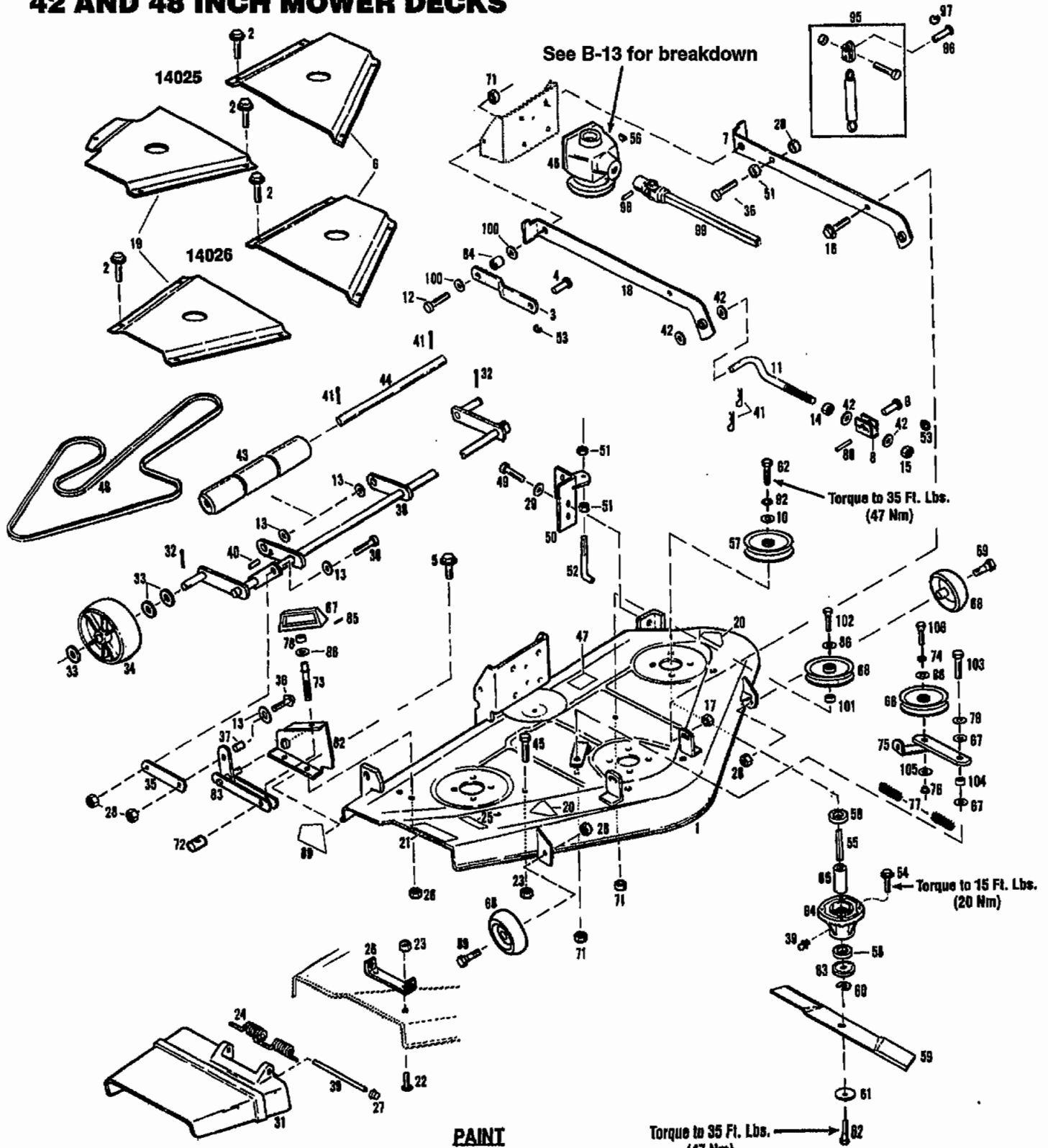


MODEL 14025  
MODEL 14026

S/N 140250100101-140250299999  
S/N 140260100101-140260299999

### 42 AND 48 INCH MOWER DECKS



MODEL 14025  
MODEL 14026

S/N 140250100101-140250299999  
S/N 140260100101-140260299999

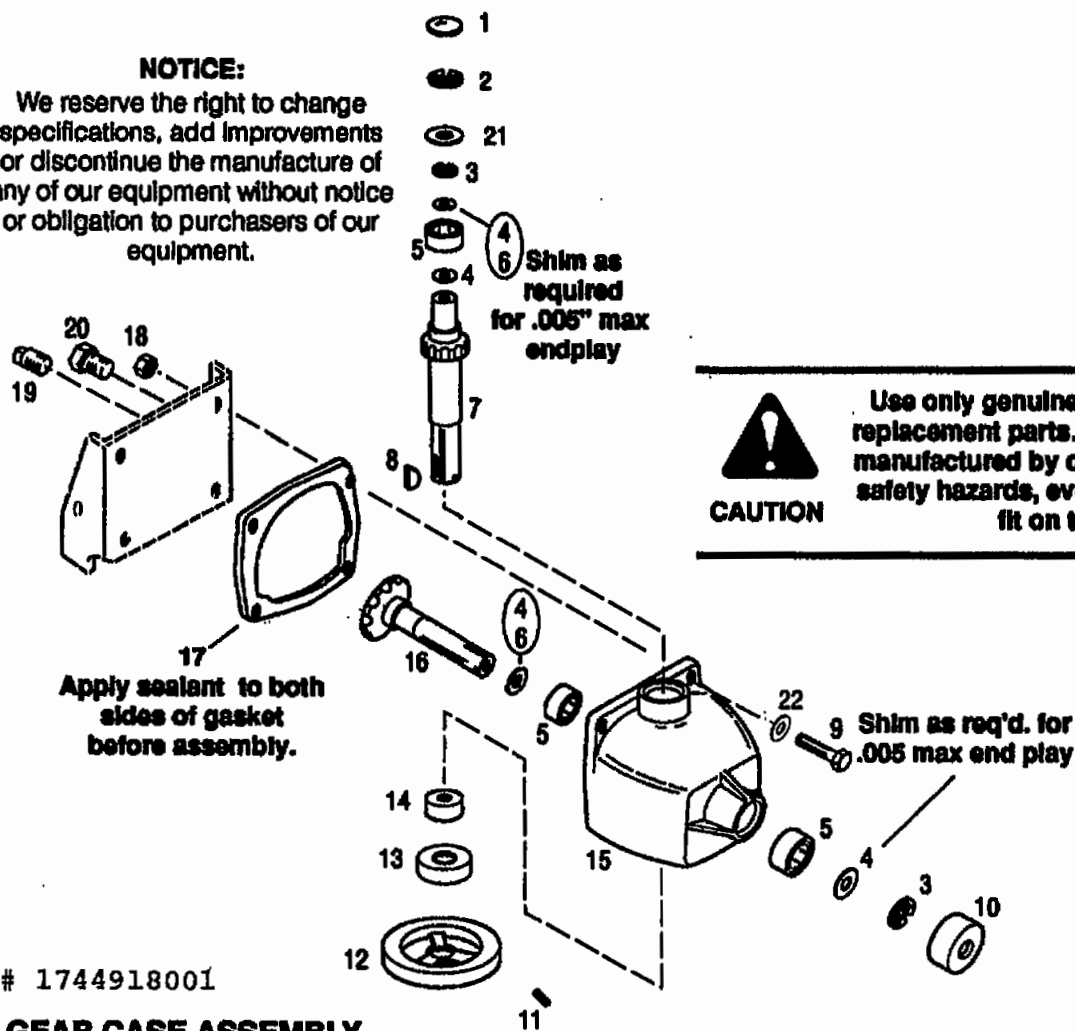
### 42 AND 48 INCH MOWER DECK

Ref.	Part	Description	Qty.	Ref.	Part	Description	Qty.
1	1764707	Base Assembly, w/ decals (14025) .....	1		1750842	V-Belt (14026).....	1
	1764704	Base Assembly, w/ decals (14026).....	1	49	1100046	Hex Head Screw, 3/8-16 x 1 .....	2
2	1724492	Thd. Form. Flange Screw, 1/4-20 x 1/2 .	7	50	1748097001	Shaft Support Assembly .....	1
3	1746189001	Drag Link .....	2	51	1185506	Jam Nut, 3/8-16 .....	4
4	1752309	Clevis Pin .....	2	52	1742328	Hook Bolt .....	1
6	1762216001	Belt Cover, Left (14025) .....	1	53	1751909	Cotter Ring .....	4
	1762137001	Belt Cover, Left (14026) .....	1	54	1766984	Thd. Form. Flange Screw, 5/16-18 x 3/4..	12
7	1764838001	Support Assembly, Left .....	1	55	1765028	Spindle Shaft .....	3
8	1746171001	Hitch Bracket .....	2	56	1104436	Woodruff Key, 3/16 x 3/4 .....	1
9	1752308	Clevis Pin .....	2	57	1765210	Sheave Assembly .....	3
10	1100265	Flat Washer, 7/16 .....	3	58	1185574	Ball Bearing .....	6
11	1746170	Hitch Link .....	2	59	1772170	Cutter Blade (14025) * .....	3
12	1100065	Hex Head Screw, 1/2-13 x 1-3/4 .....	2		1772171	Cutter Blade (14026) * .....	3
13	1107383	Flat Washer, 3/8 .....	2	60	1185849	Retaining Ring .....	3
14	1186236	Hex Nut, 3/4-10 .....	2	61	1765197	Belleville Washer .....	3
15	1120390	Locknut, 3/4-10 .....	2	62	1765196	Hex Head Screw, 7/16-14 x 1 .....	6
16	1186347	Flange Screw, 3/8-16 x 1 .....	4	63	1765029	Blade Spacer .....	3
17	1186393	Flange Nut, 3/8-16 .....	2	64	1765092	Spindle Housing .....	3
18	1764839001	Support Assembly, Right .....	1	65	1746869	Spacer .....	3
19	1765729001	Belt Cover, Right (14025) .....	1	66	1752354	Idler Pulley .....	2
	1766659001	Belt Cover, Right (14026) .....	1	67	1724929	Thrust Washer .....	2
20	1739687	Danger Decal .....	2	68	1762138	Gage Wheel .....	2
21	1763407	Danger Decal .....	1	69	1763219	Shoulder Screw, 3/8-16 .....	2
22	1736098	Carriage Bolt, 5/16-18 x 5/8 .....	2	71	1734514	Toplock Nut, 1/2-13 .....	4
23	1732499	Toplock Nut, 5/16-18 .....	4	72	1762882	Pivot .....	1
24	1756596	Torsion Spring .....	1	73	1761847	Adjusting Rod .....	1
25	1744491	Cutting Line Decal .....	1	74	1100245	Lock Washer, 1/2 .....	1
26	1728005001	Hinge Bracket .....	1	75	1752355	Idler Arm Assembly (14025) .....	1
27	1724791	Push Nut .....	2		1724923	Idler Arm Assembly (14026) .....	1
28	1733398	Toplock Nut, 3/8-16 .....	8	76	1724924	Wear Button .....	1
29	1891733	Flat Washer, 3/8 .....	2	77	1746769	Extension Spring .....	1
30	1756760	Rod .....	1	78	1762886	Spacer .....	2
31	1755750	Discharge Deflector .....	1	79	1107385	Flat Washer, 1/2 .....	5
32	1100350	Cotter Pin, 1/8 x 1 .....	3	82	1767662001	Adjusting Bracket Assembly .....	1
33	1107385	Flat Washer, 1/2 (14025) .....	8	83	1767664001	Adjusting Arm Assembly .....	1
	1107386	Flat Washer, 5/8 (14026) .....	8	85	1120210	Roll Pin, 3/16 x 1 .....	1
34	1735583	Gage Wheel (14025) .....	2	86	1890234	Flat Washer, 1/2 .....	3
	1740569	Gage Wheel (14026) .....	2	87	1754149	Height Adjusting Handle .....	1
35	1764633001	Connecting Link (14025) .....	1	88	1185597	Roll Pin, 3/16 x 1-1/8 .....	4
	1767666001	Connecting Link (14026) .....	1	89	1764635	Height Adjusting Decal .....	1
36	1100047	Hex Head Screw, 3/8-16 x 1-1/2 .....	4	92	1100244	Lock Washer, 7/16 .....	3
37	1738160	Spacer .....	2	95	1754243	Chain Sleeve Assembly .....	2
38	1764448001	Pivot Shaft Assembly (14025) .....	1	96	1708126	Clevis Pin .....	2
	1748077001	Pivot Shaft Assembly (14026) .....	1	97	1751908	Circle Cotter .....	2
39	1185976	Grease Fitting .....	3	98	1185376	Roll Pin, 3/16 x 1-1/2 .....	1
40	1177625	Drive Pin, 1/8 x 3/4 .....	1	99	1760050001	Drive Shaft Assembly .....	1
41	1100351	Cotter Pin, 1/8 x 1-1/4 .....	6	100	1100257	Flat Washer, 1/2 .....	4
42	1185830	Special Washer, 3/4 .....	15	101	1730681	Spacer .....	3
43	1765851	Roller .....	3	102	1100067	Hex Head Screw, 1/2-13 x 2 .....	1
44	1738111	Axle Roller .....	1	103	1100064	Hex Head Screw, 1/2-13 x 1-1/2 .....	1
45	1100808	Hex Head Screw, 5/16-18 x 1-1/4 .....	3	104	1728030	Sleeve Bearing .....	1
46	1744918001	Gear Case Assembly (See GRID B-13)	1	105	1103959	Flat Washer, #10 .....	1
47	1757419	Belt Drive Decal .....	1	106	1100015	Hex Head Screw, 1/2-20 x 1-1/4 .....	1
48	1754702	V-Belt (14025) .....	1	107	1735222	Black Spray Paint, Can.....	Not Included

NOTE: \*Early Production Models of 14025 and 14026 Mower Decks  
Used #1765542 and #1765548 Std. Lift Blades

### 42 AND 48 INCH MOWER DECK

**NOTICE:**  
We reserve the right to change specifications, add improvements or discontinue the manufacture of any of our equipment without notice or obligation to purchasers of our equipment.



**CAUTION**  
Use only genuine Troy-Bilt/Bolens® replacement parts. Replacement parts manufactured by others could present safety hazards, even though they may fit on this unit.

Apply sealant to both sides of gasket before assembly.

# 1744918001

### GEAR CASE ASSEMBLY

Ref #	Part #	Description	Qty.	Ref #	Part #	Description	Qty.
1	1711380	Expansion Plug .....	1	13	1185296	Oil Seal.....	1
2	1118730	Retaining Ring .....	1	14	1185280	Needle Bearing.....	1
3	1185849	Retaining Ring .....	2	15	1723754001	Gear Case .....	1
4	1728832	Shim Washer .005 .....	A/R	16	1724906	Bevel Gear, 26T.....	1
5	1724813	Ball Bearing.....	3	17	1745476	Gear Case Gasket.....	1
6	1728833	Shim .010 .....	A/R	18	1732499	Top Lock Nut, 5/16-18 .....	4
7	1724905	Output Shaft.....	1	19	1105678	Square Plug, 3/8 NPT.....	1
8	1104436	Woodruff Key, 3/16 x 3/4.....	1	20	1721442	Pressure Relief Valve .....	1
9	1100808	Hex Hd. Capcrew, 5/16-18 x 1-1/4.....	4	21	1718781	Shim .005 .....	A/R
10	1723758	Oil Seal.....	1	22	1100242	Flat Washer, 5/16 .....	4
11	1737419	Sq. Hd. Setscrew 5/16-18 x 3/4.....	1		1723456	Gear Lube, EP90 (8 oz ) .....	
12	1744919	Drive Sheave .....	1		1730118	Sealant 3 oz.....	

A/R As Required