

**MODEL 2086 (HT-20)**

**SERIAL NUMBER**

**0100101 thru 0199999**

**TRACTOR**

**ILLUSTRATED  
PARTS  
LIST**

**BOLENS®**

PORT WASHINGTON, WISCONSIN U.S.A.

# TRACTOR MODEL 2086 (HT-20)

SERIAL NUMBER 0100101 thru 0199999

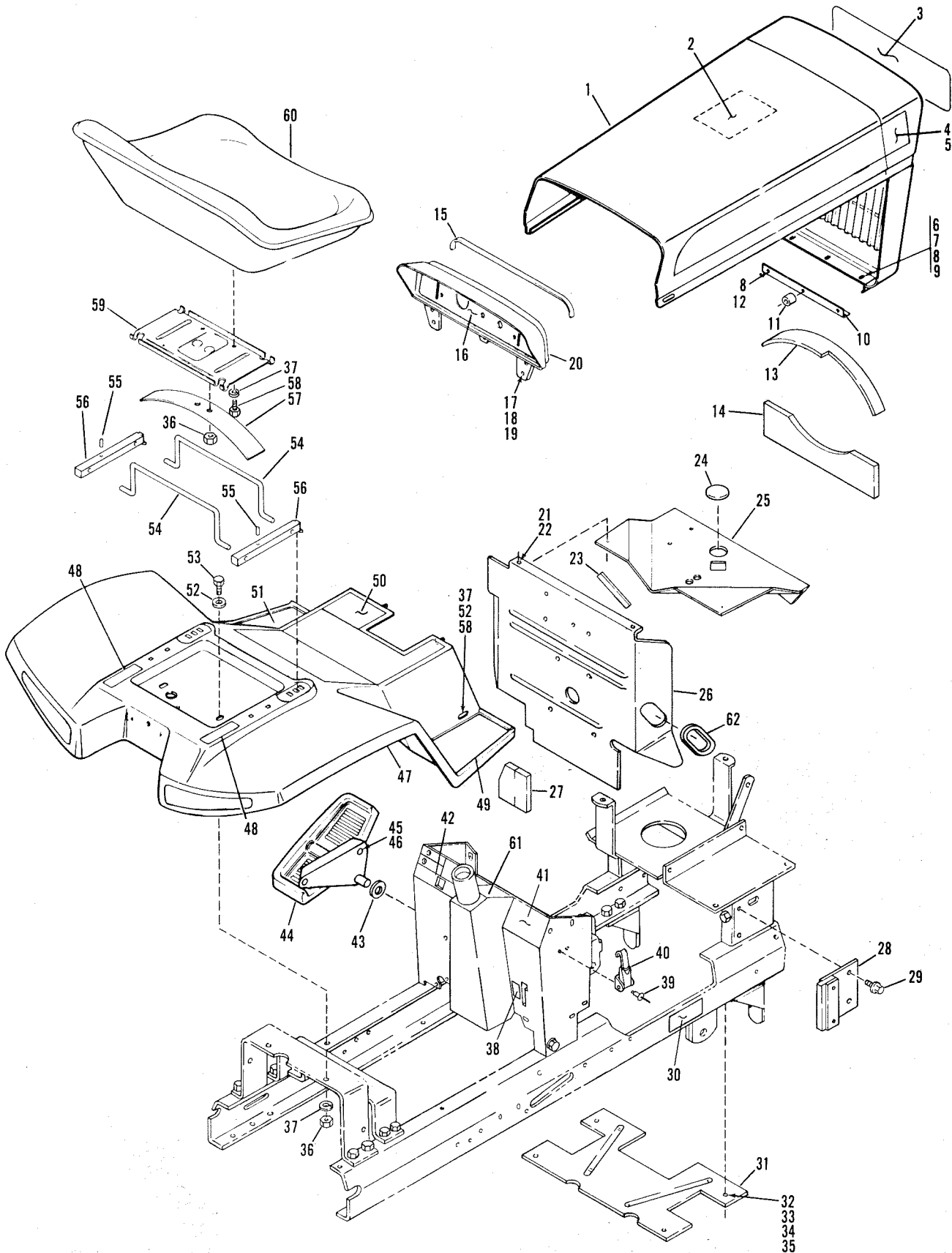


Figure 1 TRIM ASSEMBLY

# TRACTOR MODEL 2086 (HT-20)

SERIAL NUMBER 0100101 thru 0199999

## Figure 1 TRIM ASSEMBLY

REF. NO.	PART NO.	DESCRIPTION	NO. REQ'D.	REF. NO.	PART NO.	DESCRIPTION	NO. REQ'D.
1	1722558	Grille and Hood without Decals	1	32	1100055	Capscrew, 1/2-13 x 1-1/4 . . . . .	4
2	1725504	Decal, Instructions . . . . .	1	33	1100245	Lockwasher, 1/2 . . . . .	4
3	1725514	Decal, Grille . . . . .	1	34	1107385	Flat Washer, 1/2 . . . . .	4
4	1725929	Decal, Hood, Right Hand	1	35	1186233	Nut, 1/2-13 . . . . .	4
5	1725930	Decal, Hood, Left Hand . . . . .	1	36	1186231	Nut, 3/8-16 . . . . .	3
6	1103195	Capscrew, 5/16-18 x 5/8 . . . . .	3	37	1100243	Lockwasher, 3/8 . . . . .	4
7	1107382	Flat Washer, 5/16 . . . . .	3	38	1725507	Decal, PTO . . . . .	1
8	1100242	Lockwasher, 5/16 . . . . .	6	39	1186424	Rivet . . . . .	4
9	1186230	Nut, 5/16-18 . . . . .	3	40	1726328	Latch Assembly . . . . .	2
10	1717246	Hinge . . . . .	1	41	1725508	Decal, Instructions . . . . .	1
11	1722833	Spacer . . . . .	3	42	1726417	Decal, Hydraulic Control . . . . .	1
12	1100779	Capscrew, 5/16-18 x 1-3/4 . . . . .	3	43	1705092	Washer . . . . .	1
13	1726054	Heat Shield . . . . .	1	44	1724522	Foot Pedal, Left Hand . . . . .	1
14	1726055	Heat Shield . . . . .	1	45	1104007	Lockwasher, 5/16 . . . . .	2
15	1717599	Rubber Pad . . . . .	1	46	1100088	Capscrew, 5/16-18 x 1/2 . . . . .	2
16	1723506	Decal, Instructions . . . . .	1	47	1724529	Rear Fender . . . . .	1
17	1107381	Flat Washer, 1/2 . . . . .	4	48	1721369	Wear Strip . . . . .	2
18	1100241	Lockwasher, 1/4 . . . . .	5	49	1719183	Foot Pad, Right Hand . . . . .	1
19	1186229	Nut, 1/4-20 . . . . .	5	50	1724539	Decal, Instructions . . . . .	1
20	1723391	Instrument Panel . . . . .	1	51	1719182	Foot Pad, Left Hand . . . . .	1
21	1186308	Whiz-lock Capscrew, 1/4-20 x 1/2	2	52	1107383	Flat Washer, 3/8 . . . . .	2
22	1186389	Whiz-lock Nut, 1/4-20 . . . . .	2	53	1100046	Capscrew, 3/8-16 x 1 . . . . .	2
23	1726129	Deflector, Air . . . . .	1	54	1723612	Pivot Shaft . . . . .	2
24	1718180	Plug, Button . . . . .	1	55	1185277	Drive Pin, 1/4 x 3/4 . . . . .	2
25	1725931	Heat Shield . . . . .	1	56	1723608	Pivot Shaft Tie . . . . .	2
26	1726088	Heat Shield Assembly . . . . .	1	57	1723613	Leaf Spring . . . . .	1
27	1726415	Heat Shield . . . . .	1	58	1103212	Capscrew, 3/8-16 x 5/8 . . . . .	2
28	1726090	Heat Shield Assembly . . . . .	2	59	1723611	Spring Support . . . . .	1
29	1724492	Whiz-lock Screw, 1/4-20 x 1/2 . . . . .	4	60	1722474	Seat . . . . .	1
30	1727009	Decal . . . . .	2	61	1726936	Steering Column . . . . .	1
31	1725920	Deflector, Air . . . . .	1	62	1726554	Trim, Cover . . . . .	1

# TRACTOR MODEL 2086 (HT-20)

SERIAL NUMBER 0100101 thru 0199999

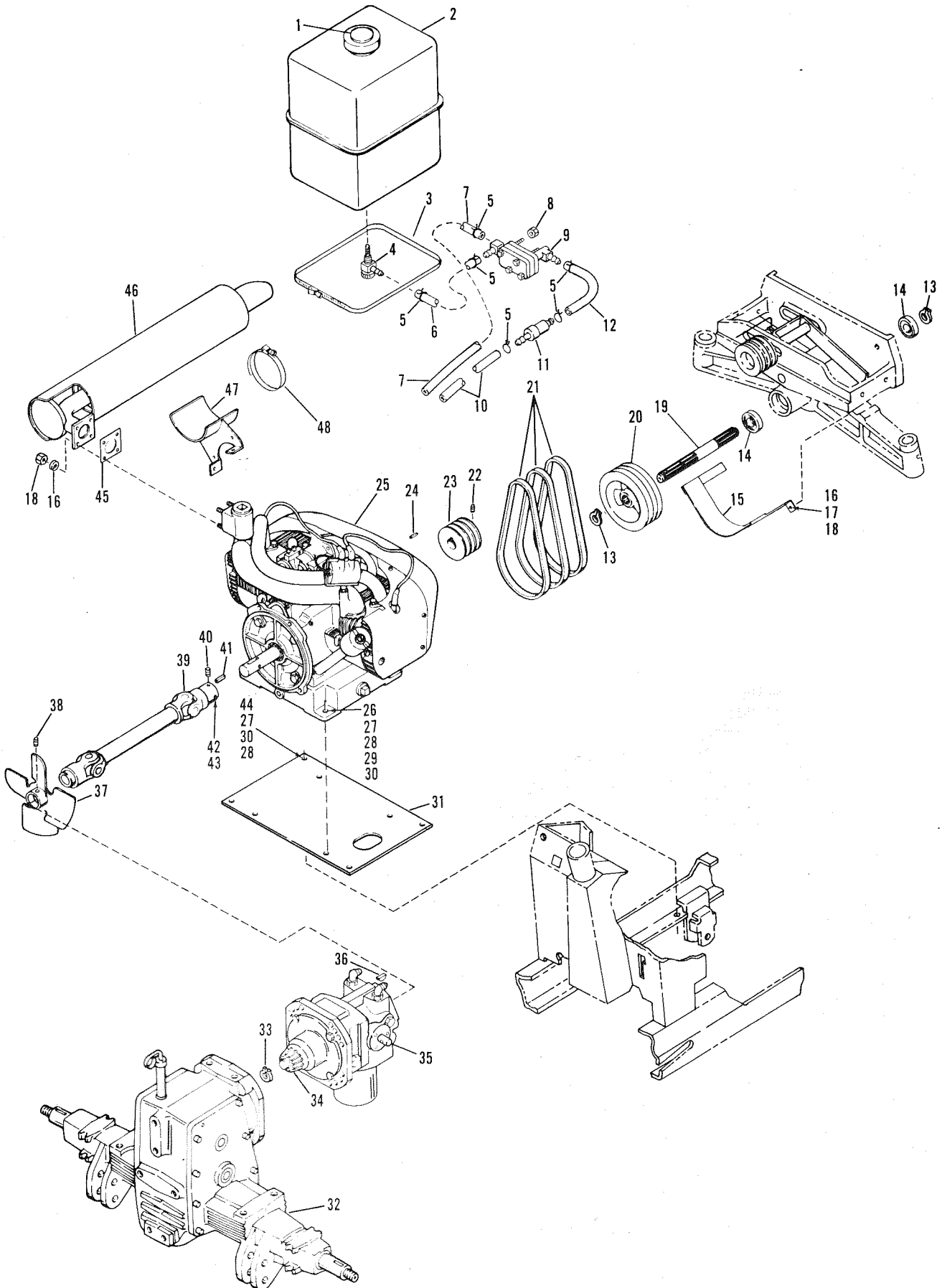


Figure 2 ENGINE and DRIVE ASSEMBLY

# TRACTOR MODEL 2086 (HT-20)

SERIAL NUMBER 0100101 thru 0199999

## Figure 2 ENGINE and DRIVE ASSEMBLY

REF. NO.	PART NO.	DESCRIPTION	NO. REQ'D.	REF. NO.	PART NO.	DESCRIPTION	NO. REQ'D.
1	1718756	Gas Tank Cap Only . . . . .	1	25	*	Kohler K532 S Engine . . . . .	1
2	1718600	Gas Tank (Incl. Ref. No. 1) . . . . .	1	26	1100065	Capscrew, 1/2-13 x 1-3/4 . . . . .	4
3	1806811	Snaplock Hose Clamp . . . . .	1	27	1100245	Lockwasher, 1/2 . . . . .	8
4	1723518	Shut Off Valve . . . . .	1	28	1107385	Flat Washer, 1/2 . . . . .	8
5	1718185	Hose Clamp . . . . .	8	29	1103997	Lockwasher, 1/2 External . . . . .	4
6	1726446	Fuel Line . . . . .	1	30	1186233	Nut, 1/2-13 . . . . .	8
7	1726449	Fuel Line . . . . .	1	31	1722559	Engine Support . . . . .	1
8	1185869	Nut, No. 8-32 . . . . .	2	32	1724200	Hydrostatic Transaxle Assy. (See Figure 3) . . . . .	1
9	1726185	Fuel Pump Assembly . . . . .	1	33	1185438	Retaining Ring . . . . .	1
		● Fuel Pump Repair Parts		34	1724078	Pinion, Bevel 18 T . . . . .	1
	1727535	● Pump Gasket . . . . .	1	**35	1724349	Hydrostatic Package . . . . .	1
	1727536	● Booster Gasket . . . . .	1	36	1186016	Hi-Pro Key . . . . .	1
	1727537	● Booster Diaphragm . . . . .	1	37	1724027	Fan . . . . .	1
	1727538	● Check Valve Diaphragm . . . . .	1	38	1100113	Set Screw, 1/4-20 x 1/2 . . . . .	1
	1727539	● Valve Spring . . . . .	2	39	1725932	Drive Shaft . . . . .	1
10	1726448	Fuel Line . . . . .	1		1724401	Drive Shaft Repair Kit (Rockwell or Weasler) . . . . .	2
11	1723521	Filter . . . . .	1		1714208	Drive Shaft Repair Kit (NEAPCO) . . . . .	2
12	1726447	Fuel Line . . . . .	1	40	1182554	Set Screw, 5/16-18 x 5/16 . . . . .	1
13	1185689	Retaining Ring . . . . .	2	41	1108844	Square Key, 1/4 x 1-1/4 . . . . .	1
14	1185100	Ball Bearing . . . . .	2	42	1111606	Capscrew, 5/16-18 x 2 . . . . .	1
15	1718497	Belt Guide . . . . .	1	43	1110107	Lock Nut, 5/16-18 . . . . .	1
16	1100242	Lockwasher, 5/16 . . . . .	6	44	1100055	Capscrew, 1/2-13 x 1-1/4 . . . . .	4
17	1100045	Capscrew, 5/16-18 x 1 . . . . .	2	45	1722530	Gasket, Exhaust . . . . .	1
18	1186230	Nut, 5/16-18 . . . . .	6	46	1722529	Exhaust Muffler . . . . .	1
19	1718568	PTO Shaft . . . . .	1	47	1722533	Support, Muffler . . . . .	1
20	1718515	PTO Sheave . . . . .	1	48	1723599	Snaplock Hose Clamp . . . . .	1
21	1722639	Drive Belt 3" (matched set of 3) . . . . .	1				
22	1103470	Set Screw, 5/16-18 x 1/2 . . . . .	1				
23	1722662	Drive Sheave . . . . .	1				
24	1108844	Square Key, 1/4 x 1-1/4 . . . . .	1				

\* Purchase Parts from your Kohler Outlet.

\*\* Available Only as a Complete Package.

# TRACTOR MODEL 2086 (HT-20)

SERIAL NUMBER 0100101 thru 0199999

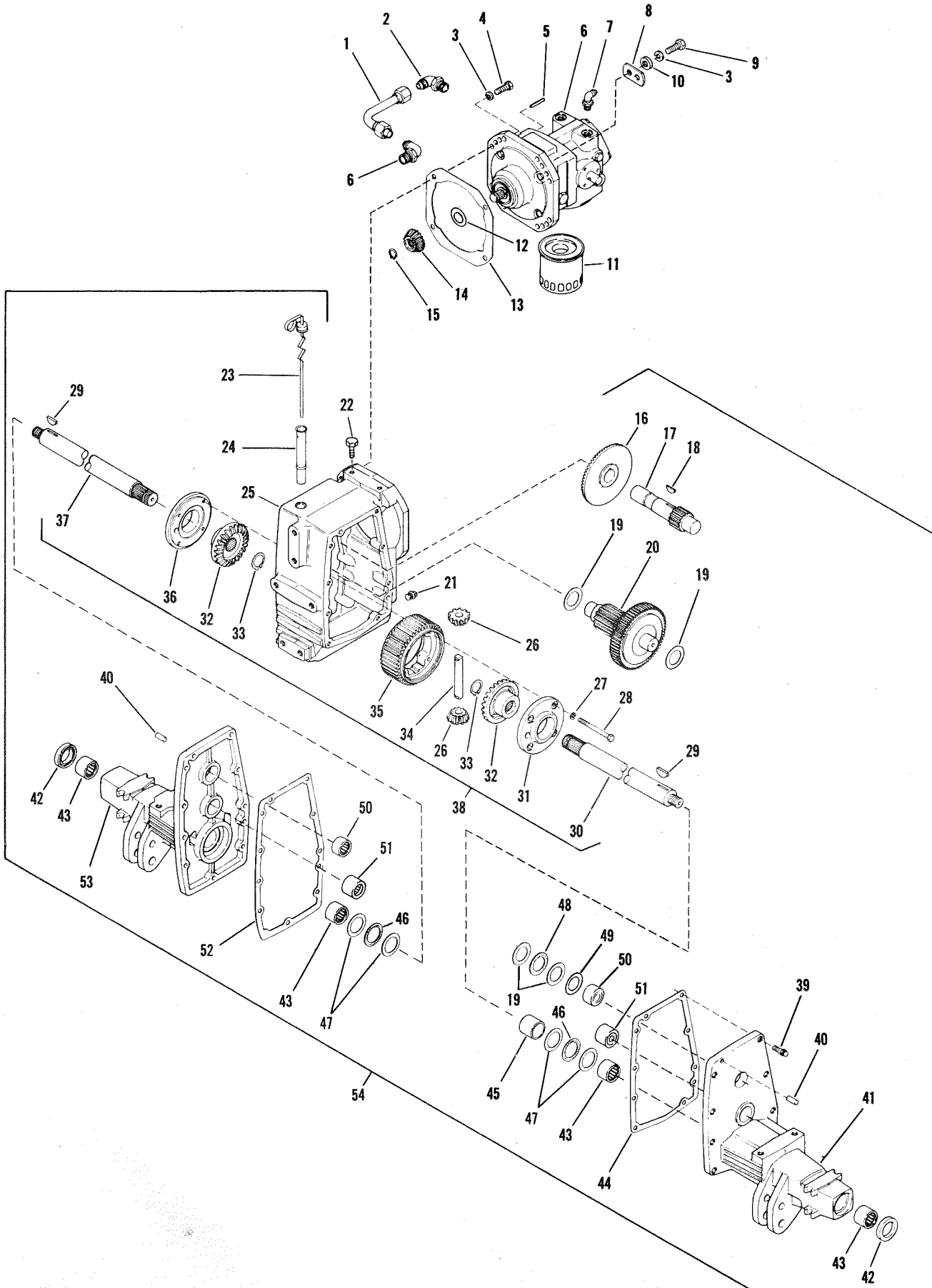


Figure 3 HYDRO and TRANSAXLE ASSEMBLY

# TRACTOR MODEL 2086 (HT-20)

SERIAL NUMBER 0100101 thru 0199999

## Figure 3 HYDRO and TRANSAXLE ASSEMBLY

REF. NO.	PART NO.	DESCRIPTION	NO. REQ'D.	REF. NO.	PART NO.	DESCRIPTION	NO. REQ'D.
*1	1724247	Tube Assembly, 37° Flare . . .	1	32	1724074	Bevel Gear, 22 T . . . . .	2
2	1724390	Fitting, 90° Elbow . . . . .	2	33	1185732	Retaining Ring, External . . . .	2
3	1100243	Lockwasher, 3/8 . . . . .	4	34	1724075	Pinion Shaft . . . . .	1
4	1100043	Capscrew, 3/8 x 1-1/4 . . . . .	3	35	1724085	Bull Gear, 44 T . . . . .	1
5	1185376	Roll Pin, 3/16 x 1-1/2 . . . . .	1	36	1724071	Carrier, Bull Gear, L.H. . . . .	1
6	1724349	Hydrostatic Package, R.H. . . . .	1	37	1724077	Axle, Left Hand . . . . .	1
7	1185737	Fitting, 90° Elbow . . . . .	2	38	1724110	Differential Assembly (Incl. Ref. Nos. 26 thru 28 & 30 thru 37)	1
8	1725415	Neutral Anchor . . . . .	1	39	1185771	Capscrew, Counterbore, 3/8-16 x 1 . . . . .	17
9	1100047	Capscrew, 3/8 x 1-1/2 . . . . .	1	40	1110189	Dowel Pin, 3/8 x 1 . . . . .	4
10	1107383	Flat Washer . . . . .	1	41	1724104	Cover, Transaxle Housing, R.H. . .	1
11	1726450	Oil Filter . . . . .	1	42	1185929	Oil Seal . . . . .	2
12	1726630	Shim, Washer . . . . .	0-3	43	1186003	Bearing, Needle . . . . .	4
13	1720282	Gasket . . . . .	1	44	1724086	Gasket, Cover, Right Hand . . . .	1
14	1724078	Pinion, Bevel 18 T . . . . .	1	45	1724094	Spacer . . . . .	1
15	1185438	Retaining Ring . . . . .	1	46	1186007	Bearing, Roller, Thrust . . . . .	2
16	1724079	Bevel Gear, 56 T . . . . .	1	47	1186006	Race, Thrust . . . . .	4
17	1724081	Pinion Shaft, 15 T . . . . .	1	48	1185764	Bearing, Roller, Thrust . . . . .	1
18	1100279	Key, Woodruff . . . . .	1	49	1718781	Shim . . . . .	2-3
19	1186002	Race, Thrust .125 . . . . .	4	50	1185774	Bearing, Needle (Closed End) . . .	2
20	1724083	Cluster Gear, 16 T and 55 T . . . .	1	51	1186010	Bearing, Needle (Closed End) . . .	2
21	1185930	Pipe Plug (Square Head Magnetic)	1	52	1724087	Gasket, Cover, Left Hand . . . . .	1
22	1100046	Capscrew, 3/8-16 x 1 . . . . .	2	53	1724106	Cover, Transaxle Housing, Left Hand . . . . .	1
23	1724093	Dip Stick . . . . .	1	54	1724200	Transaxle Assembly (Incl. Ref. Nos. 10, 16 thru 21, 23 thru 25, 38, 40 thru 45, 48 & 50 thru 53)	1
24	1724091	Tube . . . . .	1		1721514	Trans. Fluid, 2-1/2 gal.	
25	1724102	Housing, Transaxle . . . . .	1		1719650	Trans. Fluid, 1 gal.	
26	1713466	Pinion, Bevel 10 T . . . . .	2		1721599	Trans. Fluid, 1 quart	
27	1100242	Lockwasher, 5/16 . . . . .	4				
28	1186015	Capscrew, 5/16-18 x 3-1/2 H.T. . . .	4				
29	1187255	Woodruff Key, 5/16 x 1-1/4 . . . . .	2				
30	1724076	Axle, Right Hand . . . . .	1				
31	1724072	Carrier, Bull Gear, R.H. . . . .	1				

\* Available Only as a Complete Package.

# TRACTOR MODEL 2086 (HT-20)

SERIAL NUMBER 0100101 thru 0199999

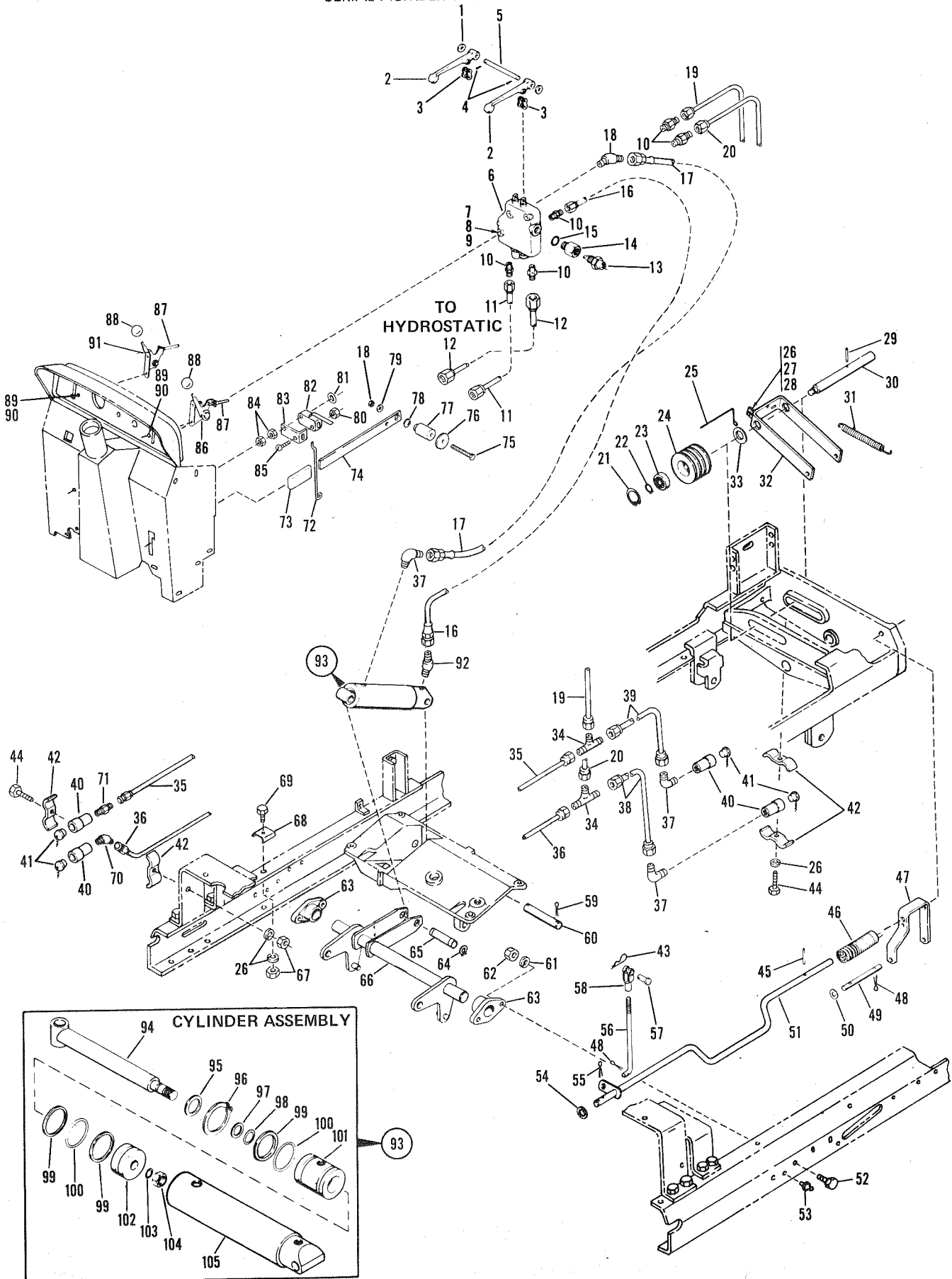


Figure 4 HAND CONTROLS and LIFT ASSEMBLY



# TRACTOR MODEL 2086 (HT-20)

SERIAL NUMBER 0100101 thru 0199999

## Figure 4 HAND CONTROLS and LIFT ASSEMBLY

REF. NO.	PART NO.	DESCRIPTION	NO. REQ'D.	REF. NO.	PART NO.	DESCRIPTION	NO. REQ'D.
1	1107382	Flat Washer, 5/16 . . . . .	2	55	1100356	Cotter Pin, 3/32 x 1 . . . . .	2
2	1722539	Lever, Control Valve . . . . .	2	56	1724458	PTO Control Rod . . . . .	1
3	1185018	Link, Connector 5/8 P. . . . .	2	57	1112587	Clevis Pin . . . . .	1
4	1100346	Cotter Pin, 3/32 x 3/4 . . . . .	2	58	222007	Clutch Yoke . . . . .	1
5	1722546	Rod, Control Valve . . . . .	1	59	1100351	Cotter Pin, 1/8 x 1-1/4 . . . . .	2
6	1722528	Control Valve Assy., 2 Spool . . . . .	1	60	1724585	Pivot Pin . . . . .	1
	1723215	Valve Repair Kit . . . . .	1	61	1100243	Lockwasher, 3/8 . . . . .	4
7	1100807	Capscrew, 1/4-20 x 2 . . . . .	2	62	1110108	Lock Nut, 3/8-16 . . . . .	4
8	1100241	Lockwasher, 1/4 . . . . .	2	63	1718593	Block Bearing . . . . .	2
9	1186229	Nut, 1/4-20 . . . . .	2	64	1113527	Retaining Ring . . . . .	2
10	1717563	Connector . . . . .	5	65	1724355	Pin, Cylinder Rod . . . . .	1
11	1724346	Return Tube Assembly . . . . .	1	66	1724357	Pivot Shaft . . . . .	1
12	1724347	Pressure Tube Assembly . . . . .	1	67	1186230	Nut, 5/16-18 . . . . .	2
13	1724584	Temperature Switch . . . . .	1	68	1722667	Clamp, Tubing . . . . .	1
14	1724358	Plug, Adapter . . . . .	1	69	1100808	Capscrew, 1/4-20 x 1-1/4 . . . . .	1
15	1185773	O-Ring . . . . .	1	70	1185903	Elbow, 45° . . . . .	1
16	1719178	Cylinder Hose Assembly . . . . .	1	71	1721989	Connector . . . . .	1
17	1719179	Cylinder Hose Assembly . . . . .	1	72	1726345	Control, Switch . . . . .	1
18	1185902	Elbow, 45° . . . . .	1	73	1715711	Handle Grip . . . . .	1
19	1722700	Tube Assembly, 37° flared . . . . .	1	74	1723304	PTO Lever . . . . .	1
20	1722701	Tube Assembly, 37° flared . . . . .	1	75	1111608	Capscrew, 5/16-18 x 2-1/2 . . . . .	1
21	1187439	Retaining Ring, Internal . . . . .	1	76	1723384	Special Washer . . . . .	1
22	1118809	Retaining Ring, External . . . . .	1	77	1723302	PTO Lever Support . . . . .	1
23	1185064	Ball Bearing . . . . .	1	78	1701411	Bowed Washer . . . . .	1
24	1719202	Idler Sheave . . . . .	1	79	1708268	Washer . . . . .	1
25	1718606	Belt Guide . . . . .	1	80	1726432	Lock Nut, No. 4-40 . . . . .	1
26	1100242	Lockwasher, 5/16 . . . . .	4	81	1726140	Speed Nut, Push On . . . . .	1
27	1103195	Capscrew, 5/16-18 x 5/8 . . . . .	1	82	1725550	PTO Switch . . . . .	1
28	1107382	Flat Washer, 5/16 . . . . .	1	83	1726346	Bracket, Switch . . . . .	1
29	1185376	Roll Pin, 3/16 x 1-1/2 . . . . .	1	84	1109764	Nut, No. 6-32 . . . . .	2
30	1718567	Idler Shaft . . . . .	1	85	1186273	Machine Screw, No. 4-40 x 5/8 . . . . .	1
31	1703615	Extension Spring . . . . .	1				
32	1718616	Idler Shaft Bail . . . . .	1	86	1723313	Throttle Control (Incl. Ref. Nos. 87 and 88) . . . . .	1
33	1107387	Flat Washer, 3/4 . . . . .	1	87	1706590	Wire Only . . . . .	2
34	1185904	Tee . . . . .	2	88	1725511	Knob Only . . . . .	2
35	1722696	Tube Assembly, 37° flared . . . . .	1	89	1116287	Machine Screw, No. 10-24 x 5/8 . . . . .	4
36	1722697	Tube Assembly, 37° flared . . . . .	1				
37	1185739	Elbow, 90° . . . . .	3	90	1185985	Nut, No. 10-24 . . . . .	4
38	1722698	Tube Assembly, 37° flared . . . . .	1	91	1723312	Choke Control (Incl. Ref. Nos. 87 and 88) . . . . .	1
39	1722699	Tube Assembly, 37° flared . . . . .	1				
40	1717627	Coupling, Body . . . . .	4	92	1725928	Elbow, 45° . . . . .	1
41	1720733	Plug, Dust . . . . .	4	93	1724520	Cylinder (Incl. Nos. 55 thru 66)	1
42	1722560	Clamp, Coupling . . . . .	4	94	1724512	Piston Rod Assembly . . . . .	1
43	1100242	Lockwasher, 5/16 . . . . .	3	95	1185266	Oil Seal . . . . .	1
44	1111606	Capscrew, 5/16-18 x 2 . . . . .	2	96	1118735	Snap Ring . . . . .	1
45	1185552	Drive Pin, 3/16 x 1-3/4 . . . . .	1	97	1186019	Ring Washer . . . . .	1
46	1722565	Torsion Spring . . . . .	1	98	1177395	O-Ring . . . . .	1
47	1718528	Control Arm . . . . .	1	99	1186018	Ring Washer . . . . .	3
48	1100346	Cotter Pin, 3/32 x 3/4 . . . . .	4	100	1186017	O-Ring . . . . .	2
49	1718533	Arm Pin . . . . .	1	101	1724511	Cylinder Head . . . . .	1
50	1107383	Flat Washer, 3/8 . . . . .	2	102	1724515	Piston . . . . .	1
51	1722564	Control Rod . . . . .	1	103	1177509	O-Ring . . . . .	1
52	1100043	Capscrew, 3/8-16 x 1-1/4 . . . . .	4	104	1110154	Lock Nut, 5/8-18 . . . . .	1
53	1185976	Grease Fitting . . . . .	2	105	1724516	Cylinder Tube . . . . .	1
54	1107385	Flat Washer, 1/2 . . . . .	2				

# TRACTOR MODEL 2086 (HT-20)

SERIAL NUMBER 0100101 thru 0199999

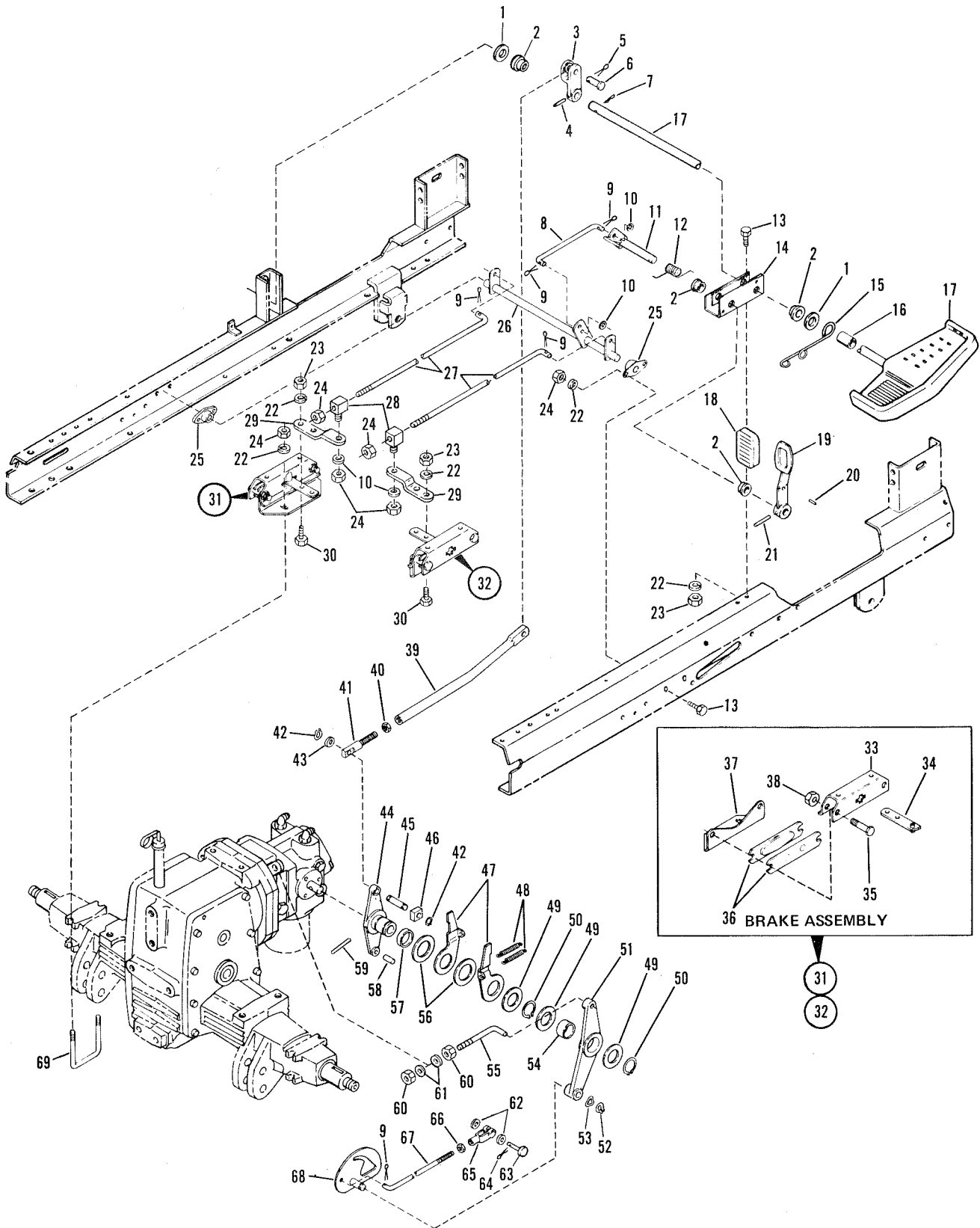


Figure 5 BRAKE and HYDRO CONTROL ASSEMBLY

# TRACTOR MODEL 2086 (HT-20)

SERIAL NUMBER 0100101 thru 0199999

## Figure 5 BRAKE and HYDRO CONTROL ASSEMBLY

REF. NO.	PART NO.	DESCRIPTION	NO. REQ'D.	REF. NO.	PART NO.	DESCRIPTION	NO. REQ'D.
1	1706594	Washer . . . . .	2	34	1724588	Lever, Actuating . . . . .	1
2	1185034	Flange Bushing . . . . .	4	35	1724590	Bolt . . . . .	2
3	1724467	Control Arm . . . . .	1	36	1724589	Stator Plate . . . . .	2
4	1713432	Drive Pin, 3/16 x 1-1/4 . . . . .	1	37	1724473	Support, Brake . . . . .	1
5	1100350	Cotter Pin, 1/8 x 1 . . . . .	1	38	1724591	Lock Nut . . . . .	2
6	1724632	Clevis Pin, 1/2 x 1-1/4 . . . . .	1	39	1724447	Control Rod . . . . .	1
7	1100351	Cotter Pin, 1/8 x 1-1/4 . . . . .	1	40	1186261	Jam Nut, 1/2-13 . . . . .	1
8	1724454	Tie Rod . . . . .	1	41	1724446	Rod End . . . . .	1
9	1100346	Cotter Pin, 3/32 x 3/4 . . . . .	3	42	1185219	Retaining Ring, External . . . . .	2
10	1107383	Flat Washer, 3/8 . . . . .	4	43	1890948	Flat Washer . . . . .	1
11	1724434	Brake Arm Assembly . . . . .	1	44	1724449	Speed Control Arm . . . . .	1
12	1724453	Torsion Spring . . . . .	1	45	1724445	Control Pin . . . . .	1
13	1100068	Capscrew, 3/8-16 x 3/4 . . . . .	6	46	1720699	Cushion Block . . . . .	1
14	1724569	Support Assembly, Control Shaft . . . . .	1	47	1725359	Neutralizer Arm . . . . .	2
15	1724623	Latch Assembly, Brake . . . . .	1	48	1724582	Extension Spring . . . . .	2
16	1721378	Spacer . . . . .	1	49	1720529	Thrust Washer . . . . .	3
17	1725413	Speed Control Pedal . . . . .	1	50	1185732	Retaining Ring, External . . . . .	2
18	1719539	Pedal Pad . . . . .	1	51	1724452	Neutral Stop Arm . . . . .	1
19	1724437	Brake Pedal . . . . .	1	52	1118804	Retaining Ring . . . . .	1
20	1120209	Roll Pin, 3/16 x 3/4 . . . . .	1	53	1706782	Wave Washer . . . . .	1
21	1185232	Drive Pin, 3/16 x 1-1/4 . . . . .	1	54	1724581	Bearing . . . . .	1
22	1100243	Lockwasher, 3/8 . . . . .	10	55	1724444	Rod, Neutral Adjuster . . . . .	1
23	1186231	Nut, 3/8-16 . . . . .	6	56	1720361	Thrust Washer . . . . .	2
24	1110108	Lock Nut, 3/8-16 . . . . .	12	57	1720706	Bearing . . . . .	1
25	1724457	Flange Bearing . . . . .	2	58	1110187	Dowel Pin . . . . .	1
26	1724440	Shaft Assembly, Transfer . . . . .	1	59	1186022	Spiral Roll Pin . . . . .	1
27	1724461	Brake Rod . . . . .	2	60	1186232	Nut, 7/16 - 14 . . . . .	2
28	1724459	Swivel . . . . .	2	61	1100265	Flat Washer, 1/4 . . . . .	2
29	1724460	Arm, Brake Extension . . . . .	2	62	1107382	Flat Washer, 5/16 . . . . .	2
30	1100046	Capscrew, 3/8-16 x 1 . . . . .	4	63	1705602	Clevis Pin, 5/16 x 1-3/16 . . . . .	1
31	1724580	Brake Assembly, L.H. (Incl. Ref. Nos. 33 thru 38) . . . . .	1	64	1100349	Cotter Pin, 1/8 x 3/4 . . . . .	1
32	1724599	Brake Assembly, R.H. (Incl. Ref. Nos. 33 thru 38) . . . . .	1	65	1710583	Rod End . . . . .	1
33	1724587	Bracket, Secondary . . . . .	1	66	1109528	Nut, 5/16-24 . . . . .	1
				67	1724455	Rod, Lock Plate Control . . . . .	1
				68	1724443	Lock Plate Assembly . . . . .	1
				69	1724468	U-Bolt, 3/8-16 . . . . .	2

# TRACTOR MODEL 2086 (HT-20)

SERIAL NUMBER 0100101 thru 0199999

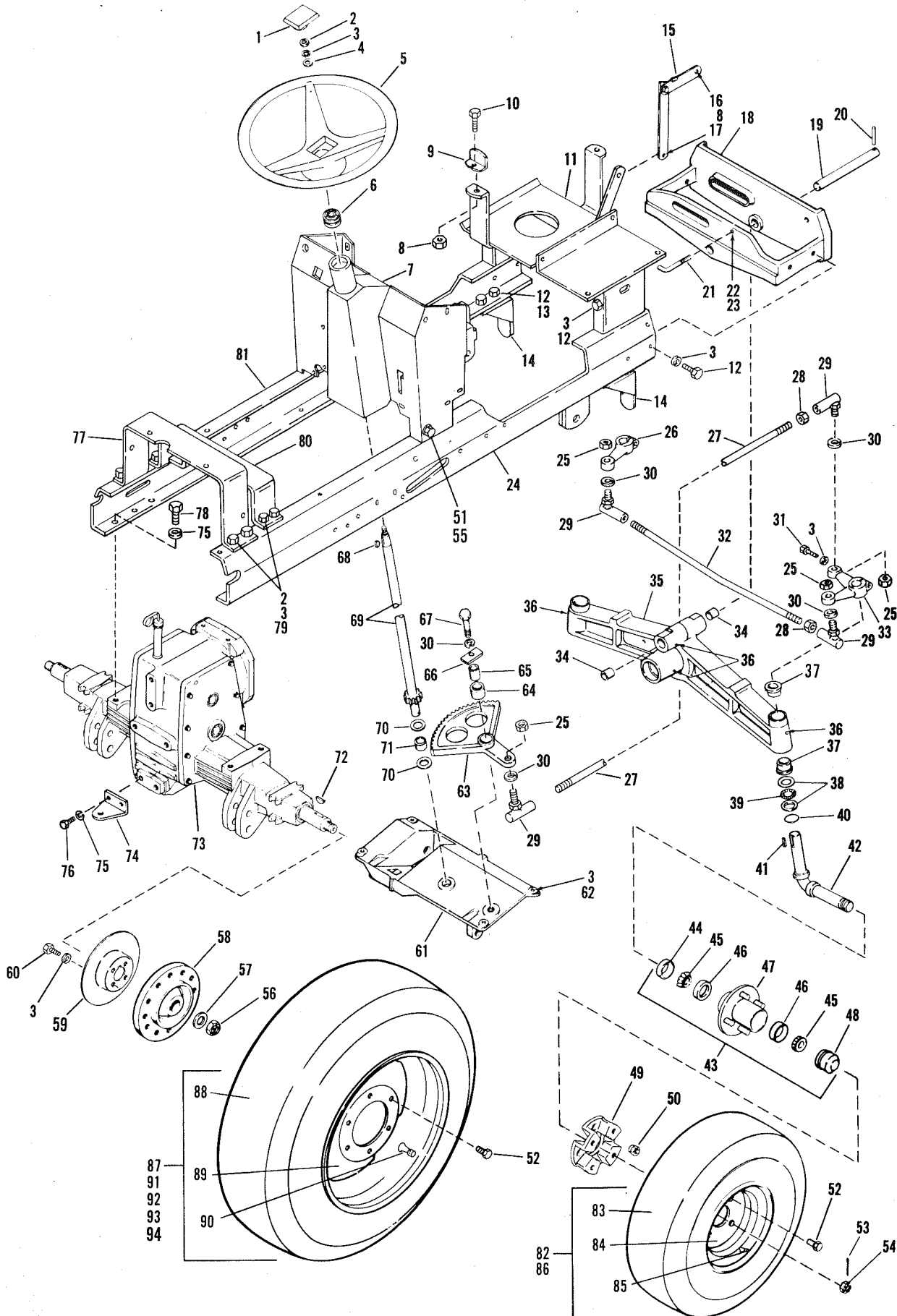


Figure 6 FRAME, STEERING and AXLE ASSEMBLIES

# TRACTOR MODEL 2086 (HT-20)

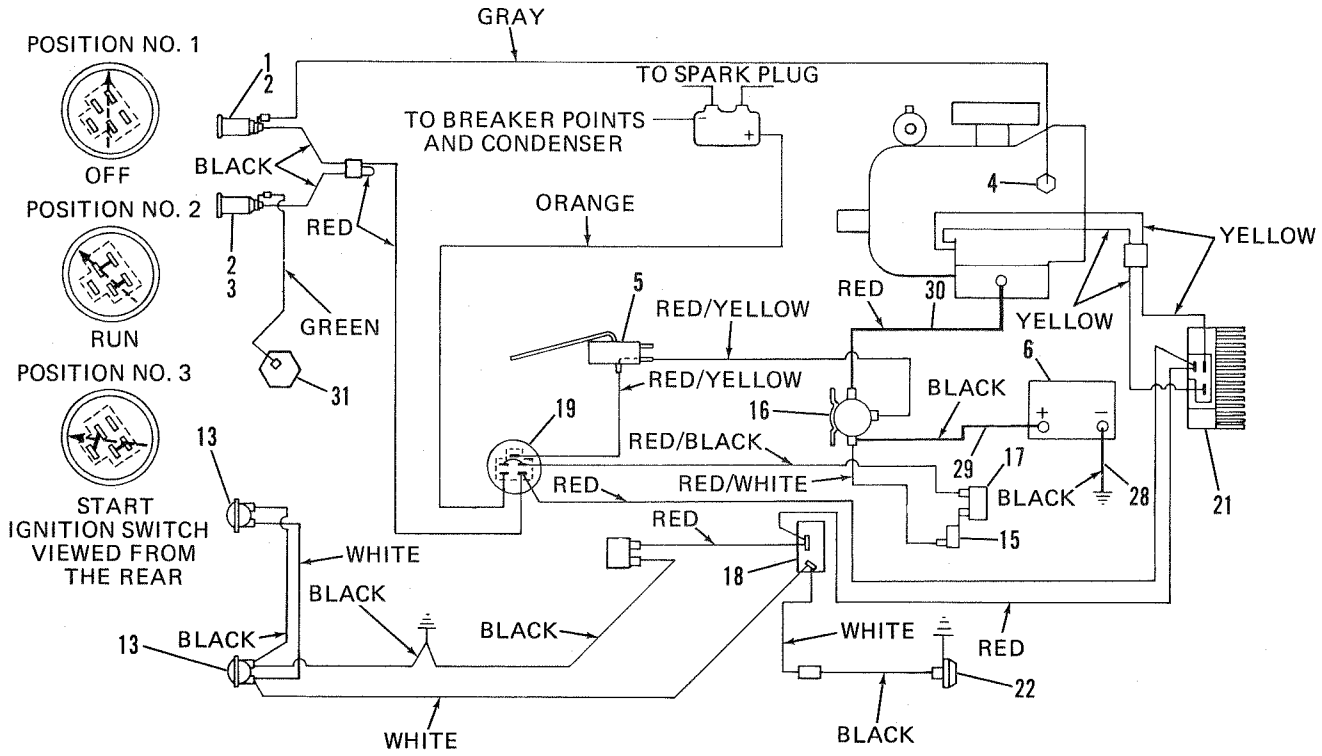
SERIAL NUMBER 0100101 thru 0199999

## Figure 6 FRAME, STEERING and AXLE ASSEMBLIES

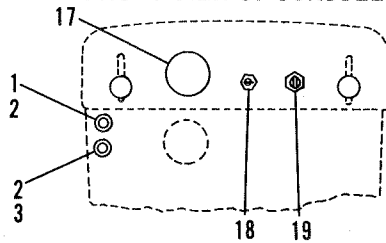
REF. NO.	PART NO.	DESCRIPTION	NO. REQ'D.	REF. NO.	PART NO.	DESCRIPTION	NO. REQ'D.
1	1725510	Steering Wheel Cap	1	69	1718588	Steering Shaft	1
2	1186231	Nut, 3/8-16	9	70	1707546	Thrust Washer	2
3	1100243	Lockwasher, 3/8	31	71	1185319	Bronze Bearing	1
4	1107383	Flat Washer, 3/8	1	72	1187255	Woodruff Key, 5/16 x 1-1/4	2
5	1721805	Steering Wheel	1	73	1724200	Transaxle Hydrostatic Assy. (See Figure 3)	1
6	1720134	Self Aligning Bearing	1	74	1724416	Drawbar	1
7	1726936	Steering Column	1	75	1100245	Lockwasher, 1/2	6
8	1110107	Lock Nut, 5/16-18	4	76	1100055	Capscrew, 1/2-13 x 1-1/4	2
9	1718543	Clip, Gas Tank	2	77	1724406	Support, Fender	1
10	1100045	Capscrew, 5/16-18 x 1	2	78	1103251	Capscrew, 1/2-13 x 1	4
11	1722681	Support, Battery and Gas Tank	1	79	1100913	Capscrew, 3/8-16 x 7/8	8
12	1100068	Capscrew, 3/8-16 x 3/4	12	80	1724465	Support, Transmission	1
13	1185715	Lockwasher, 3/8 (Pyramid)	4	81	1724496	Frame, Left Hand	1
14	1722625	Stop Assembly	2	MODEL 18028 - STD. FRONT WHEEL KIT			
15	1718500	Hood Stop Assembly	1				
16	1103195	Capscrew, 5/16-18 x 5/8	2	82	1723103	Wheel and Tire Assembly	2
17	1705905	Bowed Washer	2	83	1719153	Tubeless Tire 5.70/5.00 x 8	2
18	1722832	Support, Axle	1	84	1723111	Wheel Assembly (Incl. Ref. Nos. 44, 45, 46 and 48)	2
19	1718548	Pin, Axle Pivot	1	85	1715855	Valve Stem	2
20	1185376	Roll Pin, 3/16 x 1-1/2	2	MODEL 18027 - HI FLOATATION FRONT WHEEL KIT			
21	1719147	Belt Guide	1				
22	1100241	Lockwasher, 1/4	1	86	1723104	Wheel and Tire Assembly	2
23	1186229	Nut, 1/4-20	1		1723116	Tire 18 x 8.50 - 10	2
24	1724498	Frame, Right Hand	1		1723115	Wheel Assembly (Incl. Ref. Nos. 44, 45, 46 and 48)	2
25	1185082	Lock Nut, 5/8-18	4		1715855	Valve Stem	2
26	1718513	Steering Arm, Left Hand	1	MODEL 18018 - STD. LAWN TIRE KIT			
27	1722562	Drag Link	1	87	1721431	Wheel and Tire Assembly	2
28	1186216	Nut, 5/8-18	2	88	1717204	Tire 27 x 8.50 - 15	2
29	1719003	Ball Joint	4	89	1721432	Wheel	2
30	1100247	Lockwasher, 5/8	5	90	1718242	Valve	2
31	1107209	Capscrew, 3/8-24 x 1-1/2	2	MODEL 18019 - STD. AGRI. TIRE KIT			
32	1718575	Tie Rod	1				
33	1718502	Steering Arm, Right Hand	1	91	1721440	Wheel and Tire Assy., R.H.	1
34	1185612	Sleeve Bearing	2		1721441	Wheel and Tire Assy., L.H.	1
35	1718602	Front Axle	1		1718243	Tire 27 x 8.50 - 15	2
36	1104954	Grease Fitting	4		1721432	Wheel	2
37	1185728	Flange Bearing	4		1718242	Valve	2
38	1185730	Thrust Race	4	MODEL 18016 - TERRA LAWN TIRE KIT			
39	1185729	Thrust Bearing	2	92	1721434	Wheel and Tire Assembly	2
40	1185988	O-Ring	2		1719548	Tire 26 x 12 - 12	2
41	1104336	Square Key, 1/4 x 1	2		1721435	Wheel	2
42	1723468	Spindle Assembly	2		1718242	Valve	2
43	1723110	Wheel Hub Assembly (Incl. Ref. Nos. 44 thru 48)	2	MODEL 18017 - TERRA AGRI. TIRE KIT			
44	1719601	Felt Seal	2	93	1721437	Wheel and Tire Assy., R.H.	1
45	1185661	Cone, Roller Bearing	4		1721438	Wheel and Tire Assy., L.H.	1
46	1185660	Cup, Roller Bearing	4		1718298	Tire 26 x 12 - 12	2
47	1723106	Wheel Hub	2		1721435	Wheel	2
48	1719599	Cap	2		1718242	Valve	2
49	1723092	Wheel Spacer	2	MODEL 18020 - DUAL WHEEL KIT			
50	1724322	Wheel Nut	8	94	1721428	Wheel and Tire Assy., EXT.	2
51	1100088	Capscrew, 5/16-18 x 1/2	2		1718117	Hub Bolt	12
52	1715428	Wheel Bolt, 1/2-20	20		1717204	Tire 27 x 8.50 - 15	2
53	1104222	Cotter Pin, 3/16 x 1-1/2	2		1718242	Valve	2
54	1185758	Castle Nut, Special 1-1/4	2		1721429	Extension Wheel	2
55	1103994	Shakeproof Washer	2				
56	1120390	Lock Nut, 3/4-10	2				
57	1708599	Flat Washer	2				
58	1724089	Wheel Hub	2				
59	1724478	Disc Brake	2				
60	1106919	Capscrew, 3/8-16 x 1	8				
61	1724526	Steering Bridge	1				
62	1100046	Capscrew, 3/8-16 x 1	4				
63	1718506	Gear, 23 T	1				
64	1185711	Bronze Bearing	1				
65	1718555	Spacer	1				
66	1721405	Steering Plate	1				
67	1107064	Capscrew, 5/8-11 x 2	1				
68	1104436	Woodruff Key, 3/16 x 3/4	1				

# TRACTOR MODEL 2086 (HT-20)

SERIAL NUMBER 0100101 thru 0199999



## FRONT VIEW OF CONSOLE



## REAR VIEW OF CONSOLE

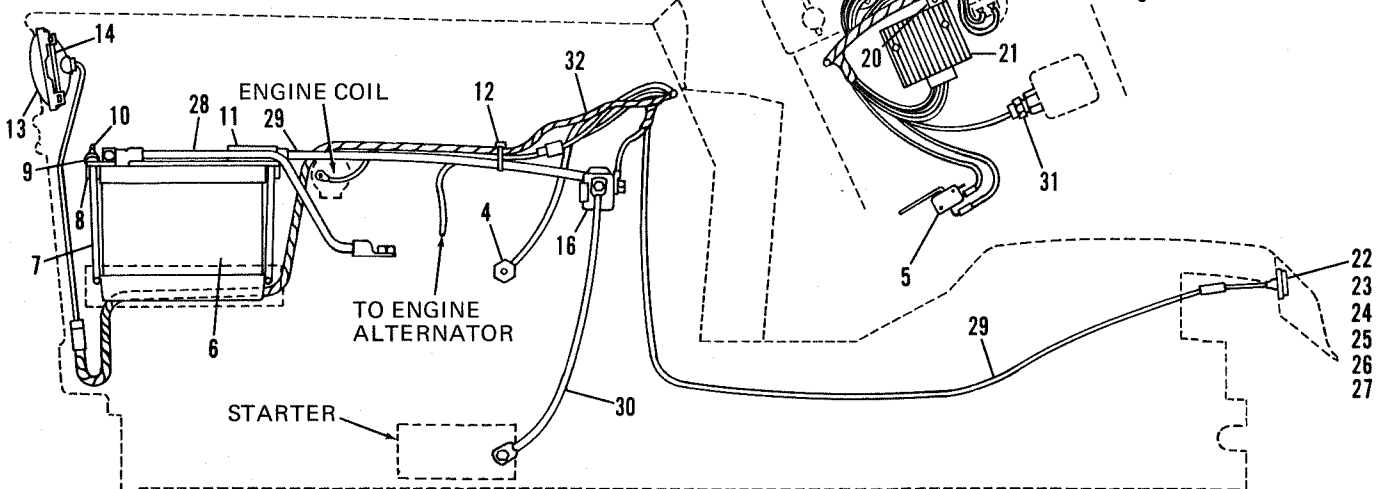
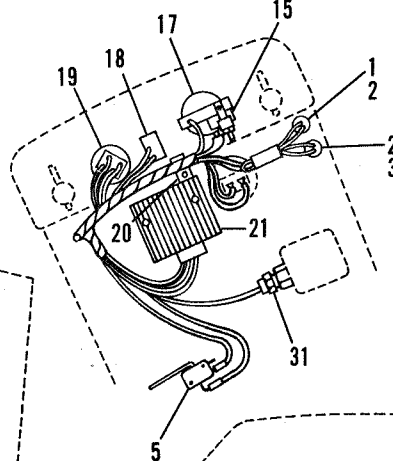


Figure 7 ELECTRICAL SYSTEM

# TRACTOR MODEL 2086 (HT-20)

SERIAL NUMBER 0100101 thru 0199999

## Figure 7 ELECTRICAL SYSTEM

REF. NO.	PART NO.	DESCRIPTION	NO. REQ'D.	REF. NO.	PART NO.	DESCRIPTION	NO. REQ'D.
1	1726174	Oil Indicator Lamp (Incl. Ref. No. 2)	1	17	1725031	Amp Meter	1
2	**	Bulb (Mfg. No. 1895 R/Red)	2	18	1724894	Light Switch	1
3	1726173	Heat Indicator Lamp (Incl. Ref. No. 2)	1	19	1721409	Ignition Switch	1
4	1726175	Oil Pressure Switch	1	20	1721252	"J" Clip	1
5	1725550	Interlock Switch	1	21	1725406	Regulator/Rectifier - 15 Amp	1
6	1718027	Battery	1	22	1805342	Tail Light Assembly (Incl. Ref. No. 23)	1
7	1724361	Rod	2	23	**	Bulb (Mfg. No. 1895)	1
8	1724360	Clamp	1	24	1805110	Tail Light Lens	1
9	1107382	Flat Washer	2	25	1116197	Machine Screw, No. 6-32 x 1/2	2
10	1806192	Wing Nut, 5/16-18	2	26	1103989	Lockwasher, No. 6	2
11	1721413	Terminal Boot	1	27	1186225	Nut, No. 6-32	2
12	1805345	Tie, Cable	6	28	1722733	Battery Cable, Ground	1
13	**	Headlight (Mfg. No. 4406)	2	29	1722732	Battery Cable, Positive	1
14	1806808	Spring Retainer	2	30	1722731	Wire, Starter	1
15	1725375	Circuit Breaker	1	31	1724584	Temperature Switch	1
16	1717048	Solenoid	1	32	1726376	Wiring Harness, Main	1

\*\* Not Stocked. Purchase from your local automotive or electrical supplier.