
MODEL 18618

Type 03

and

Serial Number

0400101

thru

0699999

**BOLENS
33 INCH
TILLER
ATTACHMENT
AND
EXTENSION
ASSEMBLY**

PARTS LIST

BOLENS 33 INCH TILLER ATTACHMENT AND EXTENSION ASSEMBLY

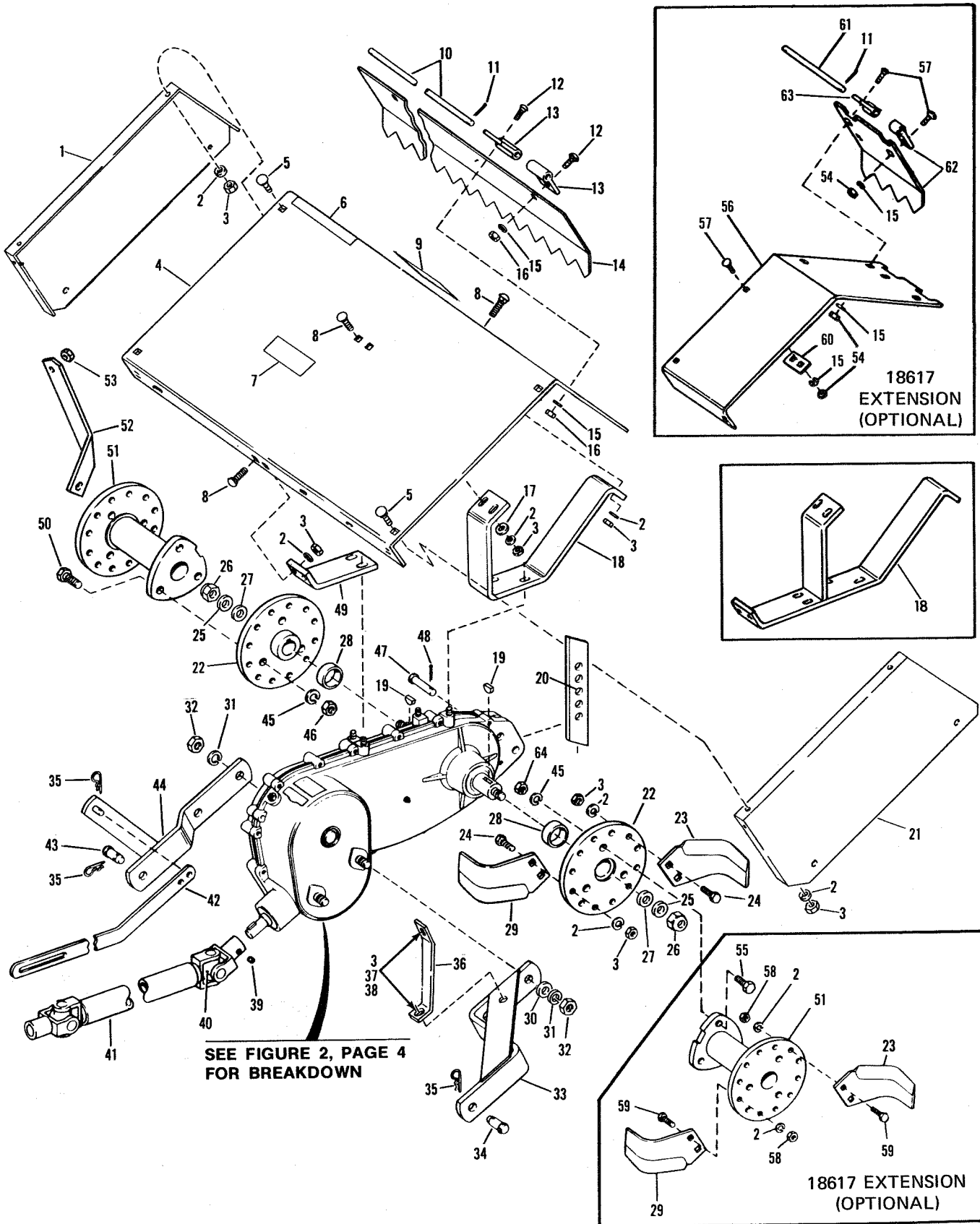


Figure 1 COMPLETE ASSEMBLY

MODEL 18618- Type 03 and Serial Number 0400101 thru 0699999
MODEL 18617- Type 01

REF. NO.	PART NO.	DESCRIPTION	NO. REQ'D.
1	1723035	Right Hand Hood	1
2	1100243	Lockwasher, 3/8	16
3	1110108	Lock Nut, 3/8-16	66
4	1723503	Hood (1) (2) (3)	1
	1729229	Hood (4)	1
5	1186126	Carriage Bolt, 3/8-16 x 3/4 ..	10
6	1725532	Decal (Logo) (1), (2)	1
	1727451	Decal (Logo) (3) (4)	1
7	1719335	Decal (Tiller Instrument) (1) .	1
8	1186128	Carriage Bolt, 3/8-16 x 1 ...	6
9	1725404	Decal (Caution)	1
10	1723031	Hinge Pin	1
11	1100346	Cotter Pin, 3/32 x 3/4	2
12	1186098	Carriage Bolt, 5/16-18 x 3/4 .	4
13	1718196	Hinge	4
14	1723504	Leveling Board	1
15	1100242	Lockwasher, 5/16	4
16	1186230	Hex Nut, 5/16-18	4
17	1107383	Flat Washer, 3/8	3
18	1719680	Rear Hood Bracket (1) (2) (3)	1
	1729222	Support Assembly (4)	1
19	1723501	Woodruff Key, 1/4 x 7/8 H.T. (1), (2)	2
	1727897	Woodruff Key, 5/16 x 1 H.T. (3) (4)	2
20	1718189	Center Shoe	1
21	1723034	Left Hand Hood	1
22	1723446	Tiller Hub, (1), (2)	2
	1727907	Tiller Hub, (3) (4)	2
23	1709388	Left Hand Bend Tine	12
24	1100043	Hex Head Capscrew, 3/8-16 x 1-1/4 H.T.	48
25	1718765	Spacer	2
26	1186435	Hex Lock Nut, 5/8-18	2
27	1800041	Spacer Washer	2
28	1718170	Sleeve	2
29	1709387	Right Hand Bend Tine	12
30	1706594	Washer, 5/8	2
31	1100247	Lockwasher, 5/8	3
32	1186235	Hex Nut, 5/8-11	3
33	1718165	Support Arm Assembly	1
34	1713553	Clevis Pin, 5/8 x 1-5/8	1
35	1703011	Spring Cotter	3
36	1723172	Hood Brace	1
37	1100048	Hex Head Capscrew, 3/8-16 x 1	3

- (1) 18618-03
- (2) Serial Number 0400101 thru 0499999
- (3) Serial Number 0500101 thru 0599999
- (4) Serial Number 0600101 thru 0699999

REF. NO.	PART NO.	DESCRIPTION	NO. REQ'D.
38	1104008	Star Washer, 3/8	3
39	1103494	Set Screw, 3/8-16 x 12	1
40	1100762	Grease Fitting	1
*41	1713550	Driveshaft	1
42	1713506	Lift Link	1
43	1713501	Clevis Pin	1
44	1718169	Support Arm Assembly	1
45	1100245	Lockwasher, 1/2	6
46	1186233	Hex Nut, 1/2-13	6
47	1708336	Clevis Pin	1
48	1100350	Cotter Pin, 1/8 x 1	1
49	1718205	Front Hood Bracket (1) (2) (3)	1
50	1100065	Hex Head Capscrew, 1/2-13 x 1-3/4	6
51	1718138	Spacer	2
52	1729246	Support Bracket (4)	1
53	1186259	Hex Nut, 3/8-16	1

**MODEL 18617-01 HOOD & TINE EXTENSION
ASSEMBLY CONSISTS OF THE FOLLOWING**

2	1100243	Lockwasher, 3/8	12
11	1100346	Cotter Pin, 3/32 x 3/4	2
15	1100242	Lockwasher, 5/16	12
23	1709388	L.H. Bend Tine	3
29	1709387	R.H. Bend Tine	3
45	1100245	Lockwasher, 1/2	3
51	1718133	Spacer	1
54	1182563	Hex Nut, 5/16-18	12
55	1107033	Hex Head Capscrew, 1/2-13 x 1-3/4	3
56	1719686	Hood Extension	1
57	1111265	Carriage Bolt, 5/16-18 x 3/4	12
58	1100010	Lock Nut, 3/8-24	12
59	1110150	Hex Head Capscrew, 3/8-24 x 1-1/4	12
60	1718207	Connector	6
61	1718199	Hinge Pin	1
62	1719687	Leveling Board Extension ...	1
63	1718197	Hinge	4
64	1121511	Hex Nut, 1/2-13	3
N.I.	1725791	Spray Paint, Black	

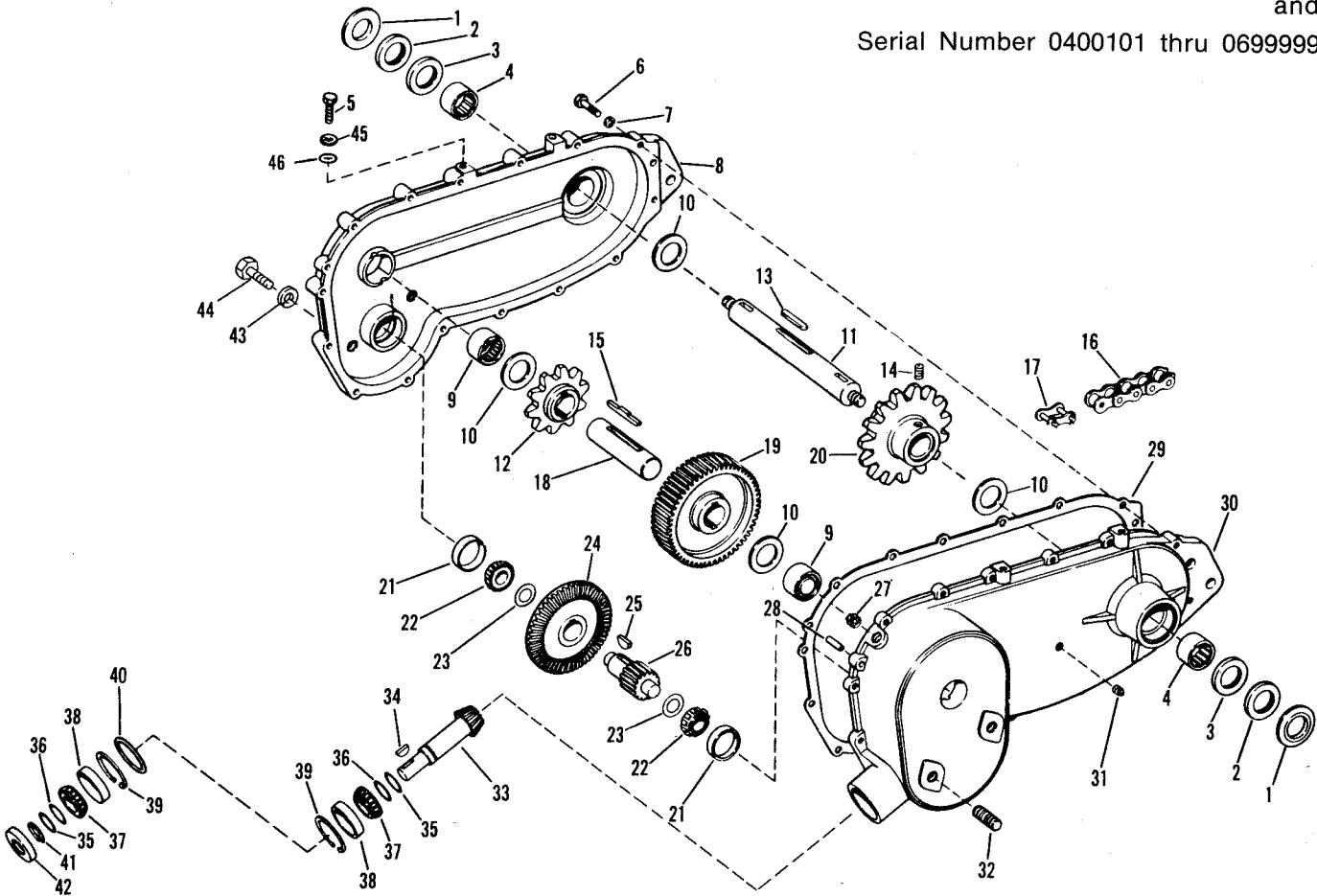
- *1714207 Repair Kit for Joint Marked 6N
- *1714208 Repair Kit for Joint Marked NEAPCO

BOLENS 33 INCH TILLER ATTACHMENT

MODEL 18618- Type 03

and

Serial Number 0400101 thru 0699999



REF. NO.	PART NO.	DESCRIPTION	NO. REQ'D.
1	1718153	Seal Washer	2
2	1185630	Oil Seal	2
3	1185629	Oil Seal	2
4	1185721	Needle Bearing	2
5	1719673	Capscrew, 3/8-16 x 1-1/4 (1) (2) (3)	4
	1100055	Capscrew, 1/2-13 x 1-1/4 (4)	4
6	1100779	Capscrew, 5/16-18 x 1-3/4	15
7	1100242	Lockwasher, 5/16	15
8	1718136	Gear Case Cover (1) (2) (3)	1
	1729285	Gear Case Cover (4)	1
9	1185720	Needle Bearing	2
10	1710530	Thrust Washer	4
11	1723444	Tine Shaft (1), (2)	1
	1727908	Tine Shaft (3) (4)	1
12	1718147	Sprocket, 10-Tooth 1 Inch Pitch	1
13	1723622	Hi Pro Key, 5/16 x 5/16 x 2	1
14	1103494	Set Screw, 3/8-16 x 1/2	1
15	1718143	Special Key	2
16	1718151	Roller Chain, 1 Inch Pitch	1
17	1718152	Roller Chain Connector	1
18	1718146	Shaft	1
19	1718210	Gear, 56 Tooth	1

REF. NO.	PART NO.	DESCRIPTION	NO. REQ'D.
20	1721591	Sprocket, 15-Tooth 1 Inch Pitch	1
21	1185276	Bearing Cup	2
22	1185275	Bearing Cone	2
23	1701446	Shim, 3/4 x .005	As Req'd
24	1718113	Bevel Gear, 51 Tooth	1
25	1708382	Woodruff Key	1
26	1718144	Pinion	1
27	1706566	Plug Assembly (1) (2) (3)	1
	1105678	Pipe Plug (4)	1
28	1185206	Drive Pin	2
29	1718142	Gasket	1
30	1718134	Tiller Case (1) (2) (3)	1
	1729287	Tiller Case (4)	1
31	1185741	Pipe Plug, 1/8 Hex Socket	1
32	1113755	Stud, 5/8-11 x 2-1/4	3
33	1718112	Pinion, 13 Tooth	1
34	1104436	Woodruff Key, 3/16 x 3/4	1
35	1701448	Shim, 1 x .005	As Req'd
36	1718193	Shim, 1 x .020	As Req'd
37	1185661	Bearing Cone	2
38	1185660	Bearing Cup	2
39	1118735	Retaining Ring	2
40	1719442	Shim, 1.978 x .005	As Req'd
41	1185689	Retaining Ring	1
42	1185687	Oil Seal	1
43	1100247	Lockwasher, 5/8	1
44	1103281	Capscrew, 5/8-11 x 2	1
45	1100243	Lockwasher, 3/8 (1) (2) (3)	4
	1100245	Lockwasher, 1/2 (4)	4
46	1107385	Flat Washer, 1/2 (4)	4
N.I.	1723456	Gear Lube, EP90	1

(1) 18618-03
 (2) Serial Number 0400101 thru 0499999
 (3) Serial Number 0500101 thru 0599999
 (4) Serial Number 0600101 thru 0699999

Figure 2 GEAR CASE ASSEMBLY

FORM P-552417-2 (1/75)

SUPERSEDES FORM P-552417-1