

# BOLENS

---

HUSKY  
TRACTOR  
MODELS 1053-01  
1053-02

## ILLUSTRATED PARTS CATALOG



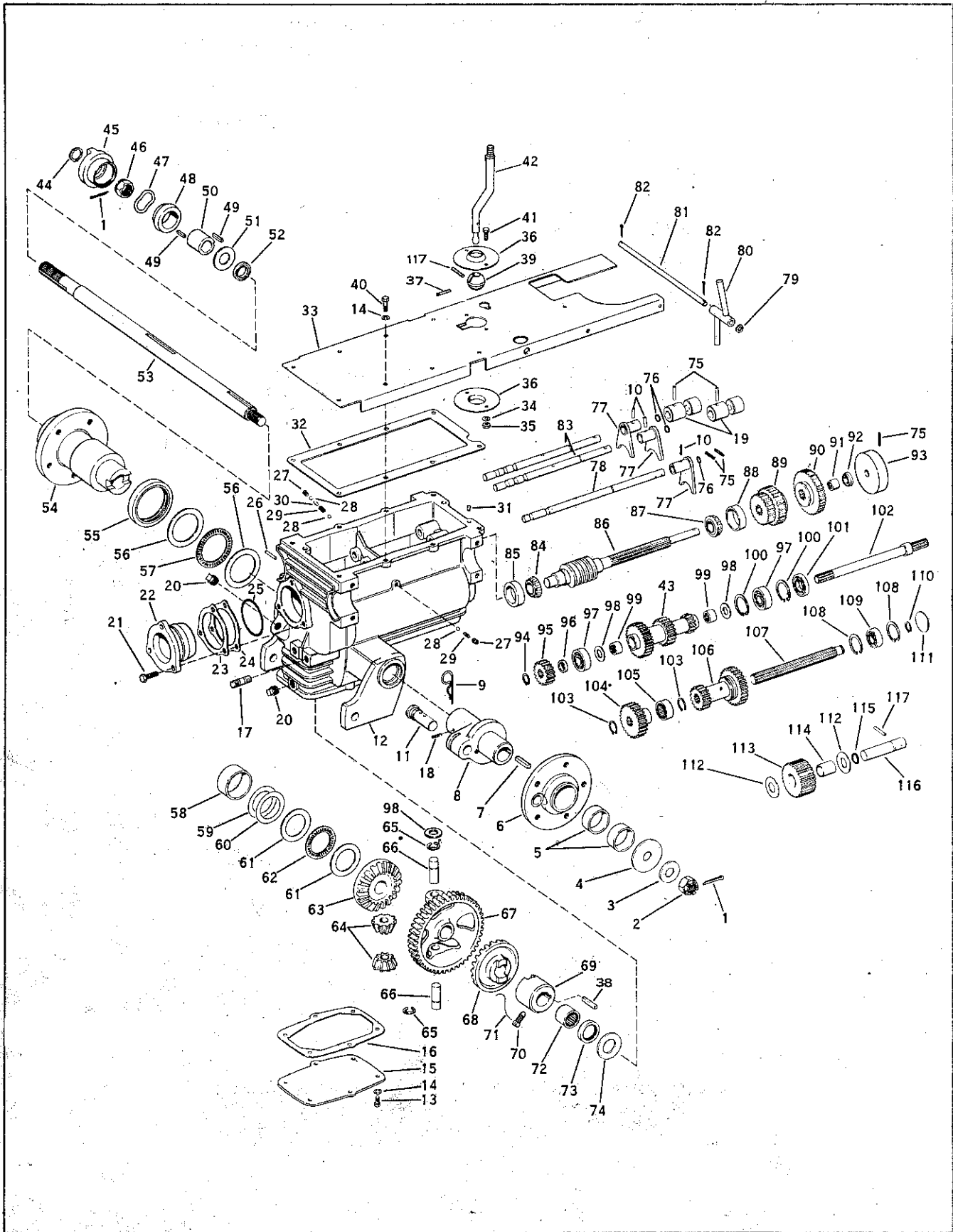
# BOLENS

PORT WASHINGTON, WISCONSIN, U.S.A.

PRINTED IN U.S.A.

FORM NO. P-552167

TRANSMISSION ASSEMBLY MODELS 1053-01 AND 1053-02  
ASSEMBLY PART NO. 1716736



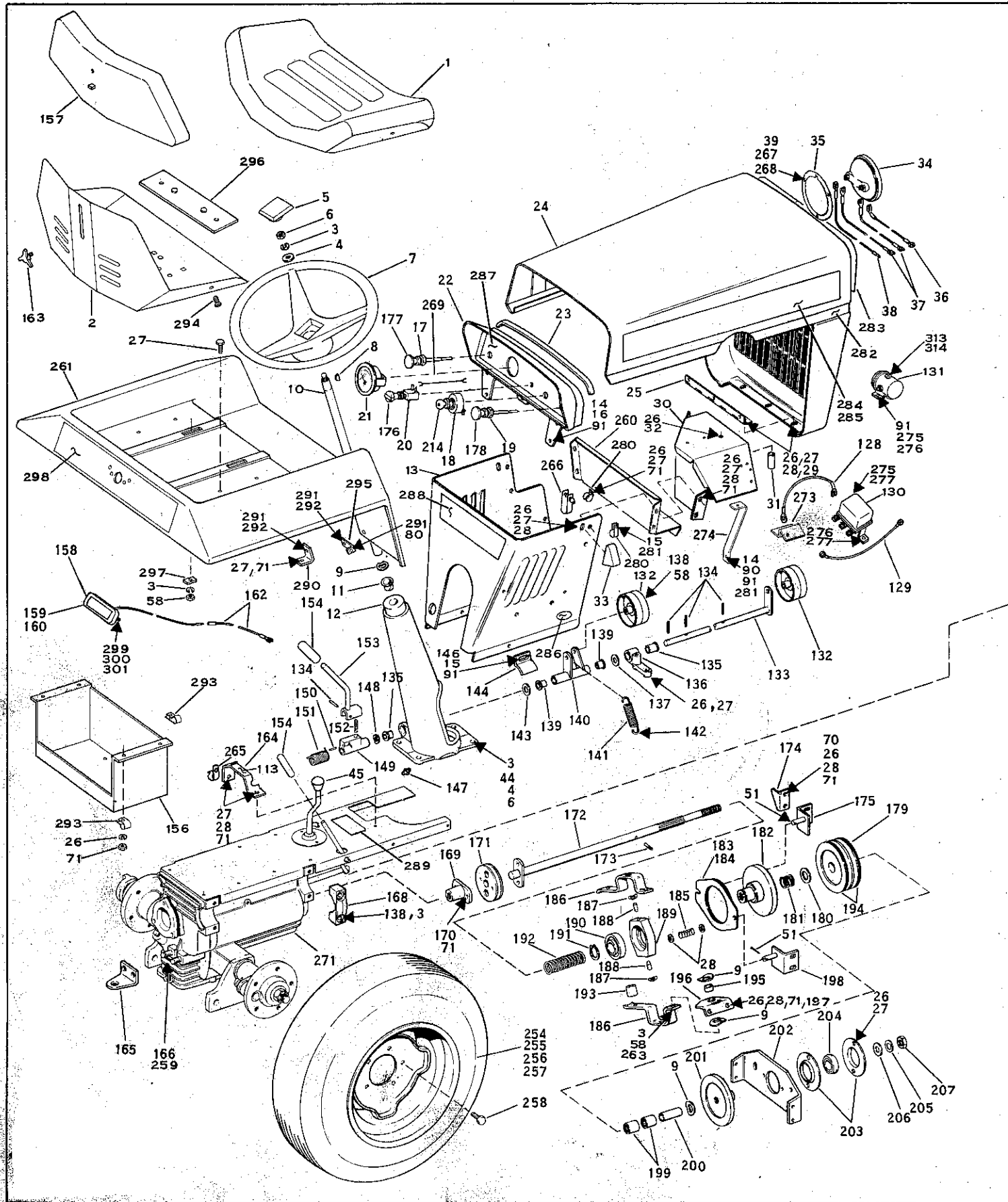
## TRANSMISSION ASSEMBLY MODELS 1053-01 AND 1053-02

Ref. No.	Part No.	Description	No. Req'd.
1	1100352	Cotter Pin 1/8 x 1-1/2	2
2	1109653	Castle Nut 3/4-16 UNF	1
3	1707410	Washer	1
4	1716502	Washer	1
5	1185646	Bronze Bearing	2
6	1716509	Free Wheeling Hub	1
7	1104337	Sq. Key 1/4 x 1/4 x 1-1/2	1
8	1716506	Drive Collar	1
9	1185590	Hitch Pin	1
10	1703066	Roll Pin 1/8 x 3/4	3
11	1713426	Lock Pin	1
12	1716517	Gear Case	1
13	1106872	Capscrew 5/16-18 x 5/8	6
14	1100242	Lockwasher 5/16	14
15	1713428	Bottom Cover	1
16	1713427	Bottom Gasket	1
17	1718067	Stud	2
18	1185409	Drive Pin 1/4 x 5/8	1
19	1713422	Connector	2
20	1105678	Plug 3/8 N. P. T.	2
21	1185637	Capscrew - Special	3
22	1716497	Bearing Cap	1
23	1716493	Shim .0125	As Req.
24	1716494	Shim .005	As Req.
25	1185636	O-Ring	1
26	1120209	Roll Pin 3/16 x 3/4	1
27	1185342	Set Screw 5/16-18 x 3/8	2
28	1713416	Ball	3
29	1713417	Compression Spring	2
30	1713421	Pin	1
31	182682	Breather	1
32	1713429	Top Gasket	1
*33	1722002	Cover Plate	1
*34	1100241	Lockwasher 1/4	2
*35	1121507	Hex Nut 1/4-20	2
*36	1713455	Bearing Retainer	2
*37	1110181	Dowel Pin	1
38	1703053	Square Key 1/4	1
*39	1722004	Pivot Ball	1
*40	1106876	Capscrew 5/16-18 x 7/8	8
*41	1106832	Capscrew 1/4-20 x 5/8	2
*42	1722005	Shift Lever	1
43	1716477	Gear & Shaft	1
44	1180025	Retaining Ring	1
45	1714564	Adjusting Nut	1
46	1120129	Hex Nut 1-14 UNF	1
47	1721357	Spring Washer	4
48	1714562	Drive Cone	1
49	1104336	Sq. Key 1/4 x 1/4 x 1	2
50	1714561	Coupling	1
51	1713468	Thrust Washer	1
52	1185295	Oil Seal	1
53	1716507	Axle	1
54	1716511	Wheel Hub	1
55	1185643	Oil Seal	1
56	1185640	Thrust Race	2
57	1185641	Thrust Bearing	1
58	1185644	Bronze Bearing	1
59	1716498	Shim .0125"	As Req.
60	1716499	Shim .005"	As Req.

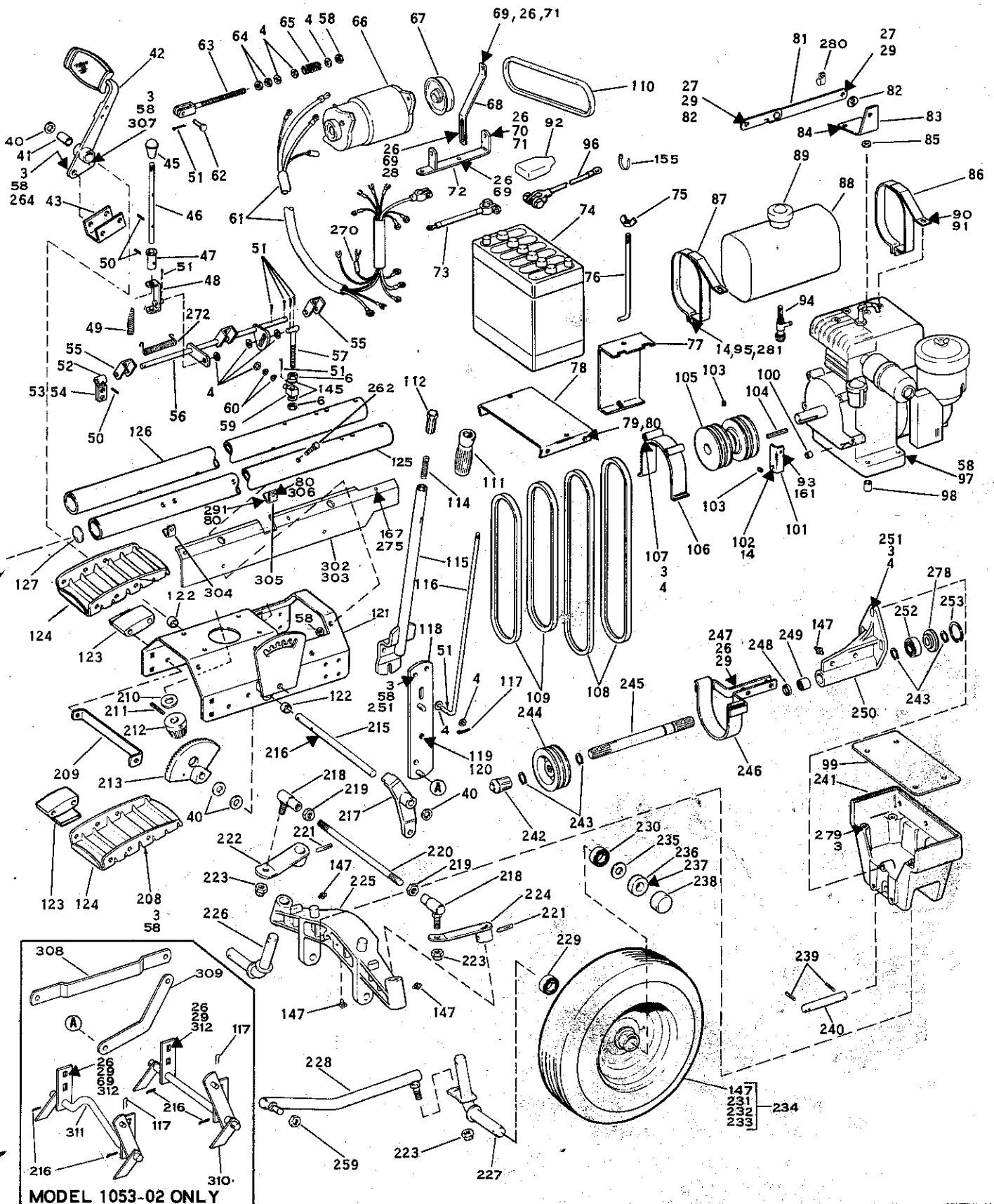
Ref. No.	Part No.	Description	No. Req'd.
61	1185638	Thrust Race	2
62	1185639	Thrust Bearing	1
63	1716501	Bevel Gear 22T	1
64	1713466	Bevel Pinion 10T	2
65	1177567	Retaining Ring	2
66	1713467	Pinion Shaft	2
67	1716513	Worm Wheel	1
68	1716689	Bevel Gear 22T	1
69	1716503	Drive Hub	1
70	1716519	Drive Screw	2
71	1716692	Locking Wire	1
72	1185645	Needle Bearing	1
73	1185642	Oil Seal	1
74	1716504	Thrust Washer	1
75	1704692	Roll Pin 1/8 x 1	5
76	1177388	O-Ring	3
77	1716489	Shifter Arm	3
78	1716514	Shifter Shaft	1
*79	1703616	Bowed Washer	1
*80	1722003	Shift Lever	1
*81	1716530	Shaft	1
*82	1100346	Cotter Pin 3/32 x 3/4	2
83	1713424	Shifter Shaft	2
84	1185201	Bearing Cone	1
85	1185202	Bearing Cup	1
86	1713408	Worm Shaft	1
87	1185275	Bearing Cone	1
88	1185276	Bearing Cup	1
89	1713439	Sliding Gear	1
90	1713409	Gear 38T	1
91	1185165	Needle Bearing	1
92	1891820	Oil Seal	1
93	1713597	Brake Drum	1
94	1185668	Retaining Ring	1
95	1716490	Gear 19T	1
96	1716495	Spacer	1
97	1185634	Ball Bearing	2
98	1712763	Washer	6
99	1185074	Needle Bearing	2
100	1700012	Retaining Ring	2
101	1185633	Oil Seal	1
102	1717125	Input Shaft	1
103	1113527	Retaining Ring	2
104	1716491	Gear 28T	1
105	1185635	Needle Bearing	1
106	1716480	Gear & Shaft	1
107	1716492	Splined Shaft	1
108	1118723	Retaining Ring	2
109	1104439	Ball Bearing	1
110	1118807	Retaining Ring	1
111	1200029	Expansion Plug	1
112	1707546	Flat Washer	2
113	1713412	Gear 28T	1
114	1185113	Bronze Bearing	1
115	1185360	O-Ring	1
116	1713419	Idler Shaft	1
117	1185232	Roll Pin 3/16 x 1-1/4	1

\*Indicates Parts Not Included With Gear Case Assembly Part No. 1716736.

# TRACTOR ASSEMBLY MODELS 1053-01 AND 1053-02



# TRACTOR ASSEMBLY MODELS 1053-01 AND 1053-02



## TRACTOR ASSEMBLY MODELS 1053-01 AND 1053-02

Ref. No.	Part No.	Description	No. Req'd.
1	1721881	Seat Cushion	1
2	1721880	Seat, Pan	1
3	1100243	Lockwasher 3/8	36
4	1107383	Flat Washer 3/8	21
5	1721804	Cap	1
6	1121509	Hex Nut 3/8-16	17
7	1721805	Steering Wheel	1
8	1104436	Woodruff Key 3/16 x 3/4	1
9	1713122	Bowed Washer	4
10	1717269	Steering Shaft	1
11	1717263	Bearing	1
12	1717258	Steering Support	1
13	1722082	Rear Panel	1
14	1100241	Lockwasher 1/4	10
15	1115931	Phillips Screw 1/4-20 x 5/8	13
16	1121507	Hex Nut 1/4-20	13
17	1717241	Choke (Inc 177)	1
18	1719143	Ignition Switch (Inc 214)	1
19	1717242	Throttle Control (Inc 178)	1
20	1717256	Light Switch (Inc 176)	1
21	1714146	Ammeter	1
22	1717249	Instrument Panel	1
23	1717599	Pad	1
24	1717220	Hood & Grill Assy w/o Decals	1
25	1717246	Hinge	1
26	1100242	Lockwasher 5/16	42
27	1106872	Capscrew 5/16-18 x 5/8	26
28	1107382	Flat Washer 5/16	30
29	1182563	Hex Nut 5/16-18	21
30	1721542	Heat Shield	1
31	1717596	Spacer	1
32	1111609	Capscrew 5/16-18 x 2-3/4	1
33	1717232	Latch	2
34	*	Headlight (GE4406)	2
35	1719708	Retaining Ring	2
36	1717394	Lead Wire	1
37	1717370	Lead Wire	2
38	1717369	Lead Wire	1
39	1185807	Rivet	6
40	1705092	Washer	4
41	1185582	Sleeve Bearing	1
42	1717372	Clutch Pedal	1
43	1717268	Lug	1
44	1106923	Capscrew 3/8-16 x 1-1/4	4
45	1715546	Knob	2
46	1716717	Brake Rod	1
47	1716718	Brake Stop	1
48	1716716	Bracket	1
49	1716724	Spring	1
50	1703066	Roll Pin 1/8 x 3/4	3
51	1100346	Cotter Pin 3/32 x 3/4	11
52	1713780	Brk Shoe Assy (Inc 53 & 54)	1
53	1713771	Lining Only	1
54	1713770	Rivet	2
55	1713772	Bracket	2
56	1716723	Brake Rod	1
57	1716719	Brake Rod	1
58	1110108	Lock Nut 3/8-16	26
59	1714663	Pivot Block	1
60	1703616	Bowed Washer	2
61	1719509	Wiring Assembly	1
62	1712587	Clevis Pin - 3/8	1
63	1712587	Clutch Rod	1
64	1712587	Lock Nut 3/8-16	2
65	1712587	Spring	1
66	1712587	Starter Generator	1
67	1708293	Pulley-Gen.	1

Ref. No.	Part No.	Description	No. Req'd.
68	1714688	Adjusting Strap	1
69	1106876	Capscrew 5/16-18 x 7/8	12
70	1106878	Capscrew 5/16-18 x 1	6
71	1110107	Lock Nut 5/16-18	26
72	1716315	Support - Generator	1
73	1716636	Lead Assembly (Ground)	1
74	1718027	Battery 45 AMP	1
75	1709652	Wing Nut 1/4-20	2
76	1718108	Clamp Rod	2
77	1720538	Clamp Batt.	2
78	1718111	Carrier Batt.	1
79	1118378	Screw 5/16-18 x 1/2	4
80	1185498	Speed Nut 5/16-18	4
81	1717236	Hood Stop	1
82	1705905	Bowed Washer	2
83	1717244	Bracket	1
84	1103204	Capscrew 5/16-18 x 2-1/2	2
85	1714720	Spacer	1
86	1714687	Tank Strap	1
87	1714685	Tank Strap	1
88	1714767	Tank (Inc 89)	1
89	1714766	Cap Only	1
90	1106832	Capscrew 1/4-20 x 5/8	3
91	1107381	Flat Washer 1/4	11
92	1721413	Batt. Term. Boot	1
93	1100240	Lockwasher #10	3
94	1718029	Tank Outlet	1
95	1114474	Fil. Screw 1/4-20 x 1-1/2	2
96	1719510	Battery Lead	1
97	1185880	Capscrew 3/8-16 x 3-3/4 H.T.	4
98	1714648	Spacer	4
99	1713394	Plate	1
100	1714721	Spacer	1
101	1716679	Bracket - Throttle Wire	1
102	1106852	Capscrew 1/4-20 x 2	1
103	1103470	Set Screw 5/16-18 x 1/2	2
104	1187474	Sq. Key 1/4 x 2-1/4	1
105	1716592	Engine Pulley	1
106	1716642	Belt Guide	2
107	1106936	Capscrew 3/8-16 x 2-1/2	2
108	1716570	Belt 42-1/2" Set of 2 (PTO)	1
109	1716571	Belt 34" Set of 2 (Engine)	1
110	1714690	Generator Belt 31 31/32	1
111	1715575	Grip	1
112	1714644	Plunger	1
113	1721072	PTO-Drive Decal	1
114	1713075	Spring	1
115	1714577	Lift Lever	1
116	1714645	Rod	1
117	1703011	Spring Cotter	3
118	1714575	Tool Lift	1
119	1107035	Capscrew 1/2-13 x 2	1
120	1185496	Jam Nut 1/2-13	1
121	1717315	Mounting Plate	1
122	1185558	Sleeve Bearing	2
123	1713474	Spacer	2
124	1713483	Foot Rest	2
125	1722014	Frame Tube RH	1
126	1722015	Frame Tube LH	1
127	1711380	Expansion Plug	2
128	1717395	Lead Wire 6"	1
129	1719511	Lead Wire Ground	1
130	1708287	Voltage Regulator	1
131	1717048	Solenoid	1
132	1716584	Idler Pulley	2
133	1716615	Control Shaft	1
134	1704692	Roll Pin 1/8 x 1	4

**TRACTOR ASSEMBLY MODELS 1053-01 AND 1053-02 (CONT.)**

Ref. No.	Part No.	Description	No. Req'd
135	1185647	Bearing	2
136	1716590	Shaft Support	1
137	1107385	Flat Washer 1/2	1
138	1106930	Capscrew 3/8-16 x 1-3/4	10
139	1715538	Flanged Bushing	2
140	1716576	Idler Arm	1
141	1716728	Spring	1
142	1185584	Cotter Pin 3/16 x 3/4	1
143	1890234	Flat Washer 1/2	1
144	1714642	Brace	2
145	1103995	Shake Proof Washer 3/8	2
146	1185456	Tinnerman Nut	2
147	1104954	Grease Fitting	5
148	1706782	Bowed Washer	1
149	1715679	PTO Pivot (Inc 150)	1
150	1120210	Roll Pin 3/16 x 1	1
151	1715680	Spring	1
152	1713391	Spring	1
153	1722013	PTO Control Lever	1
154	1721896	Grip	2
155	1805345	Tie Cable	1
156	1721893	Fender Support	1
157	1721882	Cushion-Back Rest	1
158	1805342	Taillight Assy (Inc 159 & 160)	1
159	*	Bulb (GE1895)	1
160	1805110	Lens Only	1
161	1114755	Screw #10-32 x 5/8	3
162	1718020	Lead Wire	1
163	1721883	Knob	1
164	1713472	Quadrant - PTO	1
165	1714101	Hitch	1
166	1100245	Lockwasher 1/2	2
167	1185211	Self Thd Scr 1/4-20 x 1/2	6
168	1713461	Mounting Cap	4
169	1716585	Coupling	1
170	1110818	Set Screw 5/16-18 x 3/4	4
171	1716561	Bonded Coupling	1
172	1717243	Drive Shaft	1
173	1713432	Drive Pin 3/16 x 1-1/4	1
174	1716586	Clutch Stop	1
175	1716638	Brake Bracket LH	1
176	1718231	Light Switch Knob Only	1
177	1718232	Choke Knob & Wire Only	1
178	1718233	Throttle Knob & Wire Only	1
179	1717240	Pulley Assembly (Inc 194)	1
180	1185432	Thrust Race	1
181	1716583	Spring	1
182	1716596	Clutch Flange	1
183	1716618	Brake Plate Assy (Inc 184)	1
184	1716599	Friction Disc Only	1
185	1713167	Compression Spring	2
186	1714666	Clutch Yoke	1
187	121900	Bowed Washer	As Req.
188	1110202	Dowel Pin	2
189	1714639	Bearing Retainer	1
190	1704479	Ball Bearing	1
191	1113526	Retaining Ring	1
192	1714649	Spring	1
193	1714665	Spacer	1
194	1716599	Friction Disc	2
195	1714664	Spacer	1
196	1714656	Yoke Support	1
197	1106874	Capscrew 5/16-18 x 3/4	2
198	1716637	Brake Bracket RH	1
199	1185471	Needle Bearing	2
200	1717238	Spacer	1
201	1716598	Clutch Flange	1

Ref. No.	Part No.	Description	No. Req'd
202	1717293	Bearing Support	1
203	1185588	Bearing Flange	2
204	1185587	Self Aligning Bearing	1
205	1100246	Lockwasher 9/16	1
206	1185023	Flat Washer 9/16	1
207	1110153	Lock Nut 9/16-18	1
208	1106940	Capscrew 3/8-16 x 3	4
209	1713397	Support	1
210	1708012	Flat Washer	1
211	1185284	Drive Pin 1/4 x 2	1
212	1713811	Steering Pinion	1
213	1713809	Steering Gear	1
214	1718266	Key Only	1
215	1714840	Cross Shaft	1
216	1100350	Cotter Pin 1/8 x 1	6
217	1716563	Steering Arm	1
218	1713361	Ball Joint	2
219	1103926	Jam Nut 1/2-20	2
220	1713385	Tie Rod	1
221	1891696	Drive Pin 5/16 x 1-1/2	2
222	1713377	Steering Lever LH	1
223	1110152	Self Locking Nut 1/2-20	3
224	1713378	Steering Lever RH	1
225	1716697	Axle	1
226	1716953	Spindle LH	1
227	1716952	Spindle RH	1
228	1717462	Drag Link	1
229	1185616	Ball Bearing	2
230	1185615	Ball Bearing	2
231	1715855	Valve Stem Assembly	2
232	1715789	Wheel Only	2
233	1717441	Tire 16 x 6:50 x 8	2
234	1717357	Wheel & Tire (229 thru 233)	2
235	121898	Washer	4
236	1716197	Set Collar	2
237	1187857	Cap Screw 1/4-20 x 1	2
238	1715899	Dust Cap	2
239	1185232	Drive Pin 3/16 x 1-1/4	2
240	1713383	Axle Pivot	1
241	1717270	Axle Support	1
242	1714132	Rubber Tip	1
243	1185649	Retaining Ring	4
244	1716594	Pulley	1
245	1721597	Shaft - P. T. O. (Inc 278)	1
246	1716647	Belt Guide	1
247	1106880	Capscrew 5/16-18 x 1-1/8	2
248	1185224	Oil Seal	1
249	1185010	Needle Bearing	1
250	1715785	Support Housing	1
251	1106921	Capscrew 3/8-16 x 1-1/8	5
252	1185605	Ball Bearing	1
253	1118730	Retaining Ring	1
254	1715866	Wheel & Tire (Inc 255-257)	2
255	1715787	Wheel Only	2
256	1715856	Tubeless Tire 8 x 12	2
257	1716011	Valve Stem Assembly	2
258	101085	Hub Bolt	10
259	1110152	Self Locking Nut 1/2-20	3
260	1720773	Heat Shield	1
261	1721846	Rear Fender	1
262	1106938	Capscrew 3/8-16 x 2-3/4	7
263	1106927	Capscrew 3/8-16 x 1-1/2	2
264	1117713	Screw Flat Hd 3/8-16 x 1	1
265	1719514	Open Tube Clip	2
266	1719512	Tie Band	1

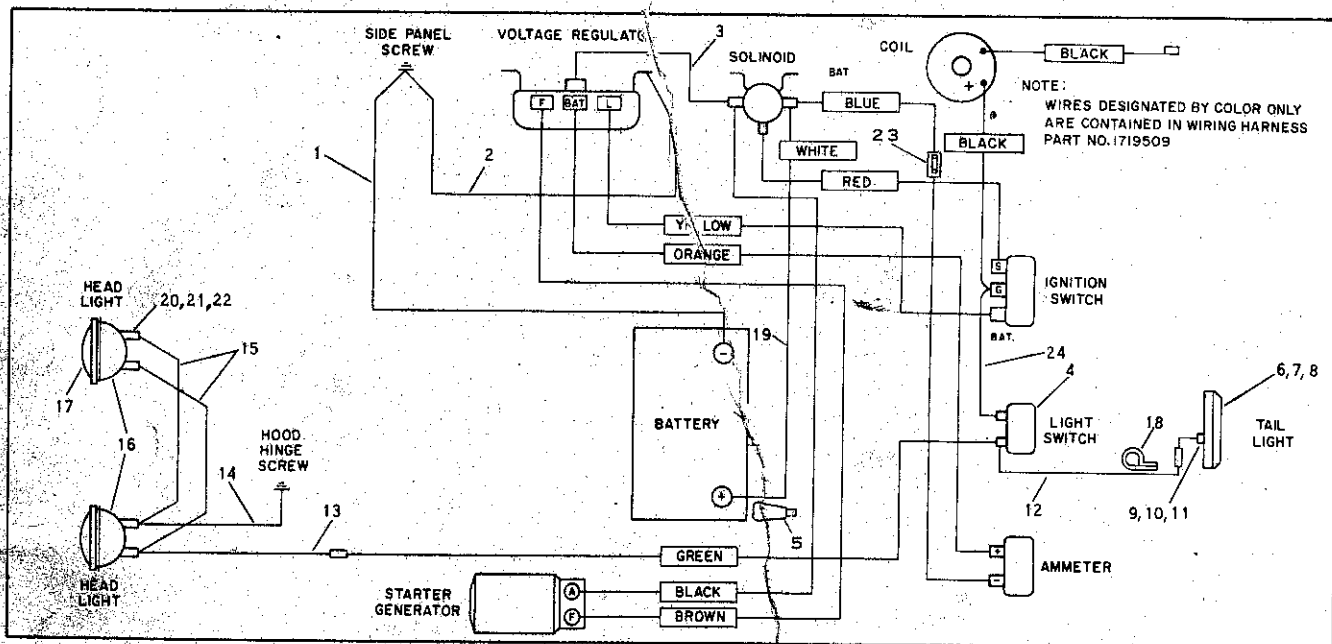
\*Not stocked. Purchase from your local automotive or electrical supplier.

## TRACTOR ASSEMBLY MODELS 1053-01 AND 1053-02 (CONT.)

Ref. No.	Part No.	Description	No. Req'd
267	1185748	Wave Washer	6
268	1185746	Spring Clip	6
269	1722063	Lead Wire	1
270	1720976	Fuse 20 AMP	1
271	1716736	Gear Case Assembly	1
272	1721253	Torsion Spring	1
273	1721540	Regulator Support	1
274	1721659	Heat Shield Support	1
275	1187612	Lockwasher 1/4	10
276	1185854	Self Tap Screw #14 - 1/2	3
277	1100118	Screw 1/4 - 20 x 1/2	1
278	1721590	Seal Washer	1
279	1111614	Capscrew 3/8-16 x 3/4 HT	4
280	1721037	Cable Clip	4
281	1110106	Lock Nut 1/4-20	5
282	1717859	Tape Strip (68" LG)	1
283	1721386	Decal (Trade Mark)	1
284	1722009	Decal (Hood RH)	1
285	1722010	Decal (Hood LH)	1
286	1721657	Decal (Speed)	2
287	1721075	Decal (Instrument Panel)	1
288	1721272	Decal (Instructions)	1
289	1721069	Decal (Shift Pwr Rng Brk)	1
290	1722016	Fender Support Bracket	2

Ref. No.	Part No.	Description	No. Req'd
291	1185875	Screw 5/16-18 x 3/8	10
292	1185873	Speed Nut 5/16-18	4
293	1704930	Clamp - Taillight Wire	2
294	1185870	Sems Screw 1/4-20 x 1/2	3
295	1722017	Fender Support Lower	2
296	1721879	Seat Bracket	1
297	1721876	Reinforcing Plate	2
298	1721889	Decal (Reflector)	1
299	1116197	Screw #6-32 x 1/2	2
300	1103989	Lockwasher	2
301	1109764	Nut #6-32	2
302	1722040	Side Panel RH	1
303	1722041	Side Panel LH	1
304	1722019	Panel Support Rear	2
305	1722018	Panel Support Front	2
306	1106870	Capscrew 5/16-18 x 3/8	6
307	1106919	Capscrew 3/8-16 x 1	1
308	1720 480	Link (1053-02 only)	1
309	1720 479	Control Link (1053-02 only)	1
310	1720 492	Lift Arm Frt (1053-02 only)	1
311	1720 493	Lift Arm Rear (1053-02 only)	1
312	1100 255	Fl Wash 5/16 (1053-02 only)	8
313	1109 845	Hex Nut #10-32	1
314	1722 393	Screw Tip Cover	1

### DUAL LIGHT GROUP - WIRING DIAGRAM



Ref. No.	Part No.	Description	No. Req'd
1	1716636	Lead Assembly (Ground)	1
2	1719511	Lead Wire (Ground)	1
3	1717395	Lead Wire 6" Long	1
4	1717256	Light Switch	1
5	1721413	Batt. Term. Boot	1
6	1805342	Taillight Assembly (Inc 7 & 8)	1
7	*	Bulb (GE1895)	1
8	1805110	Lens Only	1
9	1103989	Lockwasher #6	2
10	1109764	Nut #6-32	2
11	1116197	Screw #6-32 x 1/2	2
12	1718020	Lead	1

Ref. No.	Part No.	Description	No. Req'd
13	1717369	Lead Headlight	1
14	1717394	Lead Headlight	1
15	1717370	Lead Headlight	2
16	1719708	Retaining Ring	2
17	*	Headlight Bulb (GE4406)	2
18	1704930	Clamp	2
19	1719510	Battery Lead	1
20	1185746	Ratchet Plate	6
21	1105809	Rivet	6
22	1185748	Wave Washer	6
23	1720976	Fuse 20 AMP	1
24	1722063	Lead Wire	1

\*Not stocked. Purchase from your local automotive or electrical supplier.