

BOLENS



**TRACTOR
MODEL 1886-01**

SEE MODEL 18089 PARTS LIST FOR POWER
STEERING REPLACEMENT PARTS

ILLUSTRATED PARTS CATALOG

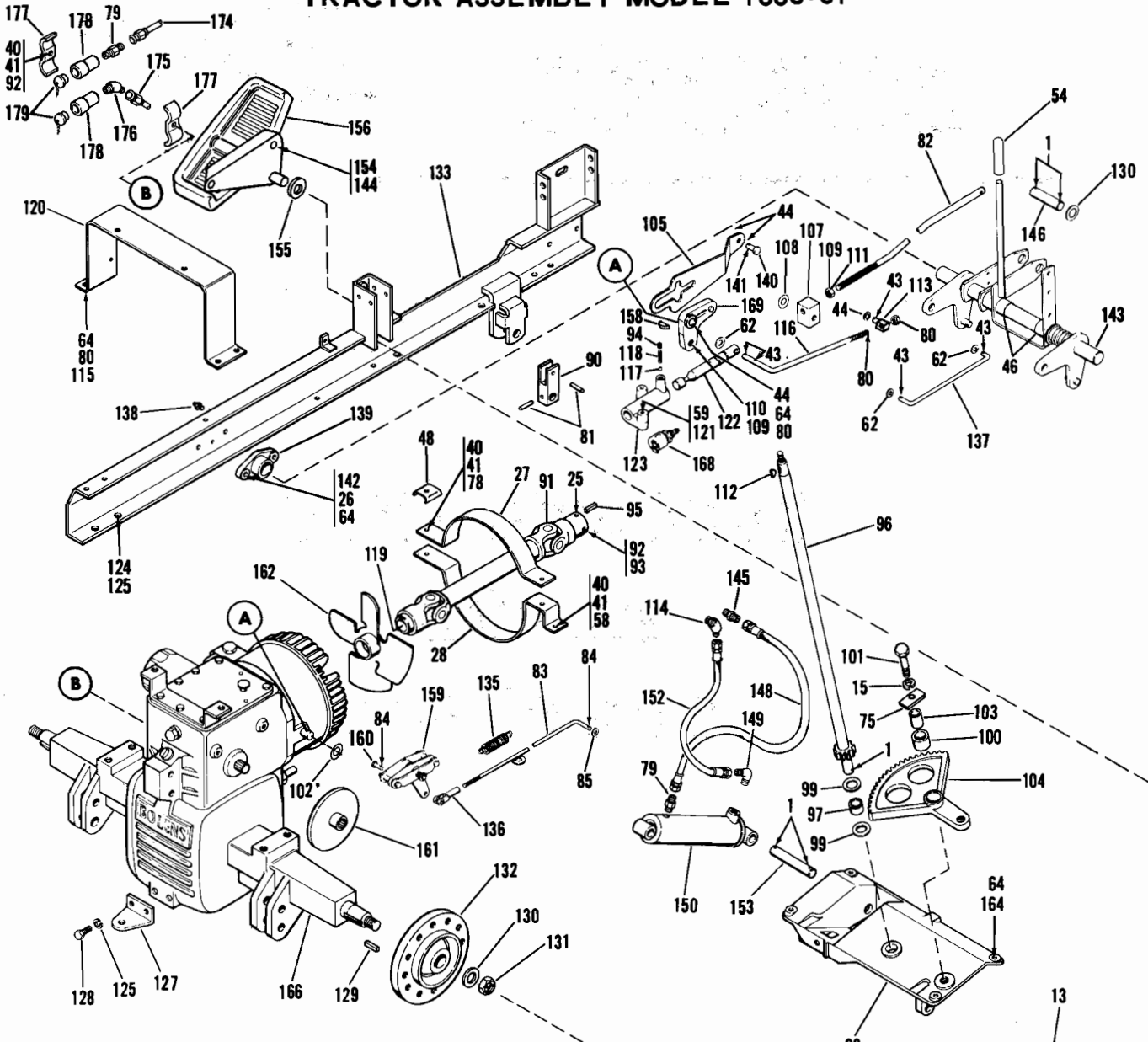


BOLENS

PORT WASHINGTON, WISCONSIN, U.S.A.
PRINTED IN U.S.A.

FORM NO. P-552230 1/71

TRACTOR ASSEMBLY MODEL 1886-01



BRAKE ASSEMBLY
(REF. NO. 159)

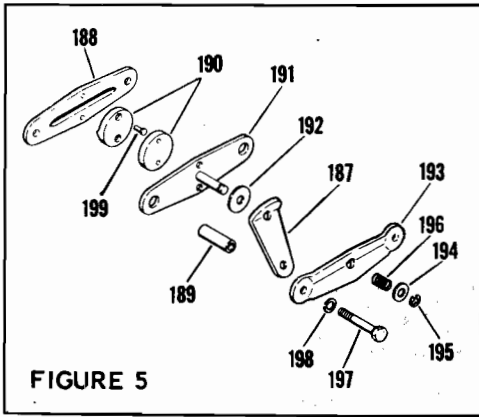


FIGURE 5

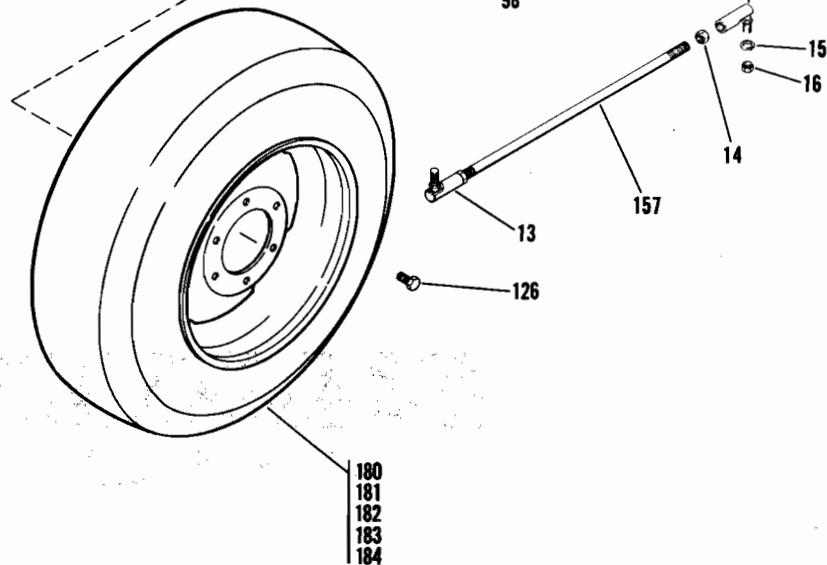
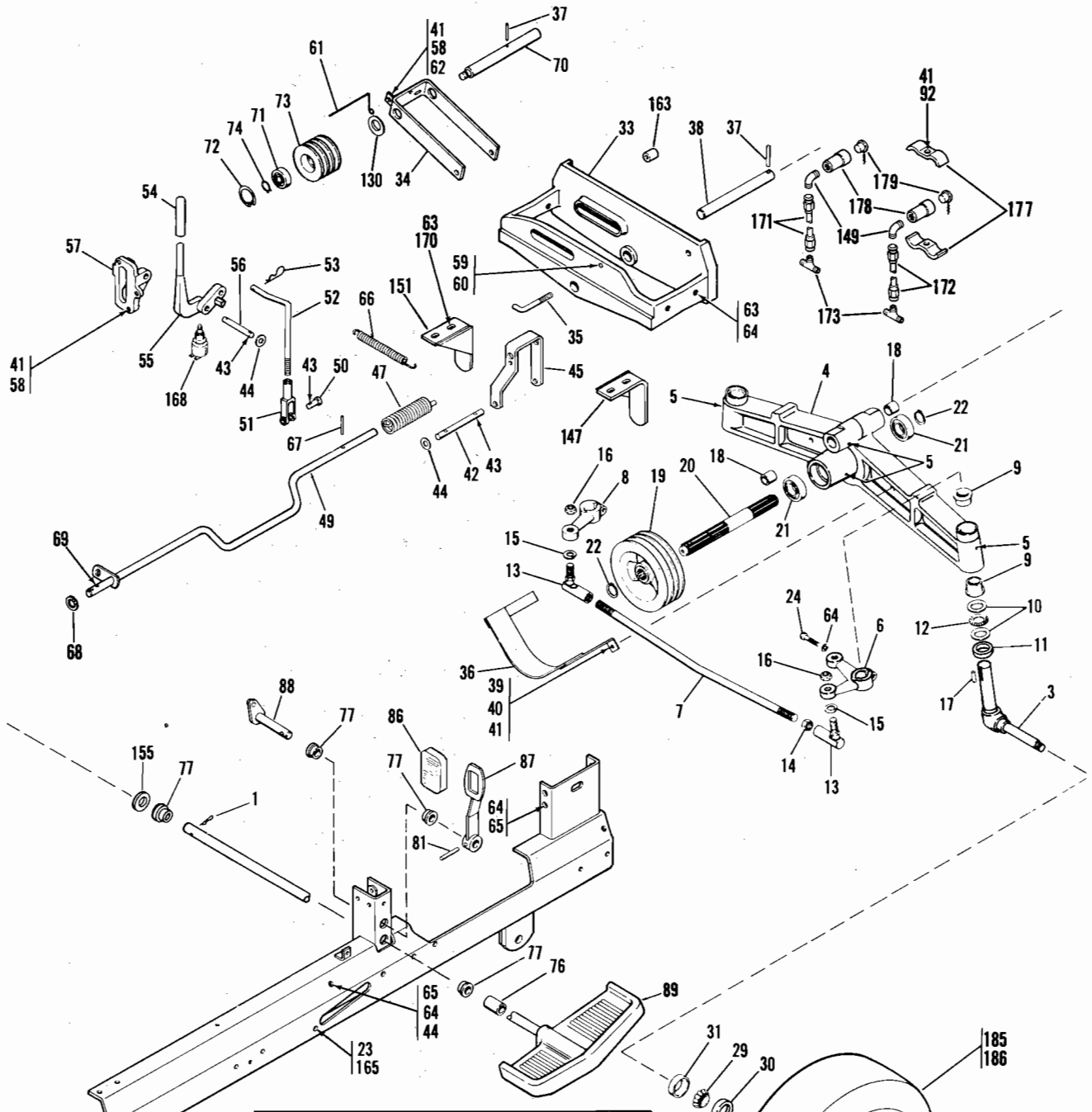


FIGURE 1

TRACTOR ASSEMBLY MODEL 1886-01



CYLINDER ASSEMBLY
(REF. NO. 150)

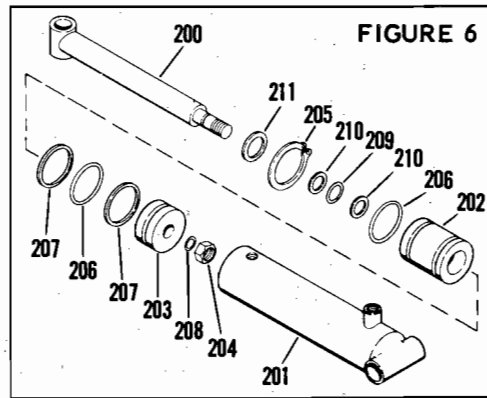


FIGURE 6

FIGURE 1

TRACTOR ASSEMBLY MODEL 1886-01

(Parts List For Figure 1)

Ref. No.	Part No.	Description	No. Req'd
1	1100 351	Cotter Pin 1/8 x 1-1/4	6
2	1185 758	Castle Nut Special - 1-14	2
3	1719 598	Wheel Spindle	2
4	1718 602	Front Axle	1
5	1104 954	Grease Fitting	4
6	1718 502	Steering Arm - R. H.	1
7	1718 575	Tie Rod	1
8	1718 513	Steering Arm - L. H.	1
9	1185 728	Flange Bearing	4
10	1185 730	Race Thrust	4
11	1706 611	Dust Seal	2
12	1185 729	Thrust Bearing	2
13	1719 003	Ball Joint	4
14	1109 533	Hex Nut 5/8 - 18	1
15	1100 247	Lockwasher 5/8	3
16	1185 082	Lock-Nut 5/8 - 18	2
17	1104 336	Square Key 1/4 x 1	2
18	1185 612	Sleeve Bearing	2
19	1718 515	PTO Sheave	1
20	1718 568	PTO Shaft	1
21	1185 100	Ball Bearing	2
22	1185 689	Retaining Ring	2
23	1108 887	Jam Nut 3/8 - 16	2
24	1107 209	Capscrew 3/8 - 24 x 1-1/2	2
25	1182 554	Screw-Set 5/16 - 18 x 5/16	1
26	1110 108	Nut-Lock 3/8 - 16	4
27	1722 628	Fan Guard (Upper)	1
28	1722 627	Fan Guard (Lower)	1
29	1185 661	Roller Bearing Cone	4
30	1185 660	Roller Bearing Cup	4
31	1719 601	Felt Seal	2
32	1719 599	Cap	2
33	1722 832	Axle Support	1
34	1718 616	Idler Shaft Bail	1
35	1719 147	Belt Guide	1
36	1718 497	Belt Guide	1
37	1185 376	Roll Pin 3/16 x 1-1/2	2
38	1718 548	Axle Pivot Pin	1
39	1106 878	Capscrew 5/16 - 18 x 1	6
40	1182 563	Hex Nut 5/16 x 18	9
41	1100 242	Lockwasher 5/16	9
42	1718 533	Arm Pin	1
43	1100 346	Cotter Pin 3/32 x 3/4	10
44	1107 383	Flat Washer 3/8	9
45	1718 528	Control Arm	1
46	1720 330	Split Bushing	2
47	1722 565	Torsion Spring	1
48	1722 667	Clamp-Tubing	1
49	1722 564	Control Rod	1
50	1112 587	Clevis Pin	1
51	222 007	Clutch Yoke	1
52	1718 526	PTO Control Rod	1
53	1703 011	Spring Cotter	1
54	1718 535	Handle Grip	2
55	1718 518	Lever-PTO	1
56	1718 558	Pivot Pin	1
57	1718 508	Bracket	1
58	1106 872	Capscrew 5/16 - 18 x 5/8	6
59	1100 241	Lockwasher 1/4	3
60	1121 507	Hex Nut 1/4 - 20	2
61	1718 606	Belt Guide	1
62	1107 382	Flat Washer 5/16	3
63	1106 915	Capscrew 3/8 - 16 x 3/4	8
64	1100 243	Lockwasher 3/8	23
65	1106 913	Capscrew 3/8 - 16 x 5/8	25
66	1714 279	Extension Spring	1
67	1185 552	Drive Pin 3/16 x 1-3/4	1

Ref. No.	Part No.	Description	No. Req'd
68	1107 385	Flat Washer 1/2	2
69	1100 356	Cotter Pin 3/32 x 1	2
70	1718 567	Idler Shaft	1
71	1185 064	Ball Bearing	1
72	1187 439	Int. Retaining Ring	1
73	1719 202	Idler Sheave	1
74	1118 809	Ext. Retaining Ring	1
75	1721 405	Steering Plate	1
76	1721 378	Spacer	1
77	1185 034	Flange Bushing	4
78	1106 882	Capscrew 5/16 - 18 x 1-1/4	1
79	1721 989	Connector	2
80	1121 509	Hex Nut 3/8 - 16	7
81	1713 432	Drive Pin 3/16 - 1-1/4	3
82	1718 541	Control Rod	1
83	1719 556	Brake Rod Assembly	1
84	1187 385	Cotter Pin 1/16 - 1/2	2
85	1107 381	Flat Washer 1/4	1
86	1719 539	Pedal Pad	1
87	1719 547	Pedal, Brake	1
88	1719 520	Brake Arm Assembly	1
89	1721 377	Speed Control Pedal	1
90	1718 544	Control Arm	1
91	1722 566	Universal Joint Ass'y	1
92	1106 888	Capscrew 5/16 - 18 x 2	3
93	1110 107	Lock Nut 5/16 - 18	1
94	1185 342	Set-Screw 5/16 - 18 x 3/8	1
95	1108 844	Square Key 1/4 x 1-1/4	1
96	1718 588	Steering Shaft	1
97	1185 319	Bronze Bearing	1
98	1719 149	Steering Bridge	1
99	1707 546	Thrust Washer	2
100	1185 711	Bronze Bearing	1
101	1107 064	Capscrew 5/8 - 11 x 2	1
102	1713 122	Bowed Washer	1
103	1718 555	Spacer	1
104	1718 506	Gear 23T	1
105	1719 540	Bracket	1
106	1100 351	Cotter Pin 1/8 x 1-1/4	1
107	1719 041	Pivot Block	1
108	1719 453	Bowed Washer	2
109	1110 110	Hex Nut 1/2 - 13	2
110	1107 037	Capscrew 1/2 - 13 x 2-1/4	1
111	1108 889	Hex Nut 1/2 x 13	2
112	1104 436	Woodruff Key 3/16 x 3/4	1
113	1714 663	Pivot Block	1
114	1185 902	Elbow 45°	1
115	1106 917	Capscrew 3/8 - 16 x 7/8	4
116	1718 462	Oil Relief Spool Link	1
117	1713 416	Ball	1
118	1713 417	Compression Spring	1
119	1200 034	Key 1/4 - 7/8	1
120	1718 464	Fender Support	1
121	1106 852	Capscrew 1/4 - 20 x 2	2
122	1718 565	Oil Relief Spool	1
123	1718 521	Oil Relief Spool Guide	1
124	1106 985	Capscrew 1/2 - 13 x 1	4
125	1100 245	Lockwasher 1/2	6
126	1715 428	Wheel Bolt 1/2 - 20	12
127	1714 101	Hitch	1
128	1106 983	Capscrew 1/2 - 13 x 7/8	2
129	1108 847	Square Key 5/16 x 1-1/8	2
130	1107 387	Flat Washer 3/4	5
131	1120 390	Lock Nut 3/4 - 10	2
132	1718 581	Wheel Hub	2
133	1722 556	Frame - L. H.	1
134	1722 555	Frame - R. H.	1

TRACTOR ASSEMBLY MODEL 1886-01

(Parts List For Figure 1) - Continued

Ref. No.	Part No.	Description	No. Req'd
135	1700 401	Extension Spring	1
136	1715 927	End Yoke	1
137	1718 463	Parking Pawl Link	1
138	1104 954	Grease Fitting	2
139	1718 593	Block Bearing	2
140	1708 126	Clevis Pin 3/8 - 13/16	1
141	1100 349	Cotter Pin 1/8 x 3/4	1
142	1106 923	Capscrew 3/8 - 16 x 1-1/4	4
143	1718 485	Shift Pivot Shaft Assy	1
144	1106 832	Capscrew 1/4 - 20 x 5/8	2
145	1717 563	Connector	1
146	1719 151	Pin	1
147	1722 626	Stop Assembly R. H.	1
148	1719 178	Cylinder Hose Assy	1
149	1185 739	Elbow 90°	3
150	1719 145	Cylinder	1
151	1722 625	Stop Assembly L. H.	1
152	1719 179	Cylinder Hose Assy	1
153	1719 152	Pivot Pin	1
154	1103 993	Lockwasher 1/4	2
155	1706 594	Washer	2
156	1721 381	Foot Pedal L. H.	1
157	1722 562	Drag Link	1
158	1104 435	Woodruff Key 1/8 x 5/8	1
159	1719 555	Brake Assembly (Fig. 5)	1
160	1710 348	Pin	1
161	1719 538	Disk Assembly	1
162	1719 006	Fan	1
163	1722 833	Spacer	3
164	1106 919	Capscrew 3/8 - 16 x 1	4
165	1103 514	Set Screw 3/8 - 16 x 1-1/2	2
166		Transaxle Hydrostatic Assy (See Figure #3)	1
167	1104 222	Cotter Pin 3/16 x 1-1/2	2
168	1720 527	Interlock Switch	2
169	1721 389	Arm Assembly	1
170	1185 715	Washer-Lock 3/8	4
171	1722 698	Tube Assy - 37° Flared	1
172	1722 699	Tube Assy - 37° Flared	1
173	1185 904	Tee	2
174	1722 696	Tube Assy - 37° Flared	1
175	1722 697	Tube Assy - 37° Flared	1
176	1185 903	Elbow 45°	1
177	1722 560	Clamp-Coupling	4
178	1717 627	Coupling-Body	4
179	1720 733	Plug-Dust	4
MODEL 18018 - STD. LAWN TIRE KIT			
180	1721 431	Wheel and Tire Assy	2
	1717 204	Tire 27 x 8.50 - 15	2
	1721 432	Wheel	2
	1718 242	Valve	2
MODEL 18019 - STD. AGRIL TIRE KIT			
181	1721 440	Wheel and Tire Assy R. H.	1
	1721 441	Wheel and Tire Assy L. H.	1
	1718 243	Tire 27 x 8.50 - 15	2
	1721 432	Wheel	2
	1718 242	Valve	2
MODEL 18016 - TERRA LAWN TIRE KIT			
182	1721 434	Wheel and Tire Assy	2
	1719 548	Tire - 26 x 12 - 12	2
	1721 435	Wheel	2
	1718 242	Valve	2

Ref. No.	Part No.	Description	No. Req'd
MODEL 18017 - TERRA AGRIL TIRE KIT			
183	1721 437	Wheel and Tire Assy R. H.	1
	1721 438	Wheel and Tire Assy L. H.	1
	1718 298	Tire 26 x 12 - 12	2
	1721 435	Wheel	2
	1718 242	Valve	2
MODEL 18020 - DUAL WHEEL KIT			
184	1721 428	Wheel and Tire Assy EXT	2
	1718 117	Hub Bolt	12
	1717 204	Tire 27 x 8.50 - 15	2
	1718 242	Valve	2
	1721 429	Extension Wheel	2
MODEL 18015 - HI FLOATATION FRONT WHEEL KIT			
185	1721 425	Wheel and Tire Assy	2
	1719 158	Tire 20 x 8.00 - 10	2
	1721 426	Wheel Assy Inc Ref 29, 30, 31, 32	2
	1718 086	Valve Stem	2
MODEL 18024 - STD. FRONT WHEEL KIT			
186	1721 421	Wheel and Tire Assy	2
	1719 153	Tubeless Tire 5.70/5.00 x 8	2
	1721 422	Wheel Assy Inc Ref 29, 30, 31, 32	2
	1718 086	Valve Stem	2
FIGURE 5 - BRAKE ASSEMBLY			
187	1719 557	Actuating Cam	1
188	1719 558	Carrier - Solid Side	1
189	1719 559	Spacer	2
190	1719 560	Puck	2
191	1719 561	Carrier - Cam Side	1
192	1719 562	Washer	1
193	1719 563	Actuator	1
194	1719 564	Washer	1
195	1719 565	Snap Ring	1
196	1719 567	Spring	1
197	1719 568	Bolt 1/4-2	2
198	1100 241	Lockwasher 1/4	2
199	1719 569	Rivet	4
FIGURE 6 - CYLINDER ASSEMBLY			
200	1719 818	Piston Rod Assembly	1
201	1719 819	Butt and Tube Assembly	1
202	1719 820	Gland	1
203	1719 821	Piston	1
204	1719 822	Hex Nut	1
205	1719 823	Snap Ring	1
206	1719 824	O-Ring	2
207	1719 825	Backup Washer	2
208	1719 826	O-Ring	1
209	1719 827	O-Ring	1
210	1719 828	Backup Washer	2
211	1719 829	Wiper	1

TRACTOR ASSEMBLY MODEL 1886-01

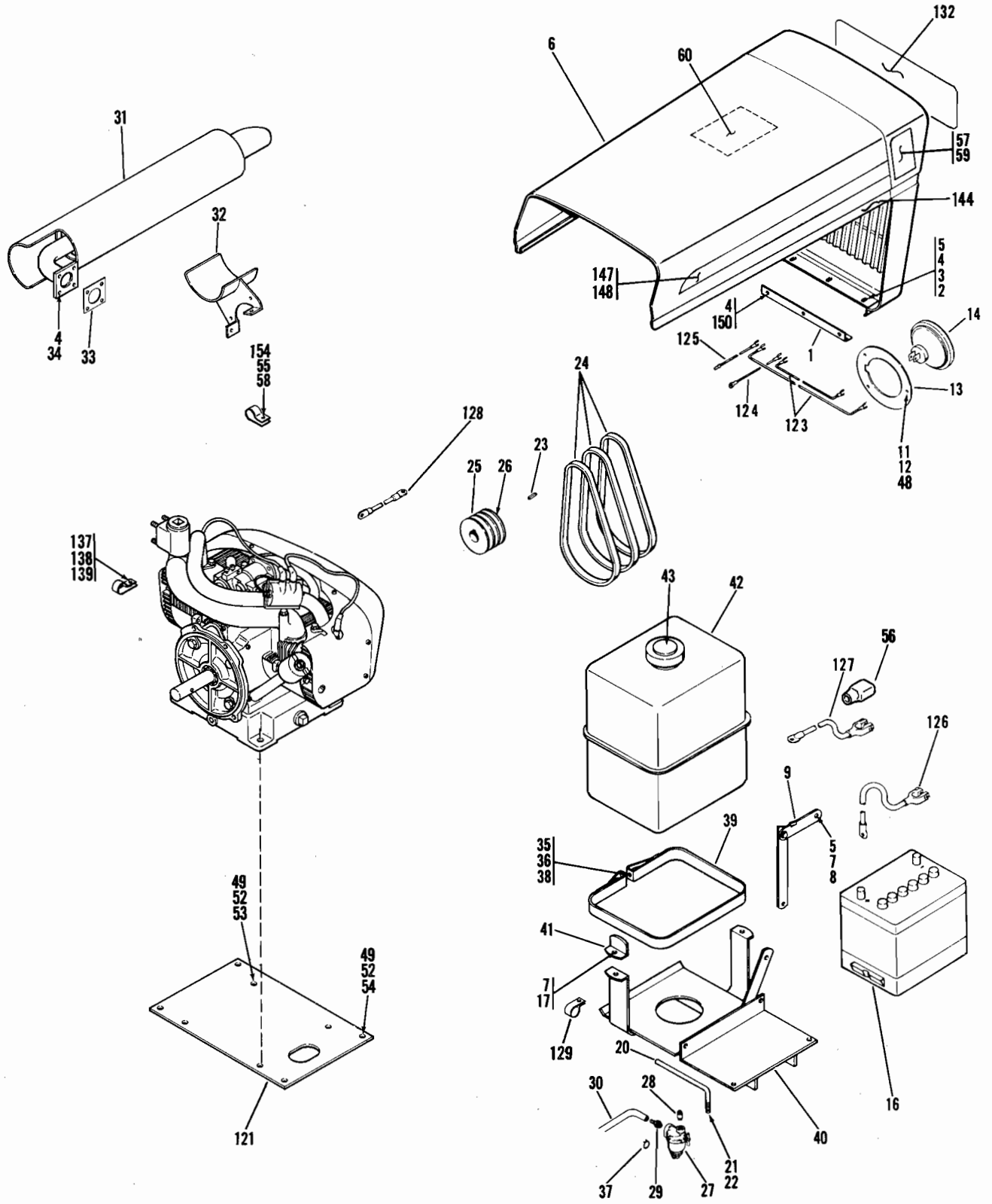


FIGURE 2

TRACTOR ASSEMBLY MODEL 1886-01

(Parts List For Figure 2)

Ref. No.	Part No.	Description	No. Req'd
1	1717 246	Hinge	1
2	1107 382	Flat Washer 5/16	12
3	1182 563	Hex Nut 5/16 - 18	3
4	1100 242	Lockwasher 5/16	10
5	1106 872	Capscrew 5/16 - 18 x 5/8	5
6	1722 558	Grille and Hood w/o Decals	1
7	1110 107	Lock-Nut 5/16 - 18	4
8	1706 905	Bowed Washer	2
9	1718 500	Hood Stop Assembly	1
10	1722 678	Decal-Rear R.H. (Reflective)	1
11	1185 911	Rivet	6
12	1185 746	Spring Clip	6
13	1719 708	Retainer Ring	2
14	*	Headlight Bulb Mfg. No. 4406	2
15	1722 677	Decal-Rear L.H. (Reflective)	1
16	1718 027	Battery 12V-45 Amp	1
17	1106 878	Capscrew 5/16 - 18 x 1	2
18	1106 919	Screw Hex Hd Cap 3/8 - 16 x 1	2
19	1722 527	Heat Shield Assembly	1
20	1718 576	Battery Rod	2
21	1110 024	Wing Nut 3/8 - 16	2
22	1100 243	Lockwasher 3/8	7
23	1108 844	Square Key 1/4 - 1-1/4	1
24	1722 639	Drive Belt 3" (Matched Set of 3)	1
25	1722 662	Drive Sheave	1
26	1103 470	Set Screw 5/16 - 18 x 1/2	2
27	1700 141	Fuel Strainer	1
28	1721 406	Fuel Fitting	1
29	1703 897	Fuel Line Fitting	1
30	1722 734	Fuel Line	1
31	1722 529	Exhaust Muffler	1
32	1722 533	Support Assembly Muffler	1
33	1722 530	Gasket-Exhaust	1
34	1106 876	Screw Hex Hd Cap 5/16 - 18 x 7/8	4
35	1121 507	Hex Nut 1/4 - 20	14
36	1100 241	Lockwasher 1/4	22
37	1718 185	Hose Clamp	2
38	1114 474	Mach Screw 1/4 - 20 x 1-1/2	1
39	1718 519	Gasoline Tank Strap	1
40	1722 681	Battery and Gas Tank Support	1
41	1718 543	Gas Tank Clip	2
42	1718 600	Gas Tank (Inc 43)	1
43	1718 756	Gas Tank Cap Only	1
44	1121 509	Hex Nut 3/8 - 16	3
45	1100 244	Lockwasher	2
46	1722 474	Seat	1
47	1722 766	Heat Shield Top	1
48	1185 748	Washer-Wave	6
49	1100 245	Lockwasher 1/2	8
50	1106 830	Capscrew 1/4 - 20 x 1/2	12
51	1717 048	Solenoid	1
52	1121 511	Hex Nut 1/2 - 13	8
53	1106 989	Screw-Hex Hd Cap 1/2 - 13 x 1-1/2	4
54	1106 987	Screw-Hex Hd Cap 1/2 - 13 x 1-1/4	4
55	1100 240	Lockwasher #10	2
56	1721 413	Terminal Boot-Battery	1
57	1722 769	Decal-Bolens R. H.	1
58	1109 766	Hex Nut 10 - 24	4
59	1722 770	Decal-Bolens L. H.	1
60	1721 408	Decal-Instructions	1

Ref. No.	Part No.	Description	No. Req'd
61	1718 332	Choke Knob & Wire	1
62	1722 528	Control Valve Assy - 2 Spool	1
	1723 215	Repair Kit for Ref No. 62	1
63	1717 599	Rubber Pad	1
64	1717 249	Instrument Panel	1
65	1722 545	Steering Column	1
66	1721 805	Steering Wheel	1
67	1722 750	Steering Wheel Cap	1
68	1107 383	Flat Washer 3/8	8
69	1720 134	Self Aligning Bearing	1
70	1718 333	Thrott. Knob & Wire	1
71	1722 535	Valve Body	1
72	1722 536	Valve Cover	2
73	1106 856	Screw-Hex Hd Cap 1/4 - 20 x 2-1/2	2
74	1107 381	Flat Washer 1/2	4
75	1722 546	Rod-Control Valve	1
76	1185 018	Link-Connector 5/8 P.	2
77	1722 539	Lever-Control Valve	2
78	1100 117	Mach Screw Rd Hd #10-24 x 1-1/2	2
79	1718 231	Light Switch Knob Only	1
80	1185 909	Connector	1
81	1185 737	Elbow 90°	1
82	1106 870	Capscrew 5/16 - 18 x 1/2	4
83	1185 725	Centerlock Nut 5/16 - 18	2
84	1719 182	Foot Pad - L. H.	1
85	1719 183	Foot Pad - R. H.	1
86	1722 680	Choke Control (Inc Ref 61)	1
87	1722 695	Tube Assy - (Hydro to Body Valve)	1
88	1718 039	Ammeter	1
89	1717 256	Light Switch (Inc Ref 79)	1
90	1717 563	Connector	3
91	1721 409	Ignition Switch (Inc Ref 140)	1
92	1185 905	Connector	1
93	1722 679	Throttle Control (Inc Ref 70)	1
94	1722 694	Tube Assy - (Hydro to Control Valve)	1
95	1185 901	Plug	1
96	1722 706	Tube Assy - (Body Valve to Control Valve)	1
97	1722 700	Tube Assy - (Control Valve to Tee)	1
98	1718 552	Mounting Strap	1
99	1718 530	Leaf Spring	1
100	1718 511	Leaf Spring	1
101	1718 510	Leaf Spring	1
102	1721 832	Rear Fender	1
103	1718 560	Pivot Pin	1
104	1177 625	Roll Pin 1/8 x 3/4	2
105	1719 206	Adjusting Block	2
106	1703 011	Spring Cotter	2
107	1118 799	Retaining Ring	2
108	1718 566	Roller Shaft	1
109	1718 562	Roller	2
110	1805 342	Taillight Assy (Inc No. 111 & 112)	1
111	*	Bulb (Mfg No. 1895)	1
112	1805 110	Lens Only	1
113	1116 197	Mach Screw #6 - 32 x 1/2	2
114	1109 764	Hex Nut 6 - 32	2
115	1106 917	Capscrew 3/8 - 16 x 7/8	2

TRACTOR ASSEMBLY MODEL 1886-01

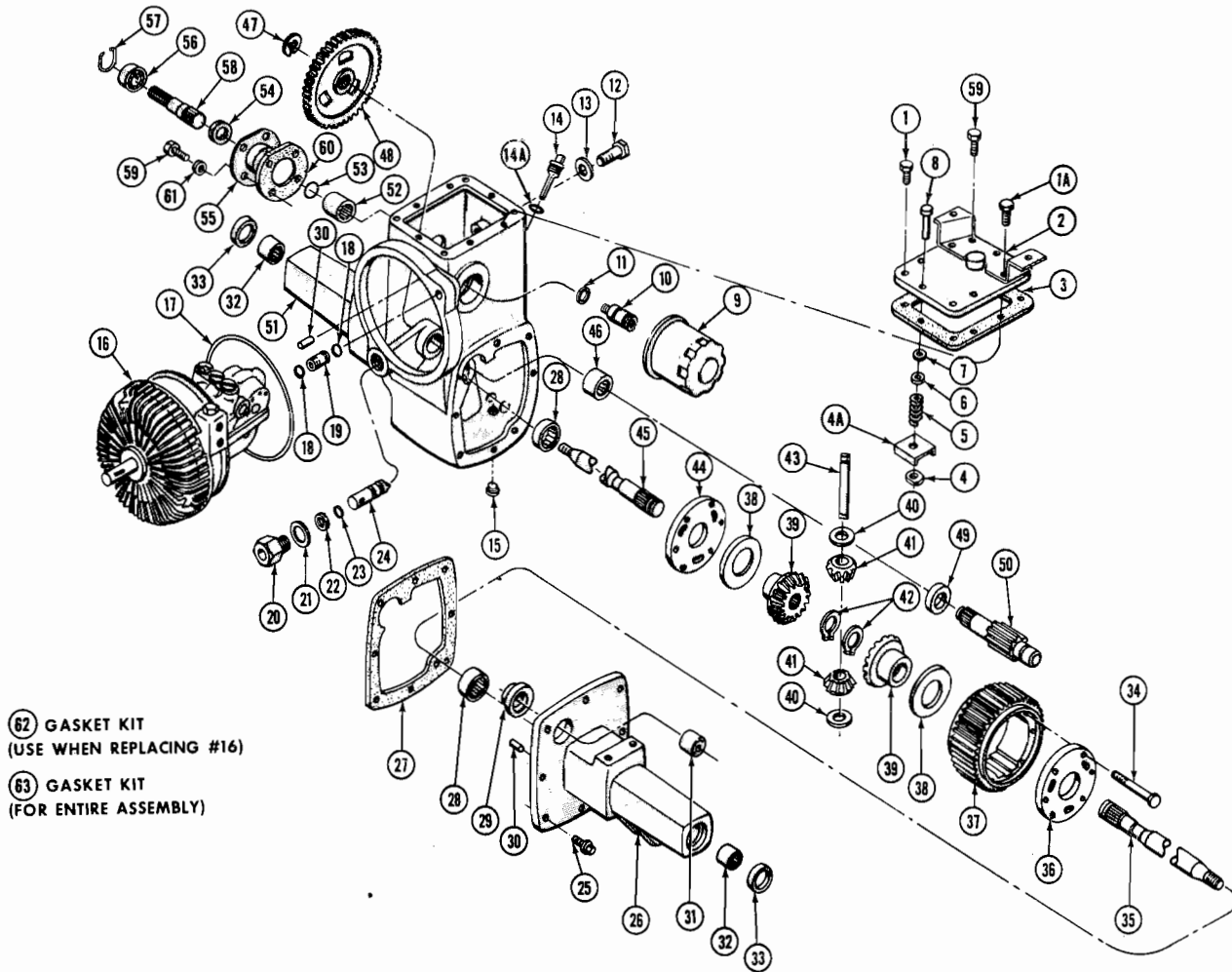
(Parts List For Figure 2) - Continued

Ref. No.	Part No.	Description	No. Req'd
116	1722 701	Tube Assy - (Control Valve to Tee)	1
117	1185 738	Elbow 90° to Hydro Pkg	2
118	1100 346	Pin-Cotter 3/32 x 3/4	2
119	1106 852	Screw-Hex Hd Cap 1/4-20 x 2	2
120	1181 155	O-Ring	2
121	1722 559	Engine Support	1
122	1717 854	Clamp Wire	1
123	1717 370	Lead Assembly	2
124	1717 394	Lead Assembly	1
125	1717 369	Lead Assembly	1
126	1722 733	Ground Wire	1
127	1722 732	Positive Wire	1
128	1722 731	Starter Wire	1
129	1721 037	Clip-Insulated	1
130	1722 457	Decal (Tran & Wood Grain)	1
131	1721 291	Decal (Caution)	1
132	1722 752	Decal (Husky Grille)	1
133	1187 949	Washer-Shakeproof #10	4
134	1114 838	Screw-Fil Hd Mach #10-32 x 5/16	4
135	1722 923	Spacer	2
136	1106 969	Screw-Hex Hd Cap 7/16 - 14 x 1	2

Ref. No.	Part No.	Description	No. Req'd
137	1185 244	Nut-Nylok 1/4 - 28	2
138	1121 707	Nut-Hex Jam 1/4 - 28	2
139	1805 169	Screw-Hex Hd Cap 1/4-28 x 3/4	2
140	1718 266	Key Only	1
141	1723 102	Decal-Brake Pedal	1
142	1721 369	Wear Strip	2
143	1103 989	Shakeproof Lockwasher #6	2
144	1717 859	Tape Strip 90"	1
145	1722 735	Wiring Harness See Fig. 4	1
146	1721 466	Wiring Harness See Fig. 4	1
147	1722 768	Decal (Hood L. H.)	1
148	1722 767	Decal (Hood R. H.)	1
149	1721 287	Decal (PTO)	1
150	1106 886	Capscrew 5/16 - 18 x 1-3/4	3
151	1722 773	Decal (Hydrostatic Control)	1
152	1722 751	Decal (Instrument Panel)	1
153	1103 994	Shakeproof Washer	2
154	1110 672	Mach Screw #8-32 x 5/8	2
155	1109 765	Nut #8-32	2
156	1185 098	Lockwasher #8	2
157	1722 942	Heat Deflector	1
158	1801 200	Pop Rivet 5/32 x 3/8	3
159	1187 293	Flat Washer	3

*Not Stocked. Purchase from your local automotive or electrical supplier.

TRANSAXLE ASSEMBLY MODEL 1886-01



62 GASKET KIT
 (USE WHEN REPLACING #16)
 63 GASKET KIT
 (FOR ENTIRE ASSEMBLY)

Parts List For Figure 3

Ref. No.	Part No.	Description	No. Req'd
1	1720 308	Capscrew 1/4-20 UNC x 5/8	3
1A	1720 287	Capscrew 1/4-20 UNC x 3/4	2
2	1719 851	Cover Service Kit (includes 1A # 3 and 4)	1
3	1719 852	Gasket (Transmission Cover)	1
4	1719 853	Speed Nut	1
4A	1719 854	Deflector	1
5	1719 855	Spring	1
6	1719 856	Washer	1
7	1719 857	Gasket (Button Ass'y)	1
8	1719 858	Button Sub-Assembly	1
9	1719 859	Oil Filter	1
10	1719 860	Filter Stud	1
11	1720 309	O-Ring (Filter Stud)	1
12	1719 861	Capscrew 1/2-13 UNCx2-1/2	1
13	1719 862	Seal Washer (Mounting Bolt)	1
14	1719 863	Dipstick	1
14A	1720 310	O-Ring (Dipstick)	1
15	1720 311	Drain Plug 1/4-18 NPTF	1
*16	1723 240	Hydro Pkg	1
17	1719 865	O-Ring (Transmission Housing)	1
18	1719 866	O-Ring (Connecting Tube)	2
19	1719 867	Tube-Connecting	1
20	1719 868	Bushing (Parking Pawl)	1
21	1719 869	Sealing Washer (Parking Pawl)	1
22	1719 870	Quad-Ring (Parking Pawl)	1
23	1720 312	O-Ring (Parking Pawl)	1

Ref. No.	Part No.	Description	No. Req'd
24	1719 871	Parking Pawl	1
25	1719 872	Capscrew 3/8-16 UNC x 1-1/4 Special	8
26	1719 873	Axle Housing	1
27	1719 874	Gasket (Housing)	1
28	1720 313	Needle Bearing	2
29	1719 875	Spacer	1
30	1719 876	Dowel 5/16 x 3/4	2
31	1720 314	Needle Bearing (Closed End)	1
32	1720 315	Needle Bearing	2
33	1719 877	Oil Seal (Axles)	2
34	1720 316	Capscrew 3/18-16 UNC x 3-1/2	6
35	1719 878	Axle (Left Hand)	1
36	1719 879	Cover (Left Hand)	1
37	1719 880	Ring Gear	1
38	1719 881	Shim .500	AR
38	1720 307	Shim .010	AR
39	1719 882	Side Gear (Differential)	2
40	1719 883	Thrust Washer	2
41	1719 884	Pinion Gear (Differential)	2
42	1720 317	Retaining Ring	2
43	1719 885	Shaft	1
44	1719 886	Cover (Right Hand)	1
45	1719 887	Axle (Right Hand)	1
46	1720 318	Needle Bearing	1
47	1720 319	Bowed "E" Ring	1

TRANSAXLE ASSEMBLY MODEL 1886-01

(Parts List For Figure 3) - Continued

Ref. No.	Part No.	Description	No. Req'd
48	1719 888	Bull Gear	1
49	1719 889	Spacer	1
50	1719 890	Intermediate Gear	1
51	1719 891	Transmission Housing Sub-Assembly	1
52	1719 892	Coupling	1
53	1719 893	Snap Ring (Brake Shaft)	1
54	1719 894	Oil Seal (Brake)	1
55	1719 895	Flange Bearing Adapter	1
56	1720 320	Ball Bearing	1
57	1719 896	Snap Ring (Bearing)	1
58	1719 897	Brake Shaft	1

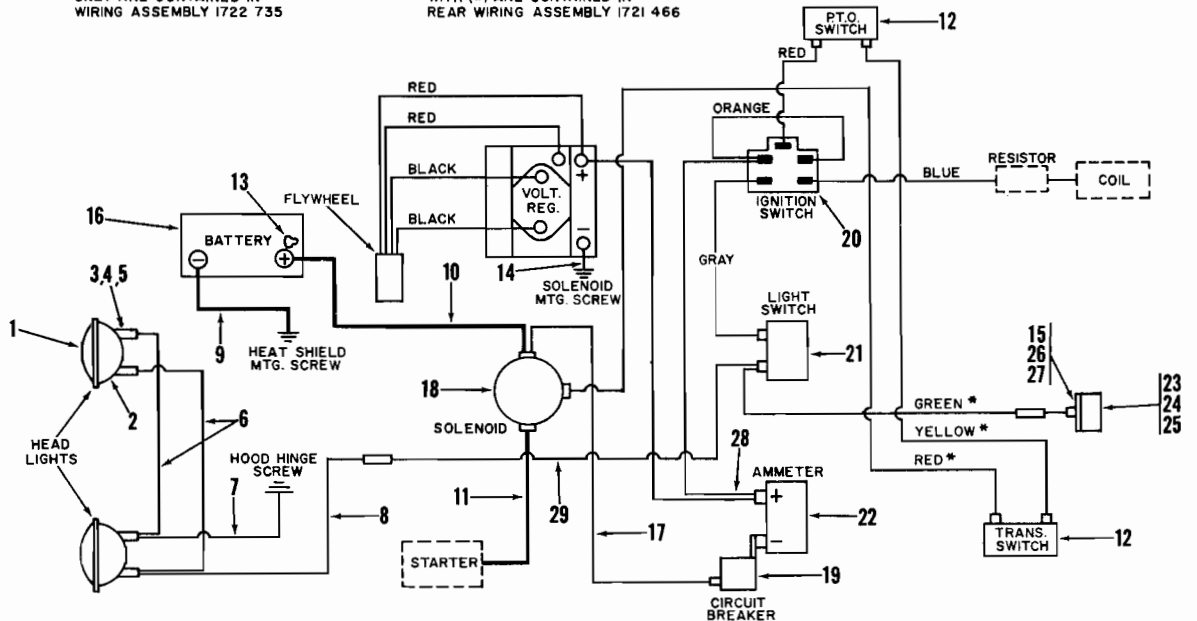
Ref. No.	Part No.	Description	No. Req'd
59	1720 321	Capscrew 5/16-18 UNC x 3/4	7
60	1719 898	Gasket (Brake Flange)	1
61	1719 899	Sealing Washer (Brake Bolts)	4
62	1720 288	Gasket Kit (Use when replacing #16) (Includes #3, 11, 13, 17, 18, 60, 61)	1
63	1720 289	Gasket Kit (For entire assembly) (Includes #14A, 21, 22, 23, 27, 62)	1
	1719 650	Hydrostatic Fluid, 1 gal	
	1721 514	Hydrostatic Fluid, 2-1/2 gal	

* Available only as a complete package

DUAL LIGHT GROUP WIRING DIAGRAM

NOTE: WIRES INDICATED BY COLOR ONLY ARE CONTAINED IN WIRING ASSEMBLY 1722 735

NOTE: WIRES INDICATED BY COLOR WITH (*) ARE CONTAINED IN REAR WIRING ASSEMBLY 1721 466



Parts List For Wiring Diagram

Ref. No.	Part No.	Description	No. Req'd
1	**	Headlight Bulb (Mfg No. 4406)	2
2	1719 708	Retainer Ring	2
3	1185 746	Spring-Clip	6
4	1185 748	Washer-Wave	6
5	1185 911	Rivet-3/16 x 7/8	6
6	1717 370	Lead Assembly	2
7	1717 394	Lead Assembly	1
8	1717 369	Lead Assembly	1
9	1722 733	Ground Wire	1
10	1722 732	Positive Wire	1
11	1722 731	Starter Wire	1
12	1720 527	Interlock Switch	2
13	1721 413	Terminal Boot-Battery	1
14	1722 741	Wire-Reg. to Ground	1
15	1109 764	Hex Nut #6 - 32	2
16	1718 027	Battery	1

Ref. No.	Part No.	Description	No. Req'd
17	1722 739	Wire-Solenoid to Circuit Breaker	1
18	1717 048	Solenoid	1
19	1722 552	Circuit Breaker	1
20	1721 409	Ignition Switch	1
21	1717 256	Light Switch	1
22	1718 039	Ammeter	1
23	1805 342	Taillight Assy (Inc Ref No. 24 and 25)	1
24	**	Bulb (Mfg No. 1895)	1
25	1805 110	Lens Only	1
26	1116 197	Mach Screw 6-32 x 1/2	2
27	1103 989	Lockwasher #6	2
28	1722 740	Wire-Reg. to Ammeter	1
29	1722 736	Wire-Headlight	1

** Not Stocked. Purchase from your local automotive or electrical supplier.