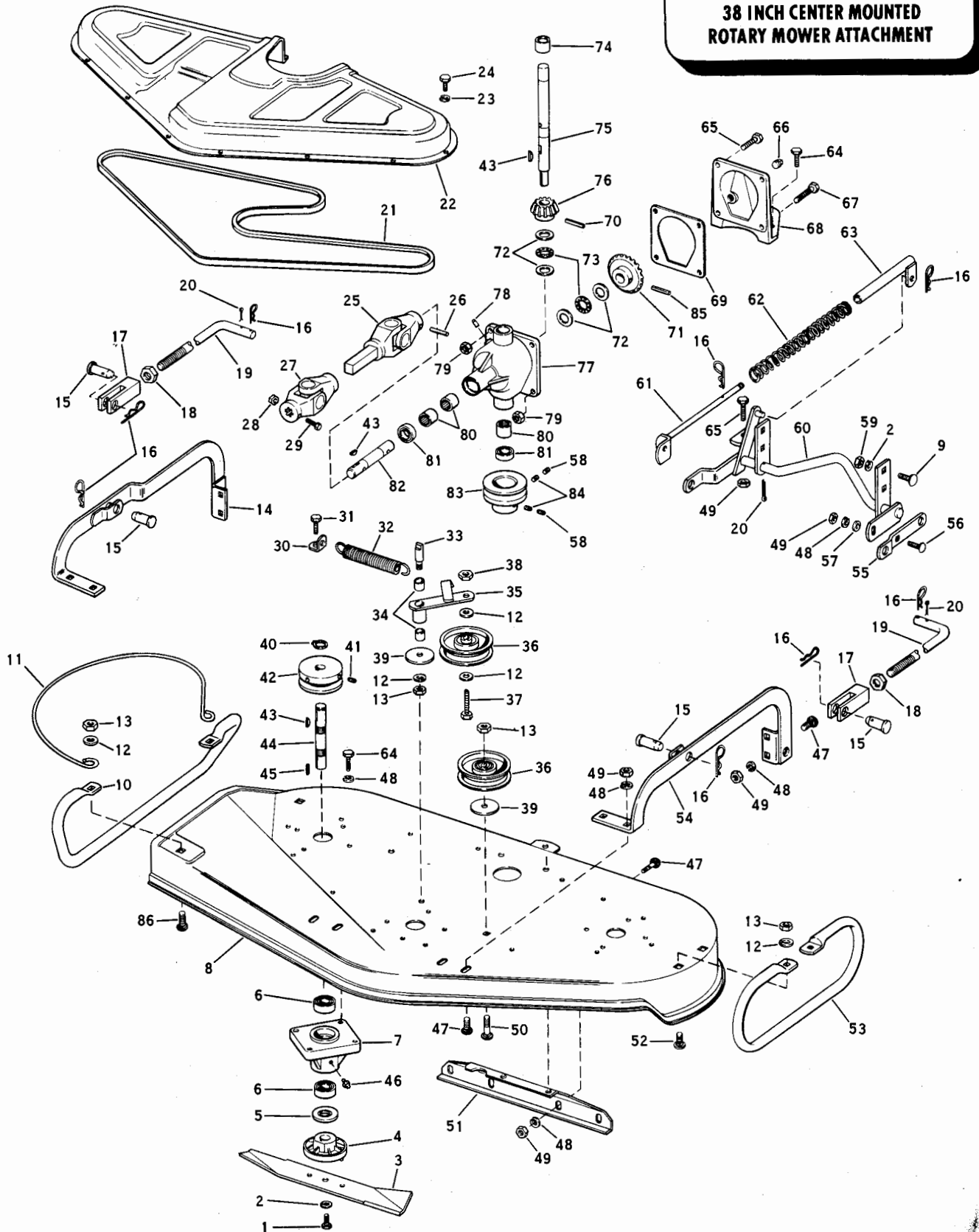


ILLUSTRATED PARTS LIST

BOLENS

MODEL 18449-01

38 INCH CENTER MOUNTED
ROTARY MOWER ATTACHMENT



PRICE: ONE DOLLAR

FORM NO. P-551490-1 10-63

ROTARY MOWER MODEL 18449-01

Ref. No.	Part No.	Description	No. Req'd.
1	1111709	Capscrew (Heat Treated)	3
2	1100243	Lockwasher 3/8	11
3	1714727	Cutter Blade	3
4	1711879	Drive Hub	3
5	1712566	Slinger	3
6	1120502	Ball Bearing	6
7	1714734	Bearing Housing	3
8	1716186	Base (See Note)	1
9	1111285	Carriage Bolt 3/8-16 x 1	5
10	1714745	Runner - R.H. (See Note)	1
11	1716189	Blade Guard	1
12	1107383	Flat Washer 3/8	4
13	1110108	Locknut 3/8-16	4
14	1714737	Bail - R. H.	1
15	1713553	Clevis Pin	4
16	1703011	Spring Cotter	9
17	1714573	Rod End	2
18	1108891	Jam Nut 5/8-16	2
19	1714544	Link Rod	2
20	1100350	Cotter Pin 1/8 x 1	4
21	1714799	Drive Belt - 75"	1
22	1714729	Belt Guard	1
23	1100241	Lockwasher 1/4	14
24	1106830	Capscrew 1/4-20 x 1/2	14
*25	1714728	Universal Joint and Shaft	1
26	1185220	Roll Pin 3/16 x 1-1/2	1
*27	1715008	Universal Joint	1
28	1110106	Locknut 1/4-20	1
29	1106849	Capscrew 1/4-20 x 1-3/4	1
30	1713686	Bracket	1
31	1106872	Capscrew 5/16-18 x 5/8	1
32	1701322	Spring	1
33	1713684	Stud	1
34	1185392	Bronze Bearing	2
35	1714741	Idler Arm	1
36	1714742	Idler Pulley	2
37	1106923	Capscrew 3/8-16 x 1-1/2	1
38	1185506	Jam Nut 3/8-16	1
39	1711017	Flat Washer	2
40	1118809	Retaining Ring	3
41	1103470	Set Screw 5/16-18 x 1/2	6
42	1714758	Blade Drive Pulley	3
43	1104436	Woodruff Key 3/16 x 3/4	5
44	1714759	Drive Shaft	3
45	1185188	Sq. Key 3/16 x 7/8	3

Ref. No.	Part No.	Description	No. Req'd.
46	1110086	Grease Fitting	3
47	1111265	Carriage Bolt 5/16-18 x 3/4	10
48	1100242	Lockwasher 5/16	26
49	1103839	Hex Nut 5/16-18	16
50	1111287	Carriage Bolt 3/8-16 x 1-1/2	1
51	1714755	Gear Box Support	1
52	1111284	Carriage Bolt 3/8-16 x 3/4	2
53	1714744	Runner - L.H. (See Note)	1
54	1714739	Bail - L. H.	1
55	1714749	Adjusting Arm	1
56	1111266	Carriage Bolt 5/16-18 x 1	1
57	1100255	Flat Washer 5/16	1
58	1185551	Lock Screw 3/8-16 x 3/16	2
59	1103840	Hex Nut 3/8-16	4
60	1714750	Lift Arm	1
61	1714868	Guide Rod	1
62	1714872	Spring	1
63	1714871	Tube	1
64	1106876	Capscrew 5/16-18 x 7/8	15
65	1106878	Capscrew 5/16-18 x 1	3
66	1105678	Plug	1
67	1106882	Capscrew 5/16-18 x 1-1/4	2
68	1713680	Gear Case Support	1
69	1713662	Gasket	1
70	1185348	Roll Pin 1/4 x 1-1/4	1
71	1715634	Gear - 19T	1
72	1185432	Thrust Race	4
73	1185431	Thrust Bearing	2
74	1713665	Needle Bearing	1
75	1714754	Vertical Shaft	1
76	1715635	Gear - 16T	1
**77	1713883	Gear Case Only	1
78	182682	Breather	1
79	1110107	Locknut 5/16-18	4
80	1185010	Needle Bearing	3
81	1185296	Seal	2
82	1713676	Horizontal Shaft	1
83	1714762	Drive Pulley	1
84	1185550	Set Screw 3/8-16 x 5/16	2
85	1185284	Roll Pin 1/4 x 2	1
86	1111267	Carr. Bolt 5/16-18 x 1-3/4	1

- * 1714207 Repair Kit for Joint Marked 6N
- * 1714208 Repair Kit for Joint Marked NEAPCO
- ** 1715607 Complete Gear Case Assy.

Note: When ordering base for units with runners welded as part of base assembly, use Part No. 1716186. Runners for these units are not available separately.

