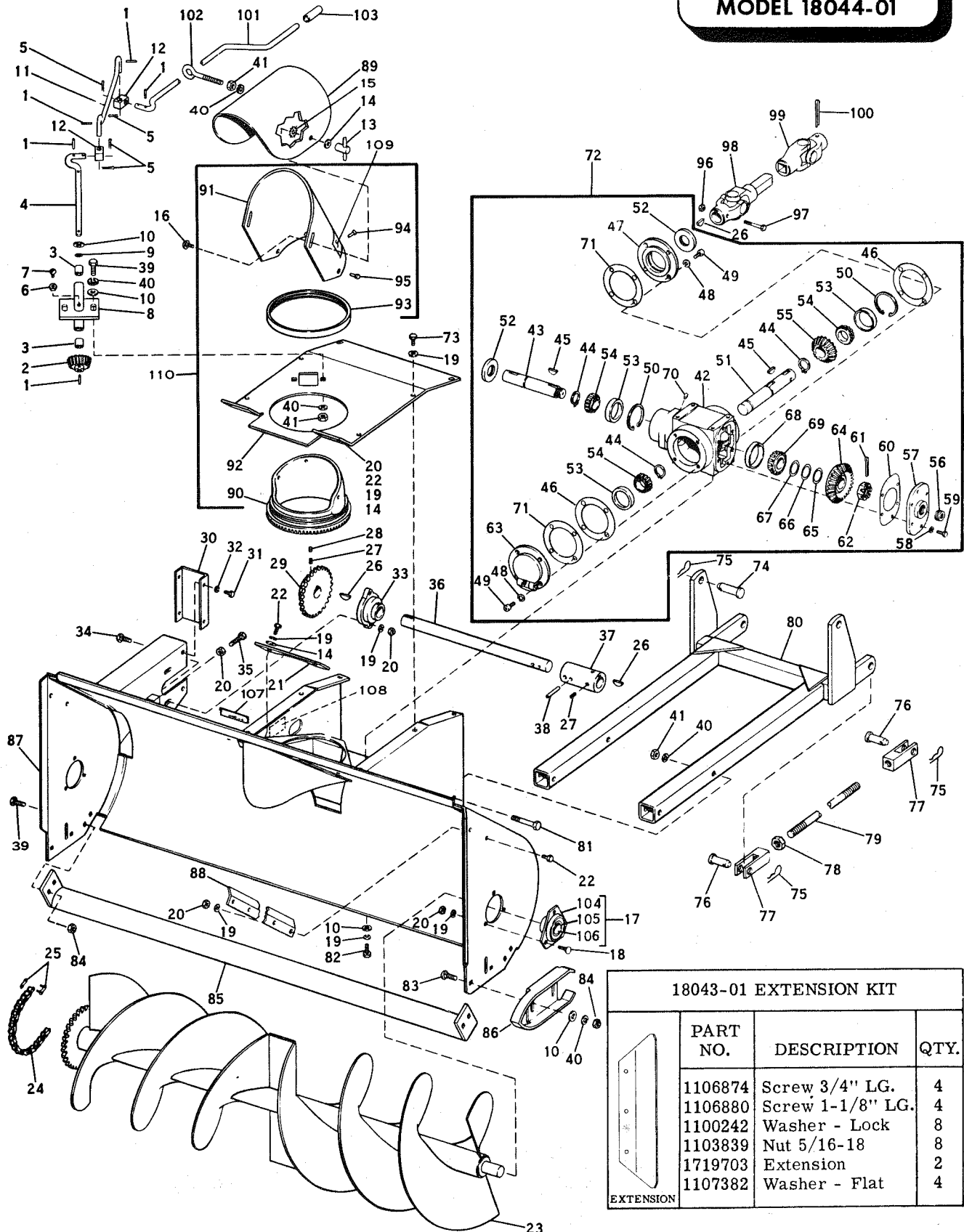


# ILLUSTRATED PARTS LIST

**BOLENS**  
**42 INCH**  
**SNO-CASTER**  
**ATTACHMENT**  
**MODEL 18044-01**



18043-01 EXTENSION KIT			
PART NO.	DESCRIPTION	QTY.	
1106874	Screw 3/4" LG.	4	
1106880	Screw 1-1/8" LG.	4	
1100242	Washer - Lock	8	
1103839	Nut 5/16-18	8	
1719703	Extension	2	
1107382	Washer - Flat	4	

## 42" SNO-CASTER ATTACHMENT MODEL 18044-01

Ref. No.	Part No.	Description	No. Req'd.
1	1703066	Drive Pin 1/8 x 3/4	6
2	1714367	Chute Control Pinion	1
3	1185395	Sleeve Bearing	2
4	1717017	Chute Control Shaft	1
5	1100349	Cotter Pin 1/8 x 3/4	4
6	1121507	Hex Nut 1/4 x 20	1
7	1102571	Mach. Screw 1/4-20 x 3/4	1
8	1719333	Chute Control Assembly	1
9	1705119	Bowed Washer	As Req'd.
10	1107383	Flat Washer 3/8	11
11	1719344	Chute Control Rod	1
12	1714782	Swivel Block	2
13	1714373	Wing Nut	2
14	1107382	Flat Washer 5/16	6
15	1185569	Shakeproof Washer	2
16	1185518	Square Bolt 1/4-20 x 5/8	2
17	1717076	Self-Aligning Br. Assy (Inc. Ref. #104-105-106)	2
18	1111265	Carriage Bolt 5/16-18 x 3/4	6
19	1100242	Lockwasher 5/16	26
20	1182563	Hex Nut 5/16-18	15
21	1718714	Closure Plate	1
22	1106872	Capscrew 5/16-18 x 5/8	8
23	1721278	Rotor Assembly	1
24	1719343	Drive Chain	1
25	1185026	Connector Link	1
26	1100276	Woodruff Key 1/4 x 7/8	3
27	1182554	Set Screw 5/16-18 x 5/16	4
28	1185259	Set Screw 5/16-18 x 1/4	2
29	1718757	Sprocket - 26T	1
30	1718771	End Cover	1
31	1106830	Capscrew 1/4-20 x 1/2	4
32	1100241	Lockwasher 1/4	4
33	1718764	Self-Aligning Bearing	1
34	1111266	Carriage Bolt 5/16-18 x 1	2
35	1185742	Capscrew 5/16-18 x 2	1
36	1718715	Rotor Drive Shaft	1
37	1718718	Coupling	1
38	1187614	Drive Pin 1/4 x 1-3/4	1
39	1111284	Bolt, Carriage 3/8-16 x 3/4	2
40	1100243	Lockwasher 3/8	16
41	1121509	Hex Nut 3/8 x 16	9
42	1719710	Gear Case (Incl. 65, 66, 67, 68, 69)	1
43	1718721	Shaft - Output	1
44	1185689	Retaining Ring	3
45	1709611	Woodruff Key 1/4 x 7/8	2
46	1717456	Gear Box Gasket	As Req'd.
47	1717454	Bearing Retainer	1
48	1100242	Lockwasher 5/16	8
49	1185686	Capscrew 5/16-18 x 3/4	8
50	1118735	Retaining Ring	2
51	1718720	Shaft - Input	1
52	1185687	Oil Seal	2
53	1185660	Bearing Cup	3
54	1185661	Bearing Cone	3
55	1717457	Bevel Pinion - 18T	1

Ref. No.	Part No.	Description	No. Req'd.
56	1100937	Pipe Plug 3/4 N.P.T.	1
57	1717448	Cover	1
58	1100241	Lockwasher 1/4	6
59	1185684	Capscrew 1/4-20 x 5/8	6
60	1717449	Gasket	1
61	1100352	Cotter Pin 1/8 x 1-1/2	1
62	1185662	Slotted Nut 7/8 x 14	1
63	1718620	Bearing Retainer	1
64	1717459	Bevel Gear - 29T	1
65	1800750	Shim - .003	1
66	1800751	Shim - .005	1
67	1800338	Shim - .015	1
68	1185118	Bearing Cup	1
69	1185688	Bearing Cone	1
70	182682	Breather	1
71	1719501	Gear Box Gasket	As Req'd.
72	1718740	Gear Case Assembly	1
73	1106870	Capscrew 5/16-18 x 1/2	6
74	1709622	Clevis Pin	2
75	1703011	Spring Cotter	6
76	1713553	Clevis Pin	4
77	1714573	End Rod	4
78	1108891	Jam Nut 5/8 x 11	2
79	1719096	Push Rod	2
80	1718713	Hitch Assembly	1
81	1106934	Capscrew 3/8-16 x 2-1/4	4
82	1106874	Capscrew 5/16-18 x 3/4	4
83	1111285	Carriage Bolt 3/8-16 x 1	4
84	1110108	Self-Locking Nut 3/8 x 16	8
85	1718734	Scraper Assembly	1
86	1715011	Shoe	2
87	1721277	Rotor Housing Assembly	1
88	1715427	Drift Slicer	2
89	1718723	Deflector Cap	1
90	1718730	Swivel Duct	1
91	1718722	Outlet Duct	1
92	1718724	Gear Cover	1
93	1719394	Seal Ring	1
94	1104045	Button Rivet 3/16 x 1/2	2
95	1100617	Button Rivet 3/16 x 3/4	2
96	1110106	Lock Nut 1/4 x 20	1
97	1106849	Capscrew 1/4-20 x 1-3/4	1
*98	1718618	Universal Joint Assembly	1
*99	1718656	Universal Joint	1
100	1716369	Cotter Pin	1
101	1719345	Crank Handle Rod	1
102	1712920	Eye - Bolt	2
103	1715685	Grip	1
104	1185787	Flange	4
105	1185788	Collar	2
106	1185587	Bearing Only	2
107	1716053	Decal (Bolens)	1
108	1719347	Decal (Shear Pin)	1
109	1715670	Decal (Caution)	1
110	1718739	Duct Assy (Inc Ref #90-91-92-93-94-95)	1

\*1714207 Repair Kit for Joint Marked 6N

\*1714208 Repair Kit for Joint Marked Neapco

# BOLENS

PORT WASHINGTON, WISCONSIN, U.S.A.