
Bolens[®]

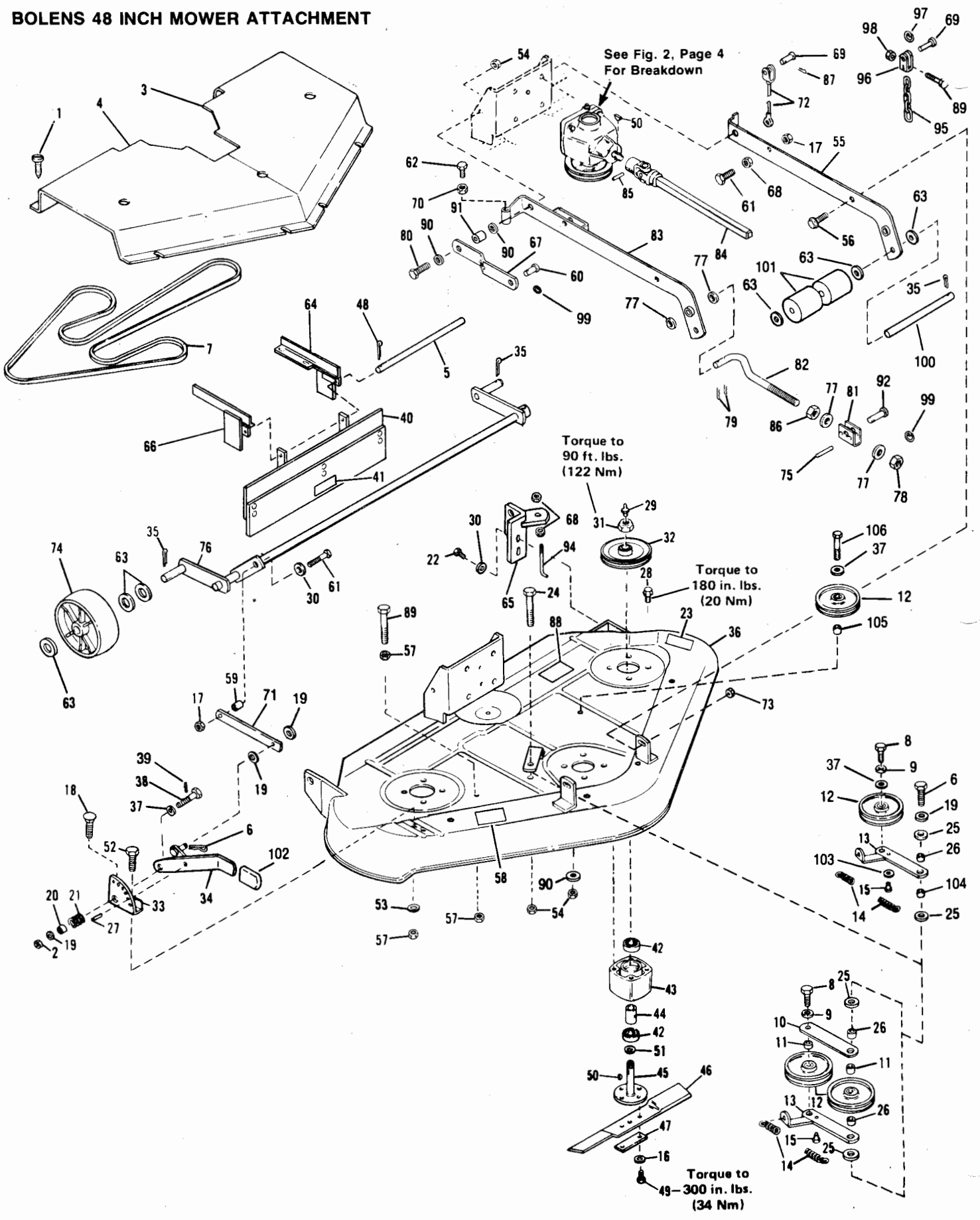
**Rear Discharge
Mower Attachment
48 Inch**

Model 50048R

Serial Numbers 0100101
thru 0499999

Parts List

BOLENS 48 INCH MOWER ATTACHMENT



MODEL 50048R

| REF. NO. | PART NO. | DESCRIPTION | NO. REQ'D | REF. NO. | PART NO. | DESCRIPTION | NO. REQ'D |
|----------|-----------|--------------------------------------------------------|-----------|----------|------------|-------------------------------------|-----------|
| 1 | 1185750 | Self Driving Screw, 10-24 x 5/8... | 8 | 55 | 1746811 | Support Ass'y LH (1) (2) | 1 |
| 2 | • 1185496 | Lock Nut, 1/2-13 | 1 | | 1751721 | Support Ass'y LH (3) (4) | 1 |
| 3 | 1745620 | Belt Cover, LH | 1 | 56 | • 1186347 | Flange Screw 3/8-16 x 1 | 2 |
| 4 | 1742482 | Belt Cover, RH | 1 | 57 | 1732499 | Top Locknut, 5/16-18 | 4 |
| 5 | 1735872 | Rod | 1 | 58 | 1742798 | Decal, Mower (1) | 1 |
| 6 | • 1100064 | Hex Screw 1/2-13 x 1-1/2 (3) (4) | 1 | | 1750712 | Decal, Mower (2) (3) (4) | 1 |
| 7 | 1724943 | V-Belt (137") (1) (2) | 1 | 59 | 1738160 | Spacer | 1 |
| | 1750842 | V-Belt (118.6") (3) | 1 | 60 | 1752309 | Clevis Pin | 2 |
| 8 | 1724928 | Hex Screw, 1/2-13 x 1-5/8 (1) (2) | 1 | 61 | • 1100047 | Capscrew, 3/8-16 x 1-1/2 | 3 |
| | • 1100015 | Hex Screw, 1/2-20 x 1-1/4 (3) (4) | 1 | 62 | • 1186351 | Fl. Screw 3/8-16 x 2 (1) (2) | 2 |
| 9 | • 1100245 | Lockwasher, 1/2 | 1 | 63 | • 1107386 | Flat Washer, 5/8 | 8 |
| 10 | 1724926 | Idler Arm (1) (2) | 1 | 64 | 1738074 | R.H. Stop Assembly | 1 |
| 11 | 1746869 | Spacer (1) (2) | 2 | 65 | 1744300 | Shaft Support Ass'y (1) | 1 |
| 12 | 1724925 | Idler Pulley (1) (2) | 2 | | 1748097 | Shaft Support Ass'y (2) (3) (4) ... | 1 |
| | 1752354 | Idler Pulley (3) (4) | 2 | 66 | 1738073 | L.H. Stop Assembly | 1 |
| 13 | 1724923 | Idler Arm | 1 | 67 | 1746169 | Drag Link | 2 |
| 14 | 1724822 | Extension Spring | 1 | 68 | • 1185506 | Jam Nut 3/8-16 | 4 |
| 15 | 1724924 | Wear Button | 1 | 69 | • 1112587 | Clevis Pin | 2 |
| 16 | • 1100243 | Lockwasher, 3/8 | 6 | 70 | • 1186231 | Hex Nut, 3/8-16 (1) (2) | 2 |
| 17 | 1733398 | Lock Nut, 3/8-16 | 3 | 71 | 1738369 | Link, Connecting | 1 |
| 18 | • 1186098 | Carriage Bolt, 5/16-18 x 3/4 | 1 | 72 | 1750123 | Lift Cable (1) (2) | 2 |
| 19 | • 1107385 | Flat Washer, 1/2 | 3 | 73 | • 1186393 | Flange Nut 3/8-16 | 2 |
| 20 | 1715387 | Spacer | 1 | 74 | 1740569 | Gage Wheel | 2 |
| 21 | 1716583 | Spring | 1 | 75 | 1185597 | Roll Pin | 4 |
| 22 | • 1100046 | Hex Screw 3/8-16 x 1 | 2 | 76 | 1745618 | Pivot Shaft Ass'y (1) | 1 |
| 23 | 1745198 | Warning Decal | 1 | | 1748090 | Pivot Shaft Ass'y (2) (3) (4) | 1 |
| 24 | • 1100080 | Capscrew, 1/2-13 x 2-3/4 (1) (2) | 1 | 77 | 1185830 | Flat Washer | 8 |
| 25 | 1724929 | Thrust Washer | 2 | 78 | 1110113 | Hex Nut 3/4-10 | 2 |
| 26 | 1724931 | Bearing Sleeve (1) (2) | 2 | 79 | • 1100351 | Cotter Pin, 1/8 x 1-1/4 | 4 |
| 27 | 1733103 | Drive Pin, 5/16-18 x 3/4 | 1 | 80 | • 1100065 | Hex Screw 1/2-13 x 1-3/4 | 2 |
| 28 | 1724491 | Flange Screw, 5/16-18 x 3/4 | 12 | 81 | 1746171 | Hitch Bracket | 2 |
| 29 | 1185976 | Grease Fitting | 3 | 82 | 1746170 | Hitch Link | 2 |
| 30 | • 1107383 | Flat Washer 3/8 | 3 | 83 | 1746812 | Mower Hanger (1) (2) | 2 |
| 31 | • 1185093 | Locknut, 3/4-16 | 3 | | 1751722 | Mower Hanger (3) (4) | 2 |
| 32 | 1727555 | Blade Sheave (1) (2) | 3 | 84 | 1744906 | Drive Assembly | 1 |
| | 1752307 | Blade Sheave (3) (4) | 3 | 85 | 1185376 | Roll Pin, 3/16 x 1-1/2 | 1 |
| 33 | 1724843 | Quadrant | 1 | 86 | 1186236 | Hex Nut 3/4-10 | 2 |
| 34 | 1731550 | Handle Assembly (1) (2) (3) | 1 | 87 | 1703011 | Cotter Spring (1) (2) | 2 |
| | 1753976 | Handle Assembly (4) | 1 | 88 | 1740228 | Belt Drive Decal (1) (2) | 1 |
| 35 | • 1100350 | Cotter Pin, 1/8 x 1 | 4 | | 1730200 | Belt Drive Decal (3) (4) | 1 |
| 36 | 1745615 | Mower Base Assembly (1) | 1 | 89 | • 1100808 | Hex Screw 5/16-18 x 1-1/4 | 7 |
| | 1748092 | Mower Base Assembly (2) | 1 | 90 | 1100257 | Flat Washer, 1/2 | 5 |
| | 1753734 | Mower Base Assembly (Incl. Ref. 23 & 58) (3) (4) | 1 | 91 | 1746172 | Spacer | 2 |
| 37 | • 1890234 | Flat Washer, 1/2 | 3 | 92 | 1752308 | Clevis Pin | 2 |
| 38 | 1731547 | Special Screw | 1 | 94 | 1742328 | Hook | 2 |
| 39 | 1185256 | Roll Pin, 3/16 x 7/8 | 1 | 95 | 1752129 | Chain (3) (4) | 2 |
| 40 | 1736945 | Guard Assembly | 1 | 96 | 1753009 | Clevis (3) (4) | 2 |
| 41 | 1745197 | Caution Decal | 1 | 97 | 1751908 | Circle Cotter Ring (3) (4) | 2 |
| 42 | 1185828 | Ball Bearing | 6 | 98 | 1110107 | Lock Nut (3) (4) | 2 |
| 43 | 1724029 | Spindle Housing | 3 | 99 | 1751909 | Cotter Spring (3) (4) | 4 |
| 44 | 1724033 | Spacer (1) (2) | 3 | 100 | 1751705 | Roller Shaft (3) (4) | 1 |
| | 1746869 | Spacer (3) (4) | 3 | 101 | 1751704 | Roller (3) (4) | 2 |
| 45 | 1742606 | Shaft Assembly | 3 | 102 | 1753978 | Grip (4) | 1 |
| 46 | 1726138 | Blade | 3 | 103 | 1103959 | Flat Washer (3) (4) | 1 |
| 47 | 1724051 | Plate | 3 | 104 | 1728030 | Spacer (3) (4) | 1 |
| 48 | • 1100362 | Cotter Pin, 3/32 x 1/2 | 2 | 105 | 1730681 | Spacer (3) (4) | 1 |
| 49 | • 1100009 | Capscrew, 3/8-24 x 1 | 6 | 106 | • 1100067 | Hex Screw 1/2-13 x 2 (3) (4) | 1 |
| 50 | 1104436 | Woodruff Key, 3/16 x 3/4 | 4 | | NI 1736796 | Dark Green Spray Paint, 13 oz. | |
| 51 | 1740627 | Flat Washer, Special | 3 | | | | |
| 52 | • 1100044 | Hex Capscrew, 5/16-18 x 3/4 | 1 | | | | |
| 53 | • 1100255 | Flat Washer, 5/16 | 2 | | | | |
| 54 | 1734514 | Lock Nut, 1/2-13 | 3 | | | | |

• Common Hardware-Purchase Locally (Grade 5 where applicable)

(1) Serial Number 0100101 thru 0199999
 (2) Serial Number 0200101 thru 0299999
 (3) Serial Number 0300101 thru 0399999
 (4) Serial Number 0400101 thru 0499999

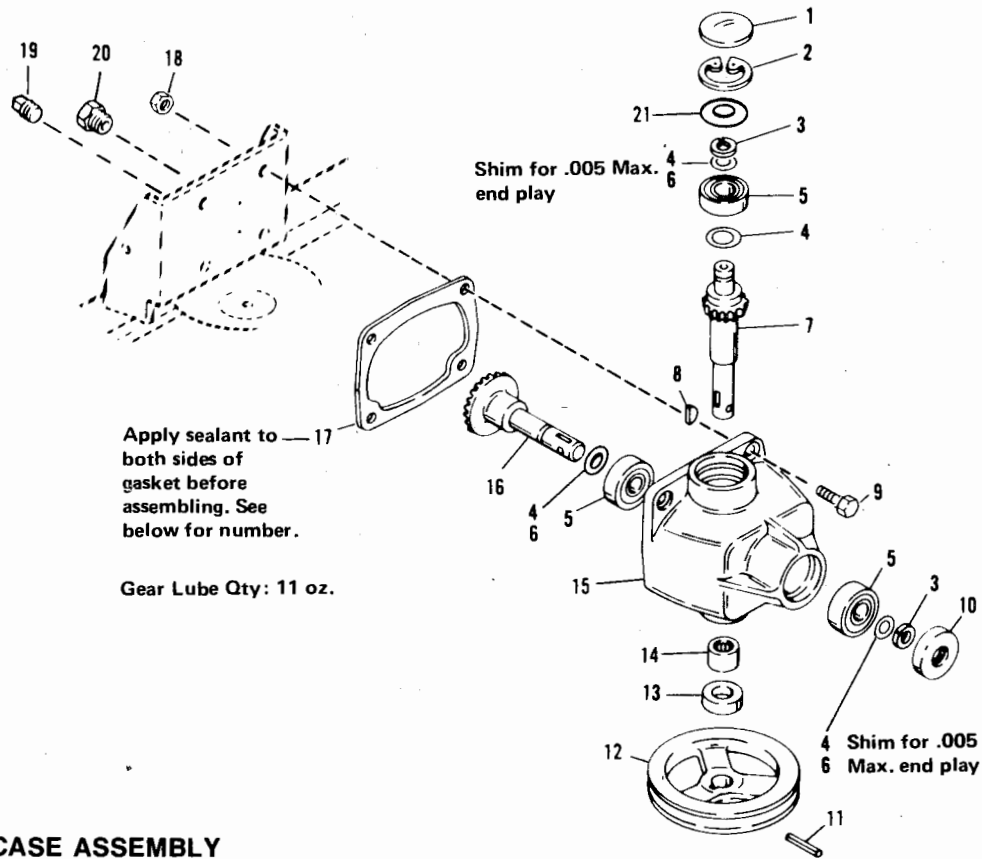


Figure 2 GEAR CASE ASSEMBLY

| REF. NO. | PART NO. | DESCRIPTION | NO. REQ'D. | REF. NO. | PART NO. | DESCRIPTION | NO. REQ'D. |
|----------|-----------|-----------------------------------|------------|----------|----------|-------------------------|------------|
| 1 | 1711380 | Expansion Plug | 1 | 12 | 1744919 | Drive Sheave | 1 |
| 2 | 1118730 | Retaining Ring | 1 | 13 | 1185296 | Oil Seal | 1 |
| 3 | 1185649 | Retaining Ring | 2 | 14 | 1185280 | Needle Bearing | 1 |
| 4 | 1728832 | Shim Washer .005 | AR | 15 | 1723754 | Gear Case | 1 |
| 5 | 1724813 | Ball Bearing | 3 | 16 | 1724906 | Bevel Gear, 26T | 1 |
| 6 | 1728833 | Shim .010 | AR | 17 | 1745476 | Gear Case Gasket | 1 |
| 7 | 1724905 | Output Shaft | 1 | 18 | 1732499 | Top Lock Nut, 5/16-18 | 4 |
| 8 | 1104436 | Woodruff Key, 3/16 x 3/4 | 1 | 19 | 1105678 | Square Plug, 3/8 NPT | 1 |
| 9 | ● 1100808 | Hex Hd. Capscrew, 5/16-18 x 1-1/4 | 4 | 20 | 1721442 | Pressure Relief Valve | 1 |
| 10 | 1723758 | Oil Seal | 1 | 21 | 1718781 | Shim .005 | AR |
| 11 | 1737419 | Drive Pin, 1/4 x 1-1/2 | 1 | NI | 1723456 | Gear Lube, EP90 (8 oz.) | |
| | | | | NI | 1730118 | Sealant 3 oz. | |

● Common Hardware - Purchase Locally (Grade 5 where applicable)