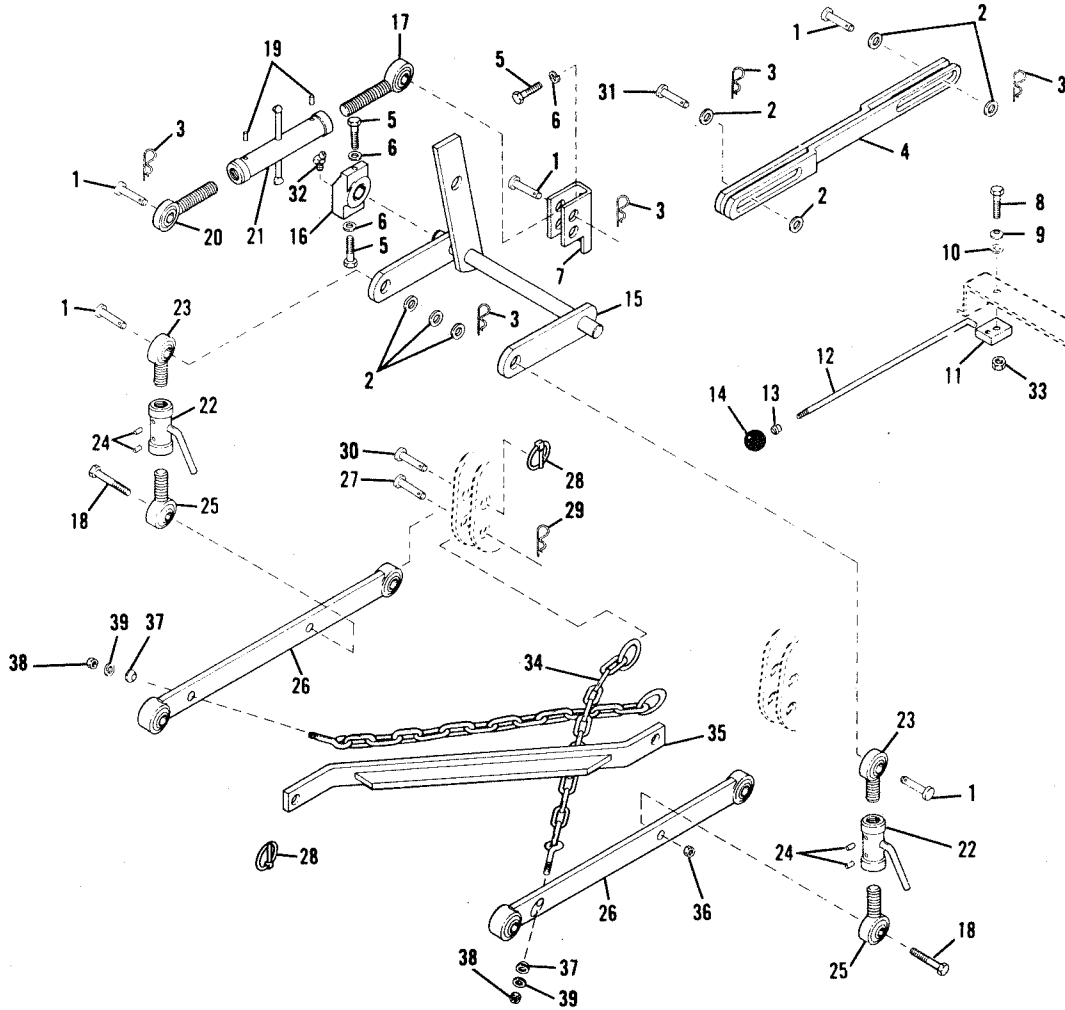


THREE POINT HITCH

MODEL 18086



REF. NO.	PART NO.	DESCRIPTION	NO. REQ'D.	REF. NO.	PART NO.	DESCRIPTION	NO. REQ'D.
1	1724640	Pin - Clevis, 5/8 x 2-1/4	5	20	1719578	Stud Ass'y, R.H	2
2	1107386	Washer - Flat, 5/8	10	21	1724797	Link Ass'y-Adjusting (Incl. Ref No's 17, 19 & 20)	1
3	1185590	Hairpin - Cotter	6	22	1724793	Link Ass'y-Adjusting (Incl. Ref No's 23, 24 & 25)	2
4	1724634	Link Assembly - Lift	1	23	1724786	L.H. Stud	2
5	1100054	Screw - Hex Hd. Cap 1/2 - 13 x 1	6	24	1185256	Drive Pin	4
6	1100245	Washer-Spring Lock, 1/2	6	25	1724785	R. H. Stud	2
7	1731553	Bracket - Hitch	1	26	1724735	Bar Assembly - Draw	2
8	1100043	Screw - Hex Hd. Cap 3/8 - 16 x 1-1/4	1	27	1734938	Pin - Clevis	2
9	1703616	Washer - Bowed	1	28	1719349	Pin - Retaining	4
10	1107383	Washer - Flat, 3/8	1	29	135035	Hairspring - Cotter	2
11	1724782	Block Assembly	1	30	1724777	Pin-Clevis, 5/8 x 3-13/16	2
12	1724780	Rod - Control	1	31	1724639	Pin-Clevis, 5/8 x 1-1/2	1
13	1724779	Bearing - Snap	1	32	1100758	Hydraulic Fitting	2
14	1711850	Knob - Control	1	33	1186231	Nut - Hex, 3/8-16	1
15	1724410	Shaft Assembly - Pivot	1	34	1719582	Chain Assembly	2
16	1724409	Support - Pivot Shaft	2	35	1721580	Bar Assembly - Sway	1
17	1719579	Stud Ass'y, L.H.	2	36	1186235	Nut - Hex, 5/8-11	2
18	1107064	Screw - Hex Hd. Cap 5/8 - 11 x 2	2	37	1715525	Pivot	2
19	1185277	Drive Pin	4	38	1110107	Nut-Self Locking, 5/16-18	2
				39	1107382	Washer - Flat, 5/16	2