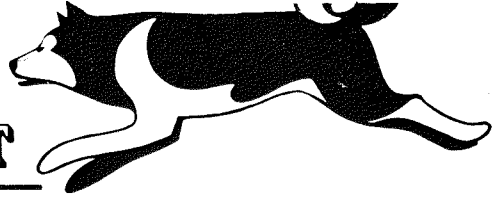
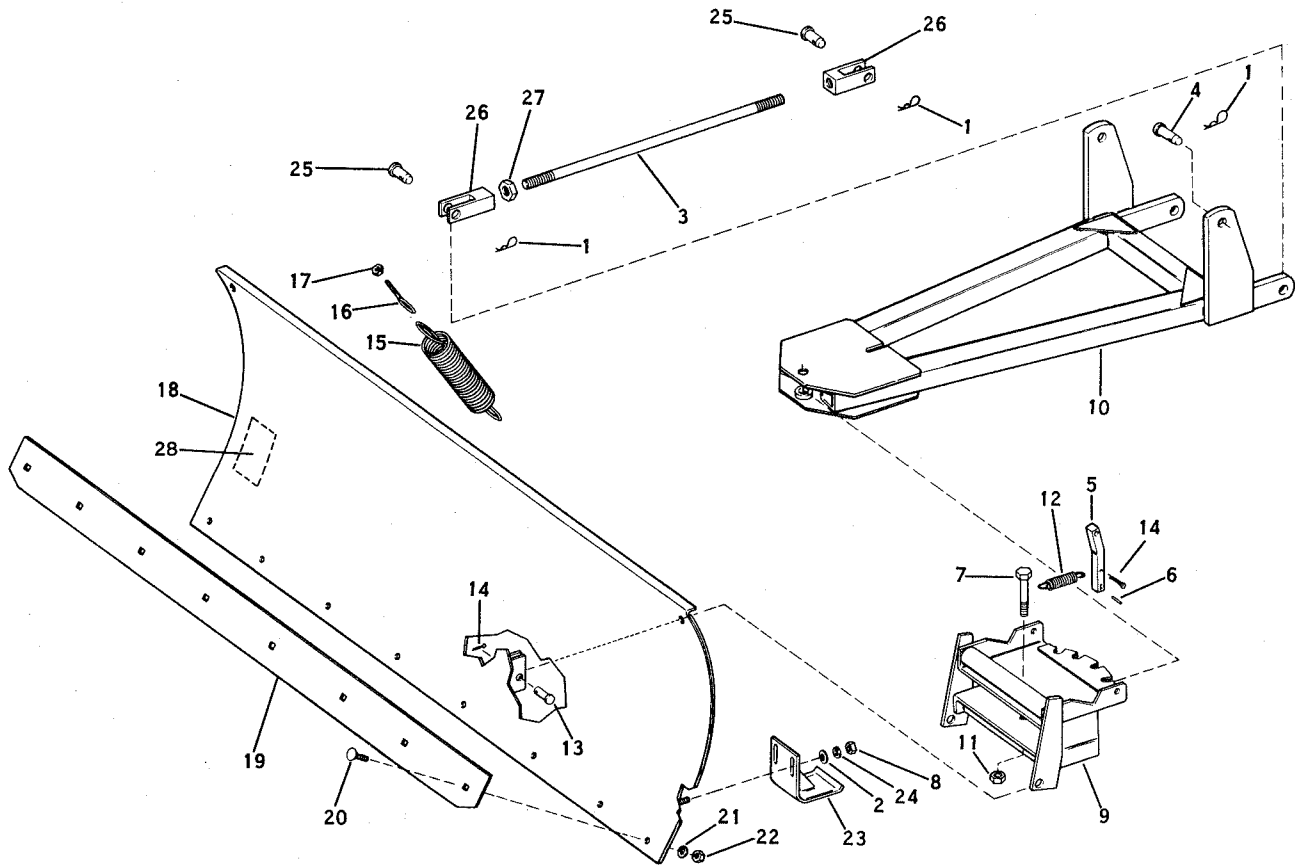


BOLENS



ILLUSTRATED PARTS LIST

FMC CORPORATION®
54" SNOWPLOW ATTACHMENT
MODELS 18054-01 & 18054-02



| Ref. No. | Part No. | Description | No. Req'd. |
|----------|----------|--------------------------------|------------|
| 1 | 1703 011 | Spring Cotter | 6 |
| 2 | 1107 383 | Flat Washer, 3/8 | 4 |
| 3 | 1719 096 | Push Rod | 2 |
| 4 | 1719 095 | Clevis Pin (Model 18054-01) | 2 |
| | 1709 622 | Clevis Pin (Model 18054-02) | 2 |
| 5 | 1714 830 | Latch Pin | 1 |
| 6 | 1704 692 | Roll Pin, 1/8 x 1 | 2 |
| 7 | 1107 072 | Capscrew, 5/8-11 x 3 | 1 |
| 8 | 1103 840 | Hex Nut, 3/8-16 | 4 |
| 9 | 1719 327 | Pivot Plate | 1 |
| 10 | 1719 092 | Hitch | 1 |
| 11 | 1110 112 | Lock Nut, 5/8-11 | 1 |
| 12 | 1700 401 | Spring | 1 |
| 13 | 1708 125 | Clevis Pin, 1/2 x 1-1/16 | 2 |

| Ref. No. | Part No. | Description | No. Req'd. |
|----------|----------|----------------------------------|------------|
| 14 | 1100 349 | Cotter Pin, 1/8 x 3/4 | 3 |
| 15 | 1714 844 | Spring | 2 |
| 16 | 1713 077 | Eye Bolt | 2 |
| 17 | 1110 107 | Lock Nut, 5/16-18 | 2 |
| 18 | 1719 089 | Blade | 1 |
| 19 | 1719 090 | Scraper Blade | 1 |
| 20 | 1111 266 | Carriage Bolt, 5/16-18 x 1 | 8 |
| 21 | 1100 242 | Lockwasher, 5/16 | 8 |
| 22 | 1103 839 | Nut, 5/16-18 | 8 |
| 23 | 1715 754 | Shoe | 2 |
| 24 | 1100 243 | Lockwasher, 3/8 | 4 |
| 25 | 1713 553 | Clevis Pin | 4 |
| 26 | 1714 573 | End Rod | 4 |
| 27 | 1108 891 | Jam Nut, 5/8-11 | 2 |
| 28 | 1725 532 | Decal-Bolens (Model 18054-02) | 1 |



BOLENS

PORT WASHINGTON, WISCONSIN, U.S.A.

PRINTED IN U.S.A.

FORM NO. P-552634 (8/72)

Supersedes Form No. P-551779

PRINTED AT BOLENS