

OWNER MANUAL

OIL COOLER KIT WITH PARTS LIST

FORWARD

This Oil Cooler Kit is shipped complete with all the parts required to mount it to your tractor.

If the tractor has a power steering kit installed refer to the power steering instructions for interconnecting with the cooler.

ASSEMBLY

1. Remove hood and hood hinge assembly.
2. Disconnect negative (-) battery cable.
3. Remove seat and fender assembly.

NOTE: IF TRACTOR HAS A POWER STEERING KIT INSTALLED, OMIT STEPS 4 THROUGH 7.

4. Remove discharge line from hydrostatic and control valve. See figure 1.

NOTE: A 11/16" CROW FOOT WRENCH WITH A 3/8" UNIVERSAL JOINT AND LONG EXTENSION MAY BE NEEDED TO REMOVE THE FITTING FROM THE CONTROL VALVE.

5. Position long oil tube assembly as shown in Figures 2 and 3. This tube runs along the right side of steering column.

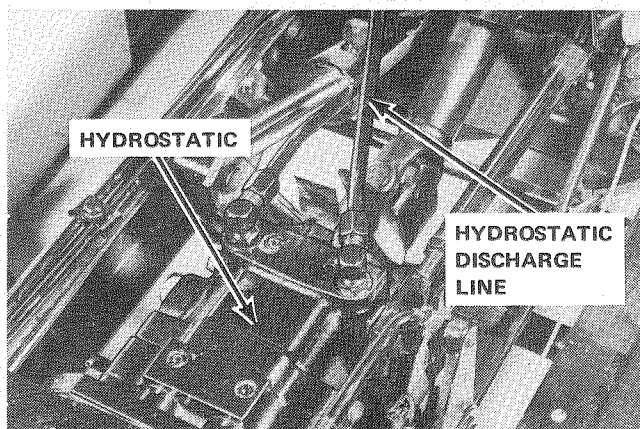


Figure 1

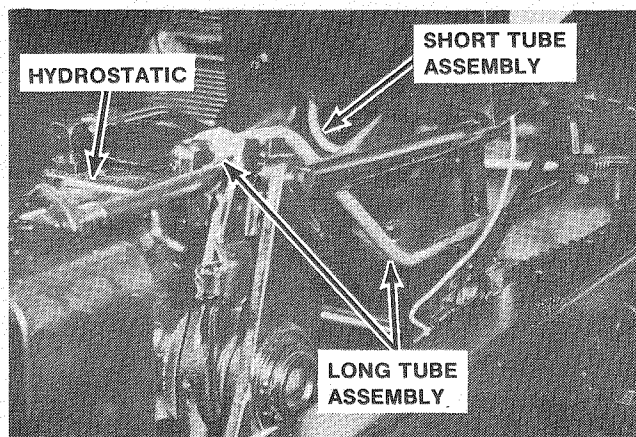


Figure 2

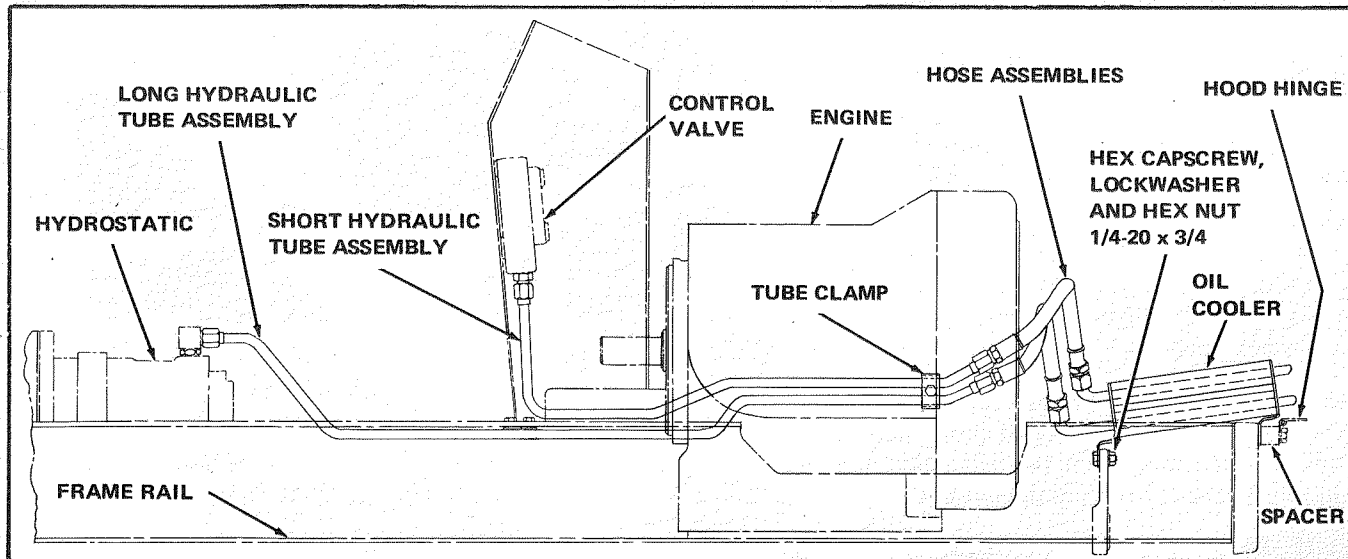


Figure 3

NOTE: TO PREVENT THE FITTINGS FROM SLIDING DOWN THE TUBES DURING INSTALLATION, TAPE SHOULD BE WRAPPED AROUND THE TUBE BELOW THE FITTINGS.

6. Install short tube assembly. Connect to port on control valve from which hydrostatic line was removed in step 3. See figures 3 and 4.

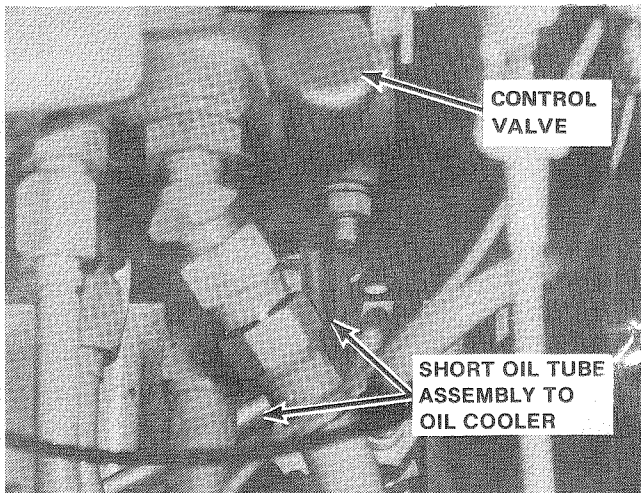


Figure 4

7. Remove baffle plate on lower Right side of engine. Remove hex capscrew from lower Right Hand corner of engine shroud; see figures 3 and 5. Place one composition washer under both tubes in a vertical position at this point. Place second composition washer over both tubes in a vertical position and secure with double tube clamp, hex capscrew 1/4-20 x 1-1/4 and lock-washer; see figures 3 and 5.

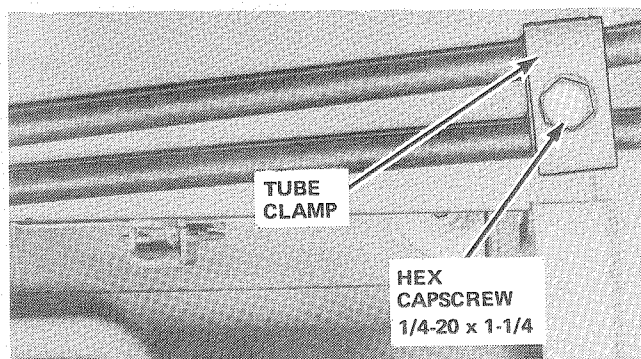


Figure 5

8. Loosen nut on belt guide finger approximately 3/16 inches. Install hex capscrew 1/4-20 x 3/4 and hex nut into axle support; see figure 6. Leave nut on capscrew loose as on belt guide.

9. Place cooler over top of axle support as shown in figures 3, 6 and 7. Place rear leg of cooler between the axle support and the nuts on the belt guide and cap-screw in step 8 above. Securely tighten both nuts.

NOTE: IF REAR LEG OF COOLER DOES NOT HAVE SLOTTED HOLES, SLOT THE HOLES FOR EASIER INSTALLATION.

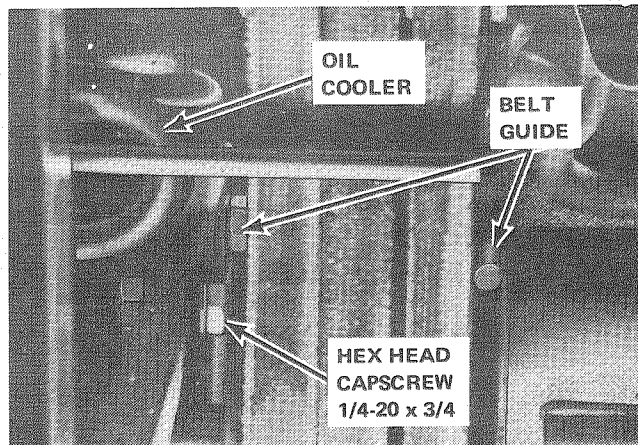


Figure 6

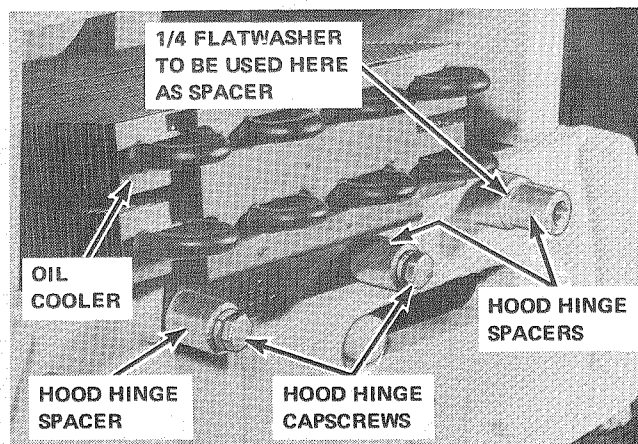


Figure 7

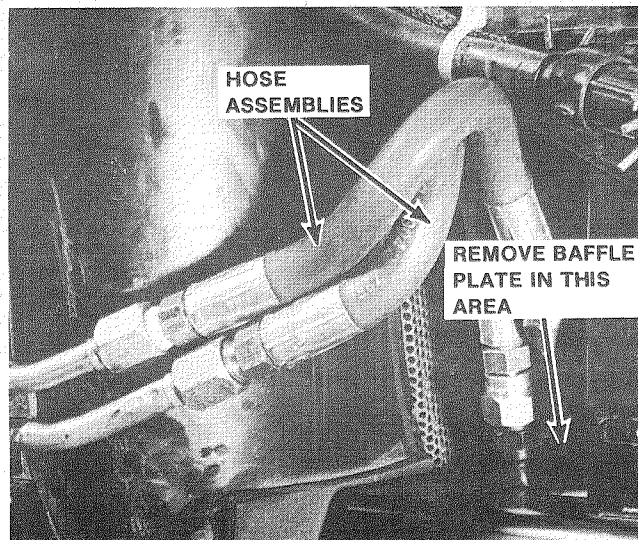


Figure 8

10. Reinstall hood and hood hinge. Place hood hinge spacers between cooler bracket and hood hinge. Place 1/4 inch flat washer under Left hood hinge spacer. See figure 7.

11. Install one hose assembly from lower (long) tube assembly to lower connection on cooler; see figure 8.

12. Install other hose assembly from upper (short) tube assembly to upper connection on cooler; see figure 8.

13. Reconnect negative (-) battery cable.

14. Start engine and check for hydraulic oil leaks and correct. Check oil level and add to bring to operating level.



BE CAREFUL NOT TO COME INTO CONTACT WITH ROTATING COOLING FAN ON THE HYDROSTATIC INPUT SHAFT. INJURY COULD OCCUR.

15. Replace fender and seat assembly and connect taillight and headlights.

OIL COOLER KIT MODEL 18087-02

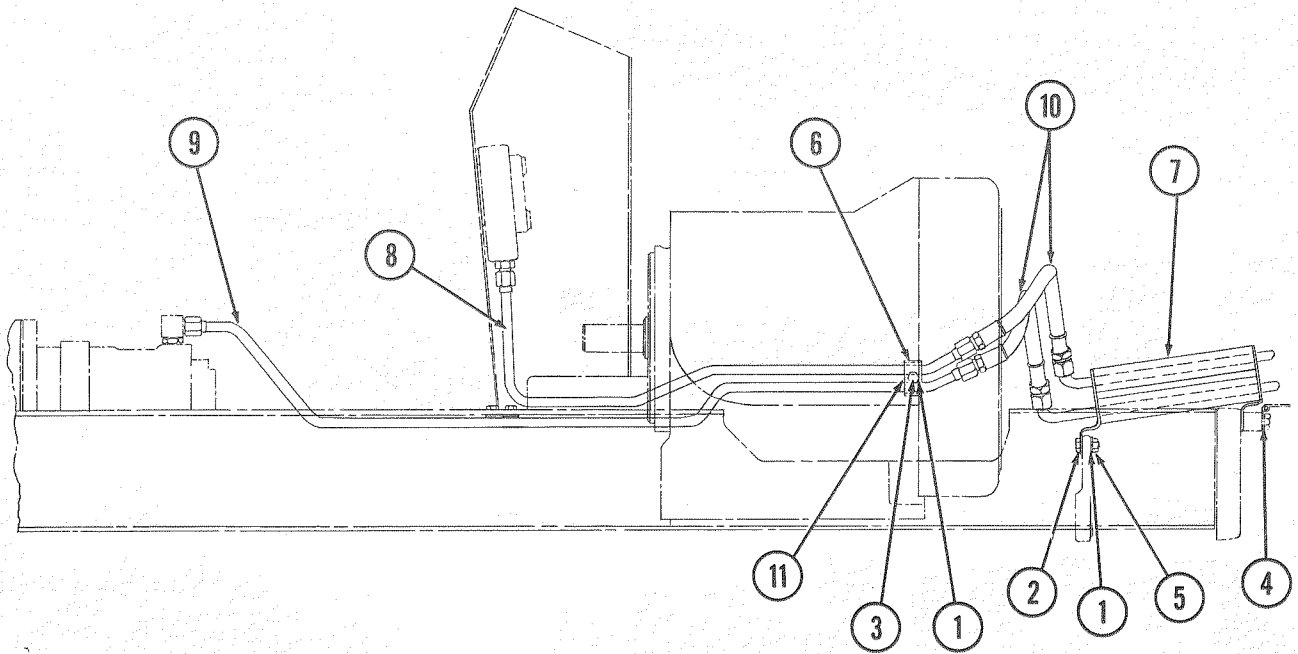


Figure 9

REF. NO.	PART NO.	DESCRIPTION	NO. REQ'D.
1	110-0241	Lockwasher - 1/4	2
2	110-0805	Hex Hd. Capscrew - 1/4-20 x 3/4	1
3	110-0806	Hex. Hd. Capscrew - 1/4-20 x 1-1/4.....	1
4	110-7381	Flat Washer - 1/4	1
5	112-1507	Hex Nut - 1/4-20.....	1
6	172-2667	Tubing Clamp	1
7	172-4752	Oil Cooler.....	1
8	172-4753	Tube Assembly - Short	1
9	172-7385	Tube Assembly - Long.....	1
10	172-4756	Hose Assembly	2
11	172-5658	Composition Washers.....	2