

# BOLENS

---

**TILLER  
ATTACHMENT  
25 INCH  
MODEL 18614-01**

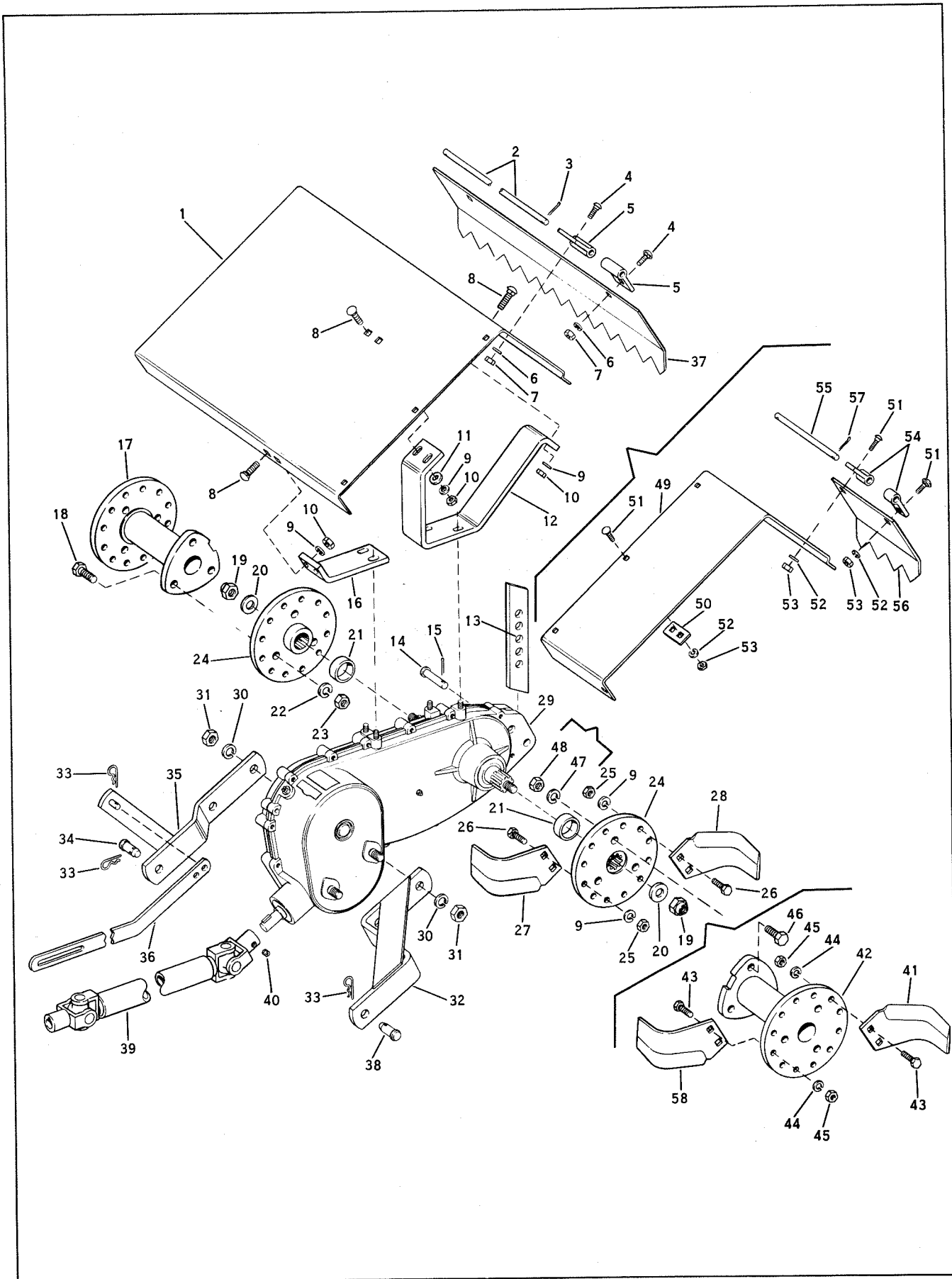
## **ILLUSTRATED PARTS CATALOG**

# **BOLENS**

PORT WASHINGTON, WISCONSIN, U.S.A.

FORM NO. P-551665-1  
REPLACES ISSUE OF 9/66  
REISSUED 5/68

# TILLER ATTACHMENT MODEL 18614-01



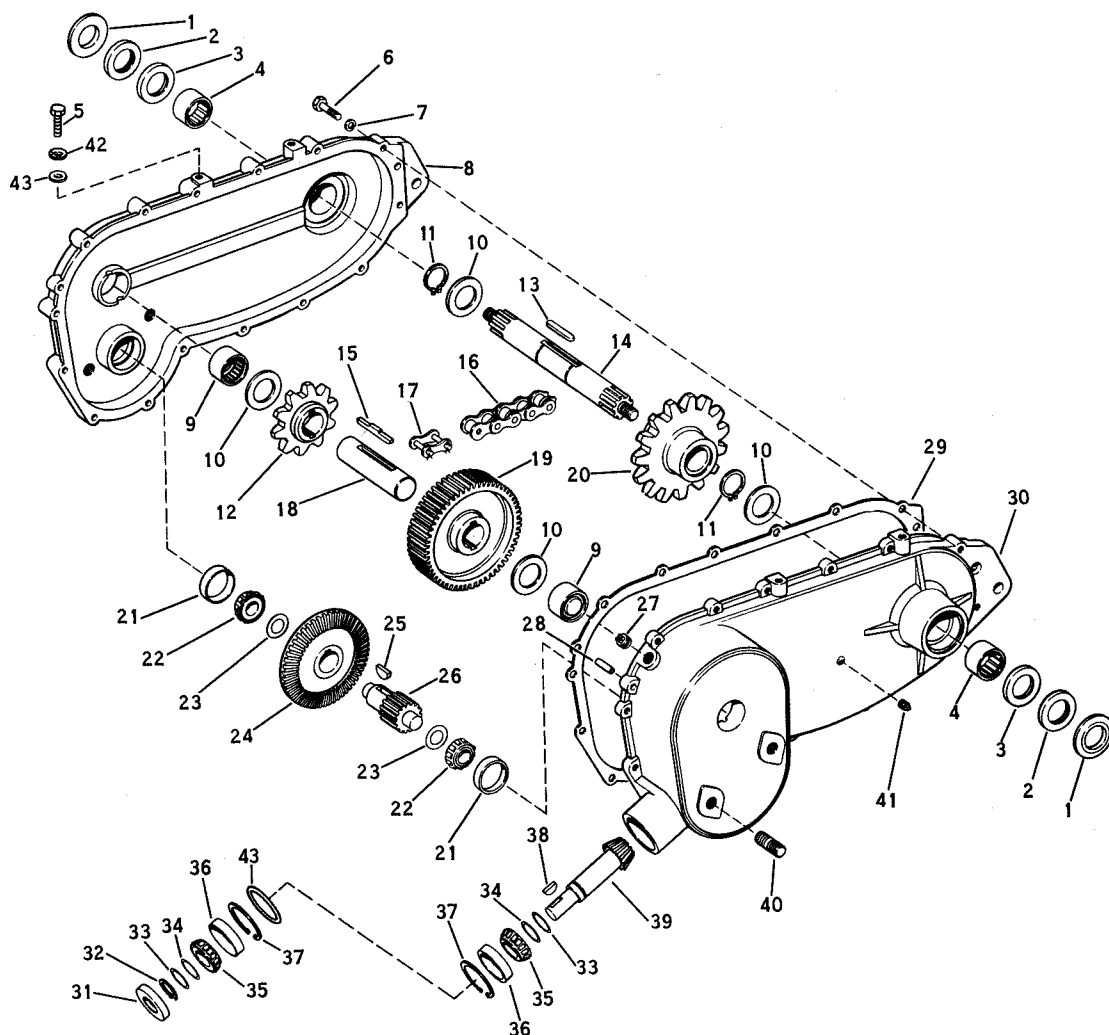
TILLER ATTACHMENT MODEL 18614-01

Ref. No.	Part No.	Description	No. Req'd.
1	1718201	Hood	1
2	1718198	Hinge Pin	1
3	1100346	Cotter Pin 3/32 x 3/4	2
4	1111265	Carriage Bolt 5/16-18 x 3/4	4
5	1718196	Hinge	4
6	1100242	Lockwasher 5/16	4
7	1182563	Hex Nut 5/16-18	4
8	1111285	Carriage Bolt 3/8-16 x 1	6
9	1100243	Lockwasher	42
10	1110108	Lock Nut 3/8-16	6
11	1107383	Flat Washer 3/8	2
12	1718206	Rear Hood Bracket	1
13	1718189	Center Shoe	1
14	1708336	Clevis Pin	1
15	1100350	Cotter Pin 1/8 x 1	1
16	1718205	Front Hood Bracket	1
17	1718138	Spacer	1
18	1107033	Hex Head Capscrew 1/2-13 x 1-3/4	3
19	1185229	Hex Lock Nut 5/8-18	2
20	1800041	Spacer Washer	2
21	1718170	Sleeve	2
22	1100245	Lockwasher 1/2	3
23	1121511	Hex Nut 1/2-13	3
24	1718140	Tiller Hub	2
25	1110150	Hex Nut 3/8-24	36
26	1100010	Hex Head Capscrew 3/8-24 x 1-1/4 H.T.	36
27	1709387	R.H. Bend Tine	9
28	1709388	L.H. Bend Tine	9
29	1718227	Gear Case Assembly	1
30	1100247	Lockwasher 5/8	4
31	1121513	Hex Nut 5/8-11	4
32	1718165	Support Arm Assembly	1

Ref. No.	Part No.	Description	No. Req'd.
33	1703011	Spring Cotter	3
34	1713553	Clevis Pin 5/8 x 1-5/8	1
35	1718169	Support Arm Assembly	1
36	1713506	Lift Link	1
37	1718203	Leveling Board	1
38	1713501	Clevis Pin	1
MODEL 18612 DRIVESHAFT ASSEMBLY			
39	1713550	Driveshaft	1
40	1103494	Set Screw 3/8-16 x 1/2	1
MODEL 18615 TINE EXTENSION AND HOOD			
41	1709388	L.H. Bend Tine	3
42	1718138	Spacer	1
43	1100010	Hex Head Capscrew 3/8-24 x 1-1/4 H.T.	12
44	1100243	Lockwasher 3/8	12
45	1110150	Hex Nut 3/8-24	12
46	1107033	Hex Head Capscrew 1/2-13 x 1-3/4	3
47	1100245	Lockwasher 1/2	3
48	1121511	Hex Nut 1/2-13	3
49	1718202	Hood Ext	1
50	1718207	Connector	5
51	1111265	Carriage Bolt 5/16-18 x 3/4	10
52	1100242	Lockwasher 5/16	10
53	1182563	Hex Nut 5/16-18	10
54	1718197	Hinge	2
55	1718199	Hinge Pin	1
56	1718204	Leveling Board	1
57	1100346	Cotter Pin 3/32 x 3/4	2
58	1709387	R.H. Bend Tine	3

FORM NO. P-551665-1

# TILLER ATTACHMENT MODEL 18614-01



Ref. No.	Part No.	Description	No. Req'd.
1	1718153	Seal Washer	2
2	1185630	Oil Seal	2
3	1185629	Oil Seal	2
4	1185721	Needle Bearing	2
5	1719673	Capscrew 3/8-16 x 1-1/4	4
6	1100779	Hex Head Capscrew 5/16-18 x 1-3/4	15
7	1100242	Lockwasher 5/16	15
8	1720395	Gearcase Cover	1
9	1185720	Needle Bearing	2
10	1710530	Thrust Washer	4
11	1118816	Retaining Ring	2
12	1718147	Sprocket 10-Tooth 1 Inch Pitch	1
13	1718149	Square Key 5/16 x 2-1/4	1
14	1718141	Tine Shaft	1
15	1718143	Special Key	2
16	1718151	Roller Chain 1 Inch Pitch	1
17	1718152	Roller Chain Connector	1
18	1718146	Shaft	1
19	1718210	Gear 56 Tooth	1
20	1718212	Sprocket 15-Tooth 1 Inch Pitch	1
21	1185276	Bearing Cup	2

Ref. No.	Part No.	Description	No. Req'd.
22	1185275	Bearing Cone	2
23	1701446	Shim 3/4 x .005	As Req'd.
24	1718113	Bevel Gear 51 Tooth	1
25	1708382	Woodruff Key	1
26	1718144	Pinion	1
27	1706566	Plug Assembly	1
28	1185206	Drive Pin	2
29	1718142	Gasket	1
30	1720394	Tiller Case	1
31	1185687	Oil Seal	1
32	1185689	Retaining Ring	1
33	1701448	Shim 1 x .005	As Req'd.
34	1718193	Shim 1 x .020	As Req'd.
35	1185661	Bearing Cone	2
36	1185660	Bearing Cup	2
37	1118735	Retaining Ring	2
38	1104436	Woodruff Key 3/16 x 3/4	1
39	1718112	Pinion 13 Tooth	1
40	1113754	Stud 5/8-11 x 2	4
41	1185741	Pipe Plug 1/8	1
42	1100243	Lockwasher 3/8	4
43	1719442	Shim 1.978 x .005	As Req'd.