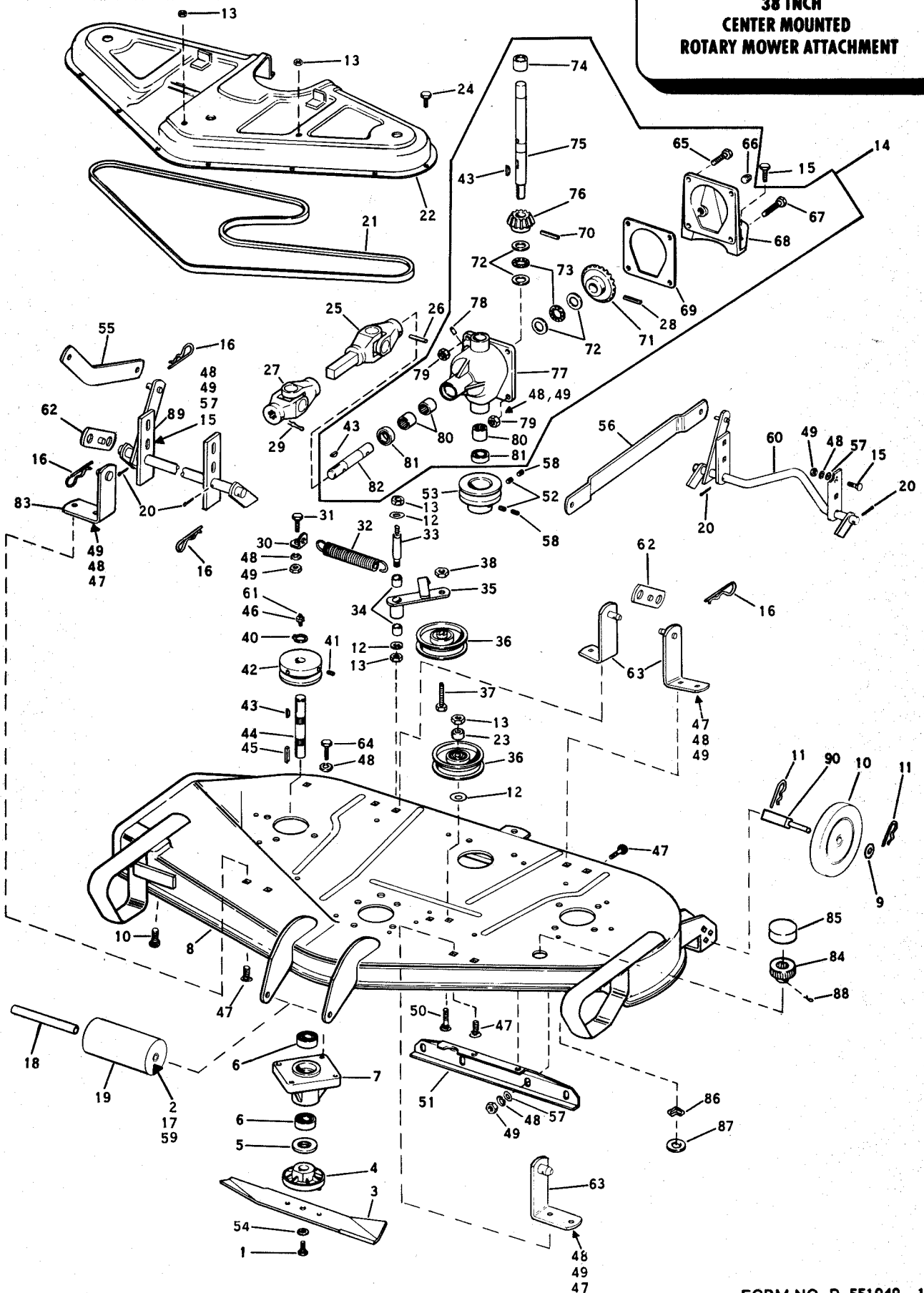


ILLUSTRATED PARTS LIST

MODEL 18416-01
MODEL 18416-02

38 INCH
CENTER MOUNTED
ROTARY MOWER ATTACHMENT



38" ROTARY MOWER 18416-01 AND 18416-02

Ref. No.	Part No.	Description	No. Req'd
1	1111 709	Capscrew-H.T. 3/8-24 x 7/8	3
2	1100 243	Lockwasher 3/8	1
3	1714 727	Cutter Blade	3
4	1711 879	Drive Hub	3
5	1712 566	Slinger	3
6	1120 502	Ball Bearing	6
7	1719 465	Bearing Housing	3
8	1721 310	Base	1
9	1890 234	Flat Washer 1/2	4
10	1716 793	Wheel 5 x 1-3/8	2
11	1100 349	Cotter Pin 1/8 - 3/4	2
12	1107 383	Flat Washer 3/8	3
13	1110 108	Lock Nut 3/8-16	4
14	1716 413	Gear Case Assy	1
15	1106 876	Capscrew 5/16-18 x 7/8	11
16	1703 011	Spring Cotter	10
17	1106 958	Capscrew 3/8-16 x 6	1
18	1720 578	Spacer	1
19	1720 577	Roller	1
20	1100 350	Cotter Pin 1/8 x 1	4
21	1714 799	Drive Belt 75"	1
22	1721 066	Belt Guard	1
23	1716 896	Spacer	1
24	1185 671	Capscrew 1/4-20 x 1/2	14
*25	1713 650	Universal Joint and Shaft	1
26	1185 220	Roll Pin 3/16 x 1-1/2	1
*27	1715 008	Universal Joint	1
28	1185 284	Roll Pin 1/4 x 2	1
29	1716 369	Cotter Pin - Special	1
30	1713 686	Bracket	1
31	1106 872	Capscrew 5/16-18 x 5/8	1
32	1701 322	Spring	1
33	1715 537	Stud	1
34	1715 538	Bronze Bearing	2
35	1716 894	Idler Arm	1
36	1714 742	Idler Pulley	2
37	1107 207	Capscrew 3/8-24 x 1-1/4	1
38	1121 709	Jam Nut 3/8-24	1
39	1719 672	Klic Pin	2
40	1118 809	Retaining Ring	3
41	1103 470	Set Screw 5/16-18 x 1/2	6
42	1714 758	Blade Drive Pulley	3
43	1104 436	Woodruff Key 3/16 x 3/4	5
44	1719 436	Drive Shaft	3
45	1185 188	Sq. Key 3/16 x 7/8	3
46	1104 954	Grease Fitting (Outer Shafts Only)	2

Ref. No.	Part No.	Description	No. Req'd
47	1111 265	Carriage Bolt 5/16-18 x 3/4	10
48	1100 242	Lockwasher 5/16	22
49	1182 563	Hex Nut 5/16-18	22
50	1102 821	Carriage Bolt 3/8-16 x 2 (Idler Pulley)	1
51	1720 199	Gear Box Support	1
52	1185 550	Set Screw 3/8-16 x 5/16	2
53	1714 762	Pulley	1
54	1185 715	Lockwasher Pyramidal	3
55	1720 479	Control Link	1
56	1720 480	Link	1
57	1100 255	Flat Washer 5/16	9
58	1185 551	Lock Screw 3/8-16 x 3/16	2
59	1121 509	Hex Nut 3/8-16	1
60	1720 493	Rear Lift Arm	1
61	1110 086	Grease Fitting 45° (Center Shaft Only)	1
62	1720 491	Lift Arm	4
63	1720 487	Bracket	3
64	1185 670	Capscrew 5/16-18 x 7/8	12
65	1106 878	Capscrew 5/16-18 x 1	2
66	1105 678	Plug	1
67	1106 882	Capscrew 5/16-18 x 1-1/4	2
68	1716 386	Gear Case Support	1
69	1713 662	Gasket	1
70	1185 218	Roll Pin 1/4 x 1-1/8	1
71	1715 634	Gear - 19T	1
72	1185 432	Thrust Race	4
73	1185 431	Thrust Bearing	2
74	1713 665	Needle Bearing	1
75	1714 754	Vertical Shaft	1
76	1715 635	Gear - 16T	1
77	1716 345	Gear Case Only	1
78	1185 626	Air Vent Fitting	1
79	1110 107	Lock Nut 5/16-18	4
80	1185 010	Needle Bearing	3
81	1185 296	Seal	2
82	1713 676	Horizontal Shaft	1
83	1720 488	Bracket R.H. Front	1
84	1719 461	Washout Flange	1
85	1719 467	Protector Cap	1
86	1719 469	Wave Washer	1
87	1703 073	Thrust Washer	1
88	1100 352	Cotter Pin 1/8 x 1-1/2	1
89	1720 492	Lift Arm Front	1
90	1719 742	Wheel Gauge Axle	2

* 1714 207 Repair Kit for Joint Marked 6N
 * 1714 208 Repair Kit for Joint Marked NEAPCO



PORT WASHINGTON, WISCONSIN, U.S.A.