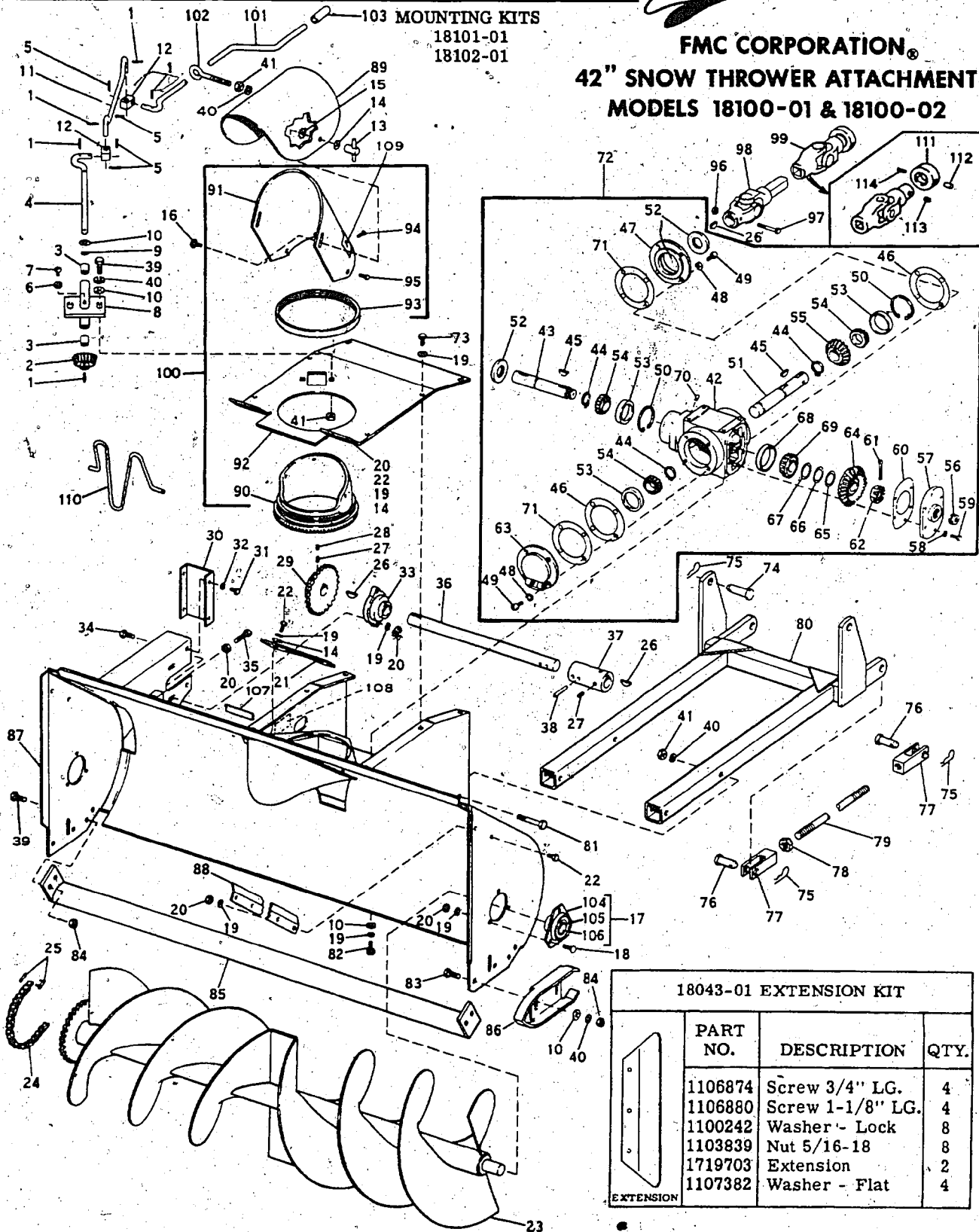


# BOLENS



## ILLUSTRATED PARTS LIST

FMC CORPORATION®  
**42" SNOW THROWER ATTACHMENT**  
**MODELS 18100-01 & 18100-02**



18043-01 EXTENSION KIT			
PART NO.	DESCRIPTION	QTY.	
1106874	Screw 3/4" LG.	4	
1106880	Screw 1-1/8" LG.	4	
1100242	Washer - Lock	8	
1103839	Nut 5/16-18	8	
1719703	Extension	2	
1107382	Washer - Flat	4	

**42" SNOW THROWER ATTACHMENT MODELS 18100-01 & 18100-02**

Ref. No.	Part No.	Description	No. Req'd.
1	1703 066	Drive Pin, 1/8 x 3/4 (Model 18100-01)	7
	1177 625	Drive Pin, 1/8 x 3/4 (Model 18100-02)	7
2	1714 367	Chute Control Pinion	1
3	1185 395	Sleeve Bearing	2
4	1717 017	Chute Control Shaft	1
5	1100 349	Cotter Pin, 1/8 x 3/4	5
6	1121 507	Hex Nut, 1/4-20	1
7	1102 571	Mach. Screw, 1/4-20 x 3/4	1
8	1719 333	Chute Control Assembly	1
9	1705 119	Bowed Washer	AR
10	1107 383	Flat Washer, 3/8	11
11	1719 344	Chute Control Rod	1
12	1714 782	Swivel Block	2
13	1714 373	Wing Nut	2
14	1107 382	Flat Washer, 5/16	6
15	1185 569	Snakeproof Washer	2
16	1185 518	Square Bolt, 1/4-20 x 5/8	2
17	1717 076	Self-Aligning Br. Assy. (Incl. Ref. Nos. 104, 105 & 106)	2
18	1111 265	Carr. Bolt, 5/16-18 x 3/4	6
19	1100 242	Lockwasher, 5/16	26
20	1182 563	Hex Nut, 5/16-18	15
21	1718 714	Closure Plate	1
22	1106 872	Capscrew, 5/16-18 x 5/8	8
23	1721 278	Rotor Assembly	1
24	1719 343	Drive Chain	1
25	1185 026	Connector Link	1
26	1100 276	Woodruff Key, 1/4 x 7/8	3
27	1182 554	Set Screw, 5/16-18 x 5/16	4
28	1185 259	Set Screw, 5/16-18 x 1/4	2
29	1718 757	Sprocket - 26 T	1
30	1718 771	End Cover	1
31	1106 830	Capscrew, 1/4-20 x 1/2	4
32	1100 241	Lockwasher, 1/4	4
33	1718 764	Self-Aligning Bearing	1
34	1111 266	Carr. Bolt, 5/16-18 x 1	2
35	1185 742	Capscrew, 5/16-18 x 2	1
36	1718 715	Rotor Drive Shaft	1
37	1718 718	Coupling	1
38	1187 614	Drive Pin, 1/4 x 1-3/4	1
39	1111 284	Carr. Bolt, 3/8-16 x 3/4	6
40	1100 243	Lockwasher, 3/8	12
41	1121 509	Hex Nut, 3/8-16	9
42	1719 710	Gear Case (Incl. Ref. Nos. 65, 66, 67, 68 & 69)	1
43	1718 721	Shaft, Output	1
44	1185 689	Retaining Ring	3
45	1709 611	Woodruff Key, 1/4 x 7/8	2
46	1717 456	Gear Box Gasket	AR
47	1717 454	Bearing Retainer	1
48	1100 242	Lockwasher, 5/16	8
49	1185 686	Capscrew, 5/16-18 x 3/4	8
50	1118 735	Retaining Ring	2
51	1718 720	Shaft, Input	1
52	1185 687	Oil Seal	2
53	1185 660	Bearing Cup	3
54	1185 661	Bearing Cone	3
55	1717 457	Bevel Pinion - 18 T	1
56	1100 937	Pipe Plug, 3/4 N. P. T.	1
57	1717 448	Cover	1
58	1100 241	Lockwasher, 1/4	6
59	1185 684	Capscrew, 1/4-20 x 5/8	6
60	1717 449	Gasket	1

Ref. No.	Part No.	Description	No. Req'd.
61	1100 352	Cotter Pin, 1/8 x 1-1/2	1
62	1185 662	Slotted Nut, 7/8-14	1
63	1718 620	Bearing Retainer	1
64	1717 459	Bevel Gear - 29 T	1
65	1800 750	Shim - .003	1
66	1800 751	Shim - .005	1
67	1800 338	Shim - .015	1
68	1185 118	Bearing Cup	1
69	1185 688	Bearing Cone	1
70	182 682	Breather	1
71	1719 501	Gear Box Gasket	AR
72	1718 740	Gear Box Assembly	1
73	1106 870	Capscrew, 5/16-18 x 1/2	6
74	1709 622	Clevis Pin	2
75	1703 011	Spring Cotter	6
76	1713 553	Clevis Pin	4
77	1714 573	End Rod	4
78	1108 891	Jam Nut, 5/8-11	2
**79	1719 096	Push Rod (Model #18101-01)	2
	1722 631	Push Rod (Model #18102-01)	2
80	1718 713	Hitch Assembly	1
81	1106 934	Capscrew, 3/8-16 x 2-1/4	4
82	1106 874	Capscrew, 5/16-18 x 3/4	4
83	1111 285	Carriage Bolt, 3/8-16 x 1	4
84	1110 108	Self-Locking Nut, 3/8-16	8
85	1718 734	Scrap Assembly	1
86	1715 011	Shoe	2
87	1721 277	Rotor Housing Assembly	1
88	1715 427	Drift Slicer (Model 18100-01)	2
89	1718 723	Deflector Cap	1
90	1718 730	Swivel Duct	1
91	1718 722	Outlet Duct	1
92	1718 724	Gear Cover	1
93	1719 394	Seal Ring	1
94	1104 045	Button Rivet, 3/16 x 1/2	2
95	1100 617	Button Rivet, 3/16 x 3/4	2
96	1110 106	Lock Nut, 1/4-20	1
97	1106 849	Capscrew, 1/4-20 x 1-3/4	1
*98	1718 618	Universal Joint Assembly	1
*99	1722 918	Universal Joint Assy. (Incl. Ref. Nos. 111 thru 114)	1
100	1718 739	Duct Assy. (Incl. Ref. Nos. 90, 91, 92, 93, 94 & 95)	1
**101	1719 345	Crank Handle Rod (Model #18101-01)	1
	1722 629	Crank Handle Rod (Model #18101-02)	1
102	1712 920	Eye Bolt	2
103	1715 685	Grip	1
104	1185 787	Flange	4
105	1185 788	Collar	2
106	1185 587	Bearing Only	2
107	1716 053	Decal (Bolens) (18100-01)	1
	1725 532	Decal (Bolens) (18100-02)	1
108	1719 347	Decal, Shear Pin	1
109	1715 670	Decal, (Caution) (18100-01)	1
	1724 816	Decal, (Caution) (18100-02)	1
110	1722 501	Chute Guard (18100-02)	1
111	1722 914	Lock Collar	1
112	1185 917	Drive Pin, 7/32 x 1/2	1
113	1722 916	Spring	1
114	1185 916	Groove Pin, 3/16 x 3/8	1

\*1714207 Repair Kit for Joint Marked 6N  
\*1714208 Repair Kit for Joint Marked Neapco

\*\*Model 18101-01 used with 1477  
\*\*Model 18102-01 used with 1886