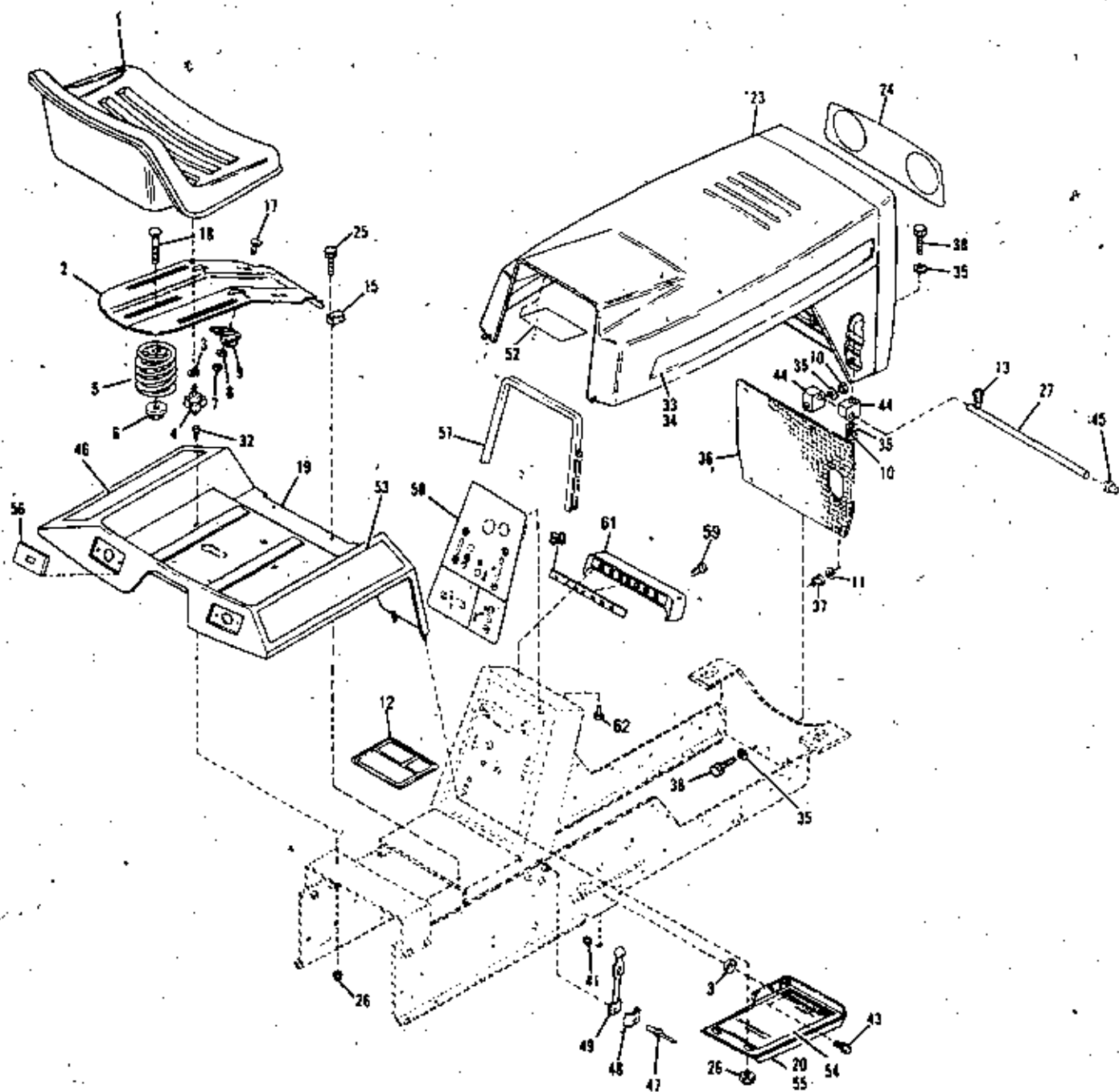


BOLENS 17 HP TRACTOR



REF. NO.	PART NO.	DESCRIPTION	NO. REQ'D.	REF. NO.	PART NO.	DESCRIPTION	NO. REQ'D.
1	1747834	Seal	1	35	1107382	Flat Washer, 5/16	8
2	1734115	Seat Support	1	36	1739112	Grille Screen	1
3	1100256	Flat Washer, 3/8	4	37	1736399	Flange Locknut	4
4	1734269	Adjusting Knob	2	38	1100799	Hex. Hd. Screw 5/16-18	
5	1733960	Spring	1			x 1-1/2	4
6	1735125	Nut & Washer	1	41	1186393	Flange Locknut 3/8-16	4
7	1186229	Nut, 1/4-20	1	43	1186345	Flange Lock Screw 3/8-16	
8	1100241	Flat Washer, 1/4	1			x 3/4	4
9	1734515	Actuator Bracket	1	44	1736340	Pivot	4
10	1110107	Locknut, 5/16-18	4	45	1728072	Push Nut	1
11	1185418	Flat Washer	4	46	1746212	Fender Decal L.H. (1)(2)	1
12	1736369	Instruction Decal	1		1748963	Fender Decal L.H. (3)	1
13	1100362	Cotter Pin, 3/32 x 1/2	1	47	1728772	Pop Rivet 3/16 x 1/2	2
15	1735265	Swivel Block	2	48	1727126	Clip	2
17	1186067	Carriage Bolt, 1/4-20 x 1/2	1	49	1727127	Latch	2
18	1186130	Carriage Bolt, 3/8-16		52	1745681	Instruction Decal (1)(2)	1
		x 1-1/4	1		1748716	Instruction Decal (3)	1
19	1742608	Fender Assembly (1)(2)	1	53	1746213	Fender Decal R.H. (1)(2)	1
	1748574	Fender Assembly (3)	1		1748964	Fender Decal R.H. (3)	1
20	1736566	Foot Rest R.H.	1	54	1746139	Foot Rest Pad	2
23	1746203	Hood & Grille (1)(2)	1	55	1736565	Foot Rest L.H.	1
	1749566	Hood & Grille (3)	1	56	1725615	Reflector	2
24	1746209	Grille Decal (1)(2)	1	57	1726932	Trim	1
	1748707	Grille Decal (3)	1	58	1746222	Instrument Panel Decal	
25	1186332	Fl. Hd. Screw 5/16-18				(1)(2)	1
		x 1-1/4	2		1749022	Instrument Panel Decal (3)	1
26	1186391	Flange Locknut 5/16-18	6	59	1186020	Thd. Cutting Screw 6-32	
27	1736341	Pivot Rod	1			x 3/8 (3)	2
32	1186329	Flange Lock Screw		60	1748081	Lense (3)	1
		5/16-18 x 3/4	2	61	1748080	Light Housing (3)	1
33	1746210	L.H. Identification Decal		62	1748572	Self Thd. Screw 10-16 x	
		(1)(2)	1			1/2 (3)	2
	1748709	L.H. Identification Decal (3)	1	NI	1735223	Spray Paint (White)	
34	1746211	R.H. Identification Decal		NI	1736796	Spray Paint (Dark Green)	
		(1)(2)	1				
	1748708	R.H. Identification Decal					
		(3)	1				

*Common Hardware - Purchase Locally (Grade 5 where applicable)

(1) Serial Number 0100101 - 0199999

(2) Serial Number 0200101 - 0299999

(3) Serial Number 0300101 - 0399999

REF. NO.	PART NO.	DESCRIPTION	NO. REQ'D.	REF. NO.	PART NO.	DESCRIPTION	NO. REQ'D.
1	1806648	Spring	1	39	1737419	Set Screw, 5/16-18 x 3/4	2
2	1727918	Strap	1	40	1746503	Fan	1
3	1735065	Fuel Tank (Incl. Ref. No. 4) (1)(2)	1	41	1745927	Drive Shaft	1
	1749484	Fuel Tank (Incl. Ref. No. 4) (3)	1	42	1100807	Capscrew, 1/4-20 x 2	1
4	1725868	Fuel Tank Cap (1)(2)	1	43	1736100	Drive Shaft	1
	1748758	Fuel Tank Cap (3)	1	44	1701055	Flat Washer, 3/8	4
5	1742610	Shield Ass'y - Heat (1)(2)	1	45	1733398	Hex Locknut, 3/8-16	5
	1748831	Shield Ass'y - Heat (3)	1	46	1745911	Rear Mount Support	1
6	1185712	Screw Thd. Cutting No. 10-24 x 1/2	8	47	1724822	Extension Spring	1
7	1744409	Shield Assembly - Heat	1	48	1100062	Hex Screw, 3/8-16 x 2-1/2	1
8	1744414	Muffler	1	49	1727978	Idler Pulley	2
9	1729587	Snap Bushing	3	50	1186310	Flange Screw 1/4-20 x 3/4	4
10	1727491	Fuel Line Filter	1	51	1725069	Nylon Washer	2
11	1723474	Hose Clamp	1	52	1733359	Spacer	1
12	1718029	Shut Off Valve	1	53	1744449	Idler Arm Assembly	1
13	1724942	Fuel Line	1	54	1742628	PTO Belt (Matched Set of 2)	1
14	1718185	Hose Clamp	4	55	1185889	Snap Ring	2
15	1734941	Fuel Line	1	56	1744379	PTO Sheave	1
16	1725858	Rear Mount	2	57	1725087	Ball Double Seal Bearing	2
17	1746357	Grass Shield	1	58	1742634	PTO Shaft	1
18	1736160	"U" Bolt, 5/16-18 (1)(2)	2	59	1745908	Front Mount Support	1
19	1736348	Shield Assembly - Heat	1	60	1186389	Flange Nut 1/4-20	4
20	1105678	Plug, Sq. Hd. Pipe (Drain)	1	61	1186347	Flange Screw 3/8-16 x 1	8
21	1736485	Capscrew, 7/16-20 x 1-1/4	1	62	1744408	Engine Mount	1
22	1713233	Washer	2	63	1745907	Engine Support	1
23	1741801	Washer	1	64	1185885	Woodruff Key, 3/16 x 5/8	1
24	1744401	Clutch Assembly	1	65	1746411	Bushing	1
25	1736298	Decal (Hot Surface)	1	66	1186308	Flange Lock Capscrew, 1/4-20 x 1/2	12
26	1100244	Lockwasher, 7/16	1	67	1745912	Hanger Assembly R.H.	1
27	1100049	Hex Screw 3/8-16 x 2-1/4 (1)(2)	4	68	1745914	Hanger Assembly L.H.	1
28	1724836	Universal Joint Assembly	1	69	1100243	Lock Washer, 3/8	4
29	1724896	Front Mount (1)(2)	1	70	1740344	Heat Shield Gasket	1
	1738010	Front Mount (3)	1	71	1745145	PTO Guard Ass'y (1)(2)	1
30	1186047	Flat Washer 3/8 x 1-3/8	AR		1749712	PTO Guard Ass'y (3)	1
31	1186230	Nut, 5/16-18 (1)(2)	4	72	1186345	Flange Hd. Screw 3/8-16 x 3/4	12
32	1100242	Lockwasher, 5/16 (1)(2)	4	73	1186393	Flange Hd. Nut 3/8-16	20
33	1819694	Saddle Clamp (1)(2)	2	74	1186331	Hex Hd. Screw 5/16-18 x 1	2
34	1708034	Key, 1/4 x 1/4 x 1/2	1	75	1744451	Anchor Spring	1
35		Kohler Engine, 17 HP (Model KT17QS)	1	76	1703073	Flat Washer	AR
36	1100276	Woodruff Key, 1/4 x 7/8	1	77	1730023	Nipple	1
37	1100046	Cap Screw, 3/8-16 x 1	4	78	1730022	Pipe Nipple	1
38	110106	Locknut, 1/4-20	1	79	1709224	Flat Washer	AR
				80	1110644	Hex Screw 3/8-16 x 3-1/4 (3)	2

• Common Hardware - Purchase Locally (Grade 5 where applicable)
 • Order Parts From Your Authorized Kohler Engine Dealer

(1) Serial Number 0100101 - 0199999
 (2) Serial Number 0200101 - 0299999
 (3) Serial Number 0300101 - 0399999

BOLENS 17 HP TRACTOR

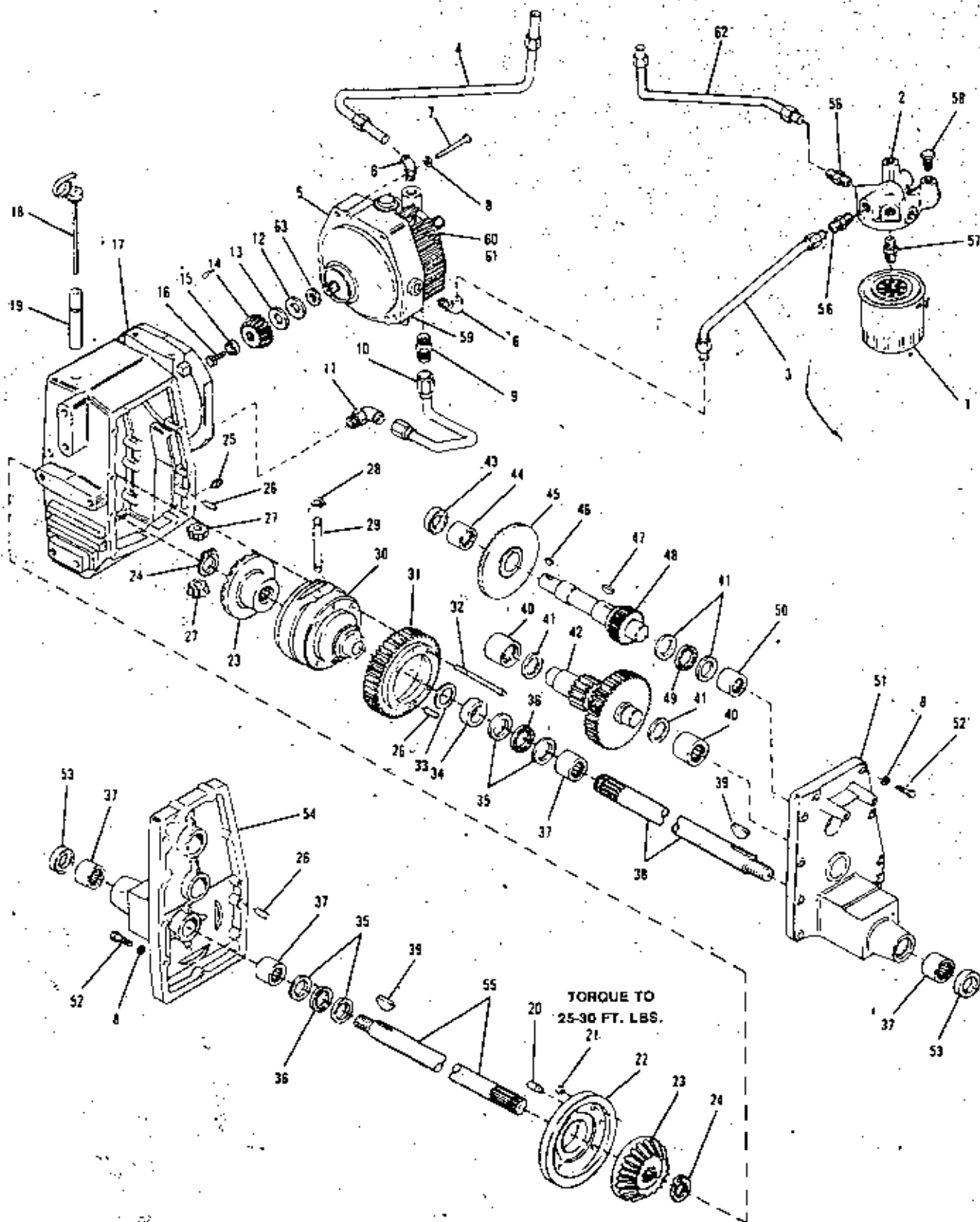


Figure 3. HYDRO AND TRANSAXLE ASSEMBLY

REF. NO.	PART NO.	DESCRIPTION	NO. REQ'D.	REF. NO.	PART NO.	DESCRIPTION	NO. REQ'D.
1	1728450	Filter	1	33	1800338	Shim	AR
2	1734345	Manifold, Filter	1	34	1729497	Spacer, Tubular	1
3	1744406	Tube Assembly, Return	1	35	1185730	Race, Thrust	4
4	1744407	Tube Assembly, Pump to Valve	1	36	1185729	Bearing, Thrust	2
5	1745147	Eaton Trans. Model 11 (See Page 20 for break-down)	1	37	1727637	Bearing, Needle	4
6	1185737	Elbow 90°	2	38	1745885	Axle, R.H. (1)(2)	1
7	1100770	Screw, Hex Hd. Cap 3/8-16 x 2-3/4	4		1747062	Axle, R.H. (3)	1
8	1100243	Washer, Lock-3/8	21	39	1100281	Key, Woodruff	2
9	1186464	Connector	1	40	1186010	Bearing, Needle	2
10	1729264	Tube Assembly, Suction	1	41	1186002	Race, Thrust	4
11	1724390	Elbow, 90°	1	42	1729258	Gear Assembly, Cluster	1
12	1730374	Washer, Shim (.005)	AR	43	1185882	Seal, Oil	1
13	1730375	Washer, Shim (.015)	AR	44	1187731	Bearing, Needle	1
14	1729531	Gear, Bevel Pinion 18T	1	45	1724079	Gear	1
15	1729559	Spacer	1	46	1100276	Key, Woodruff	1
16	1741832	Screw, Hex Hd. Cap 1/4-20 x 5/8	1	47	1100279	Key, Woodruff	1
17	1732450	Housing, Transaxle (1)(2)	1	48	1729257	Shaft Assembly, Pinion	1
	1747086	Housing, Transaxle (3)	1	49	1185764	Bearing, Thrust	1
18	1724092	Dipstick	1	50	1185774	Bearing, Needle	1
19	1724090	Tube	1	51	1744458	Cover, Transaxle R.H. (1)(2)	1
20	1733103	Pin, Dowel - 5/16	2		1747074	Cover, Transaxle R.H. (3)	1
21	1186459	Nut, Hex Lock - 5/16-18 Grade 8	4	52	1100047	Screw, Hex Hd. Cap 3/8-16 x 1-1/2	17
22	1728645	Cover, Differential	1	53	1185295	Oil Seal	2
23	1726646	Gear	2	54	1744459	Cover, Transaxle L.H. (1)(2)	1
24	1185689	Ring, Retaining	2		1747064	Cover, Transaxle L.H. (3)	1
25	1185930	Plug, Pipe	1	55	1745884	Axle, L.H. (1)(2)	1
26	1110189	Pin, Dowel - 3/8	6		1747061	Axle, L.H. (3)	1
27	1713466	Pinion	2	56	1721989	Connector	2
28	1118808	Ring, Retaining	2	57	1721921	Coupling	1
29	1727641	Shaft, Pinion	1	58	1186345	Flange Lock Screw 3/8-16 x 3/4	2
30	1729972	Carrier, Differential	1	59	1724370	Control Shaft Seal	1
31	1729260	Gear, Axle 47T	1	60	1724376	Input Shaft Seal	1
32	1733684	Screw, Flange - 5/16-18 x 4.00	4	61	1724377	Grass Shield	1
				62	1734549	Tube Assembly, Filter To Valve	1
				63	1705093	Shim (.028)	AR
				NI	1728407	Sealant	AR

* Common Hardware - Purchase Locally (Grade 5 where applicable)

- (1) Serial Number 0100101 - 0199999
(2) Serial Number 0200101 - 0299999
(3) Serial Number 0300101 - 0399999

BOLENS 17 HP TRACTOR

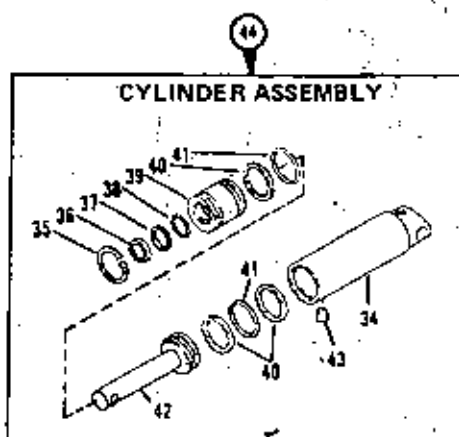
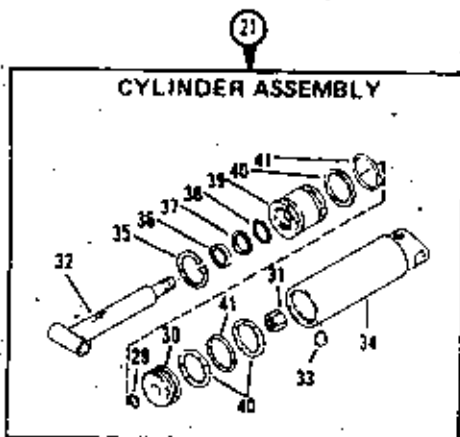
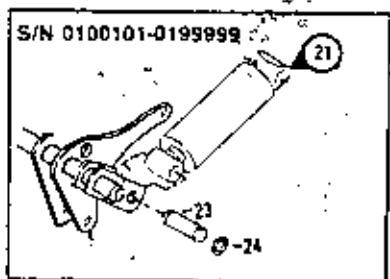
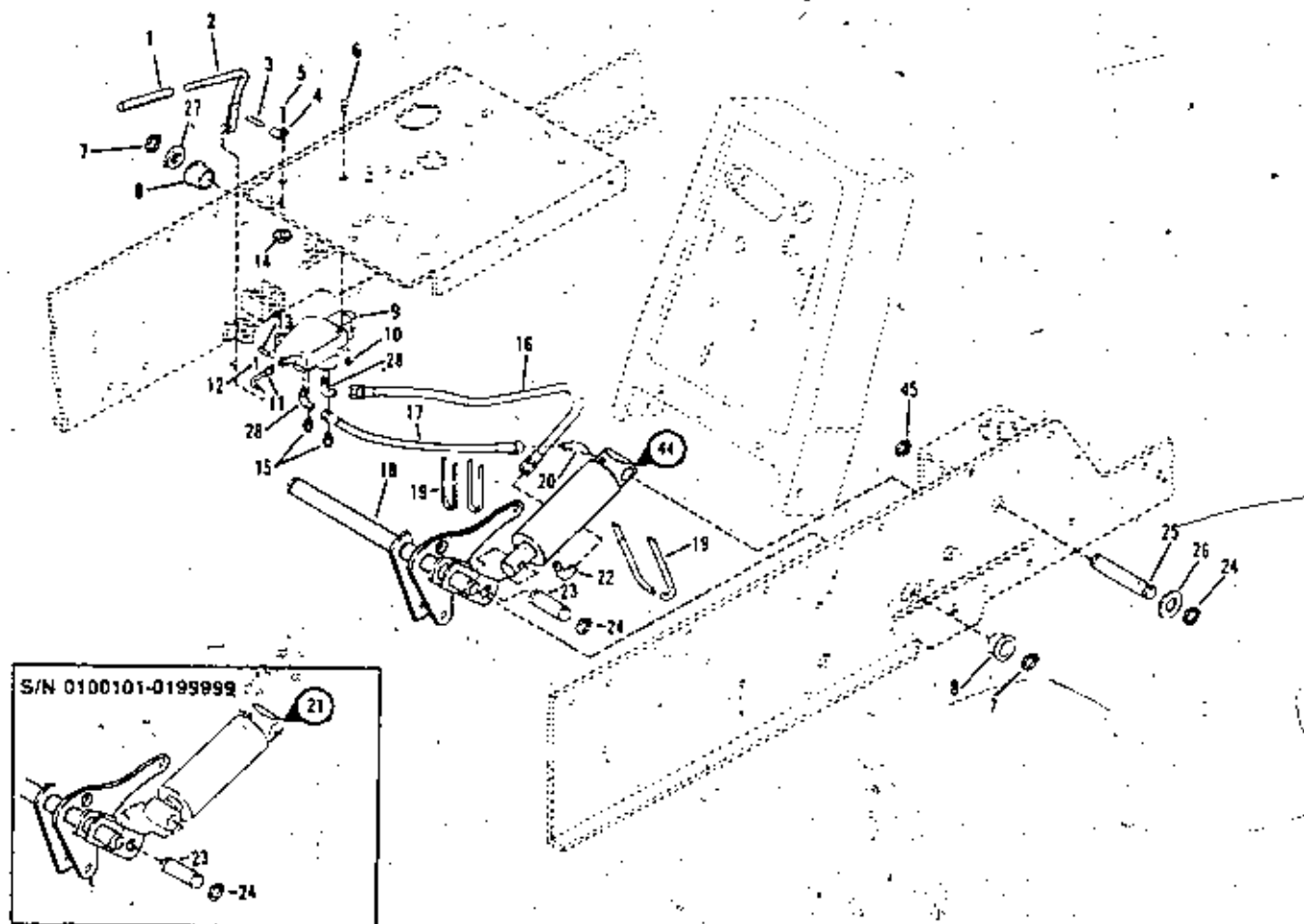


Figure 4. LIFT ASSEMBLY

REF. NO.	PART NO.	DESCRIPTION	NO. REQ'D.	REF. NO.	PART NO.	DESCRIPTION	NO. REQ'D.
1	1716470	Grip	1	23	1724704	Pin, Cyl. Rod (1)	1
2	1729268	Lever, Lift	1		1747512	Pin, Cyl. Rod (2)(3)	1
3	1185271	Pin, Roll 7/32 x 1-1/8	1	24	1113527	Ring, Retaining (1)	2
4	1732471	Clamp	2		1118808	Ring, Retaining (2)(3)	2
5	1115875	Screw, Phil. Hd. No. 10-24 x 5/8	2	25	1724703	Pin, Cyl. Anchor	1
6	1186313	Screw, Hex Hd. Flange Lock 1/4-20 x 1-1/4	2	26	1708012	Washer, Flat 3/4	1
7	1118554	Ring, Retaining	2	27	1185818	Washer	AR
8	1185728	Bushing	2	28	1185902	Elbow 45°	2
9	1734335	Valve	1	29	1177509	O-Ring	1
	1726213	Replacement Seal	2	30	1724515	Piston	1
10	1186389	Nut, Hex, Flange Lock 1/4-20	2	31	1110154	Nut, Hex, Lock 5/8-18	1
11	1724742	Link, Lever	1	32	1729990	Rod Assembly Hydraulic Cylinder	1
12	1185850	Pin, Cotter, 5/64 x 3/4	1	33	1105620	Plug, Pipe (Plastic)	AR
13	1185479	Pin, Roll 3/32 x 5/8	1	34	1729388	Tube Assembly, Hydraulic Cylinder	1
14	1737938	Locknut No. 10-24	2	35	1118735	Ring, Internal Retaining	1
15	1717563	Connector	2	36	1185266	Seal, Oil	1
16	1733692	Assembly, Hose	1	37	1186019	Ring, Back Up	1
17	1719179	Hose Assembly, Cylinder	1	38	1177395	O-Ring	1
18	1744804	Shaft Assembly, Lift (1)	1	39	1724511	Head, Cylinder	1
	1747510	Shaft Assembly, Lift (2) (3)	1	40	1186018	Ring, Back Up	3
19	1705345	Tie, Cable	4	41	1186017	O-Ring	2
20	1185903	Elbow, 45°	1	42	1747043	Rod Assembly Hydraulic Cylinder	1
21	1729387	Cylinder Assembly, Hydraulic (Inc. Ref. No. 29 thru 41)	1	43	1186278	Plug, Pipe	2
22	1185739	Elbow, 90°	1	44	1747509	Cylinder Assembly, Hydraulic (Inc. Ref. No. 34 thru 43)	1
				45	1113527	Ring, Retaining	2

* Common Hardware - Purchase Locally (Grade 5 where applicable)

(1) Serial Number 0100101 - 0199999

(2) Serial Number 0200101 - 0299999

(3) Serial Number 0300101 - 0399999

BOLENS 17 HP TRACTOR

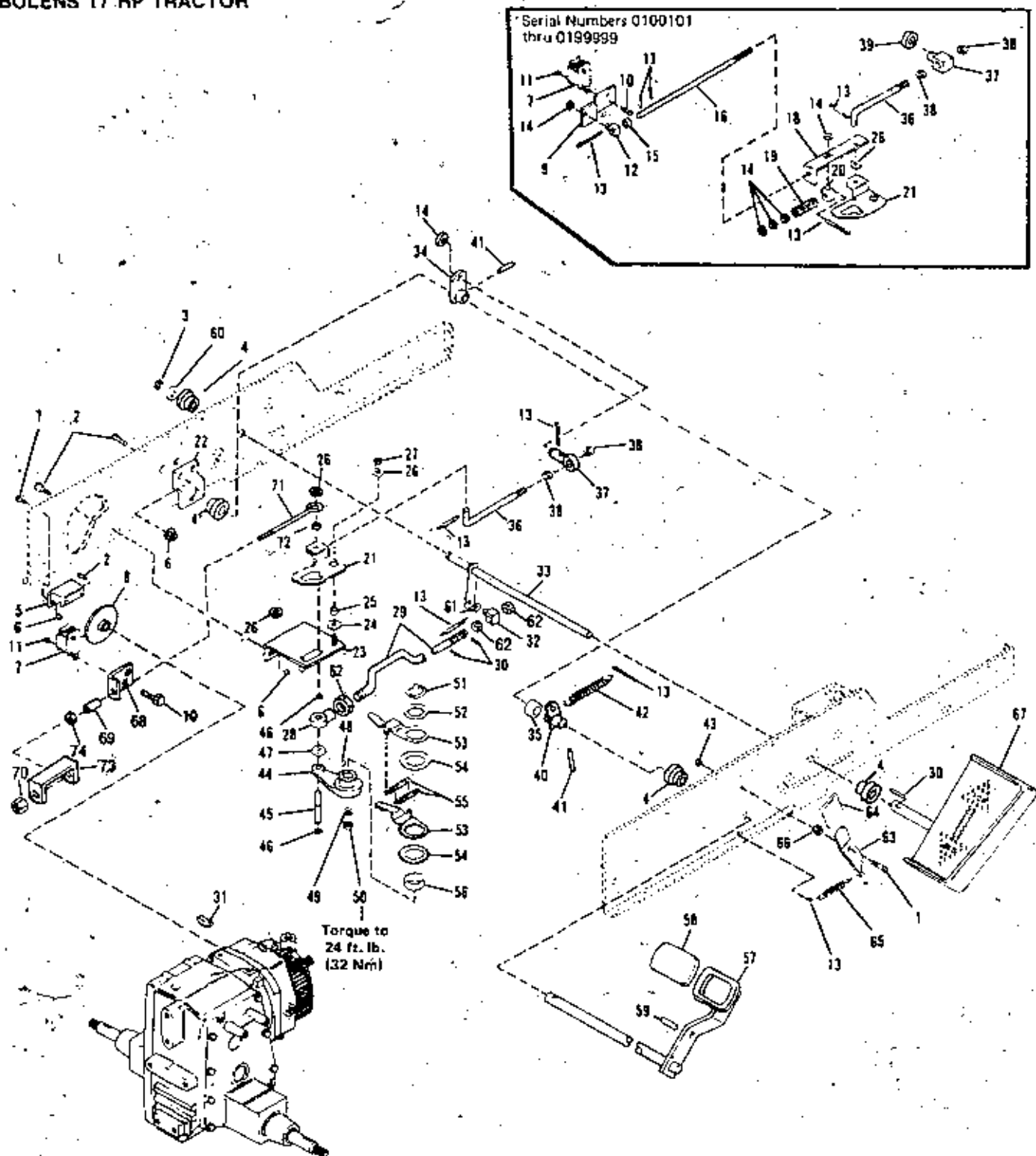


Figure 5. BRAKE AND HYDRO CONTROL ASSEMBLIES

REF. NO.	PART NO.	DESCRIPTION	NO. REQ'D.	REF. NO.	PART NO.	DESCRIPTION	NO. REQ'D.
1	• 1186347	Screw, Hex Hd. Flange Lock 3/8-16 x 1	3	35	1722957	Spacer	1
2	• 1186345	Screw, Hex Hd. Flange Lock 3/8-16 x 3/4	6	36	1737024	Rod, Brake Control (1)	1
3	1118808	Ring, Retainer	1		1747513	Rod, Brake Control (2)(3)	1
4	1185602	Bearing, Flanged	4	37	1714663	Block, Pivot (1)	1
5	1729496	Bracket, Transmission Support (1)(2)	1		1747507	Block, Pivot (2)(3)	1
	1747060	Bracket, Transmission Support (3)	1	38	• 1186259	Nut, Hex 3/8-16	2
6	• 1186393	Nut, Hex Flange Lock 3/8-16	6	39	1724403	Spacer (1)	1
7	1732361	Brake Assembly, Mechanical	1	40	1746196	Arm Assembly, Brake (1)(2)	1
8	1729273	Disc Assembly, Brake	1		1748584	Arm Assembly, Brake (3)	1
9	1732367	Extension, Brake Arm (1)	1	41	1732147	Pin, Drive Lock	2
10	• 1100805	Screw, Hex Hd. Cap 1/4-20 x 3/4	2	42	1720612	Spring, Extension	1
11	• 1186389	Nut, Hex Flange Lock 1/4-20	2	43	• 1733398	Locknut 3/8-16	1
12	1725265	Block, Swivel (1)	1	44	1722151	Arm, Speed Control	1
13	• 1100346	Pin, Cotter 3/32 x 3/4	7	45	1734563	Pin, Control	1
14	• 1107382	Washer, Flat 5/16	5	46	1118802	Ring, Retaining	2
15	1716729	Spacer (1)	1	47	1720699	Block, Cushion	1
16	1729217	Rod, Brake (1)	1	48	1104435	Key, Woodruff	1
17	1177625	Pin, Roll 1/8 x 3/4 (1)	2	49	• 1107385	Washer, Flat - 1/2	1
18	1732370	Bracket, Brake Rod (1)	2	50	• 1110110	Nut, Hex - 1/2-13	1
19	1732393	Spring, Compression (1)	1	51	1185732	Ring, Retaining	1
20	1725264	Block, Swivel (1)	1	52	1720529	Washer, Thrust	1
21	1729213	Plate, Neutral	1	53	1720523	Arm, Neutralizer	2
22	1737019	Bracket, Brake Shaft	1	54	1720361	Washer, Thrust	2
23	1729445	Support Assembly, Neutral Plate	1	55	1720928	Spring, Extension	2
24	1703052	Washer, Flat	1	56	1720706	Bearing	1
25	1732369	Spacer, Tubular	1	57	1746136	Pedal Assembly, Brake	1
26	• 1107383	Washer, Flat 3/8	2	58	1725518	Pad, Pedal	1
27	• 1110108	Nut, Hex Lock - 3/8	1	59	1120209	Pin, Roll 3/16 x 3/4	1
28	1721612	Rod End	1	60	1715301	Thrust Washer	AR
29	1744441	Rod, Speed Control (1)	1	61	1705108	Washer	1
	1747514	Rod, Speed Control (2)(3)	1	62	1186246	Nut, Hex - 7/16-20	3
30	1120210	Pin, Roll (1)	2	63	1726352	Lock, Brake	1
31	1100276	Woodruff Key	1	64	1728696	Grip	1
32	1734827	Swivel	1	65	1726640	Spring, Extension	1
33	1746134	Shaft Assembly, Speed Control	1	66	• 1186247	Hex Nut 1/2-20	1
	1746217	Arm Assembly (1)	1	67	1729147	Foot Pedal	1
	1747508	Arm Assembly (2)(3)	1	68	1747496	Ext. Brake Arm (2)(3)	1
				69	1747494	Sleeve (2)(3)	1
				70	• 1110107	Lock Nut 5/16-18	1
				71	1747495	Brake Rod (2)(3)	1
				72	1747497	Spacer (2)(3)	1
				73	1748372	Brake Return (2)(3)	1
				74	1186258	Jam Nut 5/16-18 (2)(3)	1

•Common Hardware - Purchase Locally (Grade 5 where applicable)

(1) Serial Number 0100101 - 0199999

(2) Serial Number 0200101 - 0299999

(3) Serial Number 0300101 - 0399999

BOLENS 17 HP TRACTOR

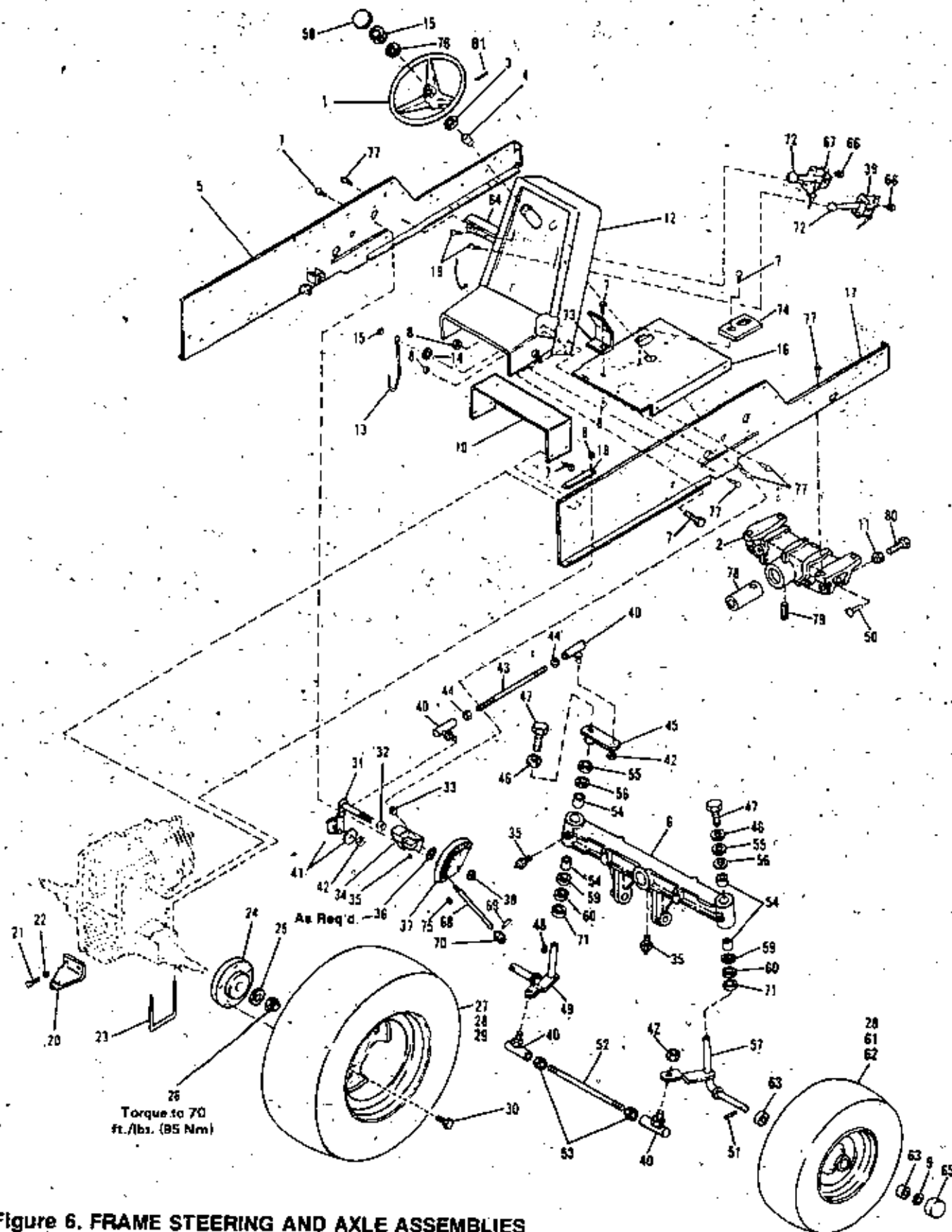


Figure 6. FRAME STEERING AND AXLE ASSEMBLIES

MODEL 5017H

REF. NO.	PART NO.	DESCRIPTION	NO. REQ'D.	REF. NO.	PART NO.	DESCRIPTION	NO. REQ'D.
1	1736980	Wheel, Steering (1)(2)	1	36	1733442	Washer, Shim	AR
	1747804	Wheel, Steering (3)	1	37	1740096	Gear, Steering	1
2	1744350	Bolster	1	38	1185649	Ring, Retaining	1
3	1708012	Washer, Flat	2	39	1736464	Throttle Control	1
4	1723994	Bearing, Steering	1	40	1713361	Joint, Ball	4
5	1744848	Frame Ass'y, L.H. (1)(2)	1	41	1738490	Spacer	2
	1749636	Frame Ass'y, L.H. (3)	1	42	1110152	Nut, Hex Lock - 1/2-20	4
6	1744346	Front Axle	1	43	1744373	Rod, Steering	1
7	1186345	Screw, Hex Hd. Flange Lock 3/8-16 x 3/4	33	44	1186247	Hex Nut 1/2-20	2
8	1186393	Nut, Flange Lock - 3/8-16	22	45	1744369	Arm Assembly, Steering	1
9	1715491	Thrust Washer	2	46	1186033	Flat Washer 5/16	2
10	1744446	Support, Seat (1)(2)	1	47	1186329	Flange Screw 5/16-18 x 3/4	2
	1747807	Support, Seat (3)	1	48	1186034	Woodruff Key 1/4 x 7/8	1
11	1186258	Jam Nut 5/16-18	2	49	1744364	Spindle Assembly, L.H. Wheel	1
12	1744448	Panel Ass'y, Instrument (1)(2)	1	50	1744058	Weld Pin	2
	1748651	Panel Ass'y, Instrument (3)	1	51	1104222	Cotter Pin 3/16 x 1-1/2	2
13	1731956	Hook, Cable (1)	1	52	1748138	Rod, Tie	1
14	1100256	Washer, Flat - 3/8 (1)	1	53	1186247	Nut, Hex - 1/2-20	2
15	1110108	Nut, Lock - 3/8-16	2	54	1187181	Flange Bearing	4
16	1745923	Support Ass'y Battery & Gas Tank (1)(2)	1	55	1177395	O-Ring	2
	1749849	Support Ass'y Battery & Gas Tank (3)	1	56	1706673	Thrust Washer	2
17	1744404	Frame Ass'y, R.H. (1)(2)	1	57	1744367	Spindle Assembly R.H. Wheel	1
	1748589	Frame Ass'y, R.H. (3)	1	58	1746362	Steering Cap (1)(2)	1
18	1730692	Double, Rear	2	59	1185815	Thrust Washer	2
19	1115815	Machine Screw No. 10-24 x 5/8	4	60	1185729	Thrust Race	2
20	1724698	Draw Bar	2	61	1744372	Wheel Assembly	2
21	1100055	Screw, Hex Hd. - 1/2-13 x 1-1/4	2	62	1732927	Tire, 16 x 6.50-8	2
22	1100245	Washer, Lock - 1/2	2	63	1744375	Bearing, Ball	4
23	1727898	"U" Bolt	2	64	1735572	Frame Support	1
24	1726679	Hub, wheel	2	65	1744396	Cap, Dust	2
25	1708599	Spacer	2	66	1185985	Keys, Nut No. 10-24	5
26	1120390	Nut, Hex - 3/4-10	2	67	1736465	Choke Control	1
27	1724718	Wheel Assembly	2	68	1742627	Steering Shaft Ass'y (1)(2)	1
28	1718086	Valve	4		1738414	Steering Shaft Ass'y (3)	1
29	1732926	Tire, 23 x 10.50 x 12	2	69	1738413	Roll Pin	1
30	0101085	Bolt, Hub	10	70	1736159	Bevel Pinion Gear	1
31	1731782	Arm Assembly, Steering	1	71	1727686	Thrust Race	2
32	1733707	Spacer, Tubular	1	72	1724527	Knob	2
33	1185846	Bushing, Flange	1	73	1746621	Tank Clamp	1
34	1740753	Bracket, Steering Support	1	74	1746622	Cover	1
35	1185976	Fitting, Grease Thd. Forming	3	75	1104436	Woodruff Key 3/16 x 3/4	1
				76	1107383	Flat Washer 3/8 (1)(2)	1
				77	1186347	Flange Screw 3/8-16 x 1	16
				78	1744374	Tube Pivot	1
				79	1733103	Roll Pin 5/16 x 3/4	1
				80	1100045	Hex Hd. Screw 5/16-18 x 1	2
				81	1185279	Roll Pin 1/4 x 2-1/4 (3)	1

*Common Hardware - Purchase Locally (Grade 5 where applicable)

(1) Serial Number 0100101 - 0199999

(2) Serial Number 0200101 - 0299999

(3) Serial Number 0300101 - 0399999

BOLENS 17 H.P. TRACTOR

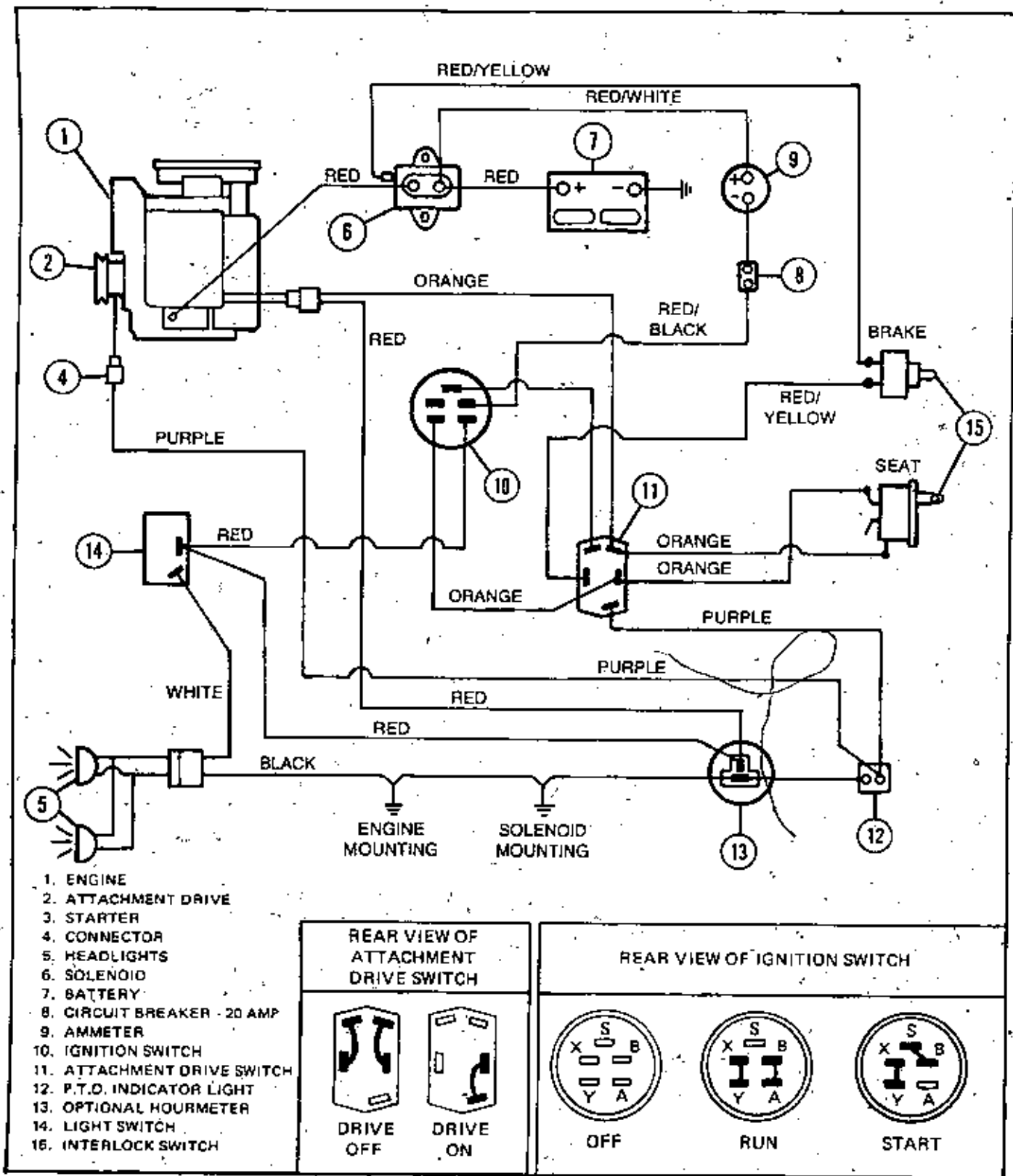
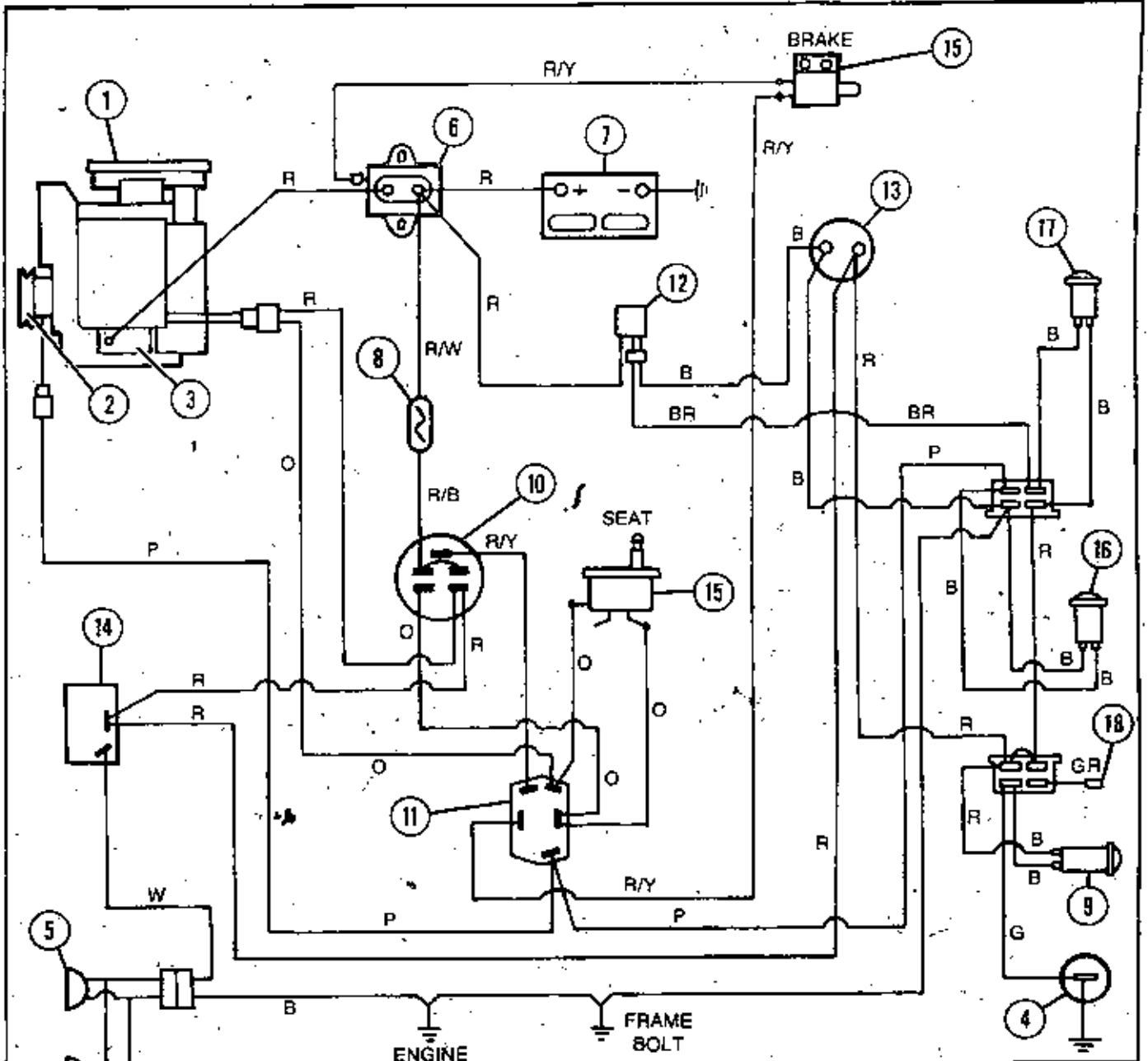
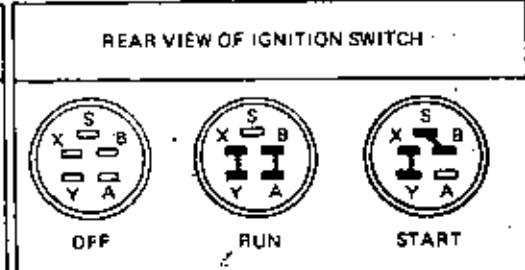
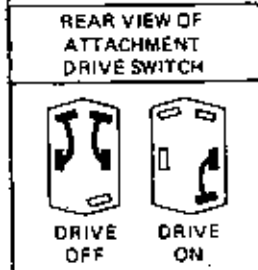


Figure 7 WIRING DIAGRAM (Serial Numbers 0100101 - 0299999)



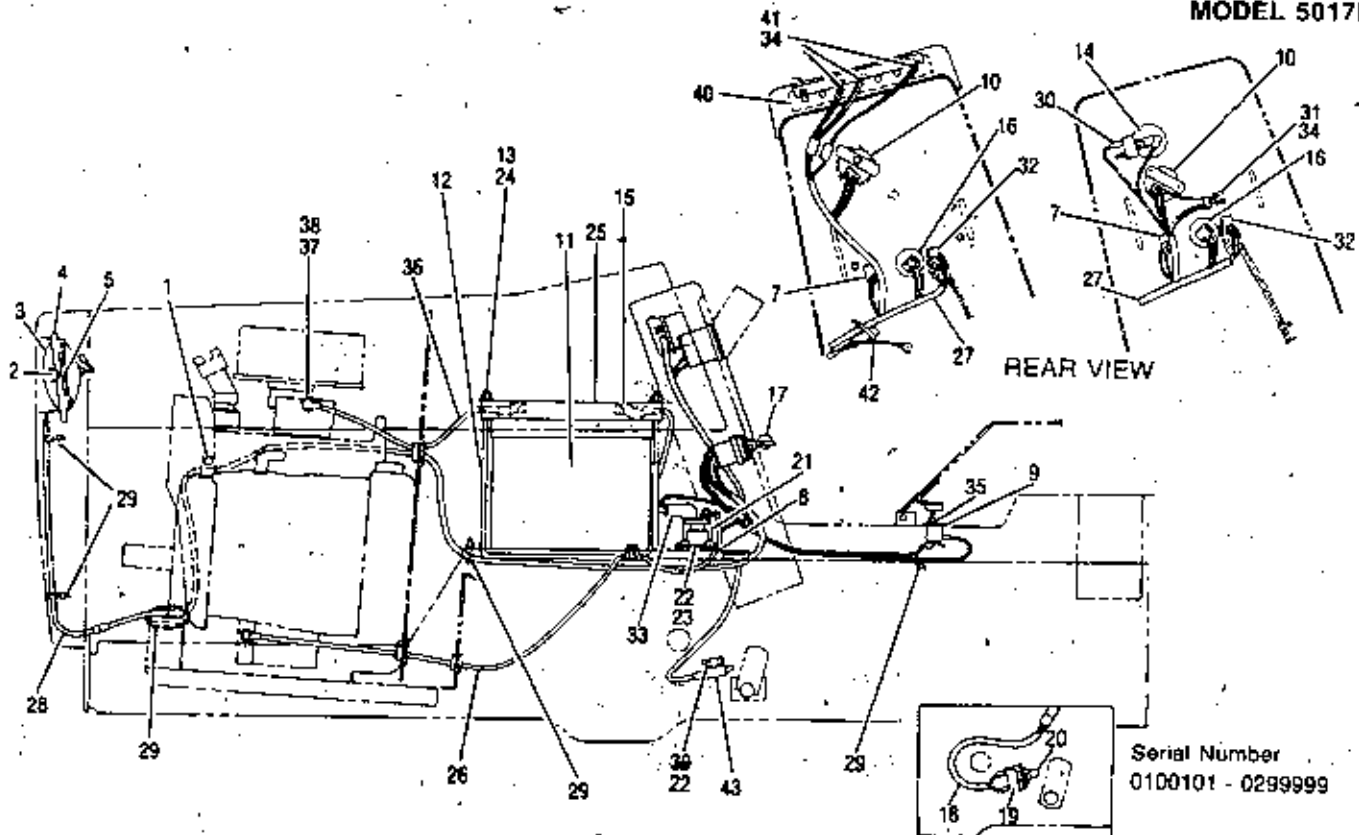
- | | |
|--------------------------|-----------------------------|
| 1. ENGINE | 10. IGNITION SWITCH |
| 2. PTO - ELECTRIC CLUTCH | 11. ATTACHMENT DRIVE SWITCH |
| 3. STARTER | 12. VOLTAGE SENSOR |
| 4. OIL PRESSURE SWITCH | 13. HOURMETER |
| 5. HEADLIGHTS | 14. LIGHT SWITCH |
| 6. SOLENOID | 15. INTERLOCK SWITCH |
| 7. BATTERY | 16. PTO LIGHT |
| 8. FUSE - 25 AMP | 17. BATTERY LIGHT |
| 9. OIL PRESSURE LIGHT | 18. PLUG NOT USED |

COLOR CODE		
R - RED	O - ORANGE	R/Y - RED/YELLOW
B - BLACK	P - PURPLE	R/W - RED/WHITE
W - WHITE	BR - BROWN	R/B - RED/BLACK
G - GREEN	GR - GRAY	



WIRING DIAGRAM (Serial Numbers 0300101 and later)

MODEL 5017H



Serial Number
0100101 - 0299999

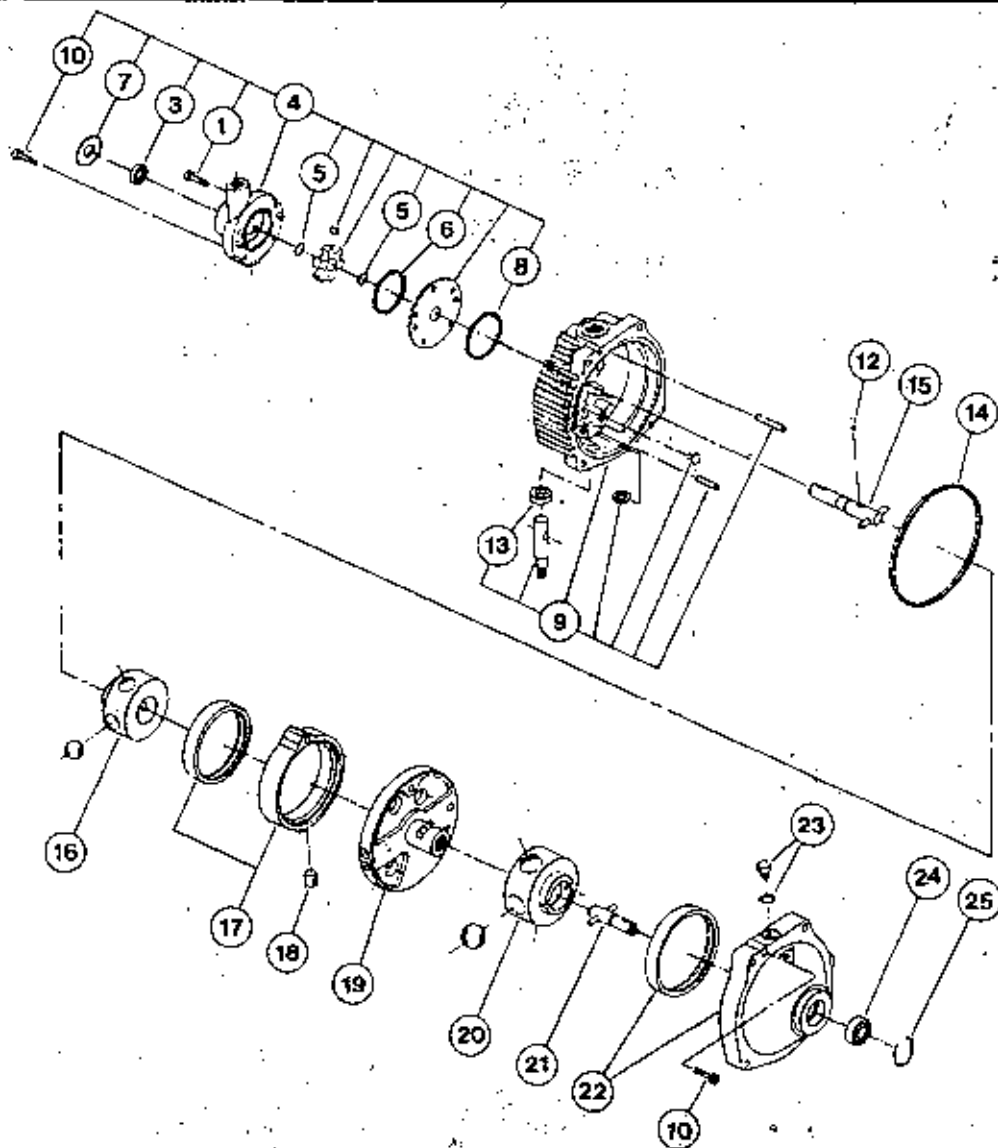
REF. NO.	PART NO.	DESCRIPTION	NO. REQ'D	REF. NO.	PART NO.	DESCRIPTION	NO. REQ'D.
1	1721252	J-Clip	1	23	1185985	Nut, Keps Lock No. 10-24	2
2	1727379	Rivet, Pop 3/16 x 3/8	4	24	1734398	Locknut 1/2-20	2
3	1726435	Headlight	2	25	1739631	Battery Hold Down	1
4	1806805	Plate, Retainer	2	26	1732581	Cable, Starter	1
5	1806808	Retainer	2	27	1745873	Harness Main (1)(2)	1
6	1737732	Wire Clamp	1	1748730	Harness Main (3)	1	
7	1724894	Switch	1	28	1727169	Harness Headlight	1
8	1749835	Grommet	1	29	1805345	Cable, Tie	11
9	1734366	Switch	1	30	1729914	Circuit Breaker (1)(2)	1
10	1742197	Hour Meter (1)(2)	1	31	1734824	Lamp, Clutch (1)(2)	1
	1748719	Hour Meter (3)	1	32	1725098	Switch PTO	1
11	1740009	Battery, 12 Volt	1	33	1715012	Electrical Nipple	1
12	1740804	Hold Down Rod	1	34	1735285	Bulb (Mfg. No. GE 73)	4
13	1107381	Flat Washer 1/4	2	35	1734472	Switch Seal	1
14	1739205	Ammeter 20-0-20 (1)(2)	1	36	1725373	Cable, Battery Neg. to Engine Mount	1
15	1746199	Cable, Battery Pos	1	37	1186393	Flange Nut 3/8-16	1
16	1721409	Switch, Ignition	1	38	1186345	Flange Screw 3/8-16 x 3/4	1
17	1718266	Key, Ignition	1	39	1737938	Top Lock Nut 10-24 (3)	2
18	1733577	Switch Ass'y, Interlock (1)(2)	1	40	1749487	Retaining Strip (3)	1
19	1890234	Washer (1)(2)	2	41	1748085	Lamp Ass'y. (3)	3
20	1733576	Seal, Switch (1)(2)	1	42	1749032	Voltage Sensor (3)	1
21	1740056	Solenoid	1	43	1748723	Interlock Switch (3)	1
22	1115815	Screw, Phil. No. 10-24 x 5/8	4				

* Common Hardware - Purchased Locally (Grade 5 where applicable)

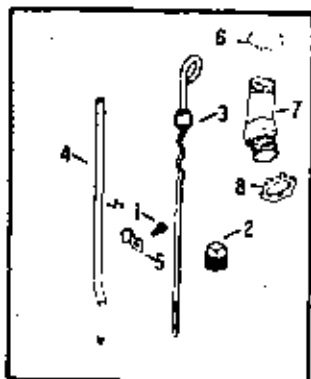
(1) Serial Number 0100101 - 0199999

(2) Serial Number 0200101 - 0299999

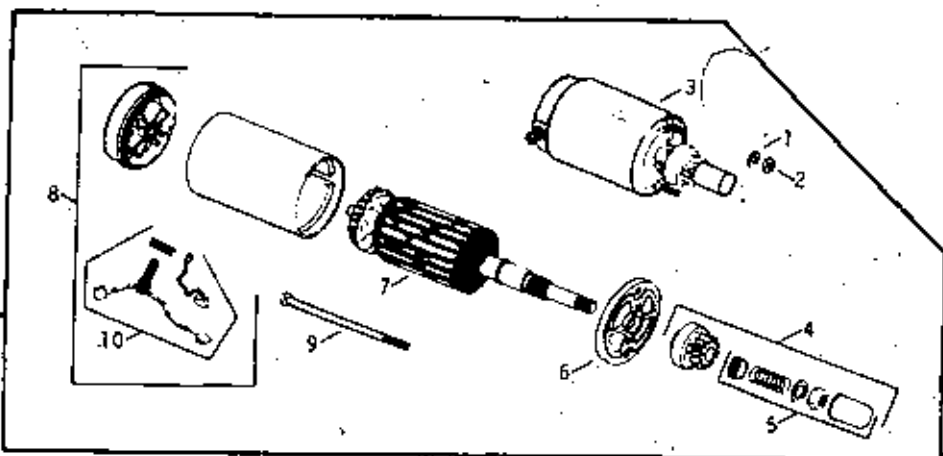
(3) Serial Number 0300101 - 0399999



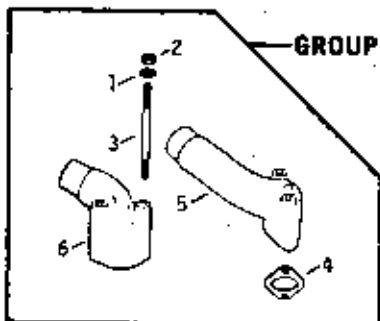
REF. NO.	PART NO.	DESCRIPTION	NO. REQ'D.	REF. NO.	PART NO.	DESCRIPTION	NO. REQ'D.
1		Socket Hd. Capscrew 5/16-18 x 1-3/4 (Included with Ref. No. 4)	1	12	1744159	Drive Pin (Incl. Ref. No. 4)	1
3	1724381	Oil Seal (Included with Ref. No. 4)	1	13	1724376	Oil Seal (Incl. Ref. No. 9)	1
4	1744188	Charge Pump Kit (Incl. Ref. Nos. 1, 3, 5, 6, 7, 8, 10 & 12)	1	14	1744185	Square Seal Ring	1
5	1724375	Snap Ring (Included with Ref. No. 4)	1	15	1744160	Input Shaft Sub Assembly (Splined)	1
6	1744155	Sq. Seal Ring (Included with Ref. No. 4)	1	16	1744164	Pump Rotor & Ball Assembly	1
7	1724377	Grass Shield (Included with Ref. No. 4)	1	17	1744184	Cam Ring Assembly	1
8	1744157	Sq. Seal Ring (Included with Ref. No. 4)	1	18	1744176	Cam Ring Insert	1
9	1744154	Cover Sub Assembly (Incl. Ref. No. 13)	1	19	1744166	Pintle Assembly (Incl. Internal Parts)	1
10		Socket Hd. Capscrew 5/16-18 x 1-1/4 (Included with Ref. No. 4)	1	20	1744177	Motor Rotor & Ball Sub Assembly	1
				21	1744010	Output Shaft Sub Assembly	1
				22	1744180	Body Assembly (Incl. Ref. Nos. 21, 24, 25)	1
				23	1744179	O-Ring Plug Sub Assembly	1
				24	1104440	Ball Bearing (Output)	1
				25	1724380	Retaining Ring	1



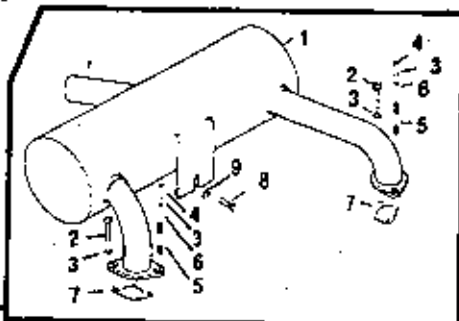
GROUP 10



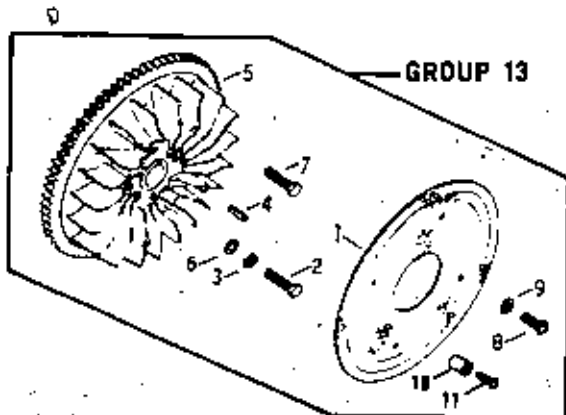
GROUP 11



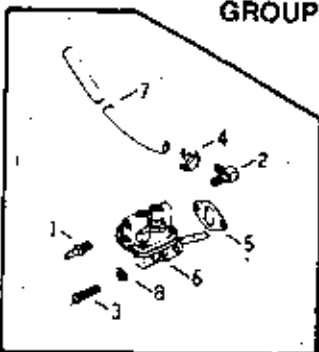
GROUP 12



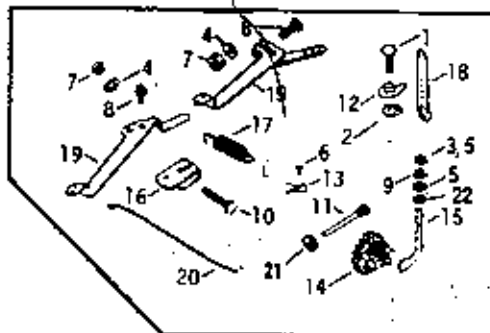
GROUP 12A



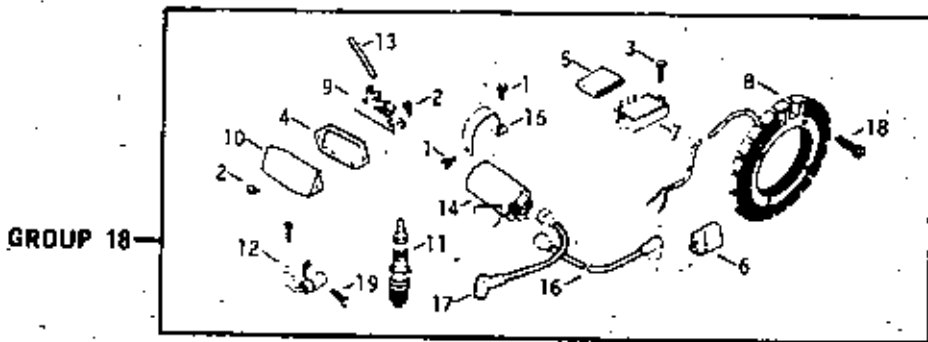
GROUP 13



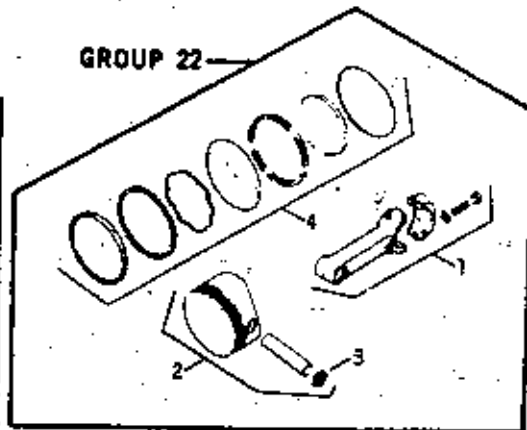
GROUP 14



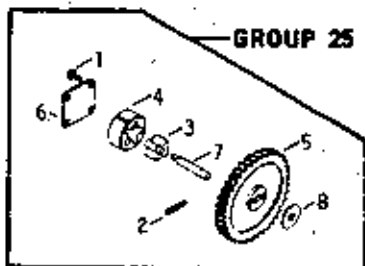
GROUP 17



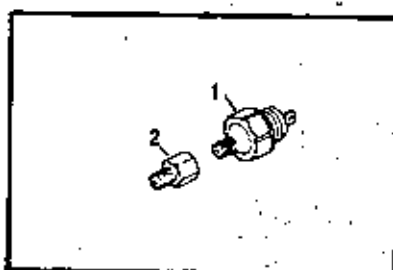
GROUP 18



GROUP 22



GROUP 25



GROUP 32

KOHLER ENGINE MODEL KT17QS
 ORDER ALL REPLACEMENT PARTS FROM
 YOUR NEAREST KOHLER ENGINE DEALER

ORDER PARTS FROM YOUR LOCAL KOHLER ENGINE DEALER

MODEL KT17QS

REF. NO.	KT17 24218	KT17 24314	KT17 24351	DESCRIPTION	REF. NO.	KT17 24218	KT17 24314	KT17 24351	DESCRIPTION
				AIR INTAKE - GROUP 1					
1	277069	277069	277069	Elbow Gasket	8	271030	271030	271030	Carburetor Gasket
2	277093	277093	277093	Air Cleaner Gasket	9	X-6-54	X-6-54	X-6-54	H.C. Screw, 5/16-18 x 2-7/8 (2)
3	X-22-9	X-22-9	X-22-9	Washer No. 10 (2)	10	52 445 02	52 445 02	52 445 02	Lifting Strap (2)
4	X-25-79	X-25-79	X-25-79	Washer	11	52 053 09	52 053 09	52 053 09	Carburetor - Assembly
5	X-50-37	X-50-37	X-50-37	Screw 10-32 x 2-1/4	12	52 103 01	52 103 01	52 103 01	Main Fuel Adj. Screw
6	X-50-57	X-50-57	X-50-57	Screw 10-32 x 1-1/2 (2)	13	200383	200383	200383	Main Fuel Spring
7	X-67-98	X-67-98	X-67-98	H. Washer Hd. Screw (4)	14	200375	200375	200375	Bowl Gasket
8	X-276-7	X-276-7	X-276-7	Wing Nut 1/4-20	15	200439	25 041 02	25 041 02	Bowl Baffle Gasket
9	45 082 01	45 082 01	45 082 01	Air Cleaner Cover	16	25 757 03	25 757 03	25 757 03	Kt Float
10	45 083 02	45 083 02	45 083 02	Element	17	200376	200376	200376	Float Hinge Pin
11	52 054 15	52 054 15	52 054 15	Air Intake Elbow	18	235448	235448	235448	Fuel Bowl
12	52 094 08	52 094 08	52 094 08	Air Cleaner Base	19	47 100 06	47 100 06	47 100 06	Bowl Retainer Screw
13	52 083 02	45 083 01	45 083 01	Precleaner Element	20	200380	200380	200380	Idle Fuel Spring
14	52 082 04	52 082 04	52 082 04	Air Cleaner Element Cover	21	277210	277210	277210	Idle Fuel Adj. Screw
15	231032	231032	231032	Seal	22	232556	232556	232556	Idle Speed Adj. Screw
					23	232555	232555	232555	Idle Speed Spring
				BAFFLES & SHROUD - GROUP 2		221519	25 757 02	25 757 02	Carburetor Repair Kit
1	X-67-83	X-67-83	X-67-83	Screw 1/4-20 x 7/16 (28)	1	X-22-1	---	---	CRANKCASE - GROUP 7
2	X-82-2	X-82-2	X-82-2	Nuts 5/16-18 (2)	2	52 139 02	---	---	Washer (12)
3	52 027 09	52 027 09	52 027 09	Blower Housing	3	X-75-32	X-75-32	X-75-32	Bottom Drain Plug
4	52 063 01	52 063 01	52 063 01	Cylinder Top Baffle No. 2	4	X-83-2	52 100 03	52 100 03	Flush Plug
5	52 124 03	52 124 24	52 124 24	Cylinder Head Baffle No. 1	5	X-280-10	X-280-10	X-280-10	Nut (12)
6	52 124 02	52 124 02	52 124 02	Cylinder Head Baffle No. 2	6	52 032 10	52 032 10	52 032 10	Roll Pin
7	52 217 01	52 217 01	52 217 01	Upper Housing Support	7	X-583-5	X-583-5	X-583-5	Front Oil Seal
8	52 282 01	52 282 01	52 282 01	Air Duct Cover	8	X-702-5	X-702-15	X-702-15	Rear Oil Seal
9	52 281 08	52 281 08	52 281 08	No. 1 Side Air Duct	9	X-802-9	X-802-9	X-802-9	Cup Plug
10	52 281 09	52 281 09	52 281 09	No. 2 Side Air Duct	10	52 009 01	---	---	Washer Head Screw (9)
					11	52 030 02	52 030 10	52 030 10	Rear Closure Plate
				BREATHER & VENT GROUP 3	12	52 041 08	52 041 08	52 041 08	Sleeve Bearing (2)
1	X-81-1	X-81-1	X-81-1	Hex Nut, 1/4-20 (2)	13	52 041 04	52 041 04	52 041 04	Rear Closure Plate Gasket
2	231419	231419	231419	Breather Filter	14	52 565 27	52 565 27	52 565 27	Cylinder Barrel Gasket (2)
3	X-352-39	X-352-39	X-352-39	Stud 1/4-20 x 2-1/4	15	230265	230265	230265	Cylinder Barrel (2)
4	275220	275220	275220	Stud 1/4-20 x 3-1/4	16	52 316 06	52 316 06	52 316 06	Valve Seat Insert (4)
5	52 032 04	52 032 04	52 032 04	Breather Seal	17	X-67-64	X-67-64	X-67-64	Valve Guide (4)
6	52 055 01	52 055 01	52 055 01	Cover Gasket (3)	18	X-269-43	X-269-43	X-269-43	Screw
7	52 096 02	52 096 18	52 096 18	No. 2 Cylinder Valve Cover	19	X-702-4	---	---	Retaining Ring
8	52 096 08	52 096 08	52 096 08	No. 1 Cylinder Valve Cover	20	X-702-15	52 139 08	52 139 08	Plug
9	52 326 05	52 326 05	52 326 05	Breather Hose	21	52 072 01	52 072 01	52 072 01	Plug
10	52 755 09	52 755 09	52 755 09	Valve Cover Kit (Incl. No. 11)	22	52 078 02	52 078 02	52 078 02	Stud (12)
11	52 482 01	52 482 01	52 481 01	Umbrella Valve	23	52 078 02	52 078 02	52 078 02	Governor Shaft
12	X-25-12	X-25-12	X-25-12	Plan Washer (2)	24	52 095 03	52 095 03	52 095 03	Housing Assembly
					25	52 123 10	52 123 10	52 123 10	Oil Pick-Up Tube
				CAMSHAFT & VALVES - GROUP 4	26	52 237 02	52 237 02	52 237 02	Clamp
1	230010	230010	---	Valve Spring (4)	27	52 237 04	52 237 04	52 237 04	Clamp
2	230011	230011	52 018 01	Spring Retainer (4)	28	X-82-2	X-82-2	X-82-2	Nut (2)
3	41 755 10	41 755 10	41 755 10	Retainer Kit (4)	29	X-352-33	X-352-33	X-352-33	Stud (2)
4	52 010 01	52 012 06	52 012 06	Camshaft	30	X-802-6	X-802-6	X-802-6	Screw (3)
5	52 016 01	52 016 01	52 016 02	Exhaust Valve (2)	31	X-802-7	X-802-7	X-802-7	Screw (6)
6	52 017 01	52 017 01	52 017 01	Intake Valve (2)	32	X-802-8	X-802-8	X-802-8	Screw (2)
7	52 018 01	52 018 01	---	Spring Retainer (4)	33	X-802-10	X-802-10	X-802-10	Screw (2)
8	52 019 01	52 019 02	52 019 02	Tappet (4)	34	41 468 01	41 468 01	41 468 01	Washer (2)
9	52 032 05	52 032 05	52 032 05	Valve Stem Seal (2)	35	---	X-75-23	X-75-23	Pipe Plug, 1/8
10	---	---	230011	Intake Valve Retainer	36	---	52 755 42	52 755 42	Closure Plate Kit
11	---	---	230020	Exhaust Valve Retainer	37	---	52 755 33	52 755 33	Oil Relief Kit
12	---	---	230010	Valve Intake Spring	38	---	X-75-10	X-75-10	Drain Plug
13	---	---	230168	Exhaust Valve Spring		---	52 141 02	52 141 02	O-Ring
				CARBURETOR - GROUP 5	1	52 014 58	52 014 66	52 014 66	CRANKSHAFT - GROUP 8
1	52 041 02	52 041 09	52 041 09	Intake Gasket (2)	2	52 468 03	52 468 03	52 468 03	Crankshaft
2	52 164 01	52 164 06	52 164 06	Intake Manifold		52 468 04	52 468 04	52 468 04	Thrust Washer, .119/.122
3	X-6-8	X-6-8	X-6-8	Screw 5/16-18 x 2-3/4 (2)		52 468 05	52 468 05	52 468 05	Thrust Washer, .128/.131 (A.R.)
4	X-21-1	X-21-1	X-21-1	Lock Washer 5/16 (4)					Thrust Washer, .137/.140 (A.R.)
5	X-77-2	X-77-2	X-77-2	Nut (2)					CYLINDER HEAD - GROUP 9
6	X-352-37	X-352-37	X-352-37	Stud 5/16-18 x 1 (2)	1	220534	220534	220534	Washer 5/16 (18)
7	X-391-1	25 155 02	25 155 02	Connector	2	41 086 02	41 086 02	41 086 02	Screw 5/16-18 x 1-1/2 (18)
					3	52 015 05	52 015 06	52 015 06	Cylinder Head (2)
					4	52 052 03	52 052 03	52 052 03	Head Gasket (2)

ORDER PARTS FROM YOUR LOCAL KOHLER ENGINE DEALER

MODEL KT17 QS

REF. NO.	KT17 24218	KT17 24314	KT17 24351	DESCRIPTION	REF. NO.	KT17 24218	KT17 24314	KT17 24351	DESCRIPTION
				DIPSTICK - GROUP 10	9	X-269-28	X-269-28	X-269-28	Governor Retainer
1	X-67-64	X-67-64	X-67-64	Screw 10-32 x 3/8	10	X-795-1	---	---	R.H. Screw 1/4-20
2	X-75-6	---	X-75-6	Oil Fill Plug	11	231355	231355	231355	Governor Stop Pin
3	52 038 04	52 038 04	52 038 04	Dipstick	12	234614	234614	234614	Governor Stop
4	52 123 02	52 123 09	52 123 02	Oil Fill Tube	13	235778	235778	235778	Cable Clamp (2)
5	52 154 01	52 164 01	52 154 01	Tube Clip	14	A-237031	A-235743 S	A-235743-S	Governor Gear
6	---	52 173 01	52 173 01	Pipe Cap	15	51 078 02	52 078 04	52 078 04	Governor Cross Shaft
7	---	52 134 04	52 134 04	Oil Fill Tube	16	51 237 01	---	---	Governor Clamp
8	---	X-427-1	X-427-1	Lock Nut, 3/4	17	52 091 04	52 091 04	52 091 04	Governor Spring
				STARTER - GROUP 11	18	52 119 01	52 119 01	52 119 01	Speed Control Lever
1	X-20-1	X-20-1	X-20-1	Washer 1/4 (2)	19	52 187 01	52 187 02	52 187 02	Governor Arm
2	X-81-1	X-81-1	X-81-1	Nut 1/4-20 (2)	20	52 354 03	52 354 03	52 354 03	Governor Link
3	52 098 03	52 098 03	52 098 03	Starter - Assembly	21	---	X-25-12	X-25-12	Washer, plain
4	52 755 05	52 755 05	52 755 05	Drive Kit	22	---	X-25-102	X-25-102	Washer, plain
5	52 755 08	52 55 08	52 755 08	Drive Parts Kit					IGNITION - GROUP 18
6	52 227 01	52 227 01	52 227 01	Drive End Cap	1	X-67-83	X-67-83	X-67-83	Screw 1/4-20 x 7/16 (2)
7	52 170 02	52 170 02	52 170 02	Armature	2	X-131-1	X-131-1	X-131-1	Screw 10-24 x 3/8 (4)
8	47 755 12	48 227 04	48 227 04	Commutator End Cap	3	X-5-3	X-5-3	X-5-3	Screw 1/4-20
9	52 211 01	52 211 01	52 211 01	Thru w/Washer Bolt	4	52 041 11	52 041 11	52 041 11	Gasket
10	48 755 15	48 755 15	48 755 15	Brush Kit	5	236602	236602	236602	Connector
				EXHAUST - GROUP 12	6	48 155 02	48 155 02	48 155 02	Connector
1	X-21-1	X-21-1	---	Washer 5/16 (4)	7	41 403 05	41 403 05	41 403 05	Rectifier - Regulator
2	X-82-2	X-82-2	---	Nut 5/16-18 (4)	8	237878	237878	237878	Stator
3	X-352-18	X-352-18	---	Stud 5/16-18 x 4 (4)	9	47 150 03	47 150 03	47 150 03	Breaker
4	52 041 06	52 041 10	---	Exhaust Gasket (2)	10	51 096 02	51 096 02	51 096 02	Breaker Cover
5	52 054 05	52 054 05	---	No. 1 Exhaust Manifold	11	51 132 02	51 132 02	51 132 02	Spark Plug (2)
6	52 054 06	52 054 06	---	No. 2 Exhaust Manifold	12	52 147 01	52 147 01	52 147 01	Condenser
				EXHAUST - GROUP 12A	13	52 411 01	52 411 05	52 411 05	Breaker Push Rod
1	---	---	52 068 11	Muffler	14	52 145 02	52 145 02	52 145 02	Ignition Coil
2	---	---	X-55-6	Hex Socket Screw, 5/16-18 x 3/4 (2)	15	52 445 03	52 445 03	52 445 03	Coil Strap
3	---	---	X-21-1	Lock Washer 5/16 (2)	16	52 348 01	52 348 01	52 348 01	Hi-Tension Lead
4	---	---	X-82-2	Hex Nut 5/16-18 (2)	17	52 348 02	52 348 02	52 348 02	Hi-Tension Lead
5	---	---	X-352-18	Stud 5/16-18 x 4 (2)	18	X-67-51	X-67-51	X-67-51	H.C. Screw 10-24 x 3/4 (4)
6	---	---	52 112 08	Spacer 2-1/4 (2)	19	X-67-62	X-67-62	X-67-62	Screw 1/4-20 x 3/4
7	---	---	52 041 14	Exhaust Gasket					PISTON & ROD - GROUP 22
8	---	---	X-132-5	H.C. Screw 1/4-20 x 1	1	52 067 29	52 067 61	52 067 61	Connecting Rod-Std.
9	---	---	X-25-73	Plain Washer 1/4	2	52 067 30	52 067 30	52 067 30	Connecting Rod-.010 U.S. (2)
				FLYWHEEL - GROUP 13	3	52 074 39	52 074 67	52 074 67	Piston-Assembly-Std. (2)
1	52 162 03	52 755 22	52 755 22	Grass Screen	4	52 074 40	52 074 68	52 074 68	Piston-Assembly-.003 (2)
2	X-7-27	X-7-38	X-7-38	H.C. Screw 3/8-24	5	52 074 41	52 074 69	52 074 69	Piston-Assembly-.010 (2)
3	X-22-1	X-22-1	X-22-1	Lock Washer 3/8	6	52 074 42	42 074 70	52 074 70	Piston-Assembly-.020 (2)
4	X-286-17	X-286-17	X-286-17	Square Key	7	52 074 43	52 074 71	52 074 71	Piston-Assembly-.030 (2)
5	52 025 20	52 025 25	52 025 25	Flywheel	3	230004	230004	230004	Piston Pin Retainer (4)
6	52 114 01	52 114 02	52 114 02	Washer	4	52 108 01	52 108 01	52 108 01	Ring Set-Std. & .003 (2)
7	X-159-2	X-159-2	X-159-2	H.C. Screw (4)	5	52 108 02	52 108 02	52 108 02	Ring Set-.010 (2)
8	X-166-2	47 086 22	47 086 22	T.H. Screw (4)	6	52 108 03	52 108 03	52 108 03	Ring Set-.020 (2)
9	X-25-52	---	---	Plain Washer (4)	7	52 108 04	52 108 04	52 108 04	Ring Set-.030 (2)
10	---	X400-69	X400-69	Spacer					OIL PUMP - GROUP 25
11	---	47 086 06	47 086 06	T H. Screw (4)	1	X-67-64	X-67-64	X-67-64	Screw 10-32 x 7/16 (4)
				FUEL PUMP - GROUP 14	2	X-280-25	X-280-25	X-280-25	Roll Pin
1	X-380-1	X-380-1	X-380-1	Connector	3	51 414 01	51 414 01	51 414 01	Inner Rotor
2	X-391-1	25 155 02	25 155 02	Connector	4	51 414 02	51 414 02	51 414 02	Outer Rotor
3	X-174-2	47 086 08	47 086 08	Screw (2)	5	52 043 03	52 043 05	52 043 05	Oil Pump Gear
4	X-426-9	X-426-9	X-426-9	Hose Clamp (2)	6	52 096 03	52 096 03	52 096 03	Oil Pump Cover
5	47 041 04	47 041 04	47 041 04	Gasket	7	52 144 05	52 144 05	52 144 05	Oil Pump Shaft
6	52 559 01	52 559 01	52 559 01	Fuel Pump	8	52 422 01	52 422 01	52 422 01	Shim Spacer (A.R. Max. 2)
7	X-368-54	X-810-3	X-810-3	Hose					LOW OIL PRESSURE SWITCH - GROUP 32
8	X-25-63	X-25-63	X-25-63	Plain Washer (2)	1	---	---	52 099 06	Oil Pressure Switch
				GOVERNOR - GROUP 17	2	---	---	52 158 05	Reducer
1	X-5-1	X-5-1	X-5-1	H.C. Screw, 1/4-20 x 5/8	3	---	---	52 516 06	Lead, 15 ga. 12' un-insulated push tabs male and female 1/4
2	X-22-12	X-22-12	X-22-12	Lock Washer					SHORT BLOCK
3	X-25-12	---	---	Plain Washer	52 522 17	52 522 37	52 522 37	52 522 37	Short Block
4	X-25-72	X-25-72	X-25-72	Plain Washer	52 755 12	52 755 12	52 755 12	52 755 12	Gasket Set
5	X-25-102	X-25-63	X-25-63	Plain Washer 1/4 (2)					
6	X-67-97	X-67-97	X-67-97	H.C. Screw 10-24 x 7/16 (2)					
7	X-81-1	X-81-1	X-81-1	Nut 1/4-20					
8	X-131-1	52 211 04	52 211 04	Screw					