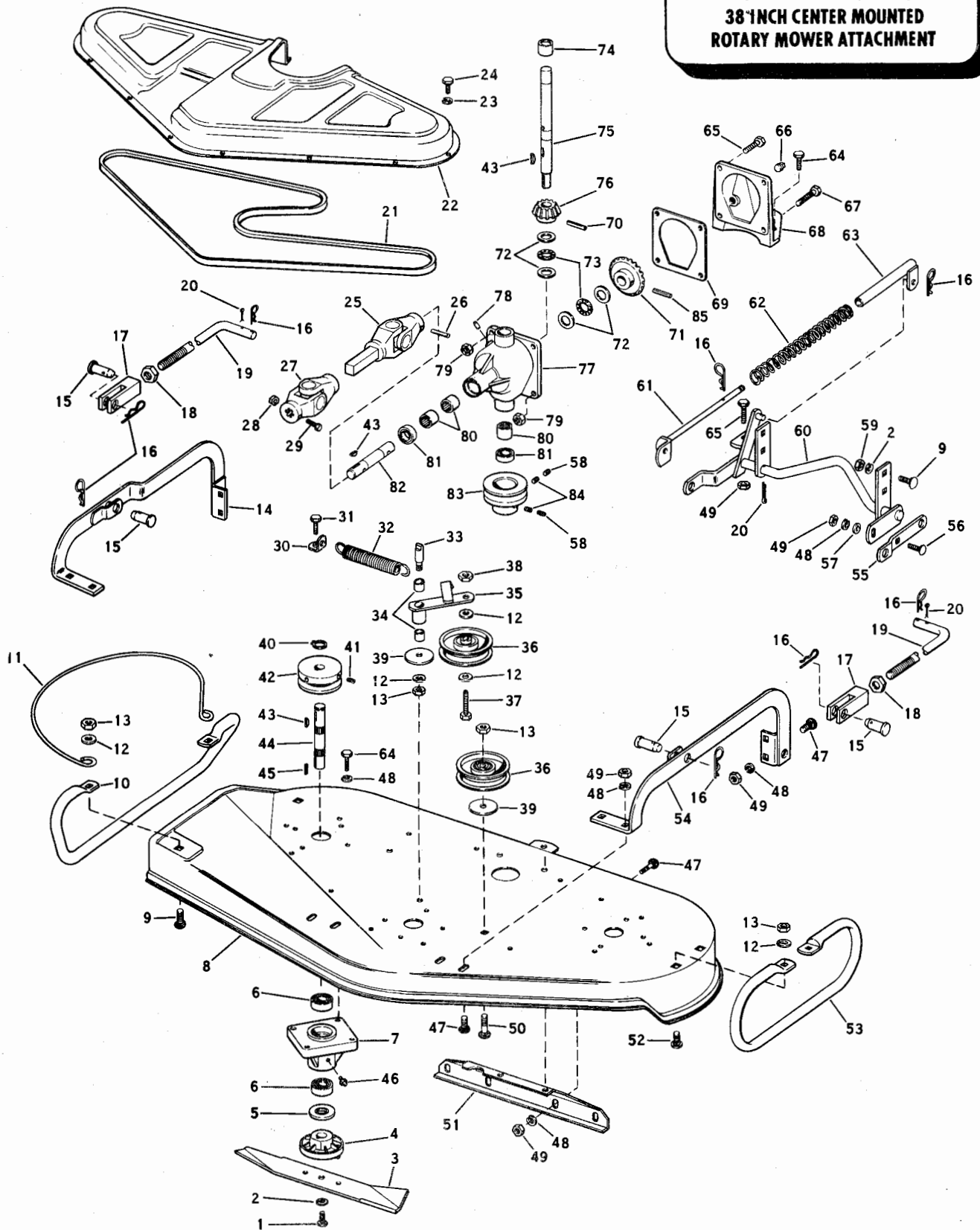


ILLUSTRATED PARTS LIST

BOLENS
MODELS
18446-01 & 18446-02
38" INCH CENTER MOUNTED
ROTARY MOWER ATTACHMENT



PRICE: ONE DOLLAR

FORM NO. P-551322-1
REVISED: 6-63
REPLACES AND OBSOLETES
FORM NO. P-551322

ROTARY MOWER MODELS 18446-01 & 18446-02

Ref. No.	Part No.	Description	No. Req'd.
1	1111709	Capscrew (Heat Treated)	3
2	1100243	Lockwasher 3/8	11
3	1714727	Cutter Blade	3
4	1711879	Drive Hub	3
5	1712566	Slinger	3
6	1120502	Ball Bearing	6
7	1714734	Bearing Housing	3
8	1714731	Base	1
9	1111285	Carriage Bolt 3/8-16 x 1	6
10	1714745	Runner - R.H.	1
11	1714808	Blade Guard	1
12	1107383	Flat Washer 3/8	4
13	1110108	Locknut 3/8-16	4
14	1714737	Bail - R.H.	1
15	1713553	Clevis Pin	4
16	1703011	Spring Cotter	8
17	1714573	Rod End	2
18	1108891	Jam Nut 5/8-16	2
19	1714544	Link Rod	2
20	1100350	Cotter Pin 1/8 x 1	4
21	1714799	Drive Belt - 75"	1
22	1714729	Belt Guard	1
23	1100241	Lockwasher 1/4	14
24	1106830	Capscrew 1/4-20 x 1/2	14
*25	1714728	Universal Joint and Shaft	1
26	1185220	Roll Pin 3/16 x 1-1/2	1
*27	1715008	Universal Joint	
28	1110106	Locknut 1/4-20	1
29	1106849	Capscrew 1/4-20 x 1-3/4	1
30	1713686	Bracket	1
31	1106872	Capscrew 5/16-18 x 5/8	1
32	1701322	Spring	1
33	1713684	Stud	1
34	1185392	Bronze Bearing	2
35	1714741	Idler Arm	1
36	1714742	Idler Pulley	2
37	1106923	Capscrew 3/8-16 x 1-1/2	1
38	1185506	Jam Nut 3/8-16	1
39	1711017	Flat Washer	2
40	1118809	Retaining Ring	3
41	1103470	Set Screw 5/16-18 x 1/2	6
42	1714758	Blade Drive Pulley	3
43	1104436	Woodruff Key 3/16 x 3/4	5
44	1714759	Drive Shaft	3
45	1185188	Sq. Key 3/16 x 7/8	3

Ref. No.	Part No.	Description	No. Req'd.
46	1110086	Grease Fitting	3
47	1111265	Carriage Bolt 5/16-18 x 3/4	10
48	1100242	Lockwasher 5/16	26
49	1103839	Hex Nut 5/16-18	16
50	1111287	Carriage Bolt 3/8-16 x 1-1/2	1
51	1714755	Gear Box Support	1
52	1111284	Carriage Bolt 3/8-16 x 3/4	2
53	1714744	Runner - L.H.	1
54	1714739	Bail - L.H.	1
55	1714749	Adjusting Arm	1
56	1111266	Carriage Bolt 5/16-18 x 1	1
57	1100255	Flat Washer 5/16	1
58	1185551	Lock Screw 3/8-16 x 3/16	2
59	1103840	Hex Nut 3/8-16	4
60	1714750	Lift Arm	1
61	1714868	Guide Rod	1
62	1714872	Spring	1
63	1714871	Tube	1
64	1106876	Capscrew 5/16-18 x 7/8	15
65	1106878	Capscrew 5/16-18 x 1	3
66	1105678	Plug	1
67	1106882	Capscrew 5/16-18 x 1-1/4	2
68	1713680	Gear Case Support	1
69	1713662	Gasket	1
70	1185348	Roll Pin 1/4 x 1-1/4	1
#71	1715634	Gear - 19T	1
72	1185432	Thrust Race	4
73	1185431	Thrust Bearing	2
74	1713665	Needle Bearing	1
75	1714754	Vertical Shaft	1
#76	1715635	Gear - 16T	1
**77	1713883	Gear Case Only	1
78	182682	Breather	1
79	1110107	Locknut 5/16-18	4
80	1185010	Needle Bearing	3
81	1185296	Seal	2
82	1713676	Horizontal Shaft	1
83	1714762	Drive Pulley	1
84	1185550	Set Screw 3/8-16 x 5/16	2
85	1185284	Roll Pin 1/4 x 2	1

- * 1714207 Repair Kit for Joint Marked 6N
- * 1714208 Repair Kit for Joint Marked NEAPCO
- ** 1715607 Complete Gear Case Assembly

#Note: The model 18446-01 had a gear set with 16 and 23 teeth which has now been replaced with a 16 and 19 tooth gear set. The gears listed above must be used in pairs only and should always be used when replacing the original 16 and 23 tooth gear set.



PRINTED IN U.S.A.