

BOLENS

**HUSKY
TRACTOR
MODEL 1254-01**

ILLUSTRATED PARTS CATALOG

ll



BOLENS

PORT WASHINGTON, WISCONSIN, U.S.A.
PRINTED IN U.S.A.

TRACTOR ASSEMBLY MODEL 1254-01

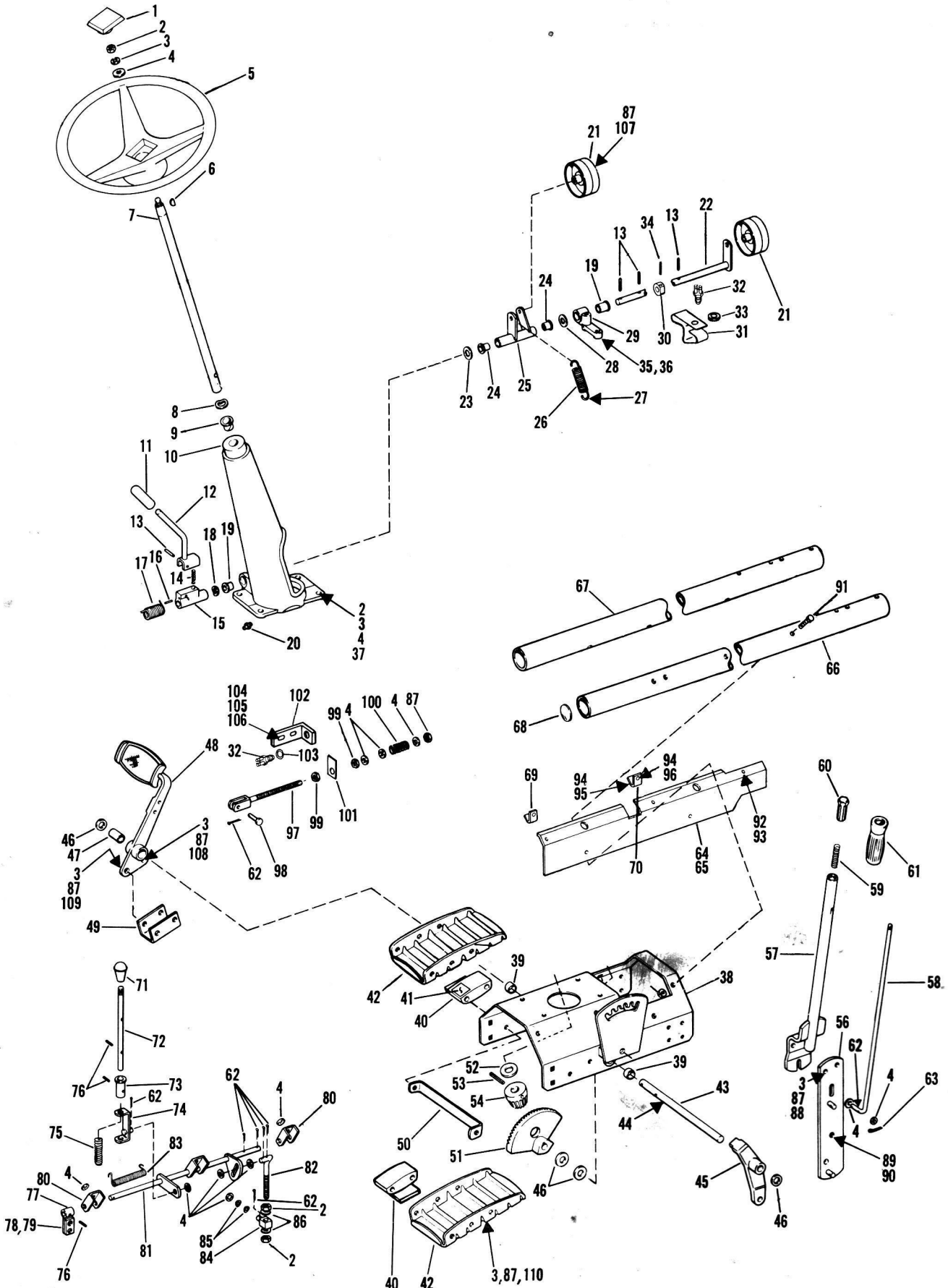


Figure 1

TRACTOR ASSEMBLY MODEL 1254-01

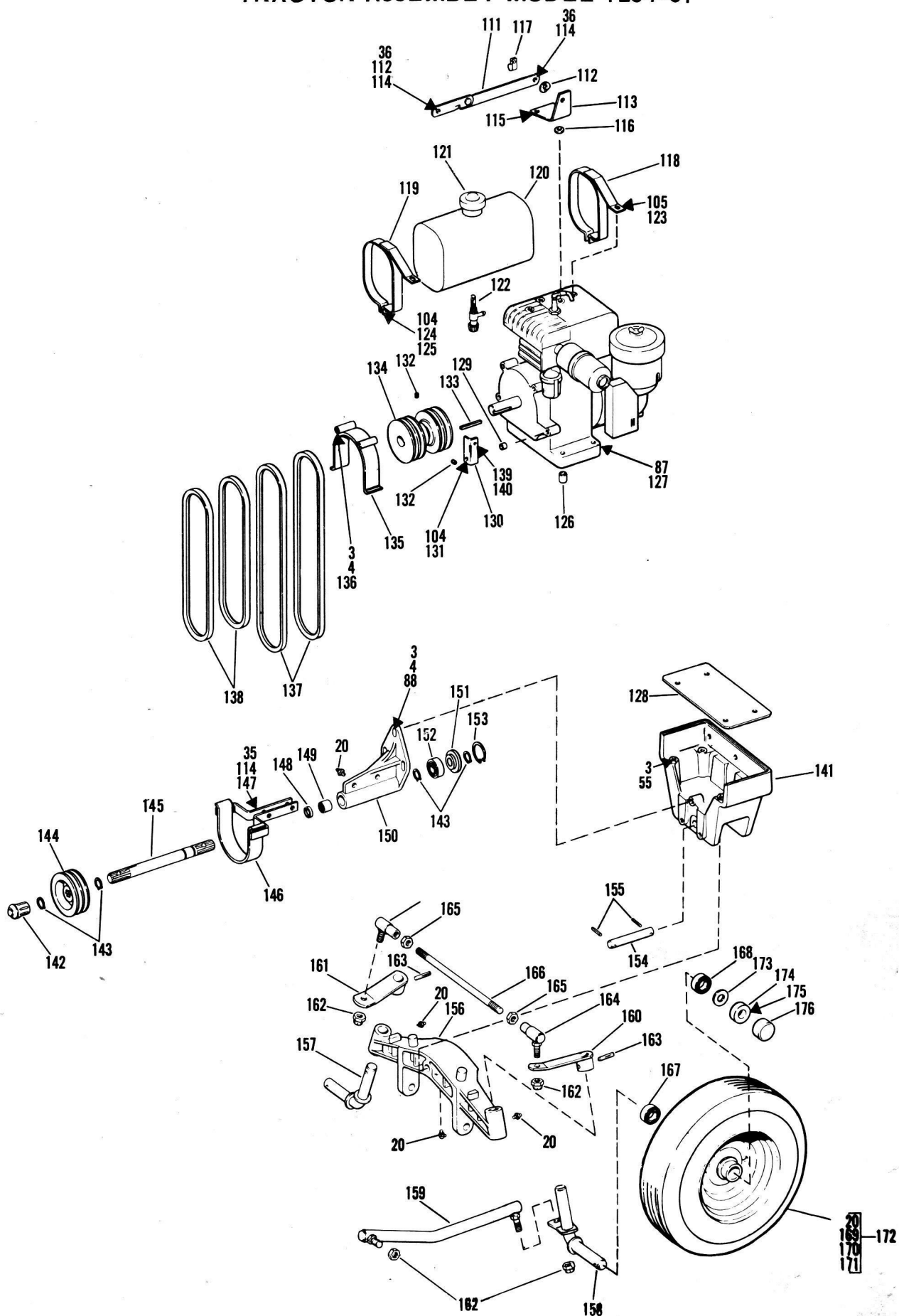


Figure 1

TRACTOR ASSEMBLY MODEL 1254-01

Figure 1 Parts List

Ref. No.	Part No.	Description	No. Req'd
1	1722 750	Cap	1
2	1121 509	Hex Nut 3/8-16	7
3	1100 243	Lockwasher 3/8	22
4	1107 383	Flat Washer 3/8	21
5	1721 805	Steering Wheel	1
6	1104 436	Woodruff Key 3/16 x 3/4	1
7	1717 269	Steering Shaft	1
8	1713 122	Bowed Washer	1
9	1717 263	Bearing	1
10	1717 258	Steering Support	1
11	1721 896	Grip	1
12	1722 013	PTO Control Lever	1
13	1704 692	Roll Pin 1/8 x 1	4
14	1713 391	Spring	1
15	1715 679	PTO Pivot (Inc 16)	1
16	1120 210	Roll Pin 3/16 x 1	1
17	1715 680	Spring	1
18	1706 782	Bowed Washer	1
19	1185 647	Bearing	2
20	1104 954	Grease Fitting	6
21	1716 584	Idler Pulley	2
22	1716 615	Control Shaft	1
23	1890 234	Flat Washer 1/2	1
24	1715 538	Flanged Bushing	2
25	1716 576	Idler Arm	1
26	1716 728	Spring	1
27	1185 584	Cotter Pin 3/16 x 3/4	1
28	1107 385	Flat Washer 1/2	1
29	1716 590	Shaft Support	1
30	1720 962	Cam - Interlock Switch	1
31	1722 717	Spring - Actuator (Interlock)	1
32	1720 963	Switch - Interlock	2
33	1721 070	Palnut 9/16-18	1
34	1185 891	Pin - Drive 1/8 x 1	1
35	1100 242	Lockwasher 5/16	3
36	1106 872	Capscrew 5/16-18 x 5/8	3
37	1106 923	Capscrew 3/8-16 x 1-1/4	4
38	1717 315	Mounting Plate	1
39	1185 558	Sleeve Bearing	2
40	1713 474	Spacer	2
41	1723 063	Decal - Clutch Pedal	1
42	1713 483	Foot Rest	2
43	1714 840	Cross Shaft	1
44	1100 350	Cotter Pin 1/8 x 1	2
45	1716 563	Steering Arm	1
46	1705 092	Washer	4
47	1185 582	Sleeve Bearing	1
48	1717 372	Clutch Pedal	1
49	1717 268	Lug	1
50	1713 397	Support	1
51	1713 809	Steering Gear	1
52	1708 012	Flat Washer	1
53	1185 284	Drive Pin 1/4 x 2	1
54	1713 811	Steering Pinion	1
55	1111 614	Capscrew 3/8-16 x 3/4 H.T.	4
56	1714 575	Tool Lift	1
57	1714 577	Lift Lever	1
58	1714 645	Rod	1
59	1713 075	Spring	1
60	1714 644	Plunger	1
61	1715 575	Grip	1
62	1100 346	Cotter Pin 3/32 x 3/4	8

Ref. No.	Part No.	Description	No. Req'd
63	1703 011	Spring Cotter	1
64	1722 040	Side Panel RH	1
65	1722 041	Side Panel LH	1
66	1722 014	Frame Tube RH	1
67	1722 015	Frame Tube LH	1
68	1711 380	Expansion Plug	2
69	1722 019	Panel Support Rear	2
70	1722 018	Panel Support Front	2
71	1715 546	Knob	1
72	1716 717	Brake Rod	1
73	1716 718	Brake Stop	1
74	1716 716	Bracket	1
75	1716 724	Spring	1
76	1703 066	Roll Pin 1/8 x 3/4	3
77	1713 780	Brk Shoe Assy (78 & 79)	1
78	1713 777	Lining Only	1
79	1185 570	Rivet	2
80	1713 772	Bracket	2
81	1716 723	Brake Rod	1
82	1716 719	Brake Rod	1
83	1721 253	Torsion Spring	1
84	1714 663	Pivot Block	1
85	1703 616	Bowed Washer	2
86	1103 995	Shake Proof Washer 3/8	2
87	1110 108	Lock Nut 3/8-16	21
88	1106 921	Capscrew 3/8-16 x 1-1/8	5
89	1107 035	Capscrew 1/2-13 x 2	1
90	1185 496	Jam Nut 1/2-13	1
91	1106 938	Capscrew 3/8-16 x 2-3/4	6
92	1185 211	Self Thd Scr 1/4-20 x 1/2	6
93	1187 612	Lockwasher 1/4	6
94	1185 498	Speed-Nut (U-Type 5/16-18)	8
95	1185 927	Screw-Truss 5/16-18 x 1/2	4
96	1106 870	Capscrew 5/16-18 x 3/8	4
97	1716 582	Clutch Rod	1
98	1112 587	Clevis Pin 3/8	1
99	1121 551	Lock Nut 3/8-16	2
100	1714 655	Spring	1
101	1722 729	Spring-Actuator (Interlock)	1
102	1722 730	Support - Switch	1
103	1185 844	Shake Proof Washer 9/16	1
104	1100 241	Lockwasher 1/4	5
105	1107 381	Flat Washer 1/4	4
106	1107 177	Capscrew 1/4-28 x 1/2	2
107	1106 930	Capscrew 3/8-16 x 1-3/4	2
108	1106 919	Capscrew 3/8-16 x 1	1
109	1117 713	Screw Flat Hd 3/8-16 x 1	1
110	1106 940	Capscrew 3/8-16 x 3	4
111	1717 236	Hood Stop	1
112	1705 905	Bowed Washer	2
113	1717 244	Bracket	1
114	1182 563	Hex Nut 5/16-18	4
115	1103 204	Capscrew 5/16-18 x 2-1/2	1
116	1714 720	Spacer	1
117	1721 037	Cable Clip	1
118	1714 687	Tank Strap	1
119	1714 685	Tank Strap	1
120	1714 767	Tank (Inc 121)	1
121	1714 766	Cap Only	1
122	1718 029	Tank Outlet	1
123	1106 832	Capscrew 1/4-20 x 5/8	2
124	1114 474	Fil. Screw 1/4-20 x 1-1/2	2

TRACTOR ASSEMBLY MODEL 1254-01

Figure 1 Parts List (Cont)

Ref. No.	Part No.	Description	No. Req'd
125	1110 106	Lock Nut 1/4-20	2
126	1714 648	Spacer	4
127	1185 880	Capscrew 3/8-16 x 3-3/4 H.T.	4
128	1713 394	Plate	1
129	1714 721	Spacer	1
130	1716 679	Bracket - Throttle Wire	1
131	1106 852	Capscrew 1/4-20 x 2	1
132	1185 919	Set Screw 5/16-18 x 1/2	2
133	1187 474	Sq. Key 1/4 x 2-1/4	1
134	1722 941	Engine Pulley	1
135	1716 642	Belt Guide	1
136	1106 936	Capscrew 3/8-16 x 2-1/2	2
137	1716 570	Belt 42-1/2" Set of 2 (PTO)	1
138	1716 571	Belt 34" Set of 2 (Engine)	1
139	1100 240	Lockwasher #10	1
140	1114 755	Screw #10-32 x 5/8	1
141	1717 270	Axle Support	1
142	1714 132	Rubber Tip	1
143	1185 649	Retaining Ring	4
144	1716 594	Pulley	1
145	1721 597	Shaft - PTO (Inc 151)	1
146	1716 647	Belt Guide	1
147	1106 880	Capscrew 5/16-18 x 1-1/8	2
148	1185 224	Oil Seal	1
149	1185 010	Needle Bearing	1
150	1715 785	Support Housing	1

Ref. No.	Part No.	Description	No. Req'd
151	1721 590	Seal Washer	1
152	1185 605	Ball Bearing	1
153	1118 730	Retaining Ring	1
154	1713 383	Axle Pivot	1
155	1185 232	Drive Pin 3/16 x 1-1/4	2
156	1716 697	Axle	1
157	1716 953	Spindle LH	1
158	1716 952	Spindle RH	1
159	1717 462	Drag Link	1
160	1713 378	Steering Lever RH	1
161	1713 377	Steering Lever LH	1
162	1110 152	Self Locking Nut 1/2-20	4
163	1891 696	Drive Pin 5/16 x 1-1/2	2
164	1713 361	Ball Joint	2
165	1103 926	Jam Nut 1/2-20	2
166	1713 385	Tie Rod	1
167	1185 616	Ball Bearing	2
168	1185 615	Ball Bearing	2
169	1715 855	Valve Stem Assembly	2
170	1715 789	Wheel Only	2
171	1717 441	Tire 16 x 6:50 x 8	2
172	1717 357	Wheel & Tire (167 thru 171)	2
173	1218 98	Washer	2
174	1716 197	Set Collar	2
175	1187 857	Capscrew 1/4-20 x 1	2
176	1715 899	Dust Cap	2

TRACTOR ASSEMBLY MODEL 1254-01

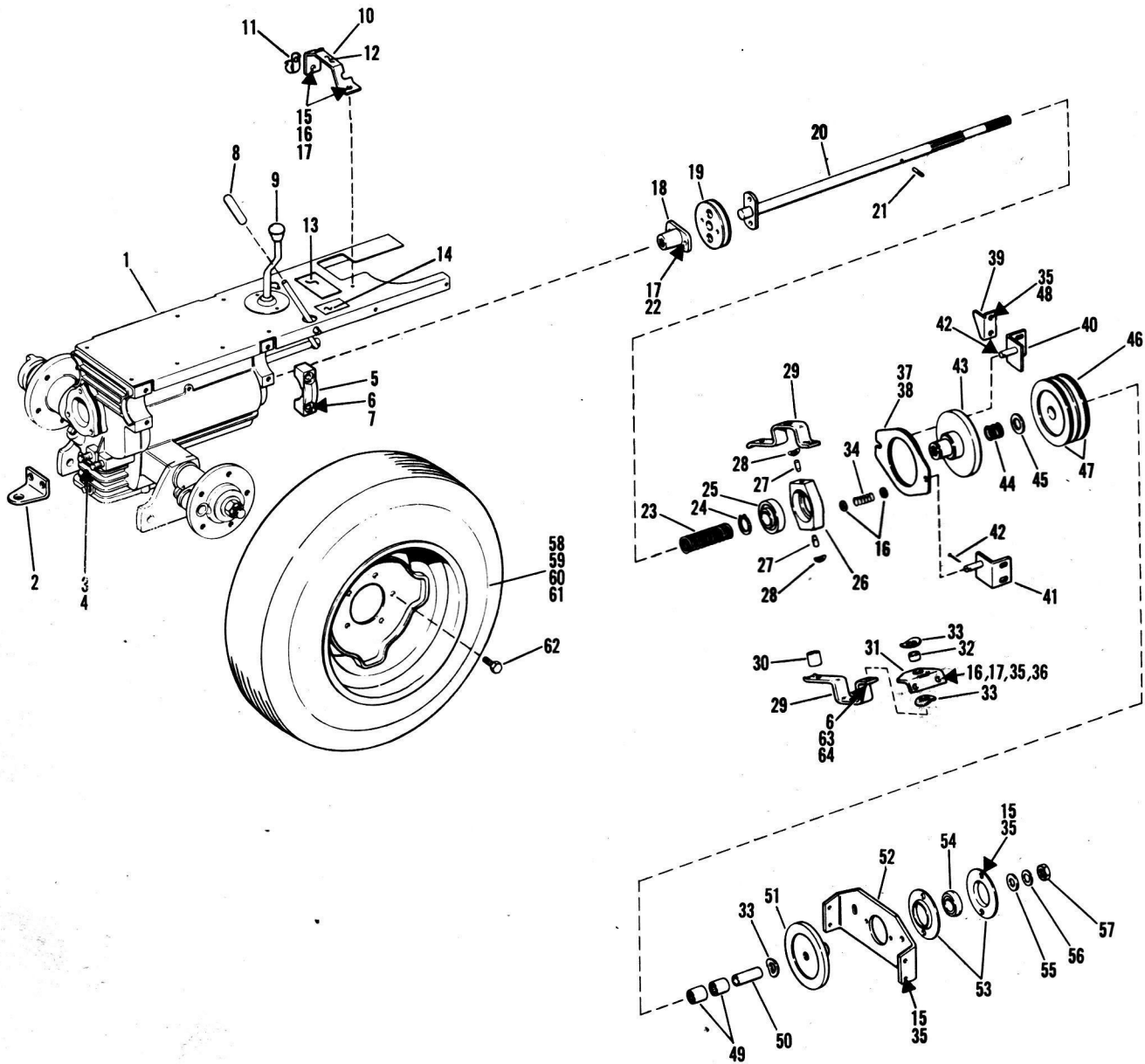


Figure 2

TRACTOR ASSEMBLY MODEL 1254-01

Figure 2 Parts List

Ref. No.	Part No.	Description	No. Req'd
1	1716 736	Gear Case Assy See Fig. 3	1
2	1714 101	Hitch	1
3	1100 245	Lockwasher 1/2	2
4	1112 511	Hex Nut 1/2-13	2
5	1713 461	Mounting Cap	4
6	1100 243	Lockwasher 3/8	10
7	1106 930	Capscrew 3/8-16 x 1-3/4	8
8	1721 896	Grip	1
9	1715 546	Knob	1
10	1713 472	Quadrant - PTO	1
11	1719 514	Open Tube Clip	1
12	1721 072	PTO - Drive Decal	1
13	1721 069	Decal (Shift Pwr Rng Brk)	1
14	1722 928	Decal - Lift - Lever	1
15	1106 872	Capscrew 5/16-18 x 5/8	8
16	1107 382	Flat Washer 5/16	10
17	1110 107	Lock Nut 5/16-18	8
18	1716 585	Coupling	1
19	1716 561	Bonded Coupling	1
20	1717 243	Drive Shaft	1
21	1713 432	Drive Pin 3/16 x 1-1/4	1
22	1110 818	Set Screw 5/16-18 x 3/4	2
23	1714 649	Spring	1
24	1113 526	Retaining Ring	1
25	1704 479	Ball Bearing	1
26	1714 639	Bearing Retainer	1
27	1110 202	Dowel Pin	2
28	1219 00	Bowed Washer	AR
29	1714 666	Clutch Yoke	2
30	1714 665	Spacer	1
31	1714 656	Yoke Support	1
32	1714 664	Spacer	1

Ref. No.	Part No.	Description	No. Req'd
33	1713 122	Bowed Washer	3
34	1713 167	Compression Spring	2
35	1100 242	Lockwasher 5/16	10
36	1106 874	Capscrew 5/16-18 x 3/4	2
37	1716 618	Brake Plate Assy (Inc 38)	1
38	1716 599	Friction Disc Only	1
39	1716 586	Clutch Stop	1
40	1716 638	Brake Bracket LH	1
41	1716 637	Brake Bracket RH	1
42	1100 346	Cotter Pin 3/32 x 3/4	2
43	1716 596	Clutch Flange	1
44	1716 583	Spring	1
45	1185 432	Thrust Race	1
46	1717 240	Pulley Assembly (Inc 47)	1
47	1716 599	Friction Disc	2
48	1106 878	Capscrew 5/16-18 x 1	2
49	1185 471	Needle Bearing	2
50	1717 238	Spacer	1
51	1716 598	Clutch Flange	1
52	1717 293	Bearing Support	1
53	1185 588	Bearing Flange	2
54	1185 587	Self Aligning Bearing	1
55	1185 023	Flat Washer 9/16	1
56	1100 246	Lockwasher 9/16	1
57	1110 153	Lock Nut 9/16-18	1
58	1722 521	Wheel & Tire (Inc 59-61)	2
59	1715 787	Wheel Only	2
60	1722 522	Tubeless Tire 23 x 10.50-12	2
61	1716 011	Valve Stem Assembly	2
62	1010 85	Hub Bolt	10
63	1110 108	Lock Nut 3/8-16	2
64	1106 927	Capscrew 3/8-16 x 1-1/2	2

TRANSMISSION ASSEMBLY MODEL 1254-01
ASSEMBLY PART NO. 1716736

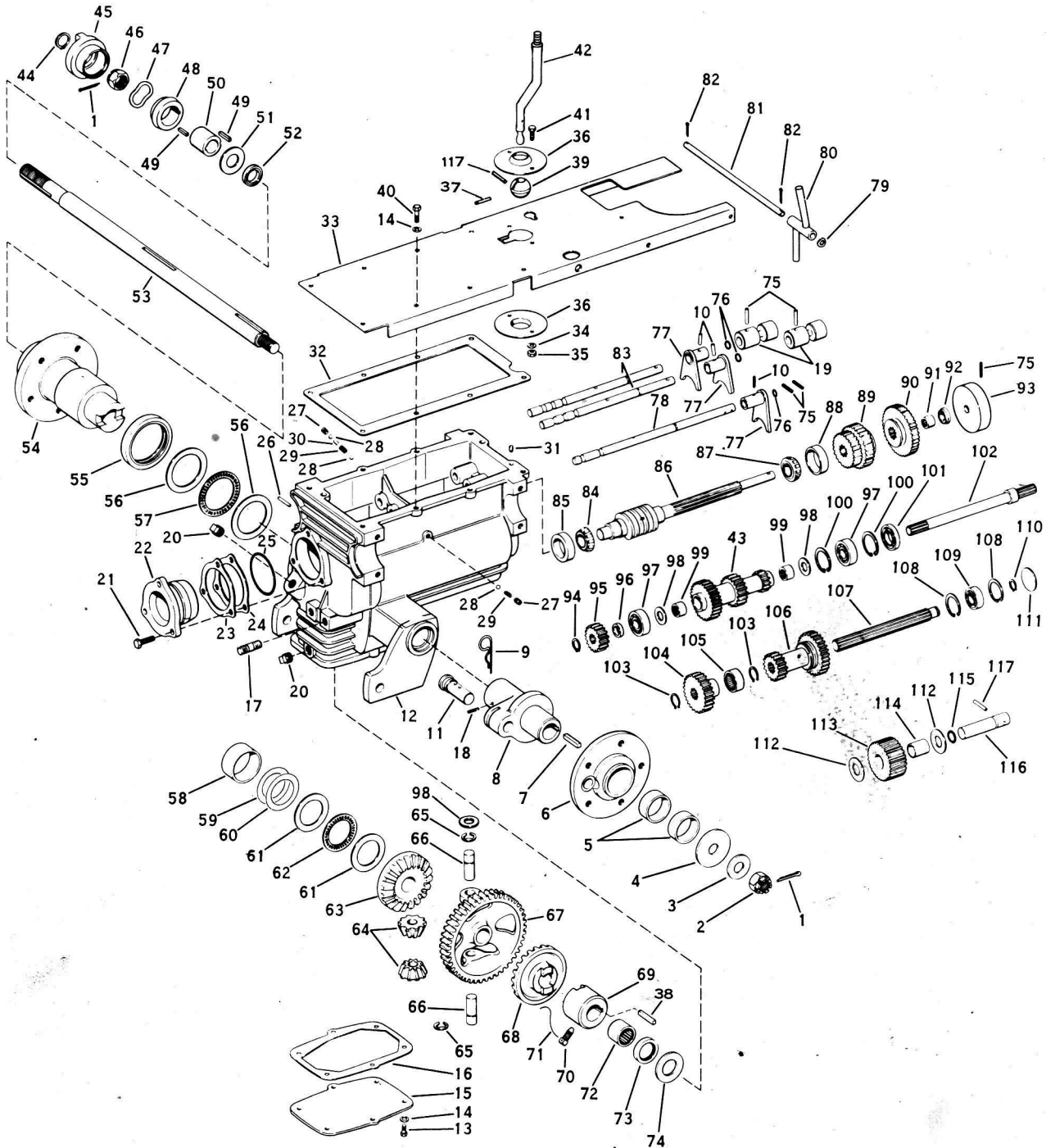


Figure 3

TRANSMISSION ASSEMBLY MODEL 1254-01

Figure 3 Parts List

Ref. No.	Part No.	Description	No. Req'd.	Ref. No.	Part No.	Description	No. Req'd.
1	1100352	Cotter Pin 1/8 x 1-1/2	2	61	1185638	Thrust Race	2
2	1109653	Castle Nut 3/4-16 UNF	1	62	1185639	Thrust Bearing	1
3	1707410	Washer	1	63	1716501	Bevel Gear 22T	1
4	1716502	Washer	1	64	1713466	Bevel Pinion 10T	2
5	1185646	Bronze Bearing	2	65	1177567	Retaining Ring	2
6	1716509	Free Wheeling Hub	1	66	1713467	Pinion Shaft	2
7	1104337	Sq. Key 1/4 x 1/4 x 1-1/2	1	67	1716513	Worm Wheel	1
8	1716506	Drive Collar	1	68	1716689	Bevel Gear 22T	1
9	1185590	Hitch Pin	1	69	1716503	Drive Hub	1
10	1703066	Roll Pin 1/8 x 3/4	3	70	1716519	Drive Screw	2
11	1713426	Lock Pin	1	71	1716692	Locking Wire	1
12	1716517	Gear Case	1	72	1185645	Needle Bearing	1
13	1106872	Capscrew 5/16-18 x 5/8	6	73	1185642	Oil Seal	1
14	1100242	Lockwasher 5/16	14	74	1716504	Thrust Washer	1
15	1713428	Bottom Cover	1	75	1704692	Roll Pin 1/8 x 1	5
16	1713427	Bottom Gasket	1	76	1177388	O-Ring	3
17	1718067	Stud	2	77	1716489	Shifter Arm	3
18	1185409	Drive Pin 1/4 x 5/8	1	78	1716514	Shifter Shaft	1
19	1713422	Connector	2	*79	1703616	Bowed Washer	1
20	1105678	Plug 3/8 N. P. T.	2	*80	1722003	Shift Lever	1
21	1185637	Capscrew - Special	3	*81	1716530	Shaft	1
22	1716497	Bearing Cap	1	*82	1100346	Cotter Pin 3/32 x 3/4	2
23	1716493	Shim .0125	As Req.	83	1713424	Shifter Shaft	2
24	1716494	Shim .005	As Req.	84	1185201	Bearing Cone	1
25	1185636	O-Ring	1	85	1185202	Bearing Cup	1
26	1120209	Roll Pin 3/16 x 3/4	1	86	1713408	Worm Shaft	1
27	1185342	Set Screw 5/16-18 x 3/8	2	87	1185275	Bearing Cone	1
28	1713416	Ball	3	88	1185276	Bearing Cup	1
29	1713417	Compression Spring	2	89	1713439	Sliding Gear	1
30	1713421	Pin	1	90	1713409	Gear 38T	1
31	182682	Breather	1	91	1185165	Needle Bearing	1
32	1713429	Top Gasket	1	92	1891820	Oil Seal	1
*33	1722002	Cover Plate	1	93	1713597	Brake Drum	1
*34	1100241	Lockwasher 1/4	2	94	1185668	Retaining Ring	1
*35	1121507	Hex Nut 1/4-20	2	95	1716490	Gear 19T	1
*36	1713455	Bearing Retainer	2	96	1716495	Spacer	1
*37	1110181	Dowel Pin	1	97	1185634	Ball Bearing	2
38	1703053	Square Key 1/4	1	98	1712763	Washer	6
*39	1722004	Pivot Ball	1	99	1185074	Needle Bearing	2
*40	1106876	Capscrew 5/16-18 x 7/8	8	100	1700012	Retaining Ring	2
*41	1106832	Capscrew 1/4-20 x 5/8	2	101	1185633	Oil Seal	1
*42	1722005	Shift Lever	1	102	1717125	Input Shaft	1
43	1716477	Gear & Shaft	1	103	1113527	Retaining Ring	2
44	1180025	Retaining Ring	1	104	1716491	Gear 28T	1
45	1714564	Adjusting Nut	1	105	1185635	Needle Bearing	1
46	1120129	Hex Nut 1-14 UNF	1	106	1716480	Gear & Shaft	1
47	1721357	Spring Washer	4	107	1716492	Splined Shaft	1
48	1714562	Drive Cone	1	108	1118723	Retaining Ring	2
49	1104336	Sq. Key 1/4 x 1/4 x 1	2	109	1104439	Ball Bearing	1
50	1714561	Coupling	1	110	1118807	Retaining Ring	1
51	1713468	Thrust Washer	1	111	1200029	Expansion Plug	1
52	1185295	Oil Seal	1	112	1707546	Flat Washer	2
53	1716507	Axle	1	113	1713412	Gear 28T	1
54	1716511	Wheel Hub	1	114	1185113	Bronze Bearing	1
55	1185643	Oil Seal	1	115	1185360	O-Ring	1
56	1185640	Thrust Race	2	116	1713419	Idler Shaft	1
57	1185641	Thrust Bearing	1	117	1185232	Roll Pin 3/16 x 1-1/4	1
58	1185644	Bronze Bearing	1				
59	1716498	Shim .0125"	As Req.				
60	1716499	Shim .005"	As Req.				

*Indicates Parts Not Included With Gear Case Assembly Part No. 1716736.

TRACTOR ASSEMBLY MODEL 1254-01

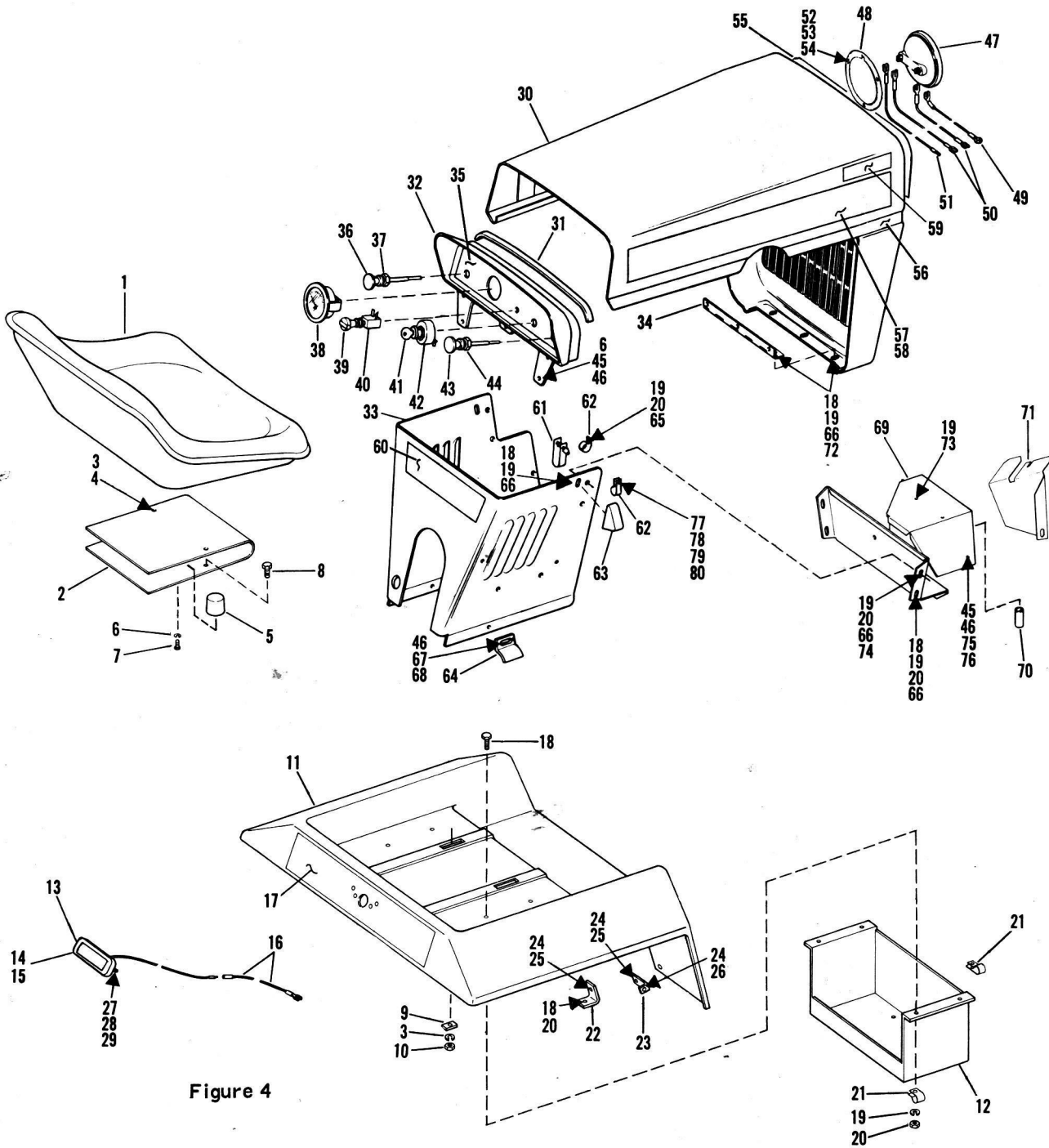


Figure 4

Figure 4 Parts List

Ref. No.	Part No.	Description	No. Req'd
1	1722 474	Seat	1
2	1722 930	Seat Spring	1
3	1100 243	Lockwasher 3/8	4
4	1106 915	Capscrew 3/8-16 x 3/4	2
5	1722 929	Bumper	1
6	1100 241	Lockwasher 1/4	5
7	1106 830	Capscrew 1/4-20 x 1/2	1
8	1106 917	Capscrew 3/8-16 x 7/8	2
9	1721 876	Reinforcing Plate	2
10	1121 509	Hex Nut 3/8-16	2
11	1721 846	Rear Fender	1
12	1721 893	Fender Support	1

Ref. No.	Part No.	Description	No. Req'd
13	1805 342	Taillight Assy (Inc 14 & 15)	1
14	*	Bulb (GE 1895)	1
15	1805 110	Lens Only	1
16	1718 020	Lead Wire	1
17	1721 889	Decal (Reflector)	1
18	1106 872	Capscrew 5/16-18 x 5/8	14
19	1100 242	Lockwasher 5/16	15
20	1110 107	Lock Nut 5/16-18	12
21	1704 930	Clamp - Taillight Wire	2
22	1722 016	Fender Support Bracket	2
23	1722 017	Fender Support Lower	2
24	1185 927	Screw-Truss 5/16-18 x 1/2	6

TRACTOR ASSEMBLY MODEL 1254-01

Figure 4 Parts List (Cont)

Ref. No.	Part No.	Description	No. Req'd
25	1185 873	Speed Nut 5/16-18	4
26	1185 498	Speed Nut (U-Type 5/16-18)	2
27	1116 197	Screw #6-32 x 1/2	2
28	1103 989	Lockwasher	2
29	1109 764	Nut #6-32	2
30	1717 220	Hood & Grill Assy w/o Decals	1
31	1717 599	Pad	1
32	1717 249	Instrument Panel	1
33	1722 082	Rear Panel	1
34	1717 246	Hinge	1
35	1722 751	Decal (Instrument Panel)	1
36	1718 232	Choke Knob & Wire Only	1
37	1717 241	Choke (Inc 36)	1
38	1714 146	Ammeter	1
39	1718 231	Light Switch Knob Only	1
40	1717 256	Light Switch (Inc 39)	1
41	1718 266	Key Only	1
42	1721 409	Ignition Switch (Inc 41)	1
43	1718 233	Throttle Knob & Wire Only	1
44	1717 242	Throttle Control (Inc 43)	1
45	1121 507	Hex Nut 1/4-20	5
46	1107 381	Flat Washer 1/4	7
47	*	Headlight (GE 4406)	2
48	1719 708	Retaining Ring	2
49	1717 394	Lead Wire	1
50	1717 370	Lead Wire	2
51	1717 369	Lead Wire	1
52	1185 911	Rivet	6

Ref. No.	Part No.	Description	No. Req'd
53	1185 748	Wave Washer	6
54	1185 746	Spring Clip	6
55	1722 752	Decal (Trade Mark)	1
56	1717 859	Tape Strip (68" LG)	1
57	1722 820	Decal (Hood RH)	1
58	1722 821	Decal (Hood LH)	1
59	1722 764	Decal - Bolens	2
60	1722 939	Decal (Instructions)	1
61	1719 512	Tie Band	1
62	1721 037	Cable Clip	4
63	1717 232	Latch	2
64	1714 642	Brace	2
65	1100 078	Capscrew 5/16-18 x 7/8	2
66	1107 382	Flat Washer 5/16	9
67	1115 931	Phillips Screw 1/4-20 x 5/8	2
68	1185 456	Tinnerman Nut	2
69	1722 927	Heat Shield	1
70	1717 596	Spacer	1
71	1723 201	Heat Shield	1
72	1182 563	Hex Nut 5/16-18	3
73	1111 609	Capscrew 5/16-18 x 2-3/4	1
74	1106 874	Capscrew 5/16-18 x 3/4	1
75	1106 832	Capscrew 1/4-20 x 5/8	1
76	1187 612	Lockwasher 1/4	1
77	1114 748	Screw #10-32 x 1/2	1
78	1100 253	Flat Washer #10	1
79	1100 240	Lockwasher #10	1
80	1109 845	Hex Nut #10-32	1

*Not stocked. Purchase from your local automotive or electrical supplier.

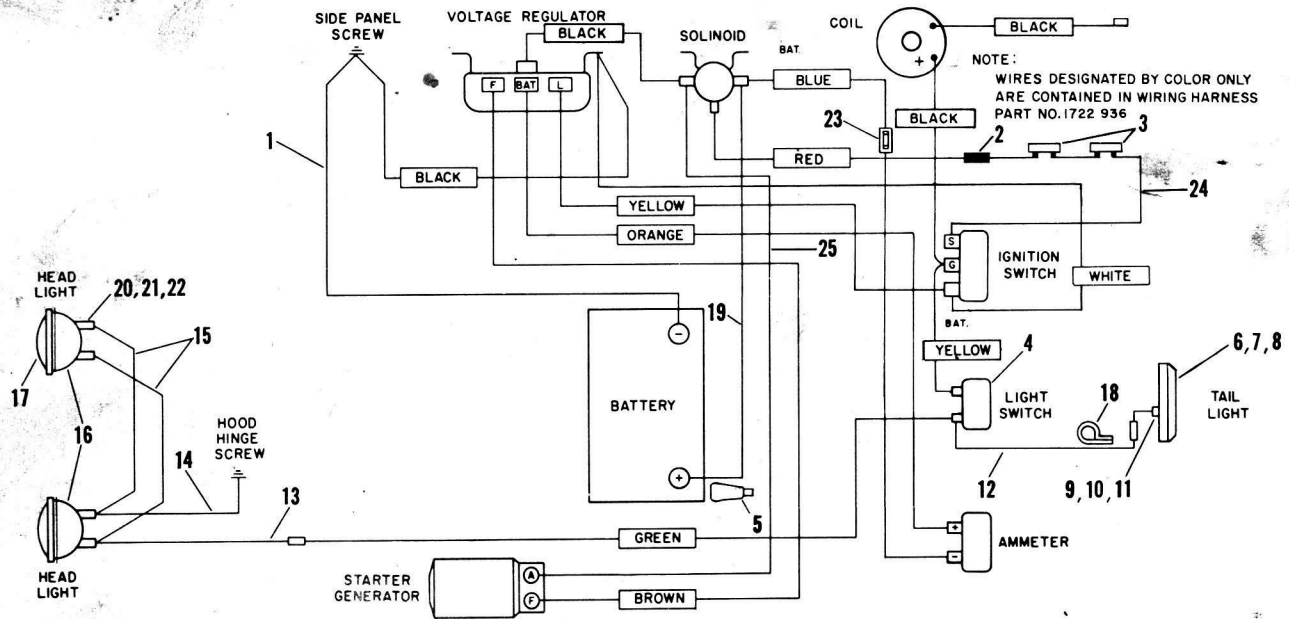
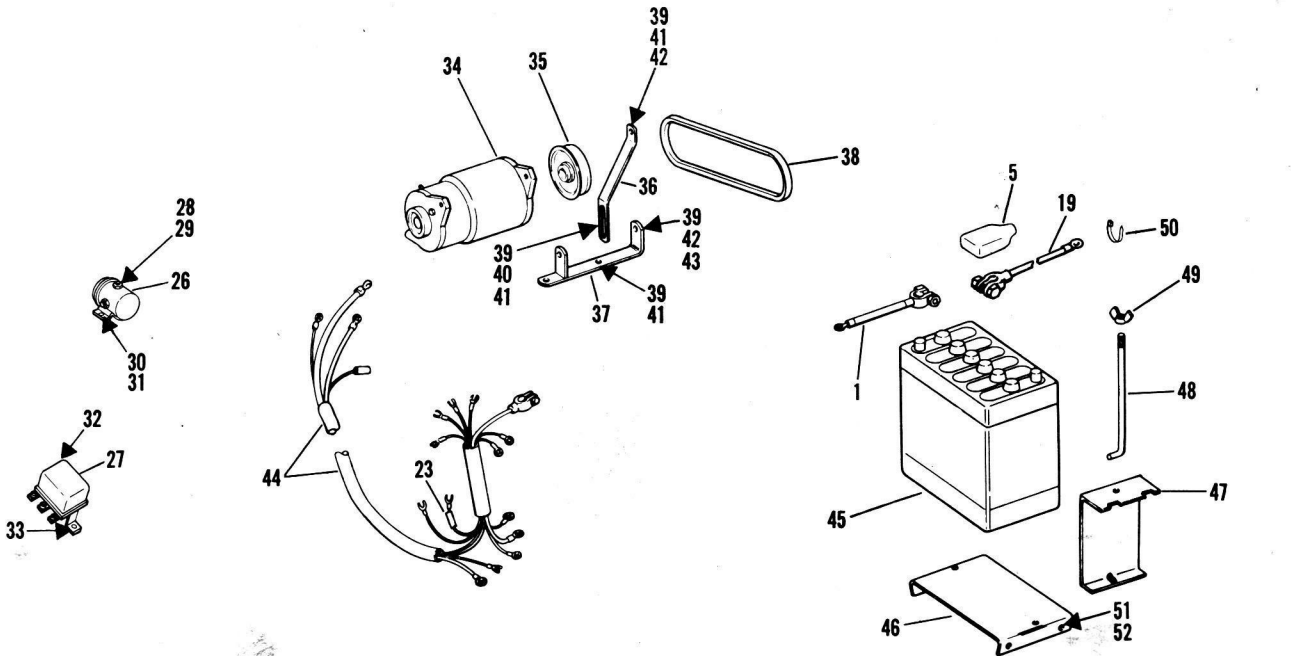
Figure 5 Parts List

Ref. No.	Part No.	Description	No. Req'd
1	1716 636	Lead Assembly (Ground)	1
2	1721 038	Connector	1
3	1720 693	Switch Interlock	2
4	1717 256	Light Switch	1
5	1721 413	Battery Terminal Boot	1
6	1805 342	Taillight Assy (Inc 7 & 8)	1
7	*	Bulb (GE 1895)	1
8	1805 110	Lens Only	1
9	1103 989	Lockwasher #6	2
10	1109 764	Nut #6-32	2
11	1116 197	Screw #6-32 x 1/2	2
12	1718 020	Lead	1
13	1717 369	Lead Headlight	1
14	1717 394	Lead Headlight	1
15	1717 370	Lead Headlight	2
16	1719 708	Retaining Ring	2
17	*	Headlight Bulb (GE 4406)	2
18	1704 930	Clamp	2
19	1719 510	Battery Lead	1
20	1185 746	Ratchet Plate	6
21	1185 911	Rivet	6
22	1185 748	Wave Washer	6
23	1720 976	Fuse 20 Amp	1
24	1722 937	Wiring Harness - Interlock	1
25	1722 976	Wire - Lead	1
26	1717 048	Solenoid	1

Ref. No.	Part No.	Description	No. Req'd
27	1708 287	Voltage Regulator	1
28	1109 845	Hex Nut #10-32	1
29	1182 563	Hex Nut 5/16-18	1
30	1115 931	Phillips Screw 1/4-20 x 5/8	1
31	1185 456	Tinnerman Nut	1
32	1187 612	Lockwasher 1/4	1
33	1185 854	Self Tap Screw #14-1/2	1
34	1716 169	Starter Generator	1
35	1708 293	Pulley - Generator	1
36	1714 688	Adjusting Strap	1
37	1716 315	Support - Generator	1
38	1714 690	Generator Belt 31-31/32	1
39	1100 242	Lockwasher 5/16	4
40	1107 382	Flat Washer 5/16	1
41	1100 078	Capscrew 5/16-18 x 7/8	3
42	1110 107	Lock Nut 5/16-18	2
43	1100 808	Capscrew 5/16-18 x 1-1/4	1
44	1722 936	Wiring Assembly	1
45	1718 027	Battery 45 Amp	1
46	1718 111	Carrier Battery	1
47	1720 538	Clamp Battery	2
48	1718 108	Clamp Rod	2
49	1709 652	Wing Nut 1/4-20	2
50	1805 345	Tie Cable	1
51	1118 378	Screw 5/16-18 x 1/2	4
52	1185 873	Speed Nut 5/16-18	4

TRACTOR ASSEMBLY MODEL 1254-01

ELECTRICAL GROUP AND COMPONENT PARTS



*173 12/10
fuse wire
& Holder*

Figure 5