

Bolens®

DIESEL TRACTORS

Push Arm Kit Installation With Parts List

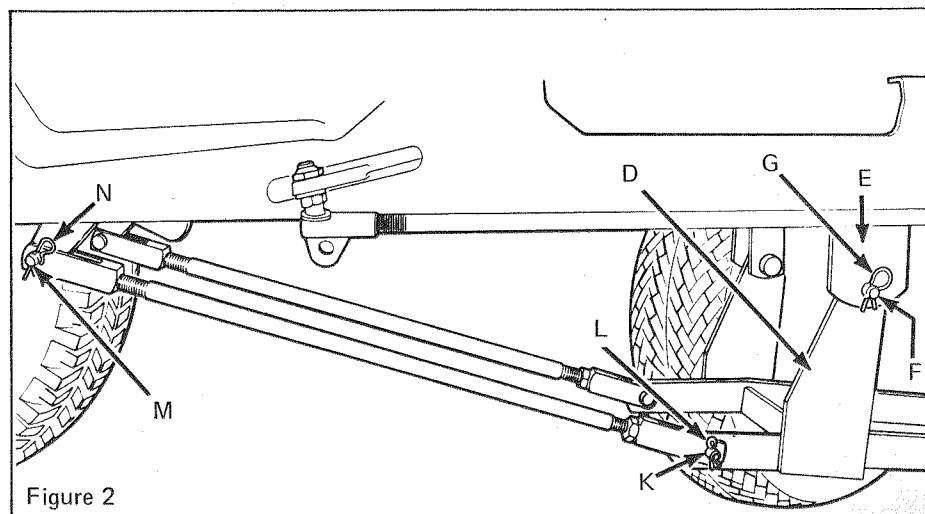
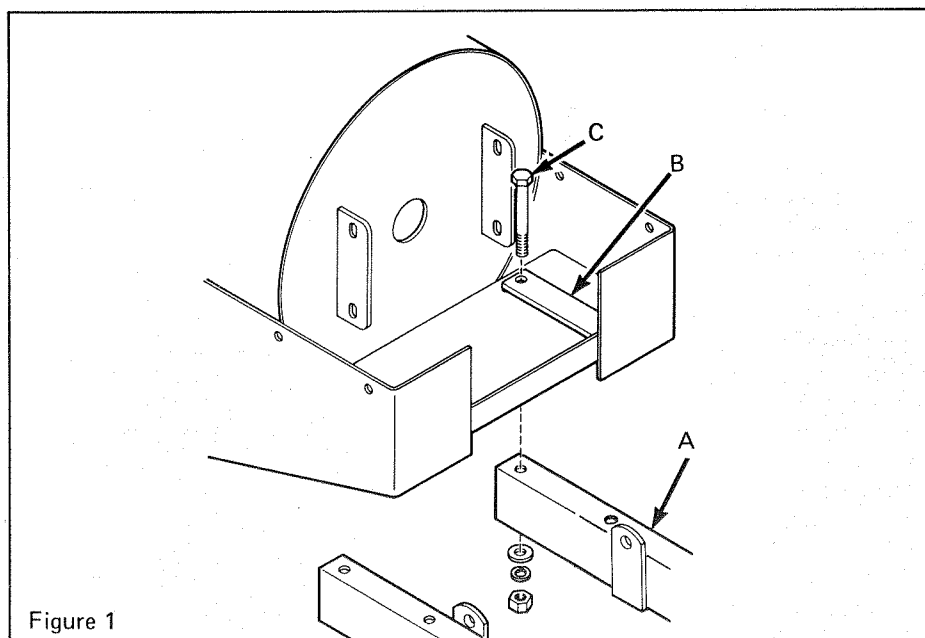
Model 18151

Identification numbers are required if any repair or questions are to be answered by a Bolens Dealer. Locate Model and Serial numbers on Push Arm name plate and list those numbers below.

Install kit to attachment and tractor as follows:

1. Line up holes in push arm tubes "A" Fig. 1, with lift plate holes (wide pattern) at rear of attachment (tubes must be under lift plate). Secure tubes to plate as shown in Fig. 1 using two (2) straps "B" (assembled on top of lift plate), four (4) 1/2" x 4-1/4" (1.3 x 10.8 cm) hex cap-screws "C"; flat washers, lock washers and lock nuts supplied with attachment. Tighten securely.

2. With tractor directly behind attachment and push arm, roll tractor forward (transmission in neutral) until hitch plates "D" Fig. 2, can be assembled between hanger brackets "E". Line up holes and secure using (long) clevis pins "F" and spring clips "G".



3. Turn a 5/8" (15.9 mm) hex jam nut "H" Fig. 3, onto one end of each push rod "I". Turn a clevis "J" onto each end of both rods.

Adjust length of push rods by turning the clevis at both ends until the length between clevis pin holes is 26-1/2" (67.3 cm). Adjust rods so each clevis is turned onto rod approximately the same distance. Turn jam nut tight against clevis.

4. Assemble clevis end of push rod assemblies (with jam nut) to rear of push arm frame using (short) clevis pins "K" Fig. 2, and cotter pins "L". Turn back ends of cotter pins.

Assemble other end of push rod assemblies to tractor lift arms using (short) clevis pins "M" and spring clips "N".

5. Attach the R.H. and L.H. bracket assemblies to front sides of tractor frame. Four (4) capscrews (secure front axle support to frame) are to be removed one at a time—rear capscrew first. Follow procedure below.

From R.H. side of tractor, remove existing capscrew and lock washer (towards rear). Position rear hole of R.H. bracket "O" Fig. 4 (bracket bend is facing out with eye bolt bracket up) over this hole and assemble a 3/8 x 1" (1 x 2.5 cm) flange screw "P" (from kit) all the way but DO NOT tighten.

From same side of tractor, remove existing capscrew and lock washer (towards front). Position front hole of R.H. bracket over this hole and assemble another 3/8 x 1" (1 x 2.5 cm) flange screw "Q", also from kit. **TIGHTEN BOTH SCREWS SECURELY.**

Attach L.H. bracket using same procedure.

Store all four (4) capscrews and lock washers removed from tractor in a safe place.

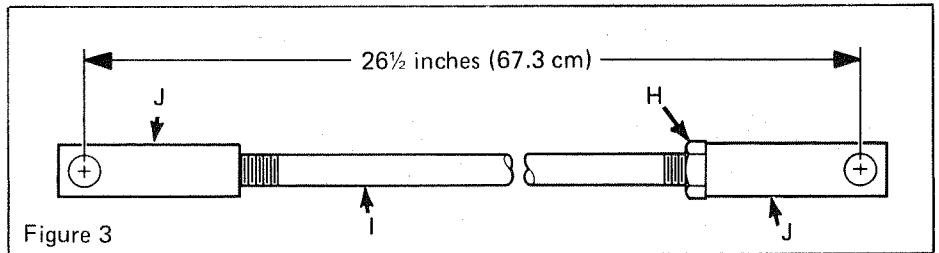


Figure 3

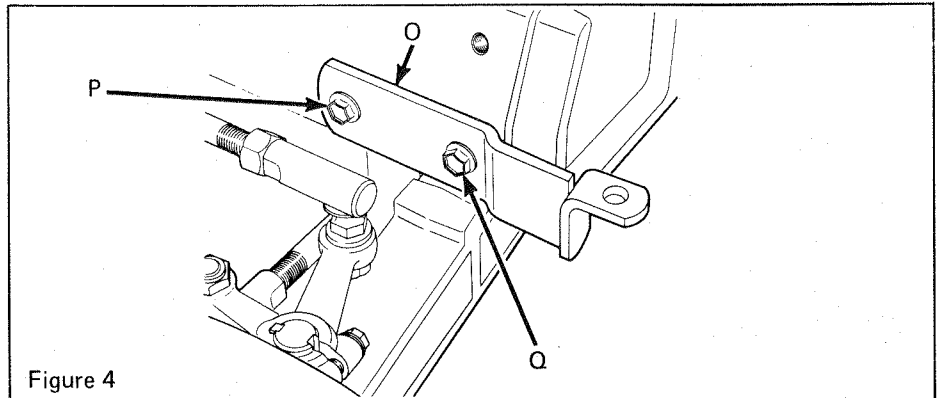


Figure 4

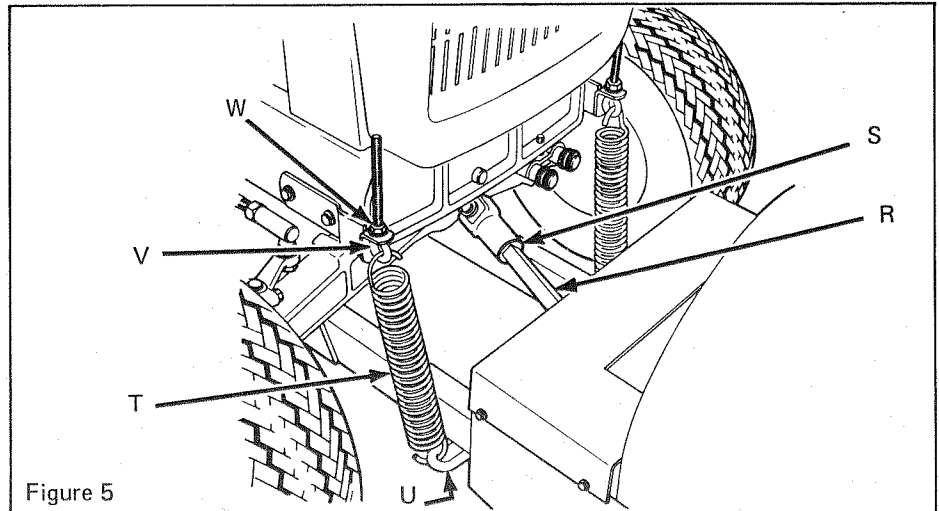


Figure 5

6. Coat rectangular end of drive shaft "R" Fig. 5, with grease. Slide end into rectangular opening of tractor's universal joint "S". Tap key into keyway slot of drive gear case input shaft. Slide other end of drive shaft onto drive gear case input shaft. Line up holes, insert the 1/4 x 2" (6.3 x 50.8 mm) hex capscrew and secure with flat washer and lock nut.

7. On one side of push arm frame hook one end of spring "T", Fig. 5, into anchor

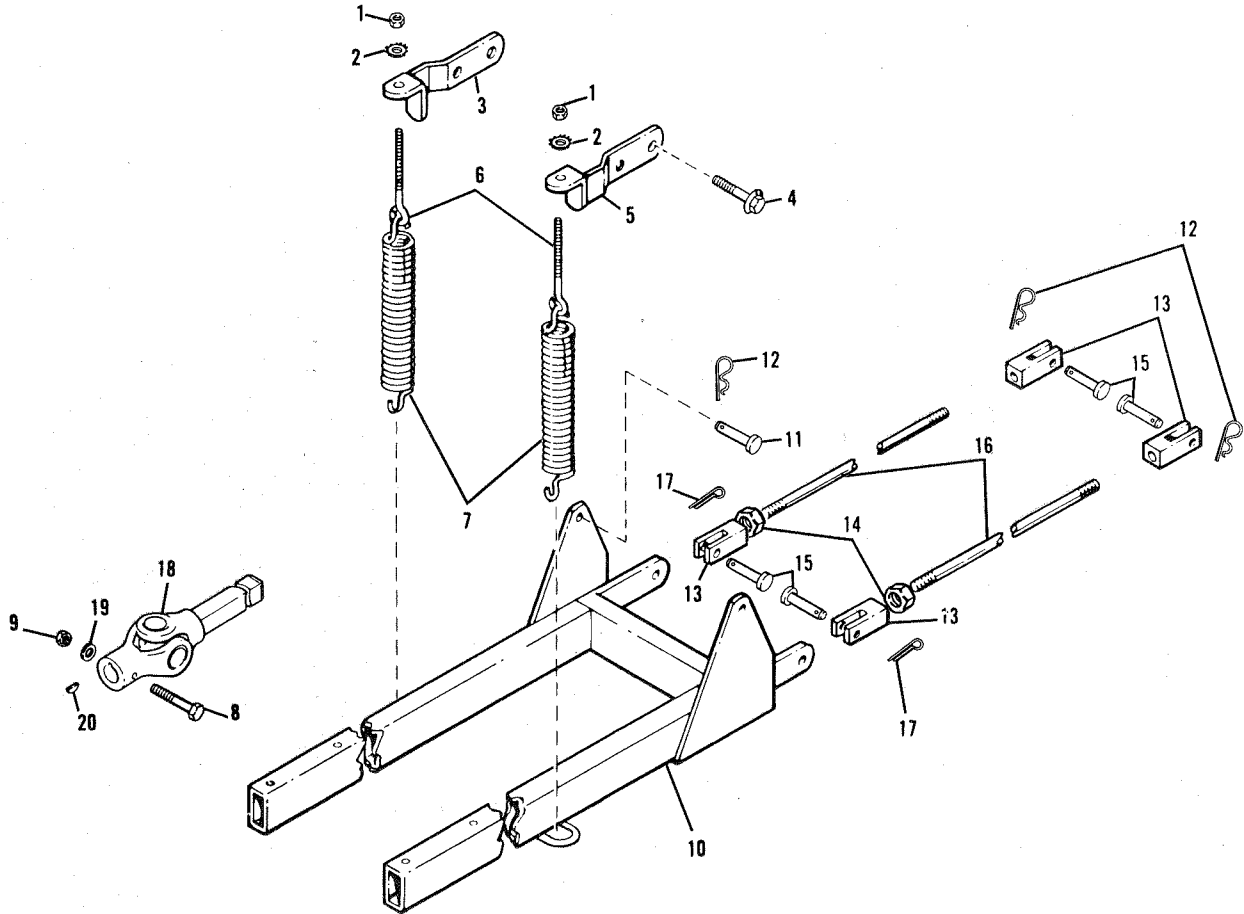
"U". Hook other end of spring through eye bolt loop "V". Insert threaded end of eye bolt through eye bolt bracket and secure with external tooth lock washer and hex nut "W".

Install other spring to other side of frame using same procedure.

Tighten nuts on both eye bolts all the way to end of threads.

PUSH ARM KIT PARTS LIST

MODEL 18151



REF. NO.	PART NO.	DESCRIPTION	NO. REQ'D.
1	● 1186231	Hex Nut, 3/8-16	2
2	● 1103995	Ext. Tooth Lockwasher, 3/8	2
3	1725746	R.H. Bracket Assy	1
4	1186347	Whiz-Lock Flange Screw, 3/8-16 x 1	4
5	1725747	L.H. Bracket Assy	1
6	1725748	Eye Bolt	2
7	1714844	Extension Spring.	2
8	● 1100807	Hex Hd. Capscrew, 1/4-20 x 2	1
9	1734398	Locknut, 1/4-20	1
10	1737742	Push Arm Assy	1
11	1709622	Clevis Pin.	2
12	1723478	Spring Clip	4
13	1714573	Clevis	4
14	● 1108891	Hex Jam Nut, 5/8-11	2
15	1713553	Clevis Pin.	4
16	1722631	Push Rod.	2
17	● 1100350	Cotter Pin, 1/8 x 1.	2
18	1725244	Drive Shaft Assy	1
19	● 1107381	Flat Washer, 1/4	1
20	1100276	Woodruff Key.	1

● Common Hardware - Purchase Locally.
(Grade 5 Where Applicable)