

---

# ***Bolens***<sup>®</sup>

**Mower  
Attachment  
60 Inch**

**Model 50060S**

Serial Numbers 0100101  
thru 0199999

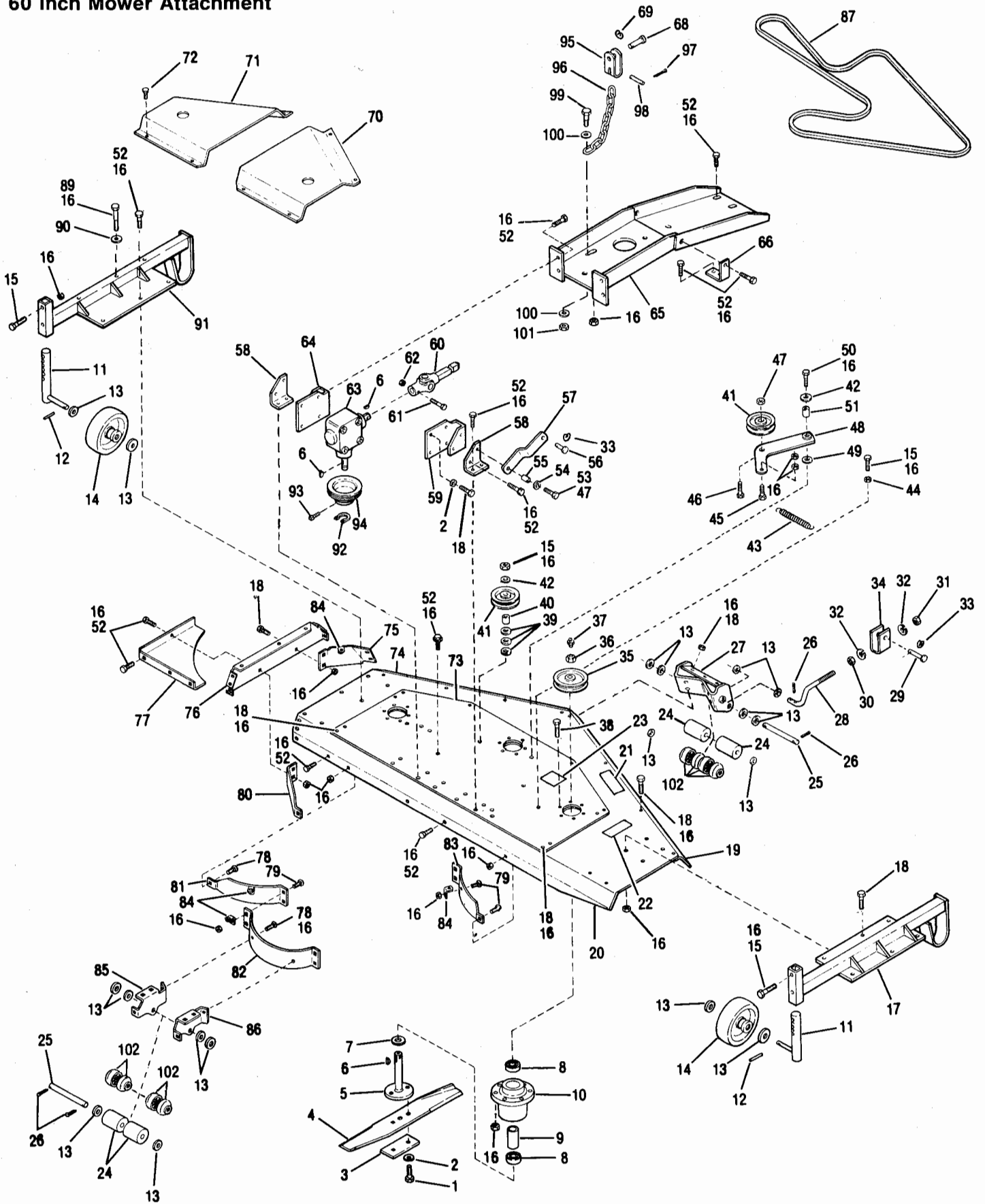
**Model 51060S**

Serial Numbers 0100101  
thru 0199999

**Parts  
List**

FORM P-3985-2 (5/88)  
SUPERSEDES P-3985-1

# 60 Inch Mower Attachment



## MODEL 50060S & 51060S

REF. NO.	PART NO.	DESCRIPTION	NO. REQ'D
1 •	1100009	Hex Hd. Screw 3/8-14 x 1 .....	6
2 •	1100243	Lock Washer, 3/8 .....	10
3	1738847	Blade Plate .....	3
4	1738742	Blade .....	3
5	1738806	Blade Shaft Ass'y .....	3
6	1186034	Woodruff Key 1/4 x 7/8 .....	3
7	1701449	Special Washer .....	3
8	1185100	Ball Bearing .....	6
9	1739484	Sleeve .....	3
10	1733686	Spindle Housing .....	3
11	1747783	Rear Axle Ass'y .....	2
12	1185597	Roll Pin, 3/16 x 1-1/8 .....	2
13 •	1107387	Flat Washer, 3/4 (1) .....	18
•	1107387	Flat Washer, 3/4 (2) .....	24
14	1747799	Wheel & Tire Ass'y .....	2
15 •	1100048	Hex Hd. Screw 3/8-16 x 2 .....	4
16 •	1733398	Hex Lock Nut, 3/8-16 .....	103
17	1747777	Gage Wheel Support. R.H. ....	1
18 •	1100068	Hex Screw, 3/8-16 x 3/4 .....	40
19	1747762	R.H. Front Base .....	1
20	1750198	Mower Base w/Decals (Incl. Ref. 21) .....	1
21	1750712	Decal, Danger .....	1
22	1744491	Cutting Line Decal .....	1
23	1730200	Belt Drive Decal .....	1
24	1747107	Roller (1) .....	4
25	1747787	Roller Shaft .....	2
26 •	1100351	Cotter Pin 1/8 x 1-1/4 .....	8
27	1748277	Front Drag Bracket Ass'y .....	1
28	1746170	Hitch Link .....	2
29	1752308	Clevis Pin .....	2
30	1186236	Hex Nut 3/4-10 .....	2
31	1110113	Hex Lock Nut 3/4-10 .....	2
32	1103977	Lock Washer, 3/4 .....	4
33	1751909	Circle Wire Ring .....	4
34	1749640	Hitch Bracket Ass'y .....	2
35	1748284	Blade Sheave .....	3
36	1739384	Hex Lock Nut 1.00-14 .....	3
37	1185976	Grease Fitting .....	3
38 •	1100043	Hex Screw, 3/8-16 x 1-1/4 .....	28
39	1891733	Spec. Washer .....	3
40	1740203	Spacer .....	1
41	1752354	Idler Pulley .....	2
42 •	1100256	Flat Washer, 3/8 .....	2
43	1725367	Extension Spring .....	1
44 •	1186259	Hex Nut, 3/8-16 .....	1
45	1748374	Hex Screw, 3/8-16 x 1-1/2 .....	1
46	1748373	Hex Screw 1/2-13 x 1-13/16 .....	1
47	1734514	Hex Nut, Lock 1/2-13 .....	3
48	1749769	Idler Arm Ass'y .....	1
49	1724929	Thrust Washer .....	1
50 •	1100047	Hex Screw 3/8-16 x 1-1/2 .....	1
51	1185395	Sleeve Bearing .....	1

• Common Hardware Purchase Locally (Grade 5 where applicable)

REF. NO.	PART NO.	DESCRIPTION	NO. REQ'D
52 •	1100046	Hex Hd Screw 3/8-16 x 1 .....	25
53 •	1100065	Hex Screw 1/2-13 x 1-3/4 .....	2
54 •	1100257	Flat Washer, 1/2 .....	2
55	1746172	Spacer .....	2
56	1752309	Clevis Pin 5/8 .....	2
57	1755730	Drag Link .....	2
58	1748273	Mounting Bracket .....	2
59	1748271	R.H. Gear Box Bracket .....	1
60	1748283	Drive Ass'y (1) .....	1
	1756089	Drive Ass'y (2) .....	1
61 •	1100807	Hex Hd Screw 1/4-2 x 2 .....	1
62	1734398	Hex Nut, Lock 1/4-20 .....	1
63	*	Right Angle Gear Box Ass'y (See Back Page for Breakdown) .....	1
64	1748272	L.H. Gear Box Bracket .....	1
65	1753015	Base Bridge Ass'y .....	1
66	1749044	Support Bracket .....	2
68 •	1112587	Clevis Pin 3/8 x 1-1/8 .....	2
69	1751908	Circle Wire Ring .....	2
70	1748282	R.H. Belt Cover .....	1
71	1747797	L.H. Belt Cover .....	1
72	1723037	Hex Thd Form Screw 3/8-16 x 3/4 .....	8
73	1748280	Double Base .....	1
74	1747763	L.H. Front Base .....	1
75	1747775	Front Corner Baffle .....	1
76	1747764	End Base .....	1
77	1749634	Plate Baffle .....	1
78 •	1186128	Carriage Bolt, 3/8-16 x 1 .....	5
79 •	1186126	Carr. Bolt, 3/8-16 x 3/4 .....	3
80	1747774	Rear Corner Baffle .....	1
81	1747773	L.H. Baffle .....	1
82	1747771	Center Baffle .....	1
83	1747772	R.H. Baffle .....	1
84	1747770	Baffle Bracket .....	5
85	1747768	L.H. Roller Bracket .....	1
86	1747767	R.H. Roller Bracket .....	1
87	1748274	V-Belt .....	1
89 •	1100770	Hex Screw 3/8-16 x 2-3/4 .....	3
90	1701055	Flat Washer, 3/8 x 1-1/4 .....	3
91	1747778	L.H. Gage Wheel Support Bracket .....	1
92	1118554	Retaining Ring, 1" .....	2
93	1737419	Sq. Hd. Set Screw, 5/16-18 x 3/4 .....	2
94	1748276	Drive Sheave .....	1
95	1752474	Clevis .....	2
96	1752130	Chain .....	2
97	1110107	Locknut 5/16-18 .....	4
98	1100808	Hex Screw, 5/16-18 x 1-1/4 .....	2
99 •	1100045	Hex Screw 5/16-18 x 1 .....	2
100 •	1107382	Flat Washer 5/16 .....	4
101	1732499	Lock Nut 5/16-18 .....	2
102	1754611	Roller (2) .....	8

### MODEL 50060S

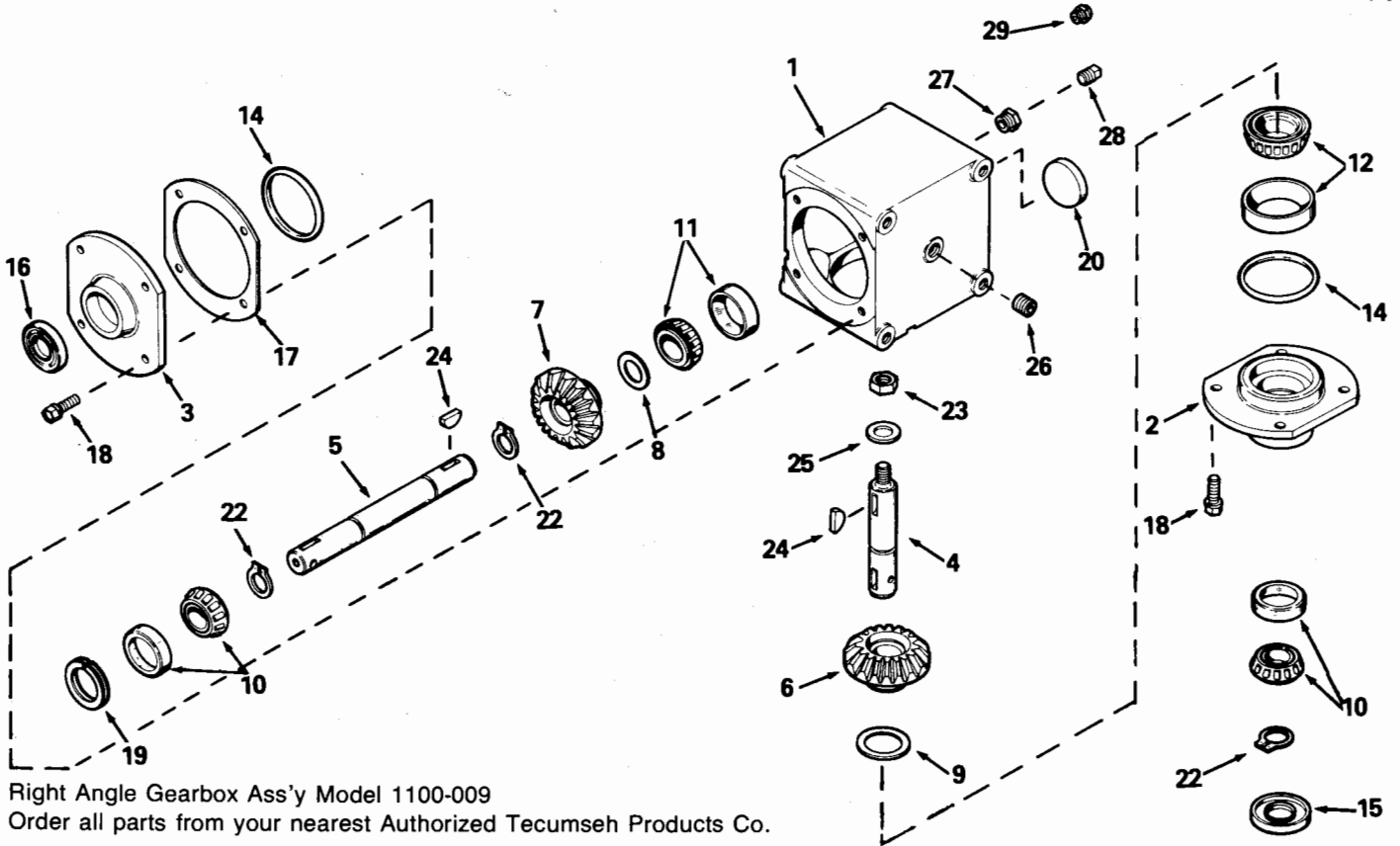
(1) Serial Numbers 0100101 thru 0199999

### MODEL 51060S

(2) Serial Numbers 0100101 thru 0199999

# 60 Inch Mower Attachment

# MODEL 50060S & 51060S



Right Angle Gearbox Ass'y Model 1100-009  
 Order all parts from your nearest Authorized Tecumseh Products Co.

REF. NO.	PART NO.	DESCRIPTION	QTY.
1	770076	Housing, Right angle drive	
2	786104A	Cap, Retainer	
3	786105	Cap, Retainer	
4	776239	Shaft, Output	
5	776222	Shaft, Input	
6	778180	Gear, Bevel (20 teeth)	
7	778181	Gear, Bevel (27 teeth)	
8	780131	Shim (1-1/2" O.D. x 1-1/64" I.D. x .002 thick) (use as required)	
9	780138	Shim (2.000" O.D. x 1.531" I.D. x .002 thick) (use as required)	
10	780132	Bearing & Cup Ass'y. (This assembly may have a shim washer included. The shim washer is not required at this location.)	
11	780132	Bearing & Cup Ass'y. (This is a factory sized assembly and may or may not include Ref. No. 8 shim washer. If Ref. No. 8 shim washer is supplied, it must be used in this location. All old shim washers must be discarded.)	

REF. NO.	PART NO.	DESCRIPTION	QTY.
12	780134	Bearing & Cup Ass'y (This is a factory sized assembly and may or may not include Ref. No. 9 shim washer. If Ref. No. 9 shim washer is included, it must be used in this location. All old shim washers must be discarded.)	
14	788063	"O" Ring	
15	788064	Seal, Oil	
16	788065	Seal, Oil	
17	780136	Shim, Cap retainer	
18	792037	Screw, Hex Hd Sems, 5/16-18 x 1	
19	780137	Ring, Load	
20	792111	Plug	
22	792113	Ring, Retaining	
23	792110	Jam Nut, 3/4-16	
24	792114	Key, Woodruff	
25	792115	Washer, Flat	
26	792116	Plug, Pipe, 1/4-18	
27	792117	Reducer, Pipe (1/4-18 to 1/8-27)	
28	792039	Plug, Pipe	
29	792118	Valve, Relief	