
Bolens[®]

**Tractor
19 & 20 HP**

Model 5019H (1900)

Serial Number
0100101 thru
0199999

Model 5020 (2000)

Serial Number
0100101 thru
0199999

Parts List

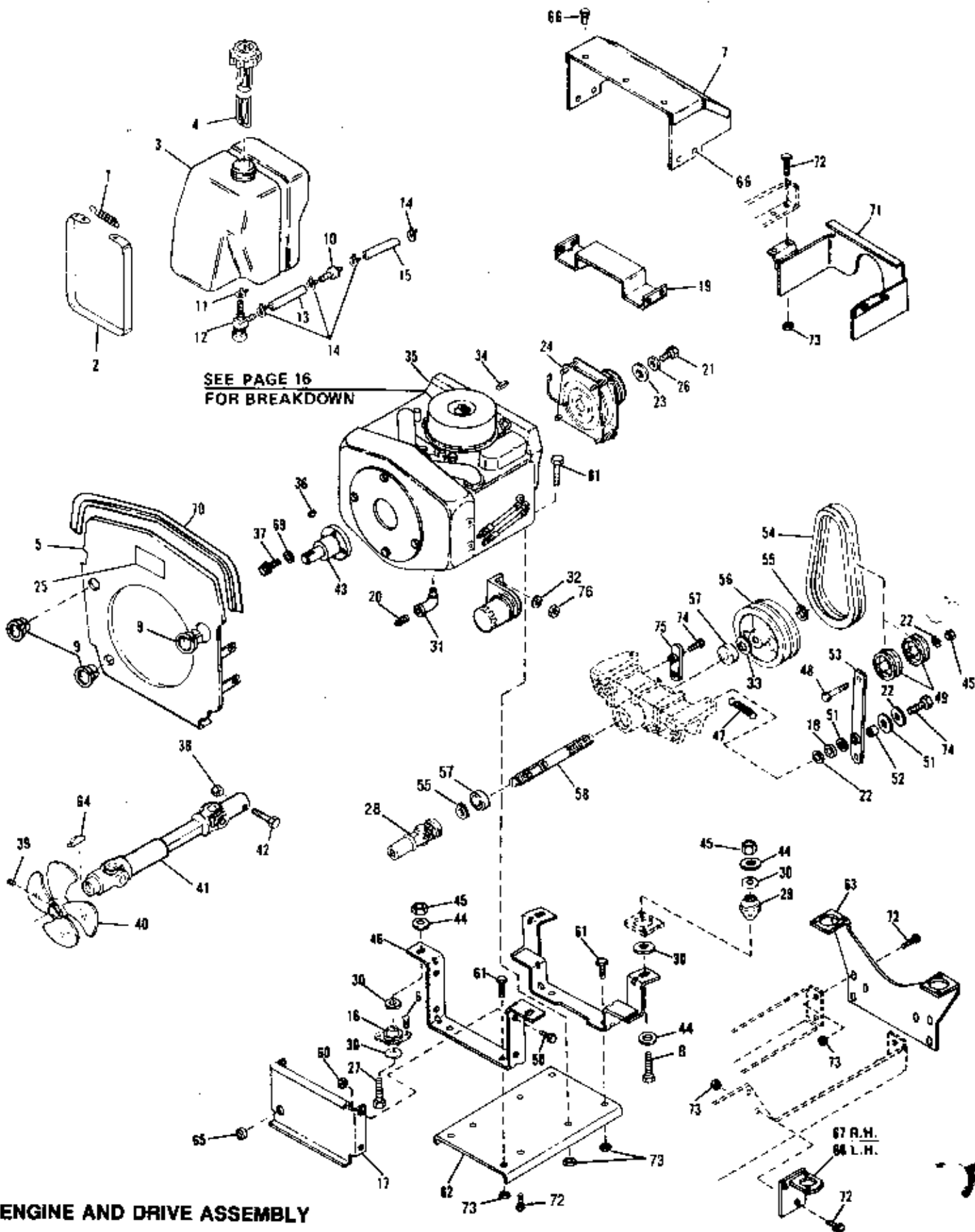
MODELS 5019H & 5020H

REF. NO.	PART NO.	DESCRIPTION	NO. REQ'D
1	1748757	Seat	1
2	1734115	Seat Support	1
3 •	1107383	Flat Washer, 3/8	4
4	1734269	Adjusting Knob	2
5	1733960	Spring	1
6	1735125	Nut & Washer	1
7 •	1186229	Nut 1/4-20	1
8 •	1100241	Flat Washer 1/4	1
9	1734515	Actuator Bracket	1
10 •	1110107	Locknut 5/16-18	4
11	1185418	Flat Washer	2
12	1750290	Instruction Decal	1
13 •	1100362	Cotter Pin 3/32 x 1/2	1
15	1735265	Swivel Block	2
17 •	1186067	Carriage Bolt, 1/4-20 x 1/2	1
18 •	1186130	Carriage Bolt, 3/8-16 x 1-1/4	1
19	1748574	Fender Assembly	1
20	1746403	Foot Rest, R.H.	1
23	1749566	Hood & Grille	1
24	1748707	Grille Decal	1
25 •	1186332	Fl. Hd Screw 5/16-18 x 1-1/4	2
26 •	1186391	Flange Locknut 5/16-18	6
27	1736341	Pivot Rod	1
32 •	1186329	Flange Lock Screw 5/16-18 x 3/4	2
33	1748709	L.H. Identification Decal	1
34	1748708	R.H. Identification Decal	1
35 •	1107382	Flat Washer, 5/16	8
36	1739112	Grille Screen	1
37	1736399	Flange Lock Nut	4
38 •	1100799	Hex Hd. Screw 5/16-18 x 1-1/2	4

REF. NO.	PART NO.	DESCRIPTION	NO. REQ'D
41 •	1186393	Flange Locknut 3/8-16	4
43 •	1186345	Flange Lock Screw 3/8-16 x 3/4	4
44	1736340	Pivot	4
45	1728072	Push Nut	1
46	1748965	Fender Decal L.H. (5019)	1
	1750902	Fender Decal L.H. (5020)	1
47	1728772	Pop Rivet 3/16 x 1/2	2
48	1727126	Clip	2
49	1727127	Latch	2
52	1748716	Instruction Decal	1
53	1748966	Fender Decal R.H. (5019)	1
	1750903	Fender Decal R.H. (5020)	1
54	1746139	Foot Rest Pad	2
55	1746402	Foot Rest L.H.	1
56	1725615	Reflector	2
57	1726932	Trim	1
58	1749020	Instr. Panel Decal (5019)	1
	1750901	Instr. Panel Decal (5020)	1
59	1748081	Lenze	1
60	1748572	Self Thd. Screw 10-16 x 1/2 ...	2
61	1748080	Housing	1
62	1736270	Decal - 2 Speed	1
63	1736271	Handle Grip	1
64	1747057	Shift Lever	1
65	1721487	Grommet	1
66	1735132	Grip Ring	1
NI	1735223	Spray Paint (White)	
NI	1736796	Spray Paint (Dark Green)	

• Common Hardware Purchase Locally (Grade 5 where applicable)

BOLENS 19 & 20 HP TRACTORS



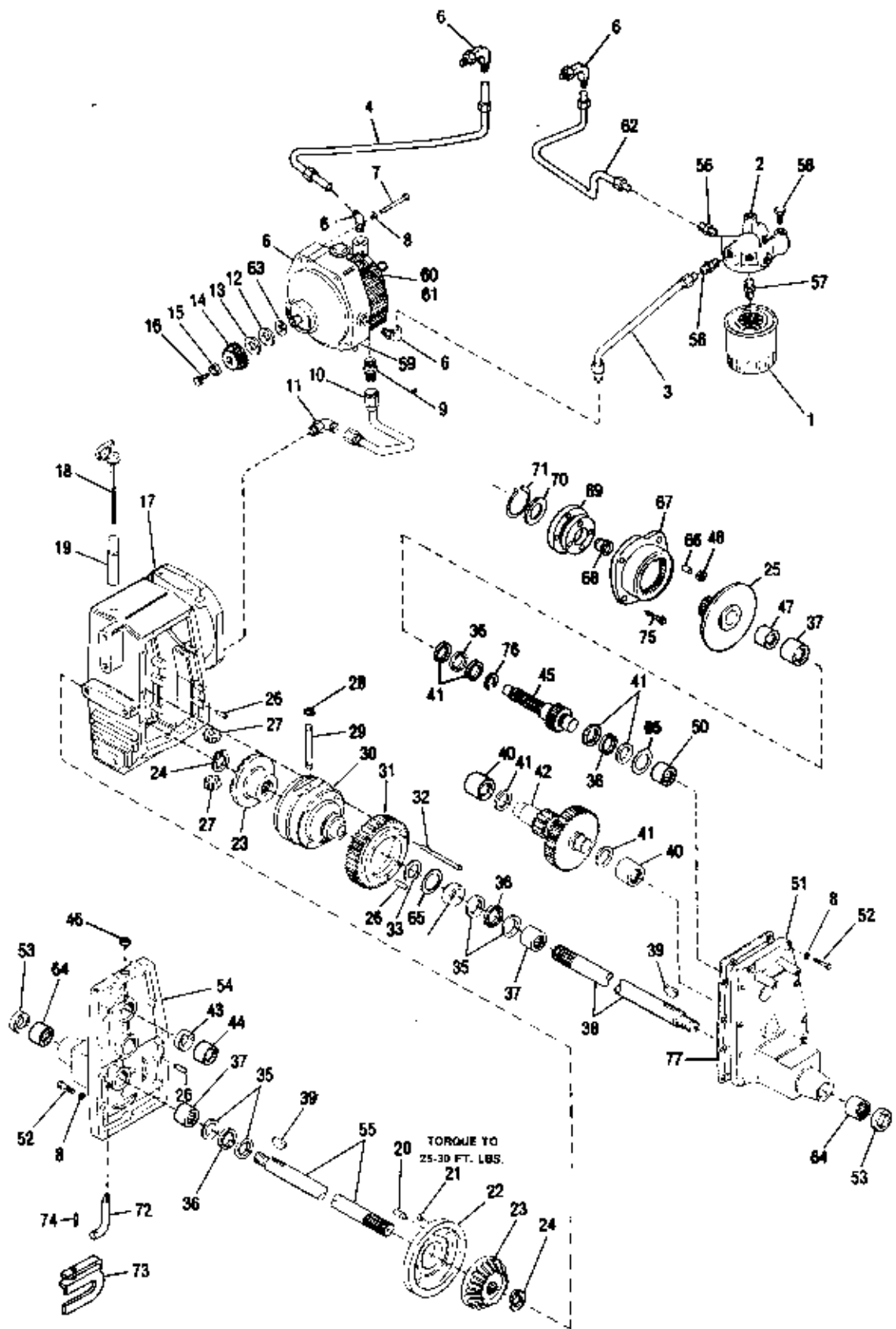
ENGINE AND DRIVE ASSEMBLY

MODELS 5019H & 5020H

REF. NO.	PART NO.	DESCRIPTION	NO. REQ'D	REF. NO.	PART NO.	DESCRIPTION	NO. REQ'D
1	1806648	Spring	1	39	1737419	Set Screw, 5/16-18 x 3/4	2
2	1727918	Strap	1	40	1746503	Fan	1
3	1749484	Fuel Tank (Incl. Ref. No. 4)	1	41	1745927	Drive Shaft	1
4	1748758	Fuel Tank Cap	1	42 •	1100807	Cap screw, 1/4-20 x 2	1
5	1748831	Shield Ass'y - Heat (5019)	1	43	1736100	Drive Shaft Extension	1
	1750844	Shield Ass'y - Heat (5020)	1	44	1701055	Flat Washer 3/8	6
6	1185712	Screw Thd. Cutting No. 10-24 x 1/2	8	45 •	1733398	Hex Locknut, 3/8-16	5
7	1744409	Shield Ass'y - Heat	1	46	1745911	Rear Mount Support (5019)	1
8 •	1110644	Hex Hd. Screw 3/8-16 x 3-1/4	2		1750828	Rear Mount Support (5020)	1
9	1729587	Snap Bushing	3	47	1724822	Extension Spring	1
10	1727491	Fuel Line Filter	1	48 •	1100662	Hex Screw, 3/8-16 x 2-1/2	1
11	1723474	Hose Clamp	1	49	1727978	Idler Pulley	2
12	1718029	Shut Off Valve	1	50	1186310	Flange Screw 1/4-20 x 3/4	4
13	1724942	Fuel Line	1	51	1725089	Nylon Washer	2
14	1750687	Hose Clamp	4	52	1733359	Spacer	1
15	1734941	Fuel Line	1	53	1744449	Idler Arm Assembly	1
16	1725856	Rear Mount	2	54	1742628	PTO Belt (Matched Set of 2)	1
17	1746357	Grass Shield	1	55	1185689	Snap Ring	2
18	1709224	Flat Washer	AR	56	1744379	PTO Sheave	1
19	1736348	Shield Ass'y - Heat	1	57	1725087	Ball Double Seal Bearing	2
20	1105678	Plug, Sq. Hd. Pipe (Drain)	1	58	1742634	PTO Shaft	1
21	1736485	Cap screw, 7/16-20 x 1-1/4	1	59	1745908	Front Mount Support	1
22	1713233	Washer	2	60 •	1186389	Flange Nut 1/4-20	4
23	1741801	Washer	1	61 •	1186347	Flange Screw 3/8-16 x 1	8
24	1747059	Clutch Ass'y	1	62	1744408	Engine Mount	1
25	1736298	Decal (Hot Surface) (5019)	1	63	1745907	Engine Support	1
26 •	1100244	Lockwasher, 7/16	1	64	1185885	Woodruff Key, 3/16 x 5/8	1
27 •	1100049	Hex Screw 3/8-16 x 2-1/4	2	65	1746411	Bushing	1
28	1724836	Universal Joint Assembly	1	66 •	1186308	Flange Lock Cap screw, 1/4-20 x 1/2	11
29	1738010	Front Mount	2	67	1745912	Hanger Ass'y R.H. (5019)	1
30	1186047	Flat Washer 3/8 x 1-3/8	AR		1751050	Hanger Ass'y R.H. (5020)	1
31	1743683	Elbow	1	68	1745914	Hanger Ass'y L.H. (5019)	1
32 •	1100242	Lockwasher, 5/16 (5020)	2		1750834	Hanger Ass'y L.H. (5020)	1
33	1703073	Flat Washer	AR	69 •	1100243	Lock Washer 3/8	4
34	1708034	Key, 1/4 x 1/4 x 1/2	1	70	1740344	Heat Shield Gasket	1
35	*	Kohler Engine, 19 HP (Model KT19QS-49226)	1	71	1749712	PTO Guard Assembly	1
	*	Kohler Engine, 20HP (Model M20QS)	1	72 •	1186345	Flange Hd. Screw 3/8-16 x 3/4	12
36	1100276	Woodruff Key, 1/4 x 7/8	1	73 •	1186393	Flange Hd. Nut 3/8-16	20
37 •	1100046	Cap Screw, 3/8-16 x 1	4	74 •	1188331	Hex Hd. Screw 5/16-18 x 1	2
38 •	1734398	Locknut, 1/4-20	1	75	1744451	Anchor Spring	1
				76	1732499	Nut, Lock - 5/16-18 (5020)	2

*Common Hardware - Purchase Locally (Grade A where applicable)
 *Order Parts From Your Authorized Kohler Engine Dealer

BOLENS 19 & 20 HP TRACTORS



MODELS 5019H & 5020H

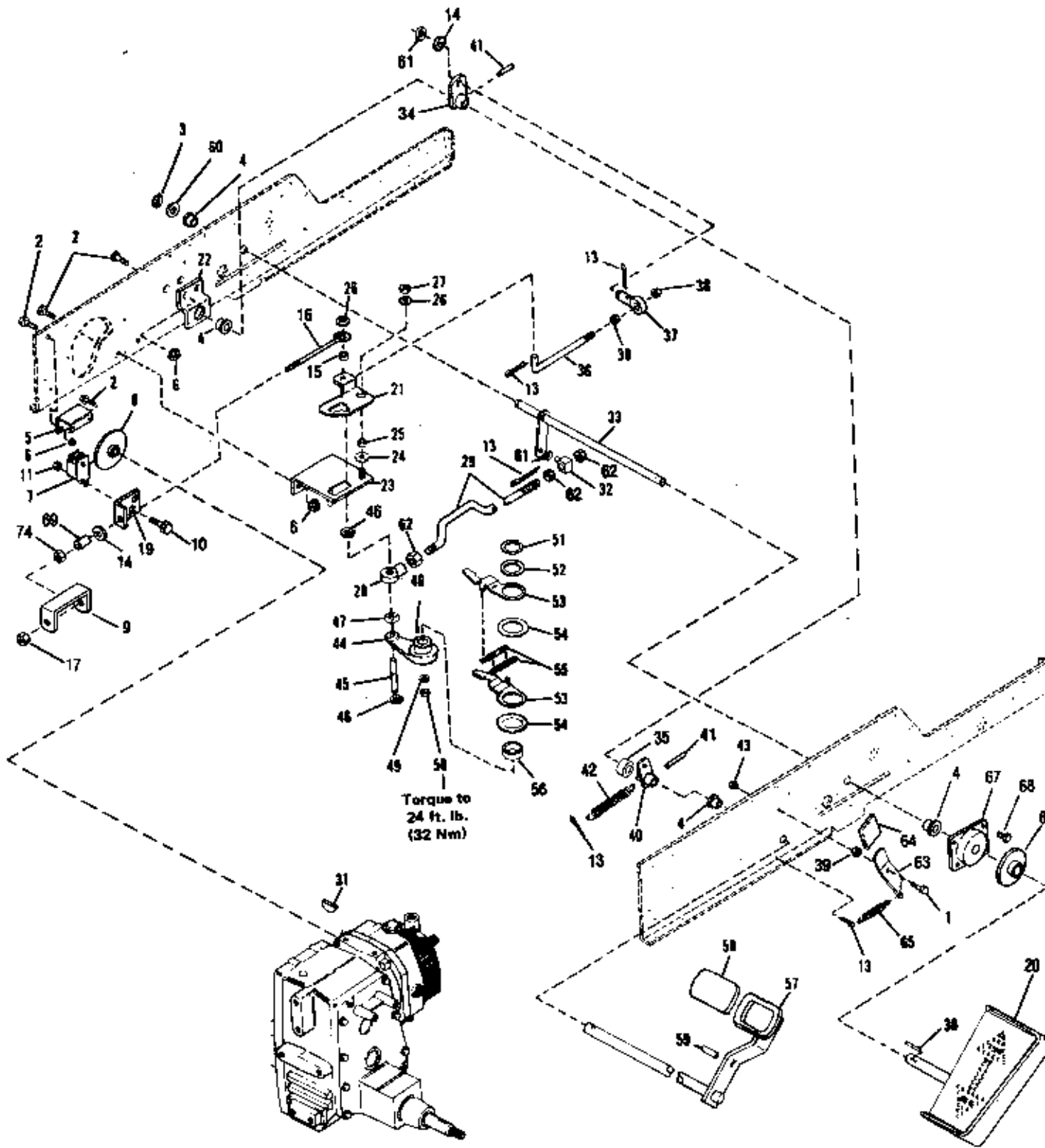
REF. NO.	PART NO.	DESCRIPTION	NO REQ'D.	REF. NO.	PART NO.	DESCRIPTION	NO. REQ'D.
1	1726450	Filter	1	40	1186010	Bearing, Needle	2
2	1750140	Manifold, Filter	1	41	1186002	Race, Thrust	6
3	1744406	Tube Assembly, Return	1	42	1747065	Gear Assembly, Cluster	1
4	1749016	Tube Assembly, Pump to Valve	1	43	1185286	Seal, Oil	1
5	1745147	Eaton Trans. Model 11 (See Page 20 for breakdown)	1	44	1185280	Bearing, Needle	1
6	1185737	Elbow 90°	4	45	1747068	Pinion Shaft	1
7	1100770	Screw, Hex Hd. Cap 3/8-16 x 2-3/4	4	46	1729555	Oil Seal	1
8	1100243	Washer, Lock 3/8	21	47	1725907	Bearing	1
9	1186464	Connector	1	48	1725945	Planet Gear	4
10	1729264	Tube Assembly, Suction	1	49	1185764	Bearing, Thrust	4
11	1724390	Elbow 90°	1	50	1185774	Bearing, Needle	1
12	1730374	Washer, Shim (.005)	AR	51	1747063	Cover, Transaxle R.H.	1
13	1730375	Washer, Shim (.015)	AR	52	1100047	Screw, Hex Hd. Cap 3/8-16 x 1-1/2	17
14	1729531	Gear, Bevel Pinion 18T	1	53	1185301	Oil Seal	2
15	1729559	Spacer	1	54	1747073	Cover, Transaxle L.H.	1
16	1741832	Screw, Hex Hd. Cap 1/4-20 x 5/8	1	55	1747091	Axle, L.H.	1
17	1747086	Housing, Transaxle	1	56	1721989	Connector	2
18	1724092	Dipstick	1	57	1721921	Coupling	2
19	1724090	Tube	1	58	1186345	Flange Lock Screw 3/8-16 x 3/4	2
20	1733103	Pin, Dowel 5/16	2	59	1724370	Control Shaft Seal	1
21	1186459	Nut, Hex Lock 5/16-18 Grade 8	4	60	1724376	Input Shaft Seal	1
22	1728645	Cover, Differential	1	61	1724377	Grass Shield	1
23	1724074	Gear, Bevel 22T (A)	2	62	1749015	Tube Ass'y., Filter to Valve	1
	1752093	Gear, Bevel 22T (B)	2	63	1705093	Shim (.028)	AR
24	1185732	Ring, Retaining	2	64	1187206	Needle Bearing	2
25	1727735	Bevel Gear, 56T, 24T and 23T	1	65	1718781	Shim (.005)	AR
26	1110189	Pin, Dowel 3/8	6	66	1726082	Pin	4
27	1713486	Pinion (A)	2	67	1744305	Internal Ring Gear	1
	1752095	Pinion (B)	2	68	1725909	Sliding Gear	1
28	1118808	Ring, Retaining	2	69	1725942	Planet Carrier	1
29	1727641	Shaft, Pinion	1	70	1726050	Thrust Washer	1
30	1747087	Carrier, Differential	1	71	1186461	Retaining Ring	1
31	1729260	Gear, Axle 47T	1	72	1728850	Shifter Shaft	1
32	1733684	Screw, Flange 5/16-18 x 4.00	4	73	1725912	Shifter Plate	1
33	1719271	Shim (.020)	AR	74	1185389	Drive Pin	1
34	1747089	Spacer, Tubular	1	75	1730012	Screw, Counter Box 5/16-18 x 1	4
35	1185767	Race, Thrust	4	76	1726051	Positioning Ring	4
36	1185764	Bearing, Thrust	2	77	1724086	Gasket, Cover R.H.	1
37	1185721	Bearing, Needle	3	N1	1728407	Sealant	AR
38	1747092	Axle, R.H.	1				
39	1100281	Key, Woodruff	2				

• Common Hardware-Purchase Locally (Grade 5 where applicable)

MODEL 5020

(A) Serial Number 0100101 thru 0100652
 (B) Serial Number 0100653 and later

BOLENS 19 & 20 HP TRACTORS



BRAKE AND HYDRO CONTROL ASSEMBLIES

MODELS 5019H & 5020H

REF. NO.	PART NO.	DESCRIPTION	NO. REQ'D.	REF. NO.	PART NO.	DESCRIPTION	NO. REQ'D.
1	• 1186347	Screw, Hex Hd. Flange Lock 3/8-16 x 1	1	32	1734827	Swivel	1
2	• 1186345	Screw, Hex Hd. Flange Lock 3/8-16 x 3/4	8	33	1746134	Shaft Assembly, Speed Control	1
3	1118808	Ring, Retainer	1	34	1747508	Arm Assembly	1
4	1185802	Bearing, Flanged	4	35	1722957	Spacer	1
5	1747060	Bracket, Transmission Support	1	36	1747513	Rod, Brake Control	1
6	• 1186393	Nut, Hex Flange Lock 3/8-16	4	37	1747507	Block, Pivot	1
7	1732361	Brake Ass'y, Mechanical	1	38	• 1186259	Nut, Hex 3/8-16	2
8	1747055	Disc Assembly, Brake	1	39	• 1188247	Hex Nut 1/2-20	1
9	1748372	Brake Return	1	40	1748584	Arm Assembly, Brake	1
10	• 1100805	Screw, Hex Hd. Cap 1/4-20 x 3/4	2	41	1732147	Pin, Drive Lock	2
11	• 1186389	Nut, Hex Flange Lock 1/4-20	2	42	1720612	Spring, Extension	1
12	1186230	Hex Nut 5/16-18	1	43	• 1733398	Locknut 3/8-16	1
13	• 1100346	Pin, Cotter 3/32 x 3/4	5	44	1722151	Arm, Speed Control	1
14	• 1107382	Washer, Flat 5/16	1	45	1734563	Pin, Control	1
15	1747497	Spacer	1	46	1118802	Ring, Retaining	2
16	1747495	Brake Rod	1	47	1720699	Block, Cushion	1
17	• 1110107	Lock Nut 5/16-18	1	48	1104435	Key Woodruff	1
18	1747494	Sleeve	1	49	• 1107385	Washer, Flat - 1/2	1
19	1747496	Ext. Brake Arm	1	50	• 1110120	Lock Nut 1/2-13	1
20	1729147	Foot Pedal	1	51	1185732	Ring, Retaining	1
21	1729213	Plate, Neutral	1	52	1720529	Washer, Thrust	1
22	1737019	Bracket, Brake Shaft	1	53	1720523	Arm, Neutralizer	2
23	1729445	Support Assembly, Neutral Plate	1	54	1720361	Washer, Thrust	2
24	1703052	Washer, Flat	1	55	1720928	Spring, Extension	2
25	1732369	Spacer, Tubular	1	56	1720706	Bearing	1
26	• 1107383	Washer, Flat 3/8	2	57	1748136	Pedal Assembly, Brake	1
27	• 1110108	Nut, Hex Lock - 3/8	1	58	1725518	Pad, Pedal	1
28	1721612	Rod End	1	59	1120209	Pin, Roll 3/16 x 3/4	1
29	1747514	Rod, Speed Control	1	60	1715301	Thrust Washer	AR
30	1185232	Pin, Roll 3/16 x 1-1/4	1	61	1705108	Washer	2
31	1104436	Woodruff Key 3/16 x 7/8	1	62	1186246	Nut, Hex - 7/16-20	3
				63	1726352	Lock, Brake	1
				64	1728696	Grip	1
				65	1728640	Spring, Extension	1
				66	1738447	Speed Control Disc	1
				67	1738482	Clutch	1
				68	1738463	Thd. Form Screw	4

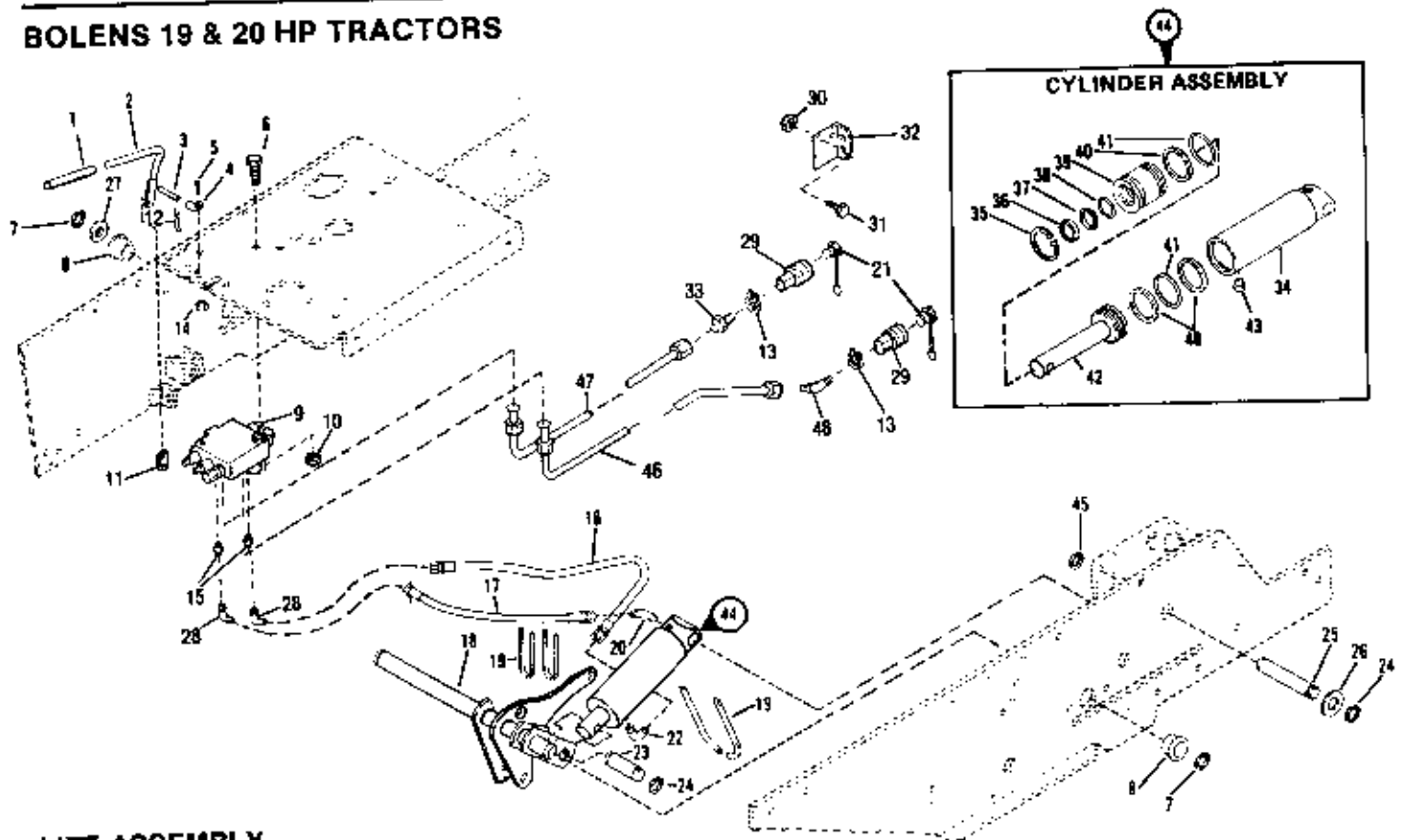
•Common Hardware - Purchase Locally (Grade 5 where applicable)

MODELS 5019H & 5020H

REF. NO.	PART NO.	DESCRIPTION	NO. REQ'D	REF. NO.	PART NO.	DESCRIPTION	NO. REQ'D
1	1738439	Wheel, Steering (5019)	1	36	1733442	Washer, Shim	AR
	1736980	Wheel, Steering (5020)	1	37	1740096	Gear, Steering	1
2	1744350	Bolster (5019)	1	38	1185649	Ring, Retaining	1
	1751470	Bolster (5020)	1	39	1736464	Throttle Control	1
3	1708012	Washer, Flat	AR	40	1713361	Joint, Ball	4
4	1723994	Bearing, Steering	1	41	1738490	Spacer	1
5	1749636	Frame Assembly, L.H.	1	42 *	1110152	Nut, Hex Lock - 1/2-20	1
6	1744346	Front Axle	1	43	1744373	Rod, Steering	1
7 *	1186345	Screw, Hex Hd. Flange Lock 3/8-16 x 3/4	30	44 *	1186247	Hex Nut, 1/2-20	2
8 *	1186393	Nut, Flange Lock - 3/8-16	22	45	1744369	Arm Assembly, Steering	1
9	1715491	Thrust Washer	2	46	1186033	Flat Washer 5/16	2
10	1747807	Support, Seat	1	47 *	1186329	Flange Screw 5/16-18 x 3/4	2
11	1186258	Jam Nut 5/16-18	2	48	1186034	Woodruff Key 1/4 x 7/8	1
12	1748651	Panel Assembly, Instrument	1	49	1744364	Spindle Ass'y L.H. Wheel	1
13	1749583	Washer (5019)	1	50	1751219	Weld Pin	2
14	1185712	Thd. Cut Screw 10-24 x 1/2 (5019)	2	51	1104222	Cotter Pin 3/16 x 1-1/2	2
15 *	1110108	Nut, Lock - 3/8-16	1	52	1746138	Rod, Tie	1
16	1749012	Support Assembly, Battery & Gas Tank (5019)	1	53 *	1186247	Nut, Hex - 1/2-20	2
	1749657	Support Assembly, Battery & Gas Tank (5020)	1	54	1187181	Flange Bearing	4
17	1748589	Frame Assembly, R.H.	1	55	1177395	O-Ring	2
18	1730692	Doubler, Rear	2	56	1706873	Thrust Washer	2
19 *	1115815	Machine Screw No. 10-24 x 5/8	4	57	1744367	Spindle Ass'y R.H. Wheel	1
20	1724698	Draw Bar	2	58	1746832	Steering Cap	1
21 *	1100055	Screw, Hex Hd. 1/2-13 x 1- 1/4	2	59	1185815	Thrust Washer	2
22 *	1100245	Washer, Lock - 12	2	60	1185729	Thrust Race	2
23	1727898	"U" Bolt	2	61	1744372	Wheel Assembly	2
24	1747088	Hub, Wheel	2	62	1732927	Tire, 16 x 6.50-8	2
25	1708599	Spacer	2	63	1744375	Bearing, Ball	4
26 *	1120390	Nut, Hex - 3/4-10	2	64	1735572	Frame Support	1
27	1724718	Wheel Assembly	2	65	1744396	Cap, Dust	2
28	1718086	Valve	4	66	1185985	Keps Nut No. 10-24	4
29	1732926	Tire, 23 x 10.50 x 12	2	67	1736465	Choke Control	1
30	0101085	Bolt, Hub	10	68	1742627	Steering Shaft Assembly	1
31	1731782	Arm Ass'y, Steering (5019)	1	69	1738413	Roll Pin	1
	1749895	Arm Ass'y, Steering (5020)	1	70	1736159	Bevel Pinion Gear	1
32	1733707	Spacer, Tubular	1	71	1727686	Thrust Race	2
33	1185846	Bushing, Flange	1	72	1724527	Knob	2
34	1740753	Bracket, Steering Support	1	73	1749013	Tank Clamp (5019)	1
35	1185976	Fitting, Grease Thd. Form- ing	4	74	1746622	Cover	1
				75	1104436	Woodruff Key 3/16 x 3/4	1
				76 *	1107383	Flat Washer, 3/8	1
				77 *	1186347	Flange Screw 3/8-16 x 1	16
				78	1744374	Tube Pivot	1
				79	1733103	Roll Pin 5/16 x 3/4	1
				80 *	1100045	Hex Hd. Screw 5/16-18 x 1	2
				81 *	1746382	Steering Cap (5020)	1

* Common Hardware Purchase Locally (Grade 5 where applicable)

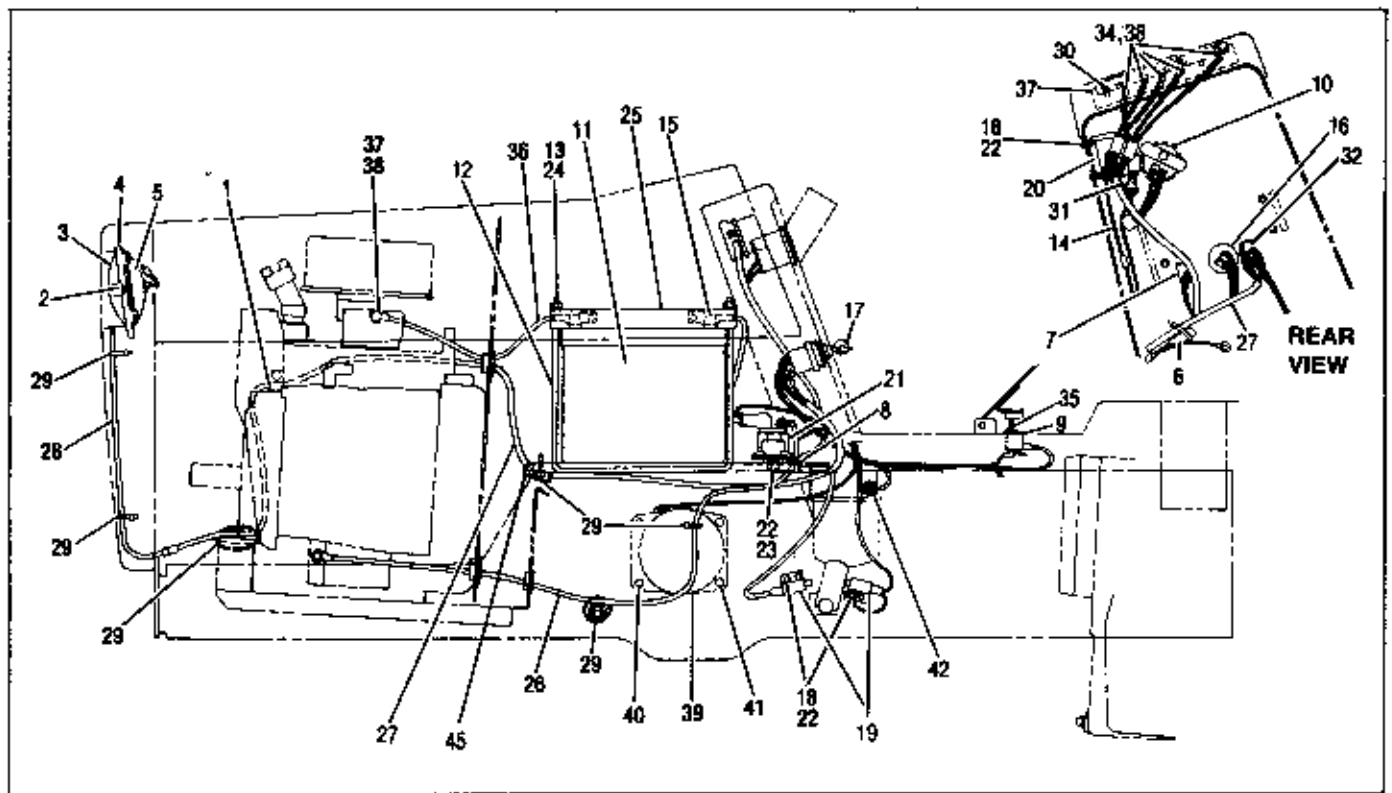
BOLENS 19 & 20 HP TRACTORS



LIFT ASSEMBLY

REF. NO.	PART NO.	DESCRIPTION	NO. REQ'D.	REF. NO.	PART NO.	DESCRIPTION	NO. REQ'D.
1	1716470	Grip	1	25	1724703	Pin, Cyl. Anchor	1
2	1749014	Lever, Lift	2	26	1708012	Washer, Flat 3/4	1
3	1724741	Pin	1	27	1185818	Washer	AR
4	1732471	Clamp	3	28	1185902	Elbow 45°	2
5	1115815	Screw, Phil. Hd. No. 10-24 x 5/8	3	29	1717627	Body Coupling	2
6	1186318	Screw, Hex Hd. Flange Lock 1/4-20	2	30	1186393	Flange Nut, 3/8-16	2
7	1118554	Ring, Retaining	2	31	1186345	Flange Screw, 3/8-16 x 3/4	2
8	1185728	Bushing	2	32	1747803	Coupling Bracket	1
9	1748816	Valve	1	33	1721989	Connector	1
	1742239	Repair Kit, Oil Seals	1	34	1729388	Tube Assembly, Hydraulic Cylinder	1
10	1186389	Nut, Hex Flange Lock 1/4-20	2	35	1118735	Ring, Internal Retaining	1
11	1185018	Connector Link	2	36	1185266	Seal, Oil	1
12	1100362	Cotter Pin	3	37	1186019	Ring, Back Up	1
13	1180025	Retaining Ring	2	38	1177395	O-Ring	1
14	1185985	Locknut No. 10-24	3	39	1724511	Head, Cylinder	1
15	1717563	Connector	2	40	1186018	Ring, Back Up	3
16	1733692	Assembly, Hose	1	41	1186017	O-Ring	2
17	1719179	Hose Assembly, Cylinder	1	42	1747043	Rod Assembly Hydraulic Cylinder	1
18	1747510	Shaft Assembly, Lift	1	43	1186278	Plug, Pipe	2
19	1805345	Tie, Cable	4	44	1747509	Cylinder Assembly, Hydraulic (Inc. Ref. No. 34 thru 43)	1
20	1185903	Elbow, 45°	1	45	1113527	Ring, Retaining	2
21	1720733	Dust Cap	2	46	1749017	Tube Assembly	1
22	1185739	Elbow, 90°	1	47	1749018	Tube Assembly	1
23	1747512	Pin, Cyl. Rod	1	48	1185903	Elbow 45°	1
24	1118808	Ring, Retaining	2				

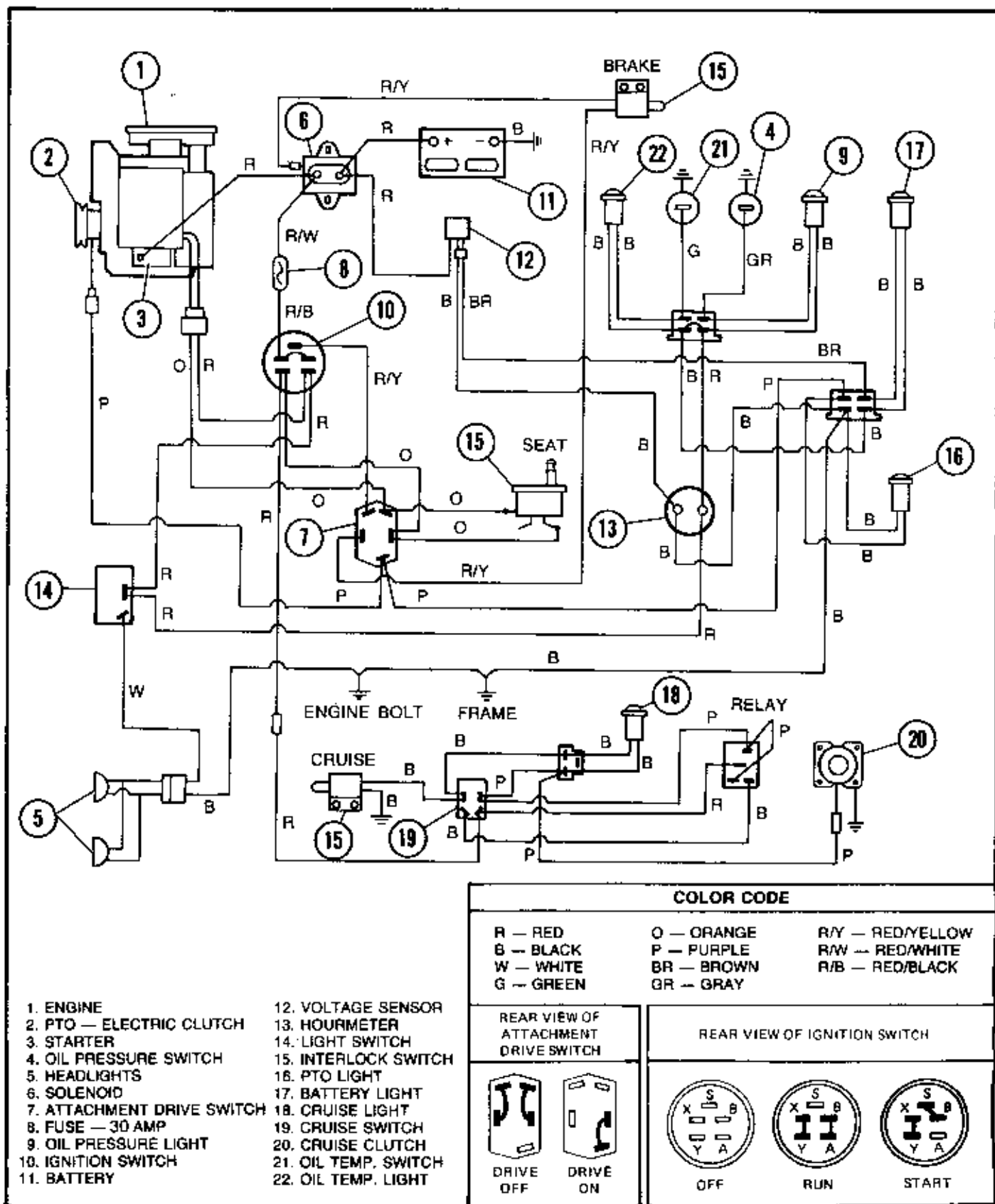
•Common Hardware - Purchase Locally (Grade 5 where applicable)



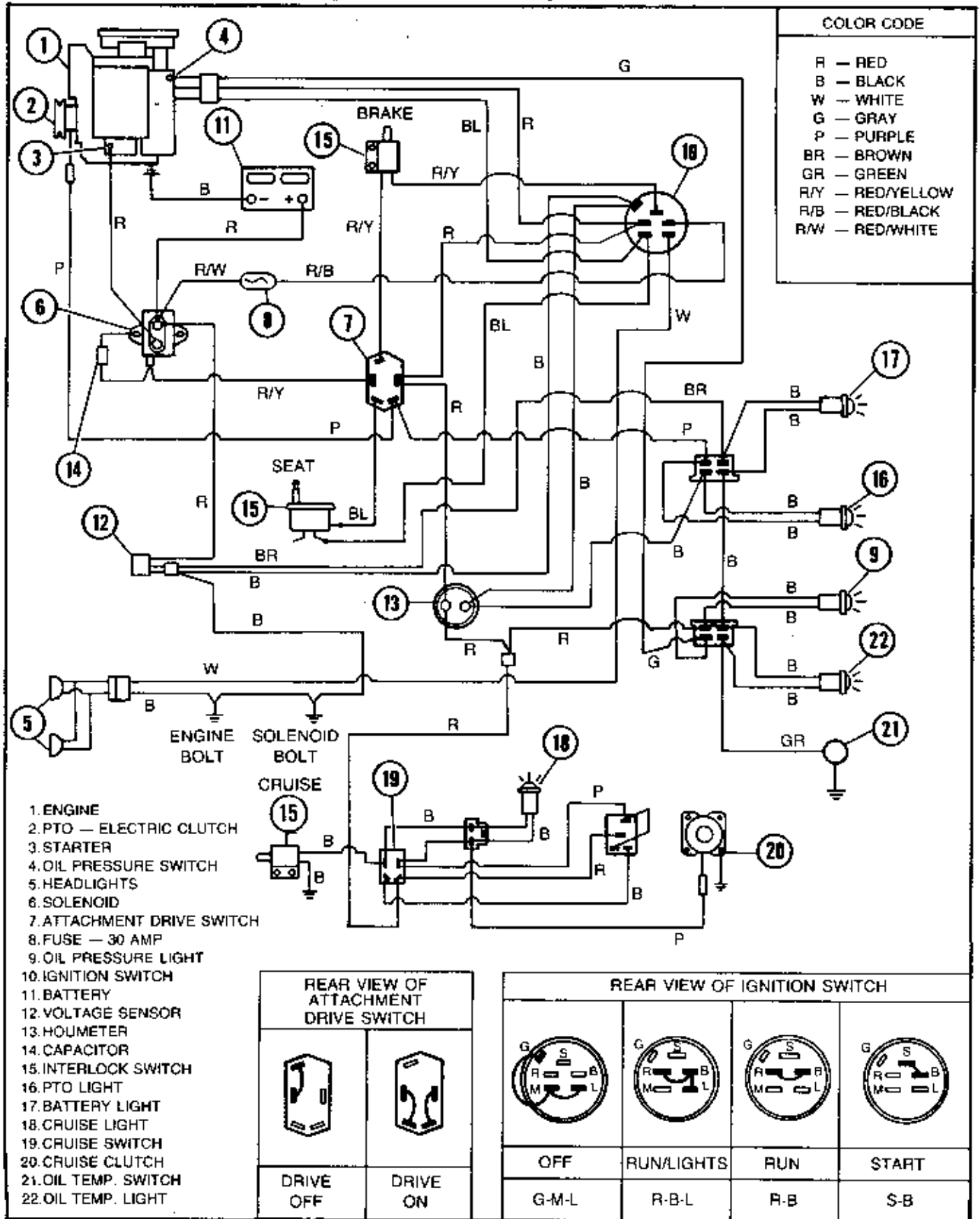
REF. NO.	PART NO.	DESCRIPTION	NO. REQ'D	REF. NO.	PART NO.	DESCRIPTION	NO. REQ'D
1	1721252	J-Clip	1	25	1738631	Battery Hold Down	1
2	1727379	Rivet, Pop 3/16 x 3/8	4	26	1746410	Cable, Starter	1
3	1726435	Headlight	2	27	1748730	Harness Main (5019)	1
4	1806805	Plate, Retainer	2	28	1750845	Harness Main (5020)	1
5	1806808	Retainer	2	29	1727169	Harness Headlight	1
6	1749032	Voltage Sensor	1	29	1805345	Cable, Tie	11
7	1724894	Switch (5019)	1	30	1186020	Thd. Cut Screw 6-32 x 3/8	2
8	1749835	Grommet	1	31	1732374	Switch, Cruise	1
9	1734366	Switch	1	32	1725098	Switch PTO (5019)	1
10	1748719	Hour Meter	1	32	1734356	Switch PTO (5020)	1
11	1751498	Battery, 12 Volt	1	33	1715012	Electrical Nipple	1
12	1740804	Hold Down Rod	1	34	1735285	Bulb (Mfg. No. GE 73)	5
13	1107381	Flat Washer 1/4	2	35	1734472	Switch Seal	1
14	1749492	Cruise Harness Lead	1	36	1725373	Cable, Battery Neg to Engine Mount	1
15	1746199	Cable, Battery Pos.	1	37	1749487	Retaining Strip	1
16	1721409	Switch, Ignition (5019)	1	38	1748085	Lamp Assembly	5
17	1726169	Switch, Ignition (5020)	1	39	1738447	Speed Control Disc	1
18	1718266	Key, Ignition	1	40	1738462	Clutch	1
19	1185985	Lock Nut 10-24	5	41	1738463	Thd. Cut Screw 12-24 x 1/2	4
20	1748723	Switch	2	42	1750139	Sender Temp Switch	1
21	1745666	Relay	1	43	1743516	Fuse - 30A	1
22	1740056	Solenoid	1	44	1742113	Capacitor (5020)	1
23	1115815	Screw, Phil. No. 10-24 x 5/8	8	45	1752408	Plastic (5020)	1
24	1185985	Nut, Leps Lock No. 10-24	2				
24	1734398	Locknut, 1/2-20	2				

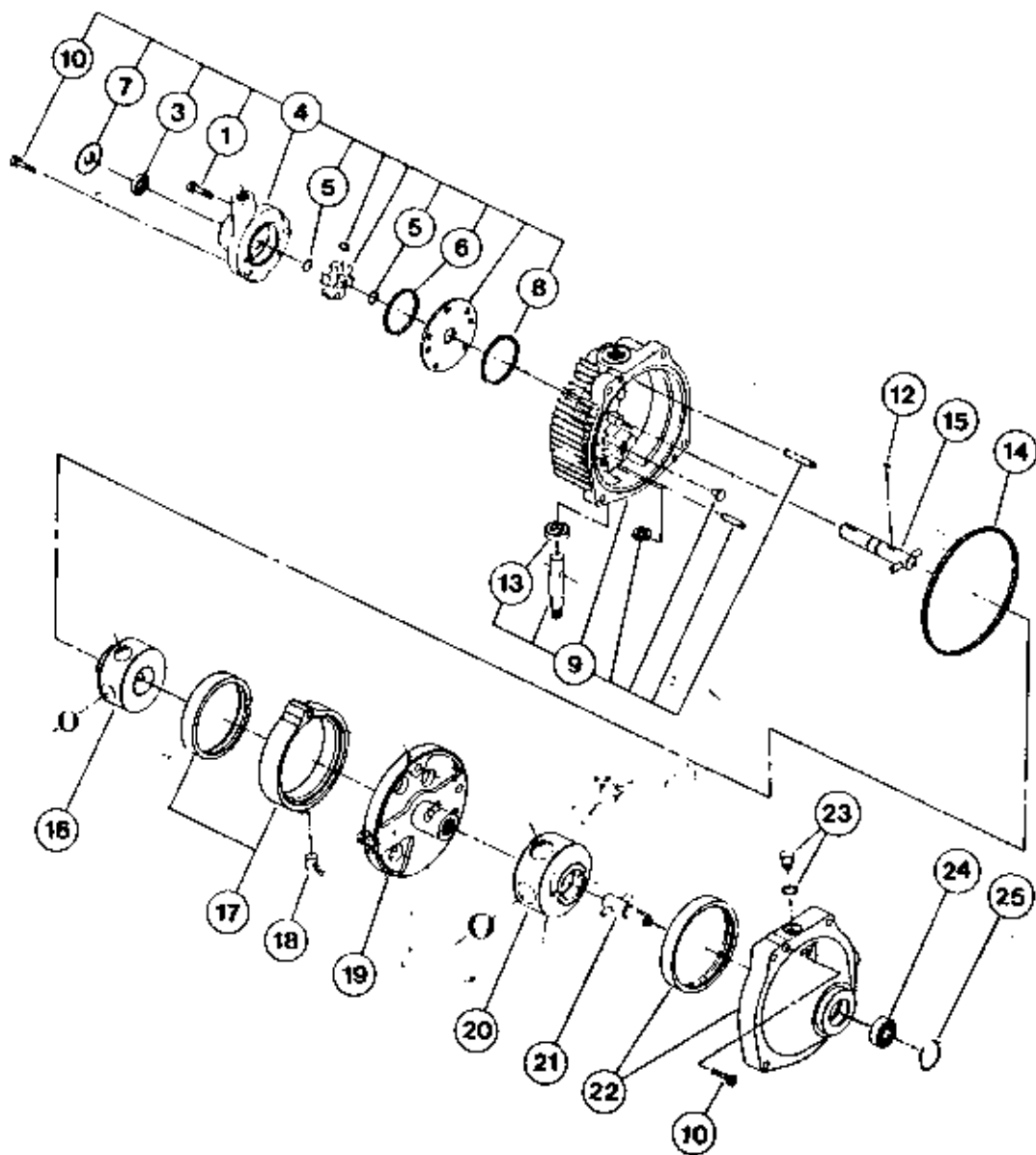
• Common Hardware Purchase Locally (Grade 5 where applicable)

WIRING DIAGRAMS (Model 5019H)



WIRING DIAGRAM (Model 5020H)





REF. NO.	PART NO.	DESCRIPTION	NO. REQ'D
1		Socket Hd. Capscrew 5/16-18 x 1-3/4 (Incl. with Ref. No. 4)	1
3	1724376	Oil Seal (Incl. with Ref. No. 4)	1
4	1744188	Charge Pump Kit (Incl. Ref. Nos. 1, 3, 5, 6, 7, 8, 10 & 12)	1
5	1724375	Snap Ring (Incl. with Ref. No. 4)	1
6	1744155	Sq. Seal Ring (Incl. with Ref. No. 4)	1
7	1724377	Grass Shield (Incl. with Ref. No. 4)	1
8	1744157	Sq. Seal Ring (Incl. with Ref. No. 4)	1
9	1744154	Cover Sub Ass'y (Incl. Ref. No. 13)	1
10 ♦		Socket Hd. Capscrew 5/16-18 x 1-1/4 (Incl. with Ref. No. 4)	1

REF. NO.	PART NO.	DESCRIPTION	NO. REQ'D
12	1744159	Drive Pin (Incl. Ref. No. 4)	1
13	1724376	Oil Seal (Incl. Ref. No. 9)	1
14	1744185	Square Seal Ring	1
15	1744160	Input Shaft Sub Ass'y (Keyed)	1
16	1744164	Pump Rotor & Ball Assembly	1
17	1744184	Cam Ring Assembly	1
18	1744176	Cam Ring Insert	1
19	1744166	Pintle Assembly (Incl. Internal Parts)	1
20	1744177	Motor Rotor & Ball Sub Assembly	1
21	1744010	Output Shaft Sub Ass'y	1
22	1744180	Body Ass'y (Incl. Ref. Nos. 21, 24, 25)	1
23	1744179	O-Ring Plug Sub Ass'y	1
24	1104440	Ball Bearing (Output)	1
25	1724380	Retaining Ring	1

♦Common Hardware - Purchase Locally (Grade 5 where applicable)