

BOLENS 48 INCH SNOWTHROWER ATTACHMENT

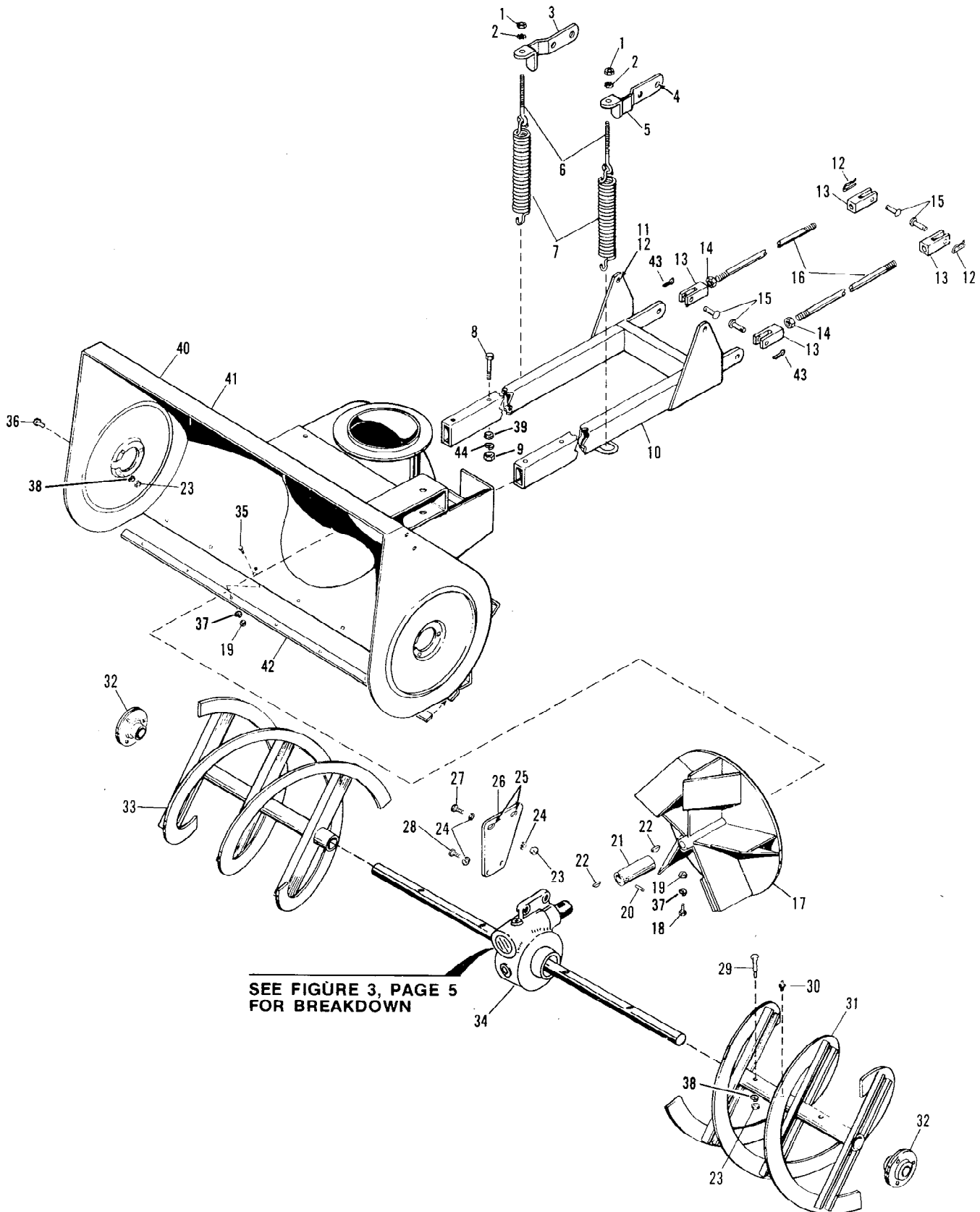


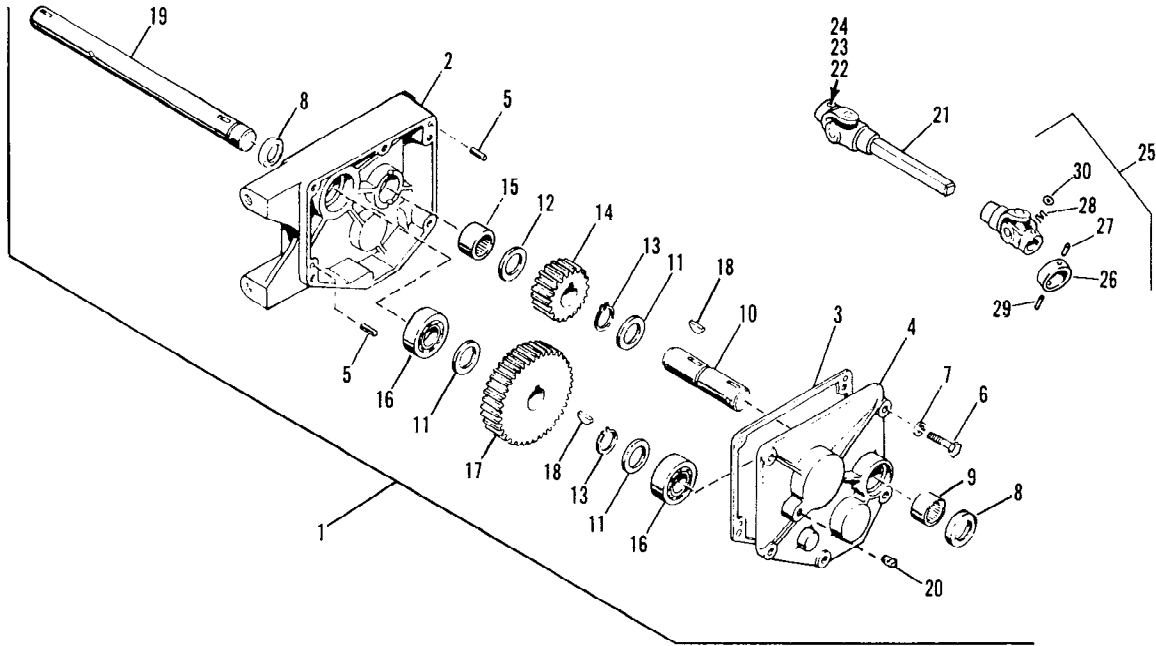
Figure 1 BLOWER HOUSING AND LIFT ASSEMBLIES

REF. NO.	PART NO.	DESCRIPTION	NO. REQ'D.	REF. NO.	PART NO.	DESCRIPTION	NO. REQ'D.
1	• 1186231	Hex Hd. Nut, 3/8-16	2	24	1185715	Lockwasher (Pyramidal), 3/8.	6
2	1103995	External Tooth Lockwasher	2	25	• 1100256	Flatwasher, 3/8.	As Req'd.
3	1725746	R.H. Bracket Assy.	1	26	1725719	Hanger Plate.	1
4	1186347	Whiz-Lock Flange Screw, 3/8-16 x 1	4	27	• 1100047	Hex Hd. Capscrew, 3/8-16 x 1-1/2	2
5	1725747	L.H. Bracket Assy.	1	28	• 1100046	Hex Hd. Capscrew, 3/8-16 x 1	2
6	1725748	Eye Bolt	2	29	1725726	Shear Bolt (1)	4
7	1714844	Extension Spring.	2		1100049	Capscrew (2)(3)	4
8	• 1111622	Hex Hd. Capscrew, 1/2-13 x 3-3/4	4	30	1185803	Grease Fitting.	2
9	• 1734514	Locknut, 1/2-13	4	31	1725225	L.H. Auger Assy.	1
10	1725731	Push Arm Assy.	1	32	1717878	Bearing Adapter	2
11	1709622	Clevis Pin.	2	33	1725226	R.H. Auger Assy.	1
12	1723478	Hitch Pin	6	34	1725220	Complete Gear Case Assy. . .	1
13	1714573	Rod End	4	35	• 1186100	Round Hd. Carriage Bolt, 5/16-18 x 1	7
14	• 1108891	Hex Hd. Jam Nut, 5/8-11 . .	2	36	• 1186127	Round Hd. Carriage Bolt, 3/8-16 x 7/8	6
15	1713553	Clevis Pin.	4	37	• 1100242	Lockwasher, 5/16	8
16	1722631	Push Rod.	2	38	• 1100243	Lockwasher, 3/8	10
17	1725724	Impeller Assy.	1	39	• 1107385	Flat Washer, 1/2	4
18	• 1111606	Hex Hd. Capscrew, 5/16-18 x 2	1	40	1725532	(Logo) Decal (1)	1
19	1732499	Hex Hd. Locknut, 5/16-18 .	8		1727451	Decal (2)(3)	1
20	1185376	Drive Pin, 3/16 x 1-1/2 (Roll Pin) (1)	1	41	1725249	Housing Assy.	1
	1703822	Drive Pin, 1/4 x 1-1/2 (2)(3) .	1	42	1725704	Scraper	1
21	1725727	Collar	1	43	• 1100350	Cotter Pin, 1/8 x 1.	2
22	1100276	Woodruff Key.	2	44	• 1100245	Lockwasher, 1/2	4
23	1733398	Hex Hd. Locknut, 3/8-16 . .	12				

- (1) Serial Numbers 0100101 thru 0199999
- (2) Serial Numbers 0200101 thru 0299999
- (3) Serial Numbers 0300101 and up

• Common Hardware - purchase locally (Grade 5 where applicable)

BOLENS 48 INCH SNOWTHROWER ATTACHMENT

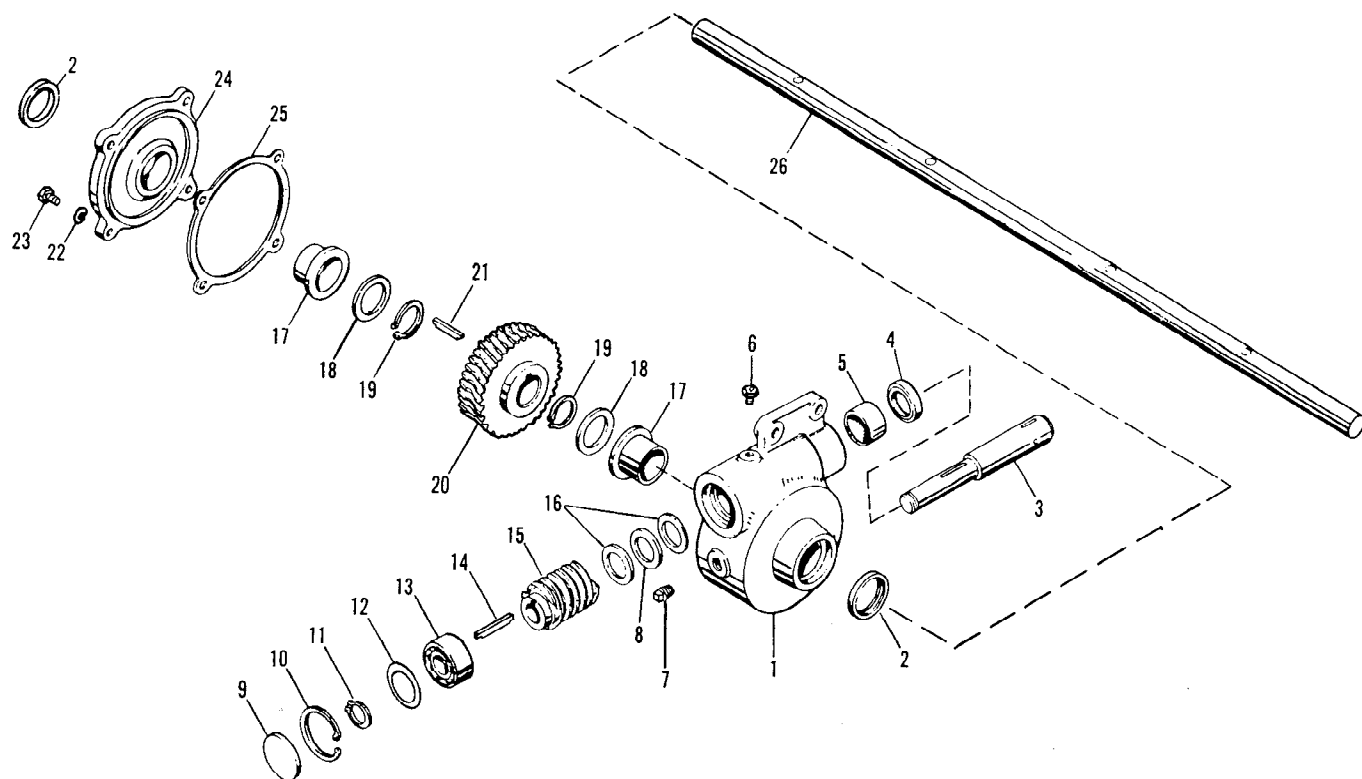


REF. NO.	PART NO.	DESCRIPTION	NO. REQ'D.	REF. NO.	PART NO.	DESCRIPTION	NO. REQ'D.
1	1725209	Complete Gear Case Assy. (Incl. Ref. Nos. 2 thru 20)	1	16	1100749	Ball Bearing	2
2	1725203	Gear Case.	1	17	1725205	Gear	1
3	1725208	Gasket.	1	18	1100276	Woodruff Key.	2
4	1725201	Gear Case Cover	1	19	1725204	Output Shaft	1
5	1100959	Dowel Pin	2	20	1105620	Square Hd. Plug	1
6	• 1100045	Hex Hd. Capscrew, 5/16-18 x 1	6	21	1725244	Drive Shaft Assy.	1
7	• 1100242	Lockwasher, 5/16	6	22	• 1100807	Hex Hd. Capscrew, 1/4-20 x 2	1
8	1186052	Oil Seal	2	23	• 1110106	Hex Hd. Locknut, 1/4-20	2
9	1187181	Needle Bearing	1	24	• 1107381	Flat Washer, 1/4	1
10	1725207	Input Shaft	1	25	1723790	Universal Joint Assy. (Incl. Ref. Nos. 26 thru 30) (1)	1
11	1185730	Thrust Race	3	26	1723781	Lock Collar	1
12	1186434	Thrust Washer.	1	27	1118922	Drive Pin, 3/16 x 1/2	1
13	1185689	External Retaining Ring	2	28	1723782	Spring	1
14	1725206	Pinion Gear	1	29	1187762	Drive Pin, 3/16 x 3/8	1
15	1186051	Closed End Needle Bearing	1	30	1725334	Thrust Washer.	1

- (1) Serial Numbers 0100101 thru 0199999
- (2) Serial Numbers 0200101 thru 0299999
- (3) Serial Numbers 0300101 and up

• Common Hardware - purchase locally (Grade 5 where applicable)

Figure 2 DRIVE GEAR CASE ASSEMBLY
4



REF. NO.	PART NO.	DESCRIPTION	NO. REQ'D.
1	1725213	Worm Gear Case	1
2	1185777	Oil Seal	2
3	1725214	Worm Shaft	1
4	1186052	Oil Seal	1
5	1187181	Needle Bearing	1
6	1721442	Pressure Relief Valve	1
7	1105620	Square Hd. Plug, 1/4-28 NPT	1
8	1185729	Thrust Bearing	1
9	1711380	Expansion Plug	1
10	1118730	Internal Retaining Ring	1
11	1185649	External Retaining Ring	1
12	1185432	Shim, .060	As Req'd.
	1709224	Shim, .030	As Req'd.
	1728833	Shim, .010	As Req'd.
	1728832	Shim, .005	As Req'd.
13	1724813	Ball Bearing	1

REF. NO.	PART NO.	DESCRIPTION	NO. REQ'D.
14	1186064	Hi Pro Key	1
15	1725215	L.H. 4 Thread Worm	1
16	1185730	Thrust Race	2
17	1725217	Flange Bearing	2
18	1720529	Thrust Race	2
19	1118816	External Retaining Ring	1
20	1725216	37 Tooth Worm Gear	1
21	1186063	Hi Pro Key	1
22	• 1100242	Lockwasher, 5/16	4
23	• 1100044	Hex Hd. Capscrew, 5/16-18 x 3/4.	4
24	1725211	Gear Case Cover	1
25	1725219	Gasket.	1
26	1725218	Auger Shaft	1
	1725220	Complete Gear Case Assy. (Incl. Ref. Nos. 1 thru 26)	

- (1) Serial Numbers 0100101 thru 0199999
- (2) Serial Numbers 0200101 thru 0299999
- (3) Serial Numbers 0300101 and up

• Common Hardware - Purchase Locally (Grade 5 where applicable).

Figure 3 AUGER GEAR CASE ASSEMBLY

BOLENS 48 INCH SNOWTHROWER ATTACHMENT

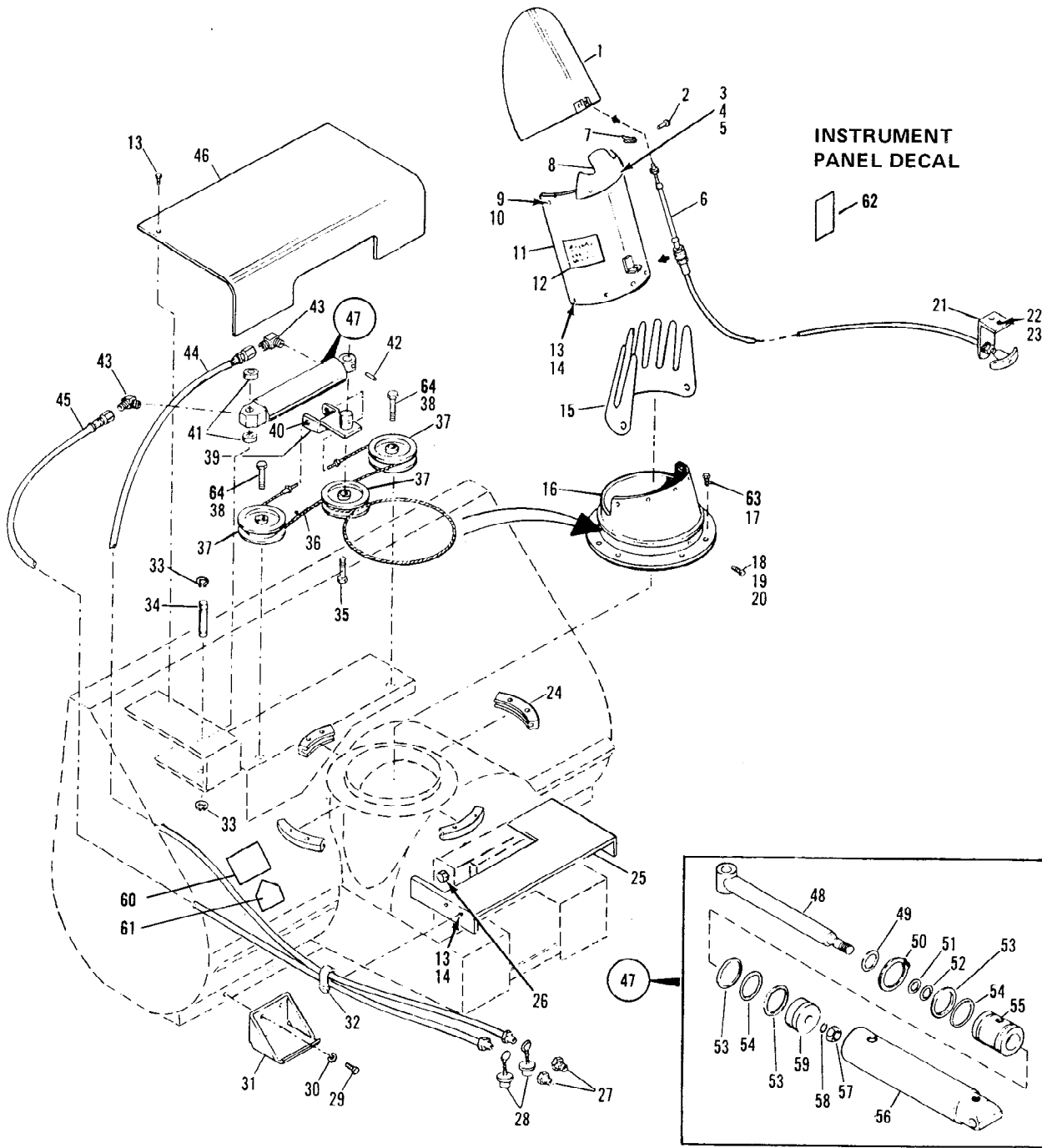


Figure 4 CONTROL ASSEMBLIES

REF. NO.	PART NO.	DESCRIPTION	NO. REQ'D.	REF. NO.	PART NO.	DESCRIPTION	NO. REQ'D.
1	1725712	Cap Assy.....	1	30	● 1100255	Flat Washer, 5/16	4
2	1717896	Terminal	1	31	1726184	Shoe Assy.....	2
3	1725716	Doubler (1)	1	32	1726092	Tube Clamp	1
4	1185878	Pop Rivet, 3/16 x 3/8.	4	33	1186056	External Retaining Klipping.	2
5	1802230	Flat Washer	4	34	1725741	Cylinder Pin	1
6	1725736	Control Cable	1	35	● 1100043	Hex Hd. Capscrew, 3/8-16 x 1-1/4	1
7	1717897	Hair Pin	1	36	1725718	Cable Assy.	1
8	1725715	Deflector (1)	1	37	1714742	Idler Pulley	3
	1727144	Deflector (2)(3)	1	38	● 1110108	Hex Hd. Locknut, 3/8-16 ..	2
9	1725702	Flip Lock Grommet.	2	39	1725708	Control Arm Assy.....	1
10	1724791	Push Nut	2	40	● 1110148	Hex Hd. Locknut, 1/4-28 ..	2
11	1725711	Outlet Duct Assy.	1	41	1725740	Spacer	2
12	1724816	(Caution) Decal (1)(2)	2	42	1725717	Spirol Pin	1
	1730996	(Caution) Decal (3)	1	43	1717624	Elbow, 90°	2
13	1726804	Whiz-Lock Flange Screw, 1/4-20 x 1/2 (1)(2)	9	44	1725738	Hydraulic Hose	1
	1724492	Whiz-Lock Flange Screw, 1/4-20 x 1/2 (3)	13	45	1725739	Hydraulic Hose	1
14	1103993	External Tooth Lockwasher (2)	9	46	1725734	Cover Assy.	1
15	1727267	Chute Shield (2)	1	47	1725725	Hydraulic Cylinder (Incl. Ref. Nos. 48 thru 59) ...	1
16	1725237	Swivel Duct	1	48	1724512	Piston Rod Assy.....	1
17	1726805	Sems Screw, 1/4-20 x 7/8 ..	8	49	1185266	Oil Seal	1
18	● 1100805	Hex Hd. Capscrew, 1/4-20 x 3/4	1	50	1118735	Snap Ring	1
19	● 1110106	Hex Hd. Locknut, 1/4-20 ..	1	51	1186019	Ring Washer	1
20	● 1100242	Lockwasher, 5/16	1	52	1177395	O-Ring	1
21	1725737	Cable Bracket	1	53	1186018	Ring Washer	3
22	● 1111599	Hex Hd. Capscrew, 1/4-20 x 5/8	2	54	1186017	O-Ring	2
23	1186389	Whiz-Lock Flange Nut, 1/4-20	2	55	1724511	Cylinder Head.	1
24	1725235	Chute Guide	4	56	1724516	Cylinder Tube Assy.....	1
25	1725732	Cover	1	57	● 1110154	Locknut, 5/8-18	1
26	1186345	Whiz-Lock Flange Screw, 3/8-16 x 3/4	4	58	1177509	O-Ring	1
27	1717842	Male Hydraulic Coupling. ...	2	59	1724515	Piston	1
28	1720732	Dust Cap	2	60	1734901	(Warning) Decal (3)	1
29	● 1100046	Hex Hd. Capscrew, 3/8-16 x 1	4	61	1732896	(OPEI) Decal (3)	1
				62	1732808	(Discharge) Decal (3)	1
				63	● 1103993	Lockwasher, 1/4 (2)(3). ...	8
				64	● 1100047	Hex Hd. Screw, 3/8-16 x 1 .	2

(1) Serial Numbers 0100101 thru 0199999

(2) Serial Numbers 0200101 thru 0299999

(3) Serial Numbers 0300101 and up

● Common Hardware - Purchase Locally (Grade 5 where applicable).