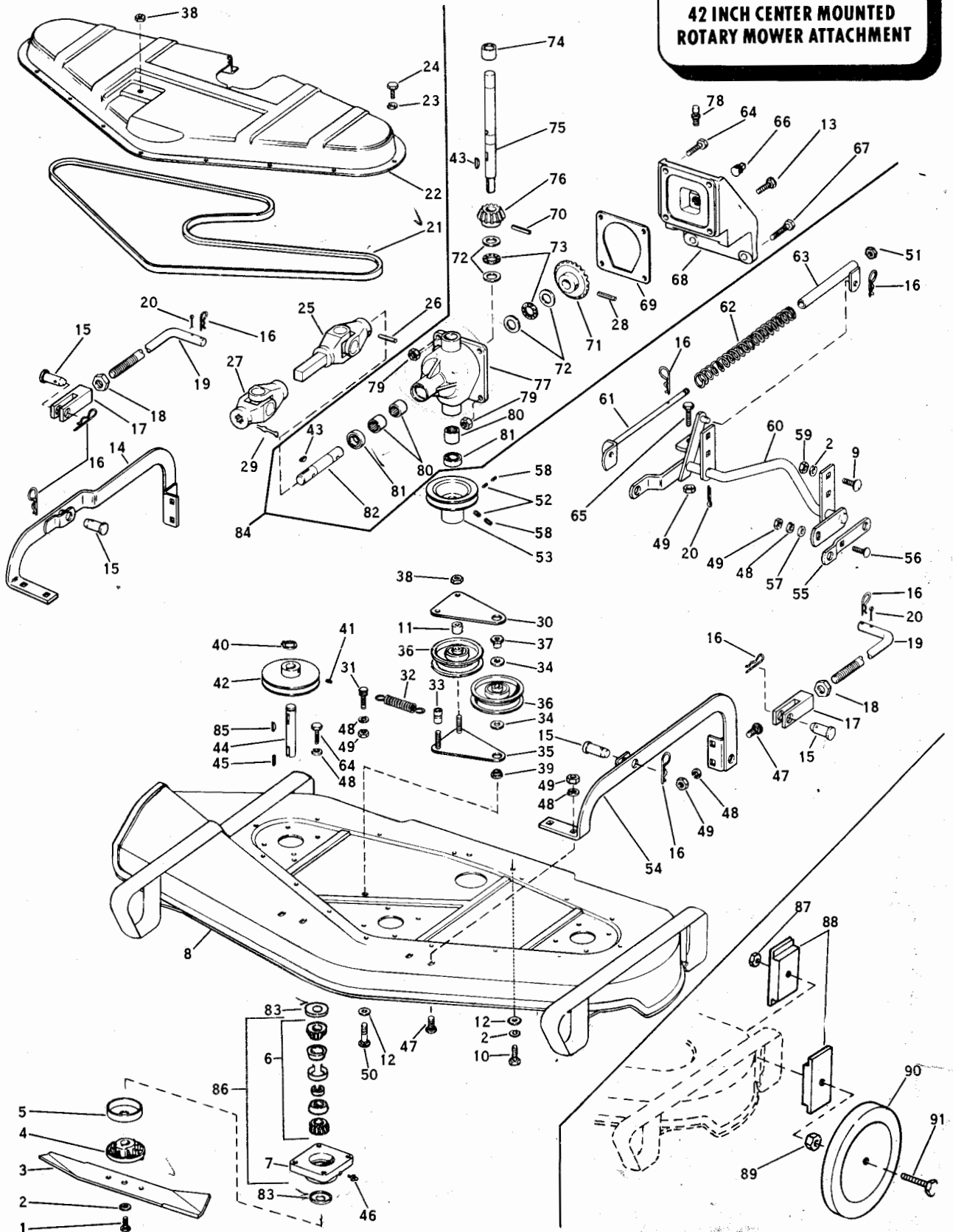


ILLUSTRATED PARTS LIST

BOLENS

MODEL 18457-01

42 INCH CENTER MOUNTED ROTARY MOWER ATTACHMENT



PRICE: ONE DOLLAR

FORM NO. P-551583

ROTARY MOWER MODEL 18457-01

Ref. No.	Part No.	Description	No. Req'd.
1	1100009	Capscrew - H.T.	3
2	1100243	Lockwasher 3/8	11
3	1716764	Mower Blade	3
4	1716745	Drive Hub	3
5	1716744	Cap	3
6		Bearing Assy (See Note)	3
7	1716747	Bearing Housing	3
8	1716751	Base	1
9	1111285	Carriage Bolt 3/8-16 x 1	4
10	1106919	Capscrew Head Cap 3/8-16 x 1	2
11	1716778	Spacer	1
12	1107383	Flat Washer 3/8	6
13	1106896	Capscrew 5/16-18 x 2-3/4	2
14	1716769	Bail - R.H.	1
15	1713553	Clevis Pin	4
16	1703011	Spring Cotter	8
17	1714573	Rod End	2
18	1108891	Jam Nut 5/8-11	2
19	1716890	Link Rod	2
20	1100350	Cotter Pin 1/8 x 1	4
21	1185651	Drive Belt - 114-5/32"	1
22	1716752	Belt Cover	1
23	1100241	Lockwasher 1/4	15
24	1106830	Capscrew 1/4-20 x 1/2	15
*25	1714728	Universal Joint & Shaft	1
26	1185220	Roll Pin 3/16 x 1-1/2	1
*27	1715008	Universal Joint	1
28	1185284	Roll Pin 1/4 x 2	1
29	1716369	Cotter Pin - Special	1
30	1716760	Idler Arm	1
31	1715210	Anchor Bolt	1
32	1716777	Spring	1
33	1716779	Spacer	1
34	1714233	Bearing	2
35	1716759	Idler Arm	1
36	1714742	Idler Pulley	2
37	1716775	Nut - Special	1
38	1185506	Jam Nut 3/8-16	3
39	1716776	Spacer	1
40	1185649	Retaining Ring	3
41	1103466	Set Screw 5/16-18 x 3/8	6
42	1716763	Blade Drive Pulley	3
43	1104436	Woodruff Key 3/16 x 3/4	2
44	1716743	Drive Shaft	3
45	1108852	Sq. Key 3/16 x 3/4	3
46	1110086	Grease Fitting	3

Ref. No.	Part No.	Description	No. Req'd.
47	1111265	Carriage Bolt 5/16-18 x 3/4	8
48	1100242	Lockwasher 5/16	22
49	1103839	Hex Nut 5/16-18	18
50	1106934	Capscrew 3/8-16 x 2-1/4	1
51	1110108	Lock Nut 3/8-16	1
52	1185550	Set Screw 3/8-16 x 5/16	2
53	1716749	Pulley	1
54	1716770	Bail - L.H.	1
55	1714749	Adjusting Arm	1
56	1111266	Carriage Bolt 5/16-18 x 1	1
57	1100255	Flat Washer 5/16	1
58	1185551	Lock Screw 3/8-16 x 3/16	2
59	1103840	Hex Nut 3/8-16	5
60	1714750	Lift Arm	1
61	1714868	Guide Rod	1
62	1716774	Spring	1
63	1714871	Tube	1
64	1106876	Capscrew 5/16-18 x 7/8	12
65	1106882	Capscrew 5/16-18 x 1-1/4	3
66	1105678	Plug	1
67	1106927	Capscrew 3/8-16 x 1-1/2	2
68	1716767	Gear Case Support	1
69	1713662	Gasket	1
70	1185348	Roll Pin 1/4 x 1-1/4	1
71	1715634	Gear - 19T	1
72	1185432	Thrust Race	4
73	1185431	Thrust Bearing	2
74	1713665	Needle Bearing	1
75	1714754	Vertical Shaft	1
76	1715635	Gear - 16T	1
77	1716345	Gear Case Only	1
78	1185626	Air Vent Fitting	1
79	1110107	Locknut 5/16-18	4
80	1185010	Needle Bearing	3
81	1185296	Seal	2
82	1713676	Horizontal Shaft	1
83	1185648	Seal	6
84	1716773	Complete Gear Case Assy	
85	1100277	Woodruff Key 3/16 x 7/8	3
86	1716949	Housing & Bearing Assy	3
WHEEL KIT MODEL 18458			
87	1110110	Nut - Self Locking 1/2-13	2
88	1716791	Clamp-Wheel Support	4
89	1185496	Nut - Self Locking Jam 1/2-13	2
90	1716793	Wheel - 5" Dia.	2
91	1716792	Bolt - Special 1/2-13 x 3-3/4	2

* 1714207 Repair Kit for Joint Marked 6N

* 1714208 Repair Kit for Joint Marked NEAPCO

NOTE: Sold only as assembly - Do to Tolerances, requires complete matched bearing set including spacer and retaining ring positioned in housing if replacement of any individual part is necessary.



BOLENS

PORT WASHINGTON, WISCONSIN, U.S.A.