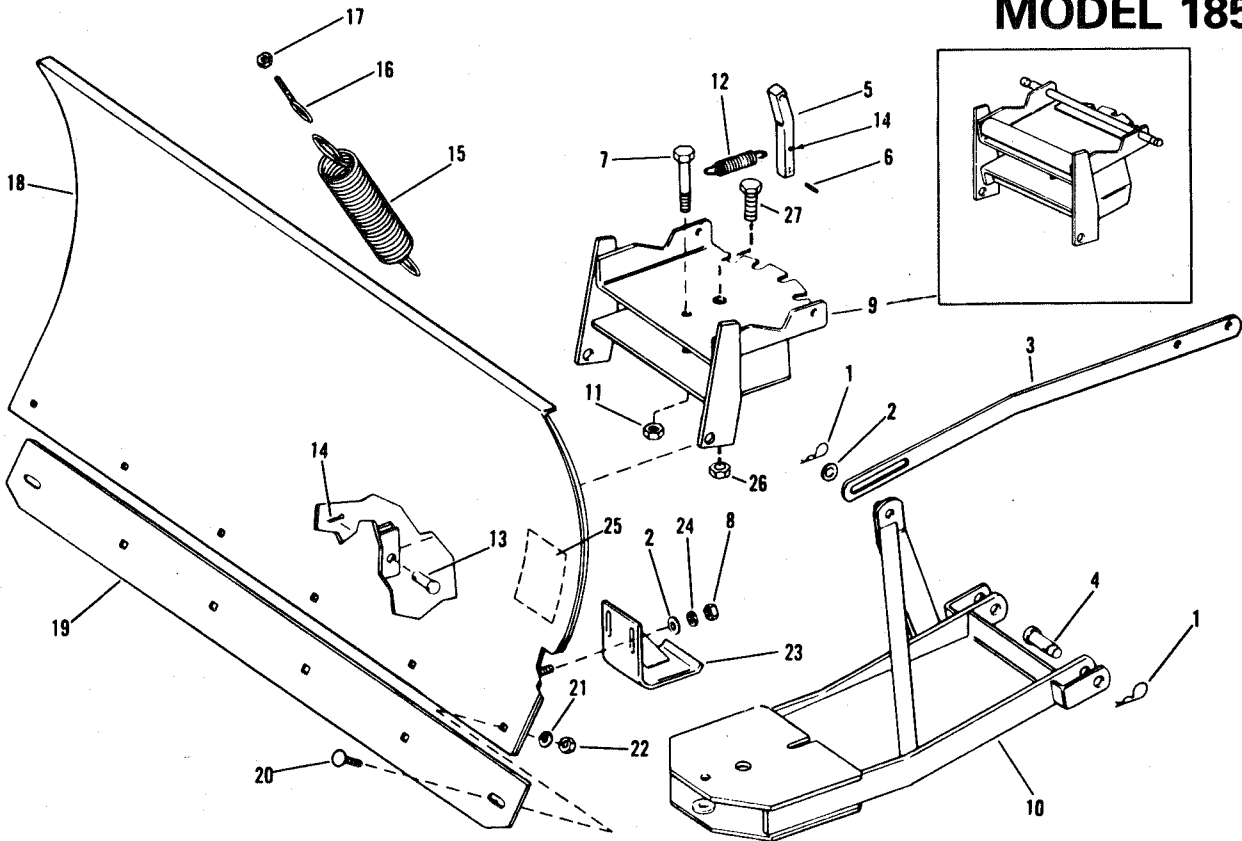


# BOLENS

# BLADE ATTACHMENT 42 INCH PARTS LIST

MODEL 18532



REF. NO.	PART NO.	DESCRIPTION	NO. REQ'D.
1	1703011	Cotter Spring	3
2	● 1107383	Flat Washer, 3/8	5
3	1714432	Lift Link	1
4	1713501	Clevis Pin	2
5	1714830	Latch Pin	1
6	1704692	Roll Pin, 1/8 x 1	2
7	● 1107073	Capscrew, 5/8-11 x 3	1
8	● 1186231	Hex Nut, 3/8-16	4
9	1714814	Pivot Plate (1)(2)(3)	1
	1723572	Pivot Plate (4)	1
	1731053	Pivot Plate (5)	1
10	1714837	Hitch (1)(2)(3)(4)	1
	1731082	Hitch (5)	1
11	● 1110112	Lock Nut, 5/8-11	1
12	1700401	Extension Spring	1
13	1708125	Clevis Pin, 1/2 x 1-1/16	2
14	● 1100349	Cotter Pin, 1/8 x 3/4	3
15	1714844	Extension Spring	2

REF. NO.	PART NO.	DESCRIPTION	NO. REQ'D.
16	1713077	Eye Bolt	2
17	● 1110107	Lock Nut, 5/16-18	2
18	1714824	Blade (1)(2)(3)	1
	1727020	Blade (4)(5)	1
19	1700379	Scraper Blade	1
20	● 1186100	Carriage Bolt, 5/16-18 x 1	6
21	● 1100242	Lockwasher, 5/16	6
22	● 1186230	Nut, 5/16-18	6
23	1715754	Shoe	2
24	● 1100243	Lockwasher, 3/8	4
25	1725532	Decal (Logo) (1)(2)(3)	1
	1727451	Decal (Logo) (4)(5)	1
26	● 1110108	Hex Nut (5)	1
27	● 1100770	Cap Screw 3/8-16 x 2-3/4 (5)	1
NI	1730354	Spray Paint, Black	

(1) Type 01

(2) Type 02

(3) Serial Number 0300101 thru 0399999

● Common Hardware - Purchase Locally (Grade 5 where applicable).

(4) Serial Number 0400101 thru 0499999

(5) Serial Number 0500101 thru 0599999