

# BOLENS

---

HUSKY  
1225  
TRACTOR  
MODEL 194-01

## ILLUSTRATED PARTS CATALOG

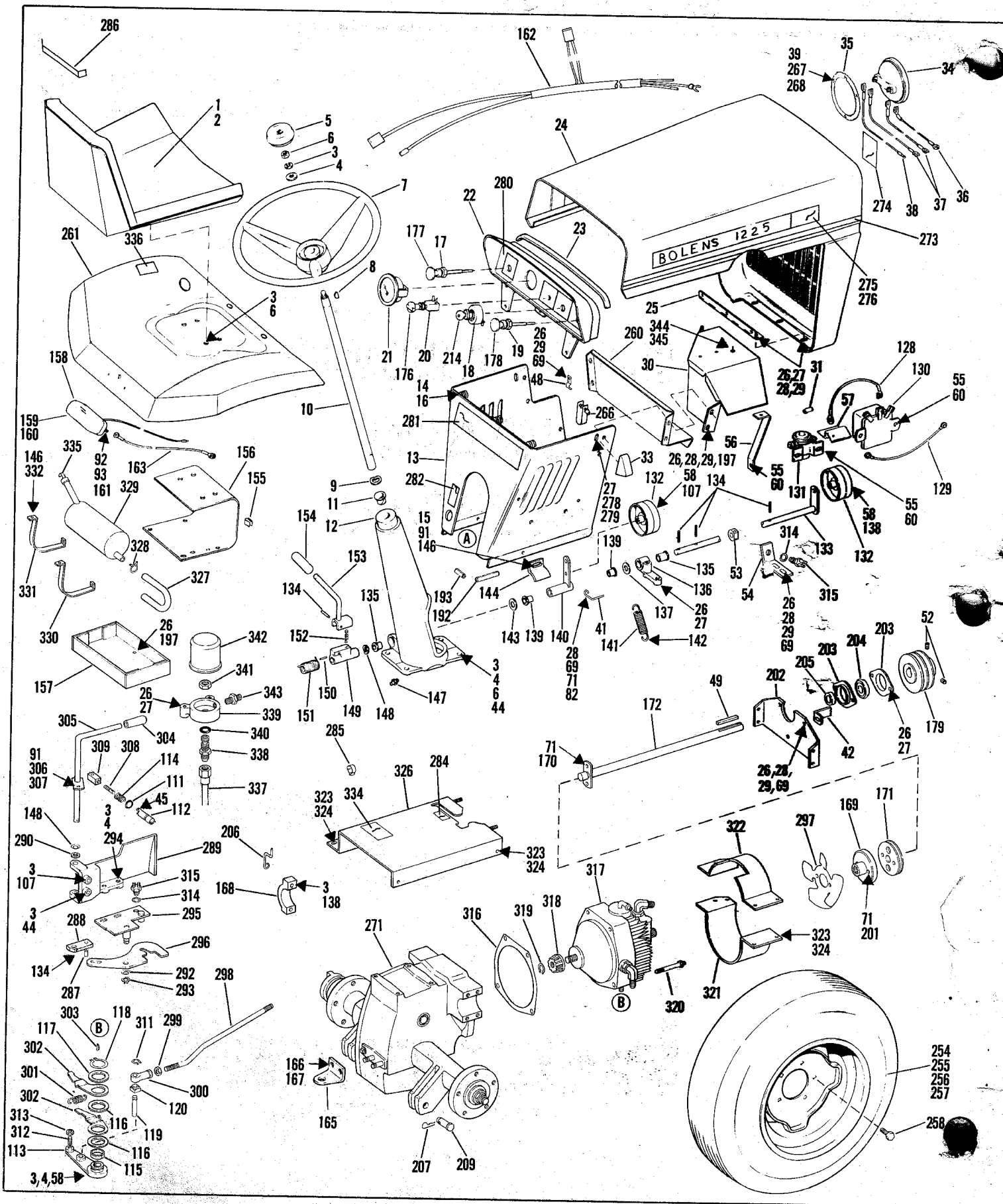


PORT WASHINGTON, WISCONSIN, U.S.A.

PRINTED IN U.S.A.

FORM NO. P-551930  
2/69

# TRACTOR ASSEMBLY MODEL 194-01





## TRACTOR ASSEMBLY MODEL 194-01

Ref. No.	Part No.	Description	No. Req'd
1	1717 355	Seat Pad	1
2	1717 352	Seat, Pan Assembly	1
3	1100 243	Lockwasher 3/8	31
4	1107 383	Flat Washer 3/8	14
5	1719 165	Cap	1
6	1121 509	Hex Nut 3/8-16	17
7	1719 164	Steering Wheel	1
8	1104 436	Woodruff Key 3/16 x 3/4	1
9	1713 122	Bowed Washer	1
10	1717 269	Steering Shaft	1
11	1717 263	Bearing	1
12	1717 258	Steering Support	1
13	1721 200	Rear Panel	1
14	1100 241	Lockwasher 1/4	15
15	1115 931	Phillips Screw 1/4-20 x 5/8	3
16	1121 507	Hex Nut 1/4-20	10
17	1721 021	Choke (Inc 177)	1
18	1721 409	Ignition Switch (Inc 214)	1
19	1717 242	Throttle Control (Inc 178)	1
20	1717 256	Light Switch (Inc 176)	1
21	1714 146	Ammeter	1
22	1717 249	Instrument Panel	1
23	1717 599	Pad	1
24	1721 603	Hood and Grill Assy (Inc Decals)	1
25	1717 246	Hinge	1
26	1100 242	Lockwasher 5/16	35
27	1106 872	Capscrew 5/16-18 x 5/8	21
28	1107 382	Flat Washer 5/16	16
29	1182 563	Hex Nut 5/16-18	17
30	1721 542	Heat Shield	1
31	1721 038	Connector	1
32	1107 041	Capscrew 1/2-13 x 2-3/4	1
33	1717 232	Latch	2
34	*	Headlight (GE4406)	2
35	1719 708	Retaining Ring	2
36	1717 394	Lead Wire - Headlight	1
37	1717 370	Lead Wire - Headlight	2
38	1717 369	Lead Wire - Headlight	1
39	1185 749	Rivet	6
40	1705 092	Washer	5
41	1720 717	Belt Guide	1
42	1720 437	Belt Guide	2
43	1110 109	Lock Nut 7/16-14	1
44	1106 923	Capscrew 3/8-16 x 1-1/4	5
45	1187 961	Roll Pin 5/32 x 1	1
46	1721 413	Battery Terminal Boot	1
47	1715 127	Cable Clamp	1
48	1721 037	Cable Clip	1
49	1104 335	Sq. Key 3/16 x 2	1
50	1100 244	Lockwasher 7/16	1
51	1107 013	Capscrew 7/16-14 x 1-3/4	1
52	1103 494	Set Screw 3/8-16 x 1/2	2
53	1720 962	Interlock Switch Cam	1
54	1720 533	Switch Support	1
55	1185 854	Screw	5
56	1721 541	Heat Shield Support	1
57	1721 540	Regulator Support	1
58	1110 108	Lock Nut 3/8-16	16
59	1185 506	Jam Nut 3/8-16	1
60	1187 612	Lockwasher 1/4	8
61	1721 411	Wiring Harness Assy.	1
62	1720 565	Control Arm	1

Ref. No.	Part No.	Description	No. Req'd
63	1714 233	Nylon Bushing	3
64	1714 783	Spacer	1
65	1185 739	Elbow - 90°	2
66	1716 169	Starter Generator	1
67	1708 293	Pulley	1
68	1714 688	Adjusting Strap	1
69	1106 876	Capscrew 5/16-18 x 7/8	9
70	1106 878	Capscrew 5/16-18 x 1	2
71	1110 107	Lock Nut 5/16-18	8
72	1716 315	Support - Generator	1
73	1716 636	Lead Assembly (Ground)	1
74	1718 027	Battery	1
75	1709 652	Wing Nut 1/4-20	2
76	1718 108	Clamp Rod	2
77	1720 538	Clamp - Battery	2
78	1718 111	Carrier Battery	1
79	1118 378	Screw 5/16-18 x 1/2	4
80	1185 498	Speed Nut 5/16-18	4
81	1717 236	Hood Stop	1
82	1705 905	Bowed Washer	3
83	1717 244	Bracket	1
84	1111 608	Capscrew 5/16-18 x 2-1/2	2
85	1714 720	Spacer	1
86	1721 499	Tank Strap	1
87	1714 685	Tank Strap	1
88	1714 767	Tank (Inc 89)	1
89	1714 766	Cap Only	1
90	1714 820	Wire - Lift Indicator	1
91	1107 381	Flat Washer 1/4	7
92	1109 845	Nut #10-32	3
93	1100 240	Lockwasher #10	5
94	1718 029	Tank Outlet	1
95	1114 474	Fil. Screw 1/4-20 x 1-1/2	2
96	1719 510	Battery Lead	1
97	1106 946	Capscrew 3/8-16 x 3-3/4	4
98	1714 648	Spacer	4
99	1713 394	Plate	1
100	1714 721	Spacer - Throttle Bracket	1
101	1716 679	Bracket - Throttle	1
102	1106 852	Capscrew 1/4-20 x 2	1
103	1103 470	Set Screw 5/16-18 x 1/2	2
104	1187 474	Sq. Key 1/4 x 2-1/4	1
105	1720 444	Engine Pulley	1
106	1716 642	Belt Guide	2
107	1106 936	Capscrew 3/8-16 x 2-1/2	4
108	1716 570	Belt 42-1/2" Matched Set of 2 (PTO)	1
109	1720 573	Belt 34" Matched Set of 2 (Engine Drive)	1
110	1714 690	Generator Belt 31-31/32	1
111	1177 509	"O" Ring	1
112	1720 262	Parking Pawl	1
113	1720 512	Speed Control Arm	1
114	1712 569	Compression Spring	1
115	1720 706	Bearing	1
116	1720 361	Thrust Washer	2
117	1720 529	Thrust Washer	1
118	1185 732	Retaining Ring	1
119	1720 929	Control Pin	1
120	1720 699	Cushion Block	1
121	1720 439	Mounting Plate	1
122	1185 558	Sleeve Bearing	2
123	1720 741	RH Pedal	1

\*Not stocked. Purchase from your local automotive or electrical supplier.

## TRACTOR ASSEMBLY MODEL 194-01 (CONT)

Ref. No.	Part No.	Description	No. Req'd
124	1720 742	LH Pedal	1
125	1720 347	Frame Tube RH	1
126	1720 341	Frame Tube LH	1
127	1110 110	Lock Nut 1/2-13	2
128	1717 395	Lead Wire	1
129	1719 511	Lead Wire Ground	1
130	1708 287	Voltage Regulator	1
131	1717 048	Solenoid	1
132	1716 584	Idler Pulley	2
133	1716 615	Control Shaft	1
134	1704 692	Roll Pin 1/8 x 1	5
135	1185 647	Bearing	2
136	1716 590	Shaft Support	1
137	1107 385	Flat Washer 1/2	1
138	1106 930	Capscrew 3/8-16 x 1-3/4	10
139	1715 538	Flanged Bushing	2
140	1720 436	Idler Arm	1
141	1716 728	Spring	1
142	1185 584	Cotter Pin 3/16 x 3/4	1
143	1890 234	Flat Washer 1/2	1
144	1714 642	Brace	3
145	1717 854	Wire Clamp	1
146	1185 456	Tinnerman Nut	7
147	1104 954	Grease Fitting	5
148	1706 782	Bowed Washer	3
149	1715 679	PTO Pivot (Inc 150)	1
150	1120 210	Roll Pin 3/16 x 1	1
151	1715 680	Spring	1
152	1713 391	Spring	1
153	1716 634	Control Lever	1
154	1715 685	Grip	1
155	1717 581	"S" Clip	3
156	1713 415	Seat Support	1
157	1720 357	Tool Box	1
158	1717 597	Taillight Assembly (Inc 159 & 160)	1
159	*	Bulb (GE1889)	1
160	1718 234	Lens Only	1
161	1114 755	Screw #10-32 x 5/8	4
162	1721 164	Interlock & Taillight Wire	1
163	1717 922	Lead Wire Ground	1
164	1106 989	Capscrew 1/2-13 x 1-1/2	1
165	1714 101	Hitch	1
166	1100 245	Lockwasher 1/2	2
167	1121 511	Hex Nut 1/2 x 13	2
168	1713 461	Mounting Cap	4
169	1720 348	Coupling	1
170	1110 818	Set Screw 5/16-18 x 3/4	2
171	1716 561	Bonded Coupling	1
172	1720 455	Drive Shaft	1
173	1714 819	Lift Position Decal	1
174	1721 632	Clevis	1
175	1721 631	"O" Ring	1
176	1718 231	Light Switch Knob Only	1
177	1721 183	Choke Knob & Wire Only	1
178	1718 233	Throttle Knob & Wire Only	1
179	1720 365	Pulley Driven	1
180	1721 630	Guide	1
181	1721 629	Piston Rod	1
182	1721 628	Washer	2
183	1721 627	Tube	1
184	1721 626	"O" Ring	3

Ref. No.	Part No.	Description	No. Req'd
185	1721 625	Cylinder Head	1
186	1714 788	Hydraulic Cylinder Assy (Inc 174-175-180-181-182-183-184-185)	1
187	1703 011	Cotter Pin	1
188	1720 610	Sleeve	1
189	1185 496	Lock Nut 1/2-13	1
190	1107 035	Capscrew 1/2-13 x 2	1
191	1720 729	Tool Lift Lever	1
192	1177 550	Drive Pin 5/16 x 2-1/2	1
193	1185 400	Drive Pin 5/16 x 1-1/4	1
194	1719 179	Hose - Cylinder to Control Valve 19-1/2" LG	1
195	1720 296	Hose - Control Valve to Cylinder 13-3/4"	1
196	1100 123	Screw 1/4-20 x 1-1/4	2
197	1106 874	Capscrew 5/16-18 x 3/4	8
198	1721 620	Hydraulic Valve Seal, Spring, and Gasket Kit	1
199	1720 302	Hydraulic Valve	1
200	1721 035	Tubular Spacer	2
201	1185 826	Capscrew 5/16-18 x 1	2
202	1720 438	Bearing Support	1
203	1185 838	Bearing Flange	2
204	1800 757	Ball Bearing	1
205	1800 417	Brg. Collar	1
206	1721 610	Stop Lever	1
207	1703 011	Cotter Spring	2
208	1111 614	Capscrew 3/8-16 x 3 H. T.	7
209	1719 367	Clevis Pin	2
210	1708 012	Flat Washer	1
211	1185 284	Drive Pin 1/4 x 2	1
212	1713 811	Steering Pinion	1
213	1713 809	Steering Gear	1
214	1718 266	Key Only	1
215	1720 734	Cross Shaft	1
216	1185 811	Drive Pin 3/32 x 1/2	1
217	1716 563	Steering Arm	1
218	1713 361	Ball Joint	2
219	1103 926	Jam Nut 1/2-20	2
220	1713 385	Tie Rod	1
221	1891 696	Drive Pin 5/16 x 1-1/2	2
222	1713 377	Steering Lever LH	1
223	1110 152	Self Locking Nut 1/2-20	3
224	1713 378	Steering Lever RH	1
225	1716 697	Axle	1
226	1716 953	Spindle LH	1
227	1716 952	Spindle RH	1
228	1717 462	Drag Link	1
229	1185 616	Ball Bearing	2
230	1185 615	Ball Bearing	2
231	1715 855	Valve Stem Assembly	2
232	1715 789	Wheel Only	2
233	1717 441	Tire 16 x 6:50 x 8	2
234	1717 357	Wheel & Tire (229 thru 233)	2
235	121 898	Washer	4
236	1716 197	Set Collar	2
237	1187 857	Cap Screw 1/4-20 x 1	2
238	1715 899	Dust Cap 1-1/2 ID (Some Models)	2
239	1721 245	Dust Cap 1-5/8 ID (Some Models)	2

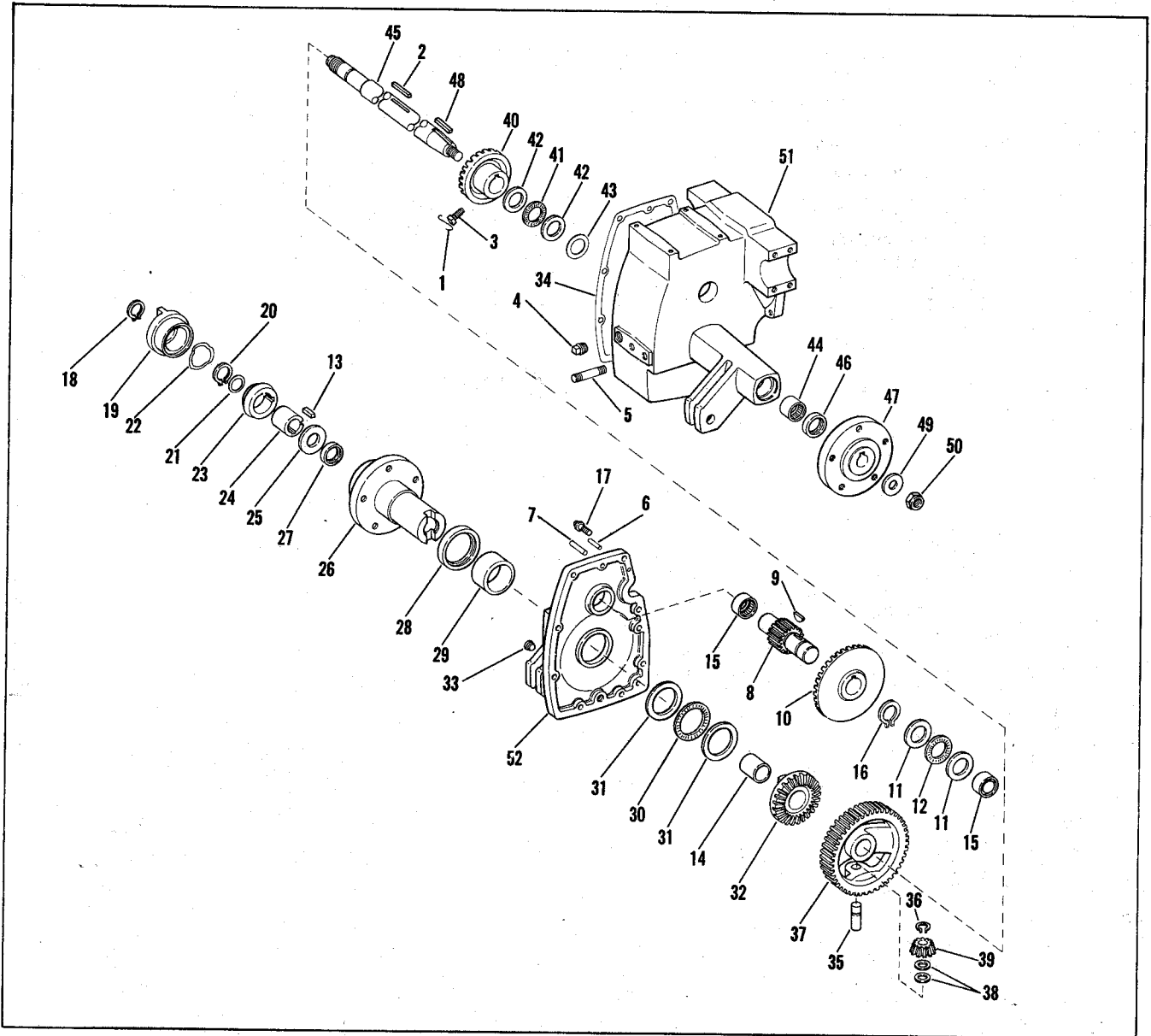
\*Not stocked. Purchase from your local automotive or electrical supplier.

## TRACTOR ASSEMBLY MODEL 194-01 (CONT)

Ref No.	Part No.	Description	No. Req'd
240	1713 383	Axle Pivot	1
241	1717 270	Axle Support	1
242	1714 132	Rubber Tip	2
243	1185 649	Retaining Ring	4
244	1716 594	Pulley PTO	1
245	1721 588	Shaft PTO	1
246	1716 647	Belt Guide	1
247	1106 880	Capscrew 5/16-18 x 1-1/8	2
248	1185 224	Oil Seal	1
249	1185 010	Needle Bearing	1
250	1715 785	Support Housing	1
251	1106 921	Capscrew 3/8-16 x 1-1/8	3
252	1185 605	Ball Bearing	1
253	1118 730	Retaining Ring	1
254	1715 866	Wheel & Tire Assembly (Inc 255, 256, 257)	2
255	1715 787	Wheel Only	2
256	1715 856	Tubeless Tire 8 x 12	2
257	1716 011	Valve Stem Assembly	2
258	101 085	Hub Bolt	10
259	1110 152	Self Locking Nut 1/2-20	1
260	1720 773	Heat Shield	1
261	1720 536	Fender	1
262	1106 938	Capscrew 3/8-16 x 2-3/4	7
263	1185 848	Nut #10-24	2
264	1100 115	Screw #10-24 x 1/2	2
265	1187 559	Shakeproof Washer	2
266	1719 512	Tie Band	1
267	1185 748	Wave Washer	6
268	1185 746	Spring Clip	6
269	1720 342	Pillow Block	1
270	1720 352	Hydraulic Control Handle	1
271	1720 350	Transaxle Assy (See Page 7)	1
272	1185 232	Drive Pin 3/16 x 1-1/4	3
273	1717 859	Tape Stripe 68" LG	1
274	1721 386	Husky Grille Decal	1
275	1721 230	Hood Decal LH "Bolens 1225"	1
276	1721 231	Hood Decal RH "Bolens 1225"	1
277	1721 613	Clip	1
278	1713 233	Flat Washer 5/16 Spec	6
279	1185 261	Lockwasher 5/16 Dished	2
280	1721 075	Instrument Panel Decal	1
281	1721 232	Instruction Decal	1
282	1721 254	Hydraulic Lift Decal	1
283	1720 353	Handle Grip	1
284	1721 072	PTO Drive Decal	1
285	1894 291	Cable Clip	2
286	1720 525	Seat Moulding	1
287	1185 277	Drive Pin	1
288	1720 594	Control Arm	1
289	1720 603	Control Mount	1
290	1890 234	Flat Washer	1
291	1185 668	Retaining Ring	6
292	1700 065	Bowed Washer	1
293	1185 849	Retaining Ring	1

Ref No.	Part No.	Description	No. Req'd
294	1106 919	Capscrew 3/8-16 x 1	2
295	1720 409	Adjusting Bracket	1
296	1720 604	Locking Arm	1
297	1720 349	Hydro. Fan	1
298	1720 716	Control Rod	1
299	1121 710	Jam Nut	2
300	1721 612	Rod End	2
301	1720 928	Extension Spring	1
302	1720 523	Neutralizer Arm	2
303	1104 435	Woodruff Key 1/8 x 5/8	1
304	1718 535	Handle Grip	1
305	1720 609	Control Handle	1
306	1721 229	Clevis Pin	1
307	1185 850	Cotter Pin 5/64 x 3/4	1
308	1721 515	Adjusting Stud	1
309	1721 516	Adjusting Nut	1
310	1720 297	Hose - Control Valve to Filter	1
311	1185 219	Retaining Ring	1
312	1112 803	Socket Screw 3/8-16 x 3/4	1
313	1108 887	Jam Nut 3/8-16	1
314	1185 844	Shakeproof Washer 9/16	2
315	1720 963	Interlock Switch	2
316	1720 282	Motor Gasket	1
317	1720 970	Hydrostatic Pkg. (Inc Ref 316)	1
318	1720 285	Bevel Pinion	1
319	1118 808	Retaining Ring	1
320	1185 775	Capscrew (Spec)	4
321	1720 688	Fan Guard Bottom	1
322	1720 957	Fan Guard Top	1
323	1185 839	Shakeproof Washer	8
324	1185 211	Cutting Screw 1/4-20 x 1/2	7
325	1721 590	Seal Washer	1
326	1720 399	Cover Plate	1
327	1720 947	Oil Line Hose	1
328	1185 820	Clamp	2
329	1720 774	Oil Reservoir Tank	1
330	1720 401	Tank Strap RH	1
331	1720 402	Tank Strap LH	1
332	1185 028	Screw 1/4-20-3/8	4
333	1720 294	Hose (Hydro. Pkg. to Hydraulic Control Valve)	1
334	1721 255	Park - Lock Decal	1
335	1720 458	Dipstick	1
336	1721 190	Hydro. Oil Instrument Decal	1
337	1720 973	Tube - (Filter Outflow to Hydro.)	1
338	1720 710	Bulkhead Fitting	1
339	1720 280	Filter Manifold	1
340	1185 773	"O" Ring	1
341	1720 721	Hex Nut 3/4-16	1
342	1719 859	Oil Filter	1
343	1717 563	Connector	5
344	1111 609	Capscrew 5/16-18 x 2-3/4	1
345	1717 596	Spacer	1
	1721 599	Hydrostatic Fluid (1 qt.)	2

**TRANSAXLE ASSEMBLY MODEL 194-01**  
**ASSEMBLY PART NO. 1720350**



Ref. No.	Part No.	Description	No. Req'd
1	1716 692	Locking Wire	1
2	1721 587	Key 1/4 Sq. x 1-1/4	1
3	1716 519	Drive Screw	2
4	1105 678	Pipe Plug 3/8	1
5	1718 067	Stud	2
6	1185 232	Roll Pin 3/16 x 1-1/4	1
7	1110 187	Dowel Pin 5/16 x 1	2
8	1720 260	Pinion Shaft	1
9	1100 279	Woodruff Key 1/4 x 1	1
10	1720 259	Bevel Gear	1
11	1185 767	Thrust Race	2
12	1185 764	Thrust Bearing	1
13	1104 336	Key 1/4 Sq. x 1	2
14	1185 832	Bearing	1
15	1185 774	Needle Bearing	2
16	1185 303	Retaining Ring	1
17	1185 771	Ferry Screw 3/8-16 x 1	7

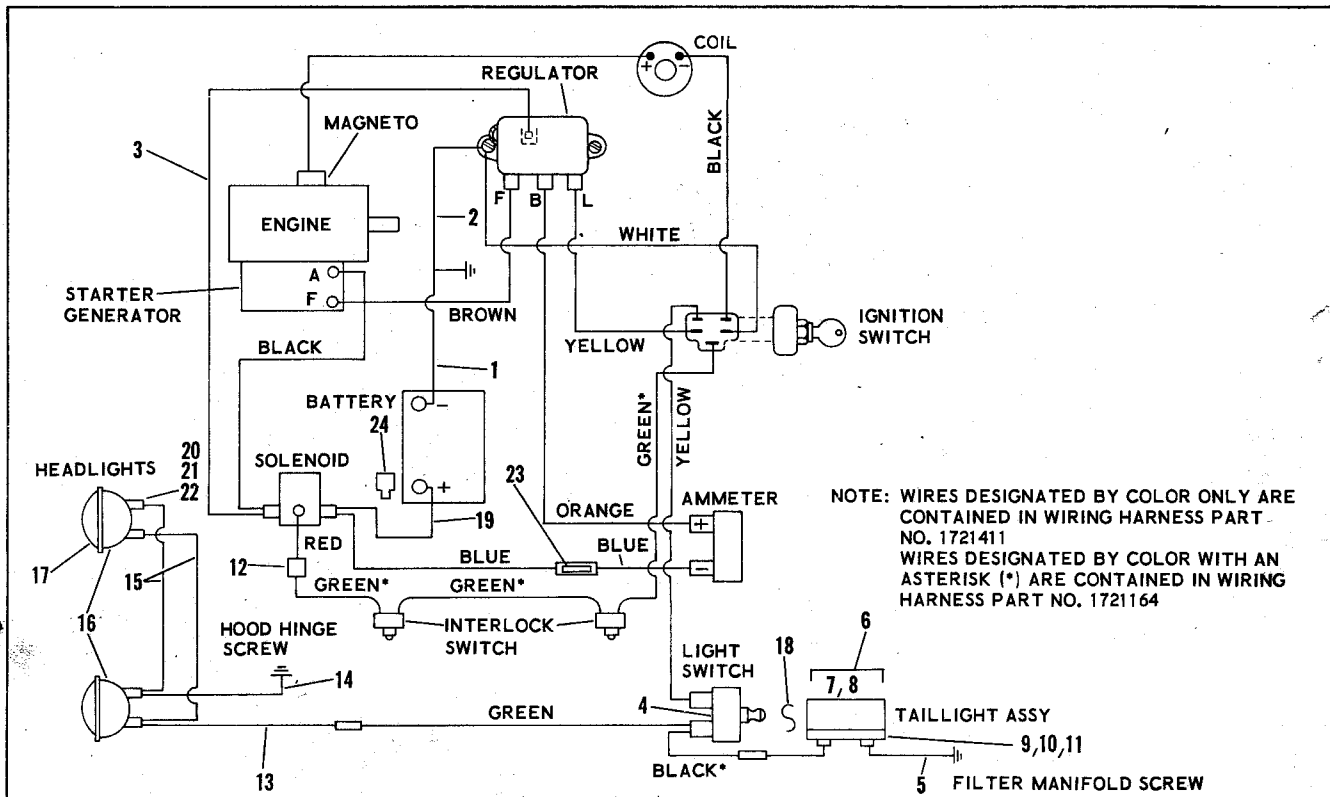
Ref. No.	Part No.	Description	No. Req'd
18	1180 025	Retaining Ring	1
19	1714 564	Adjusting Nut	1
20	1185 689	Retaining Ring	1
21	1800 338	Shim	AR
22	1721 357	Spring Washer	2
23	1714 562	Cone	1
24	1714 561	Coupling	1
25	1713 468	Thrust Washer	1
26	1720 266	LH Wheel Hub	1
27	1185 295	Oil Seal	1
28	1185 769	Oil Seal	1
29	1185 770	Bearing	1
30	1185 768	Thrust Bearing	1
31	1185 765	Thrust Race	2
32	1720 264	Bevel Gear	1
33	1105 640	Countersunk Pipe Plug	1
34	1720 257	Gasket	1

## TRANSAXLE ASSEMBLY MODEL 194-01 (CONT)

Ref. No.	Part No.	Description	No. Req'd
35	1713 467	Differential Pinion Shaft	2
36	1185 561	Retaining Ring	2
37	1720 268	Gear and Carrier	1
38	1712 763	Thrust Washer	4
39	1713 466	Bevel Pinion	2
40	1720 271	Bevel Gear	1
41	1185 763	Thrust Bearing	1
42	1185 766	Thrust Race	2
43	1720 299	Shim	AR

Ref. No.	Part No.	Description	No. Req'd
44	1185 645	Needle Bearing	2
45	1720 269	Axle	1
46	1185 642	Oil Seal	1
47	1720 293	Wheel Hub	1
48	1108 848	Key 5/16 Sq. x 1-1/4	1
49	1185 847	Special Flat Washer	1
50	1110 297	Lock Nut 5/8-18	1
51	1720 249	Gear Case Housing	1
52	1720 252	Cover	1

### DUAL LIGHT GROUP - WIRING DIAGRAM



Ref. No.	Part No.	Description	No. Req'd
1	1716 636	Lead Assembly (Ground)	1
2	1719 511	Lead Wire (Ground)	1
3	1717 395	Lead Wire	1
4	1717 256	Light Switch	1
5	1717 922	Lead Wire (Taillight Ground)	1
6	1717 597	Taillight Assembly (Inc 7 & 8)	1
7	*	Bulb (GE1889)	1
8	1718 234	Lens Only	1
9	1100 240	Lockwasher #10	2
10	1109 845	Nut #10-32	2
11	1114 755	Screw #10-32 x 5/8	2

Ref. No.	Part No.	Description	No. Req'd
12	1721 038	Connector	1
13	1717 369	Lead Headlight	1
14	1717 394	Lead Headlight	1
15	1717 370	Lead Headlight	2
16	1719 708	Retaining Ring	2
17	*	Headlight Bulb (GE4406)	2
18	1717 581	"S" Clips	3
19	1719 510	Battery Lead	1
20	1185 746	Ratchet Plate	6
21	1185 749	Rivet	6
22	1185 748	Wave Washer	6
23	1720 976	Fuse 20 Amp	1
24	1721 413	Battery Terminal Boot	1

\*Not stocked. Purchase from your local automotive or electrical supplier.