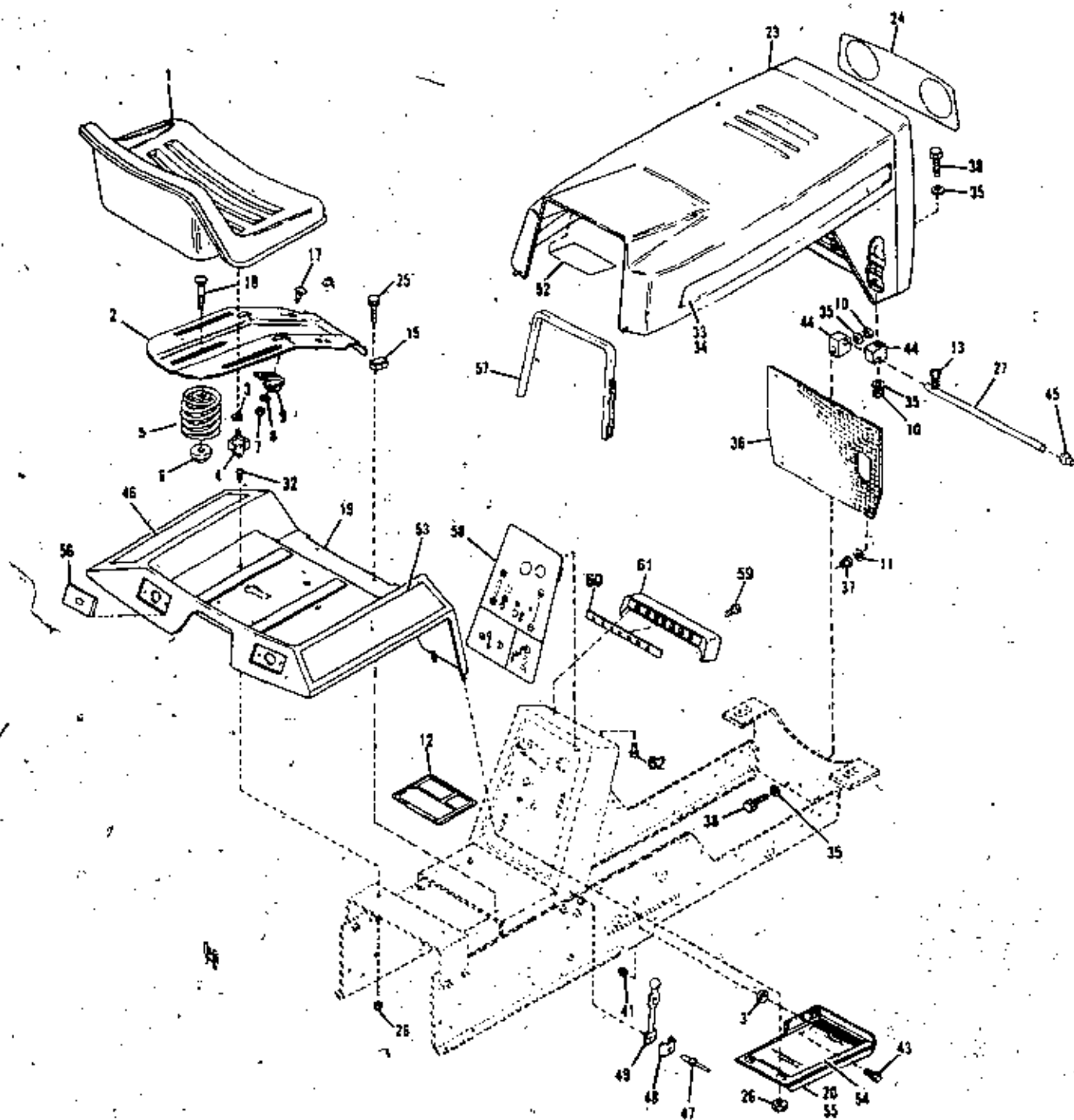


BOLENS 18 HP TRACTOR



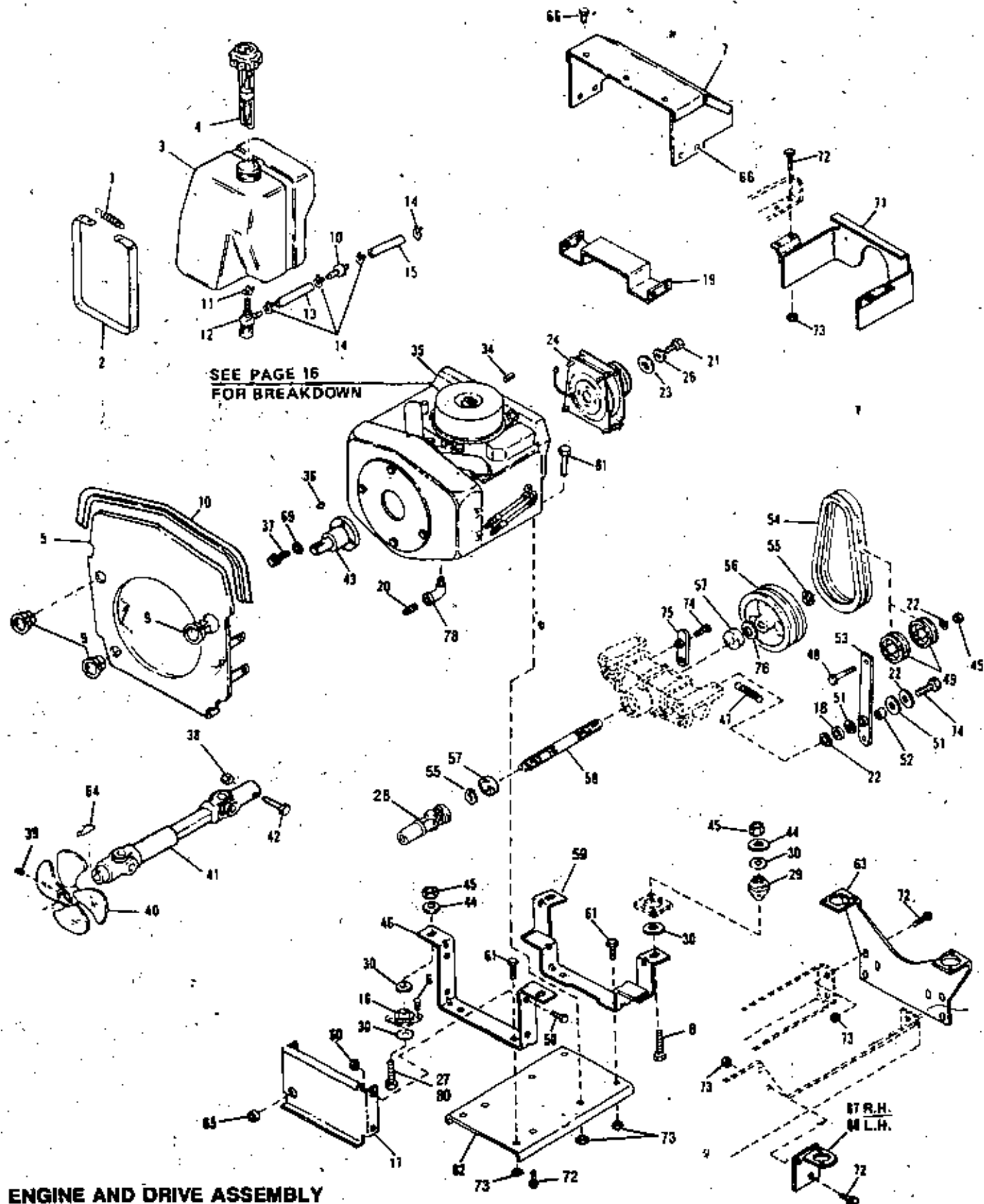
BODY WORK AND TRIM ASSEMBLY

REF. NO.	PART NO.	DESCRIPTION	NO. REQ'D
1	1747834	Seat.....	1
2	1734115	Seat Support.....	1
3	• 1100256	Flat Washer, 3/8.....	4
4	1734289	Adjusting Knob.....	2
5	1733960	Spring.....	1
6	1735125	Nut & Washer.....	1
7	• 1188229	Nut, 1/4-20.....	1
8	• 1100241	Flat Washer, 1/4.....	1
9	1734515	Actuator Bracket.....	1
10	• 1110107	Locknut, 5/16-18.....	4
11	1185418	Flat Washer.....	4
12	1750290	Instruction Decal.....	1
13	• 1100362	Cotter Pin, 3/32 x 1/2.....	1
15	1735265	Swivel Block.....	2
17	• 1188087	Carr. Bolt, 1/4-20 x 1/2.....	1
18	• 1188130	Carr. Bolt, 3/8-16 x 1-1/4.....	1
19	1748574	Fender Assembly.....	1
20	1736566	Foot Rest R.H.....	1
23	1749566	Hood & Grille.....	1
24	1748707	Grille Decal.....	1
25	• 1186332	Fl. Screw 5/16-18 x 1-1/4.....	2
26	• 1186391	Flange Locknut, 5/16-18.....	6
27	1736341	Pivot Rod.....	1
32	• 1186329	Flange Lock Screw 5/16-18 x 3/4.....	2
33	1748709	L.H. Identification Decal.....	1
34	1748708	R.H. Identification Decal.....	1

REF. NO.	PART NO.	DESCRIPTION	NO. REQ'D
35	• 1107382	Flat Washer, 5/16.....	8
36	1739112	Grille Screen.....	1
37	1736399	Flange Locknut.....	4
38	• 1100799	Hex Hd. Screw 5/16-18 x 1-1/2.....	4
41	• 1186393	Flange Locknut 3/8-16.....	4
43	• 1186345	Flange Lock Screw 3/8-16 x 3/4.....	4
44	1736340	Pivot.....	4
45	1728072	Push Nut.....	1
46	1750832	Fender Decal L.H.....	1
47	1728772	Pop Rivet 3/16 x 1/2.....	2
48	1727126	Clip.....	2
49	1727127	Latch.....	2
52	1748716	Instruction Decal.....	1
53	1750833	Fender Decal R.H.....	1
54	1748139	Foot Rest Pad.....	2
55	1736565	Foot Rest L.H.....	1
56	1725815	Reflector.....	2
57	1726932	Trim.....	1
58	1749680	Instrument Panel Decal.....	1
59	1186020	Thd. Cutting Screw 6-32 x 3/8.....	2
60	1748081	Lense.....	1
61	1748080	Light Housing.....	1
62	1748572	Self Thd. Screw 10-18 x 1/2.....	2
NI	1735223	Spray Paint (White)	
NI	1736798	Spray Paint (Dark Green)	

• Common Hardware-Purchase Locally (Grade 5 where applicable)

BOLENS 18 HP TRACTOR



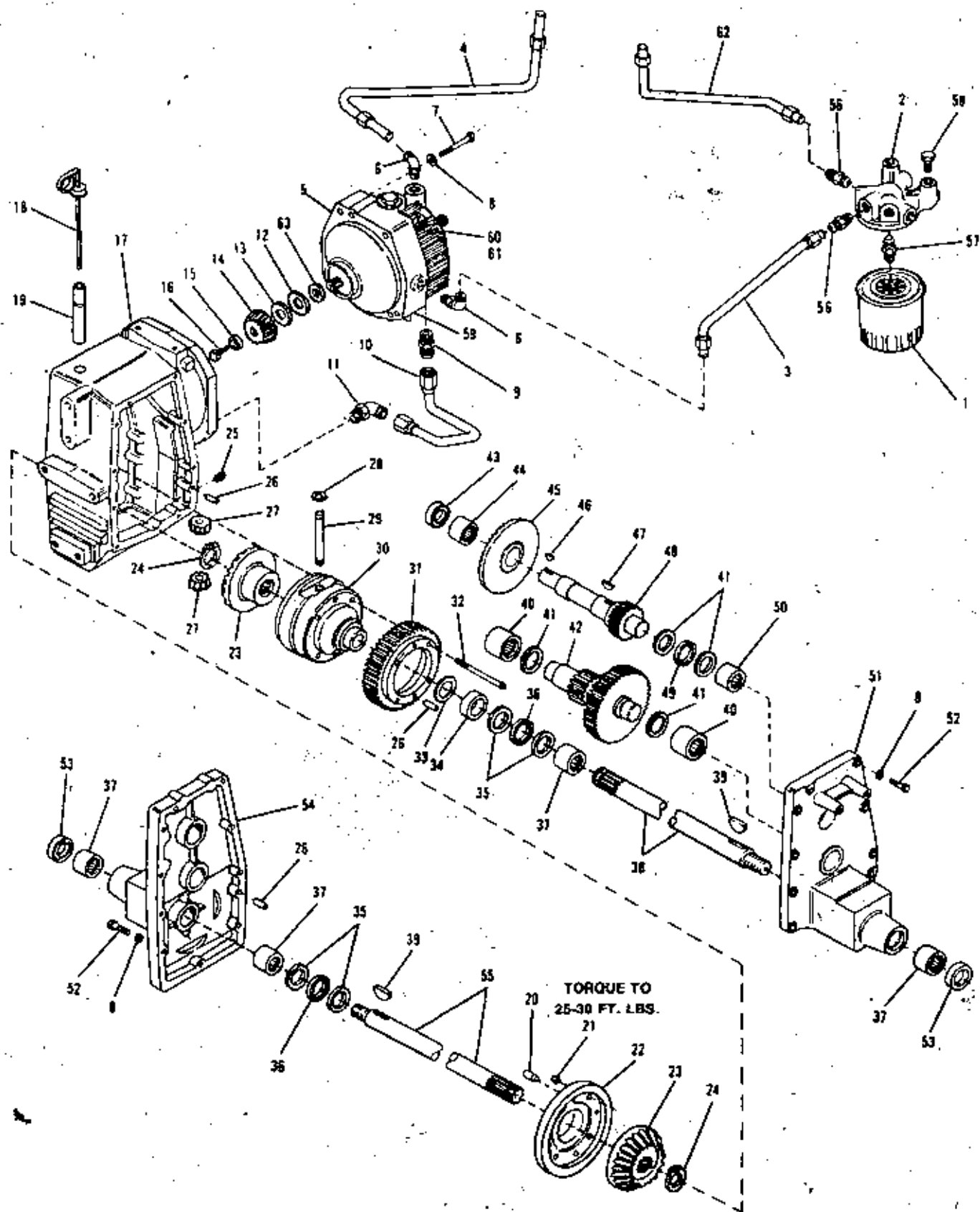
REF. NO.	PART NO.	DESCRIPTION	NO. REQ'D
1	1806648	Spring	1
2	1727918	Strap	1
3	1749484	Fuel Tank (Incl. Ref. No. 4)	1
4	1748758	Fuel Tank Cap	1
5	1750844	Shield Ass'y - Heat	1
6	1185712	Screw Thd. Cutting No. 10-24 x 1/2	8
7	1744409	Shield Assembly - Heat	1
9	1729587	Snap Bushing	3
10	1727491	Fuel Line Filter	1
11	1723474	Hose Clamp	1
12	1718029	Shut Off Valve	1
13	1724942	Fuel Line	1
14	1750687	Hose Clamp	4
15	1734941	Fuel Line	1
16	1725856	Rear Mount	2
17	1746357	Grass Shield	1
19	1736348	Shield Assembly - Heat	1
20	1105678	Plug, Sq. Hd. Pipe (Drain)	1
21	1736485	Capscrew, 7/16-20 x 1-1/4	1
22	1713233	Washer	2
23	1741801	Washer	1
24	1744401	Clutch Ass'y	1
26	• 1100244	Lockwasher, 7/16	1
28	1724836	Universal Joint Assembly	1
29	1738010	Front Mount	1
30	1186047	Flat Washer 3/8 x 1-3/8	AR
34	1708034	Key, 1/4 x 1/4 x 1/2	1
35		Kohler Engine, 18 HP (Model KT18QS - 24512)	1
36	1100276	Woodruff Key, 1/4 x 7/8	1
37	• 1100046	Cap Screw, 3/8-16 x 1	4
38	• 1110106	Locknut, 1/4-20	1
39	1737419	Set Screw, 5/16-18 x 3/4	2
40	1746503	Fan	1
41	1745927	Drive Shaft	1
42	• 1100807	Capscrew, 1/4-20 x 2	1
43	1736100	Drive Shaft	1

REF. NO.	PART NO.	DESCRIPTION	NO. REQ'D
44	1701055	Flat Washer, 3/8	4
45	• 1733398	Hex Locknut, 3/8-18	5
46	1750826	Rear Mount Support	1
47	1724822	Extension Spring	1
48	• 1100062	Hex Screw, 3/8-16 x 2-1/2	1
49	1727978	Idler Pulley	2
50	1186310	Flange Screw 1/4-20 x 3/4	4
51	1725069	Nylon Washer	2
52	1733359	Spacer	1
53	1744449	Idler Arm Assembly	1
54	1742626	PTO Belt (Matched Set of 2)	1
55	1185889	Snap Ring	2
56	1744379	PTO Sheave	1
57	1725087	Ball Double Seal Bearing	2
58	1742634	PTO Shaft	1
59	1745908	Front Mount Support	1
60	• 1186389	Flange Nut 1/4-20	4
61	• 1186347	Flange Screw 3/8-16 x 1	8
62	1744408	Engine Mount	1
63	1745907	Engine Support	1
64	1185885	Woodruff Key, 3/16 x 5/8	1
65	1746411	Bushing	1
66	• 1186308	Flange Lock Capscrew, 1/4-10 x 1/2	12
67	1750835	Hanger Assembly R.H.	1
68	1750834	Hanger Assembly L.H.	1
69	• 1100243	Lock Washer 3/8	4
70	1740344	Heat Shield Gasket	1
71	1749712	PTO Guard Ass'y	1
72	• 1186345	Flange Hd. Screw 3/8-16 x 3/4	12
73	• 1186393	Flange Hd. Nut 3/8-16	20
74	• 1186331	Hex Hd. Screw 5/16-18 x 1	2
75	1744451	Anchor Spring	1
76	1703073	Flat Washer	AR
78	1743663	Elbow 45°	1
79	1709224	Flat Washer	AR
80	• 1110644	Hex Screw 3/8-16 x 3-1/4	2

• Common Hardware Purchase Locally (Grade 5 where applicable)

* Order Parts From Your Authorized Kohler Engine Dealer

BOLENS 18 HP TRACTOR



HYDRO AND TRANSAXLE ASSEMBLY

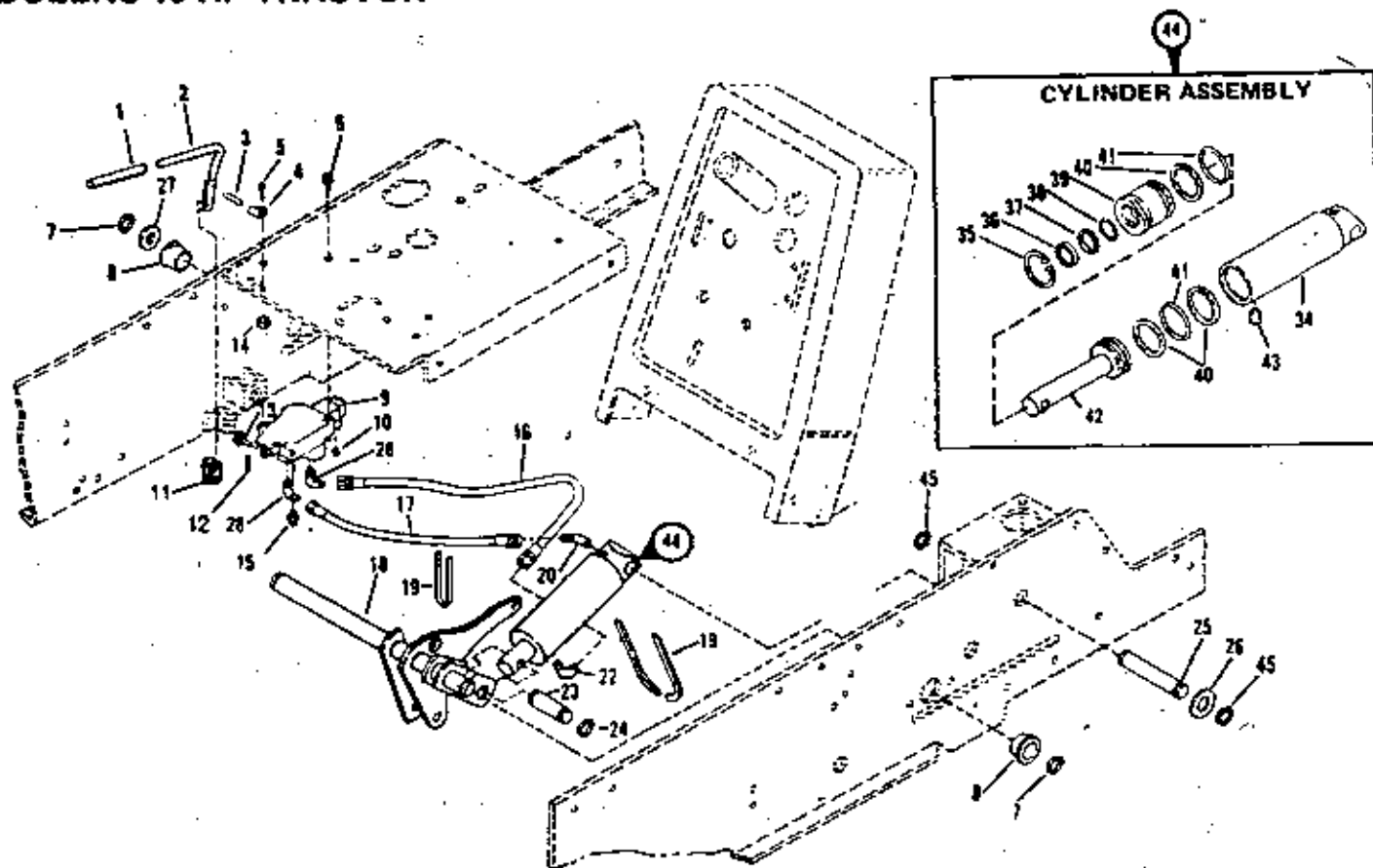
REF. NO.	PART NO.	DESCRIPTION	NO. REQ'D
1	1726450	Filter	1
2	1734345	Manifold, Filter	1
3	1744406	Tube Assembly, Return	1
4	1749855	Tube Assembly, Pump to Valve	1
5	1745147	Eaton Trans. Model 11 (See Page 20 for Breakdown)	1
6	1185737	Elbow 90°	2
7	1100770	Screw, Hex Hd. Cap 3/8-16 x 2-3/4	4
8	1100243	Washer, Lock 3/8	21
9	1188484	Connector	1
10	1729254	Tube Assembly, Suction	1
11	1724390	Elbow, 90°	1
12	1730374	Washer, Shim (.005)	AR
13	1730375	Washer, Shim (.015)	AR
14	1729531	Gear, Bevel Pinion 18T	1
15	1728559	Spacer	1
16	1741832	Screw, Hex Hd. Cap 1/4-20 x 5/8	1
17	1747086	Housing, Transaxle	1
18	1724092	Dipstick	1
19	1724090	Tube	1
20	1733103	Pin, Dowel 5/16	2
21	1188459	Nut, Hex Lock 5/16-18 Grade 8	4
22	1728645	Cover, Differential	1
23	1726648	Gear (A)	2
	1752094	Gear (B)	2
24	1185889	Ring, Retaining	2
25	1185930	Plug, Pipe	1
26	1110189	Pin, Dowel 3/8	8
27	1713488	Pinion (A)	2
	1752095	Pinion (B)	2
28	1118808	Ring, Retaining	2
29	1727641	Shaft, Pinion	1
30	1729972	Carrier, Differential	1
31	1728280	Gear, Axle 47T	1

REF. NO.	PART NO.	DESCRIPTION	NO. REQ'D
32	1733884	Screw, Flange 5/16-18 x 4.00	4
33	1800338	Shim	AR
34	1729497	Spacer, Tubular	1
35	1185730	Race, Thrust	4
36	1185729	Bearing, Thrust	2
37	1727637	Bearing, Needle	4
38	1747062	Axle, R.H.	1
39	1100261	Key, Woodruff	2
40	1186010	Bearing, Needle	2
41	1186002	Race, Thrust	4
42	1729258	Gear Assembly, Cluster	1
43	1185882	Seal, Oil	1
44	1185731	Bearing, Needle	1
45	1724079	Gear	1
46	1100276	Key, Woodruff	1
47	1100279	Key, Woodruff	1
48	1729257	Shaft Assembly, Pinion	1
49	1185764	Bearing, Thrust	1
50	1185774	Bearing, Needle	1
51	1747074	Cover, Transaxle R.H.	1
52	1100047	Screw, Hex Hd. Cap 3/8-16 x 1-1/2	17
53	1185295	Oil Seal	2
54	1747064	Cover, Transaxle L.H.	1
55	1747061	Axle L.H.	1
56	1721989	Connector	2
57	1721921	Coupling	1
58	1188345	Flange Lock Screw 3/8-16 x 3/4	2
59	1724370	Control Shaft Seal	1
60	1724376	Input Shaft Seal	1
61	1724377	Grass Shield	1
62	1749854	Tube Assembly, Filter to Valve	1
63	1705083	Shim (.028)	AR
NI	1728407	Sealant	AR

* Common Hardware-Purchase Locally (Grade 5 where applicable).

(A) Serial Number 0100101 thru 0100735
 (B) Serial Number 0100736 and later

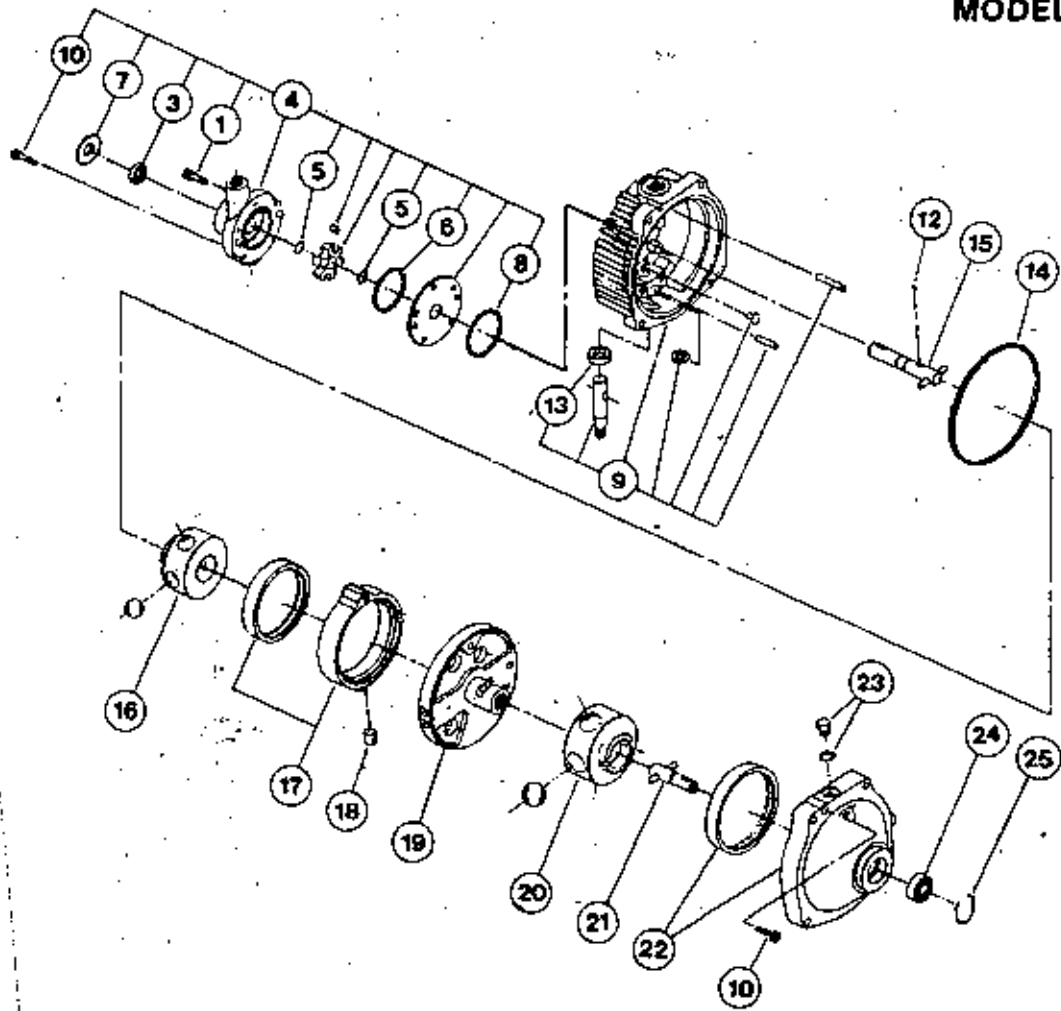
BOLENS 18 HP TRACTOR



REF. NO.	PART NO.	DESCRIPTION	NO. REQ'D
1	1716470	Grip.....	1
2	1749014	Lever, Lift.....	1
3	1185271	Pin, Roll 7/32 x 1-1/8.....	1
4	1732471	Clamp.....	2
5	1115815	Screw, Phil. Hd. No. 10-24 x5/8.....	2
6	1186316	Screw, Hex Hd. Flange Lock 1/4-20 x 2.....	2
7	1118554	Ring, Retaining.....	2
8	1185728	Bushing.....	2
9	1749659	Valve.....	1
	1751209	Replacement Seal Kit.....	1
10	1186389	Nut, Hex Flange Lock 1/4-20.....	2
11	1754374	Link, Connector.....	1
12	1185850	Pin, Cotter 5/64 x 3/4.....	1
13	1749653	Clevis Pin, Roll 1/4 x 1-1/2.....	1
14	1185985	Locknut No. 10-24.....	2
15	1717583	Connector.....	1
16	1733892	Assembly, Hose.....	1
17	1719179	Hose Assembly, Cylinder.....	1
18	1747510	Shaft Assembly, Lift.....	1
19	1805345	Tie, Cable.....	3
20	1185903	Elbow, 45°.....	1

REF. NO.	PART NO.	DESCRIPTION	NO. REQ'D
22	1185739	Elbow, 90°.....	1
23	1747512	Pin, Cyl. Rod.....	1
24	1118808	Ring, Retaining.....	2
25	1724703	Pin, Cyl. Anchor.....	1
26	1708012	Washer, Flat 3/4.....	1
27	1185816	Washer.....	AR
28	1185902	Elbow 45°.....	2
34	1729388	Tube Assembly, Hydraulic Cylinder.....	1
35	1118735	Ring, Internal Retaining.....	1
36	1185288	Seal, Oil.....	1
37	1186019	Ring, Back Up.....	1
38	1177395	O-Ring.....	1
39	1724511	Head, Cylinder.....	1
40	1186018	Ring, Back Up.....	3
41	1186017	O-Ring.....	2
42	1747043	Rod Assembly Hydraulic Cylinder.....	1
43	1186278	Plug, Pipe.....	2
44	1747509	Cylinder Assembly, Hydraulic (Inc. Ref. No. 34 thru 43).....	1
45	1113527	Ring, Retaining.....	2

• Common Hardware Purchase Locally (Grade 5 where applicable)

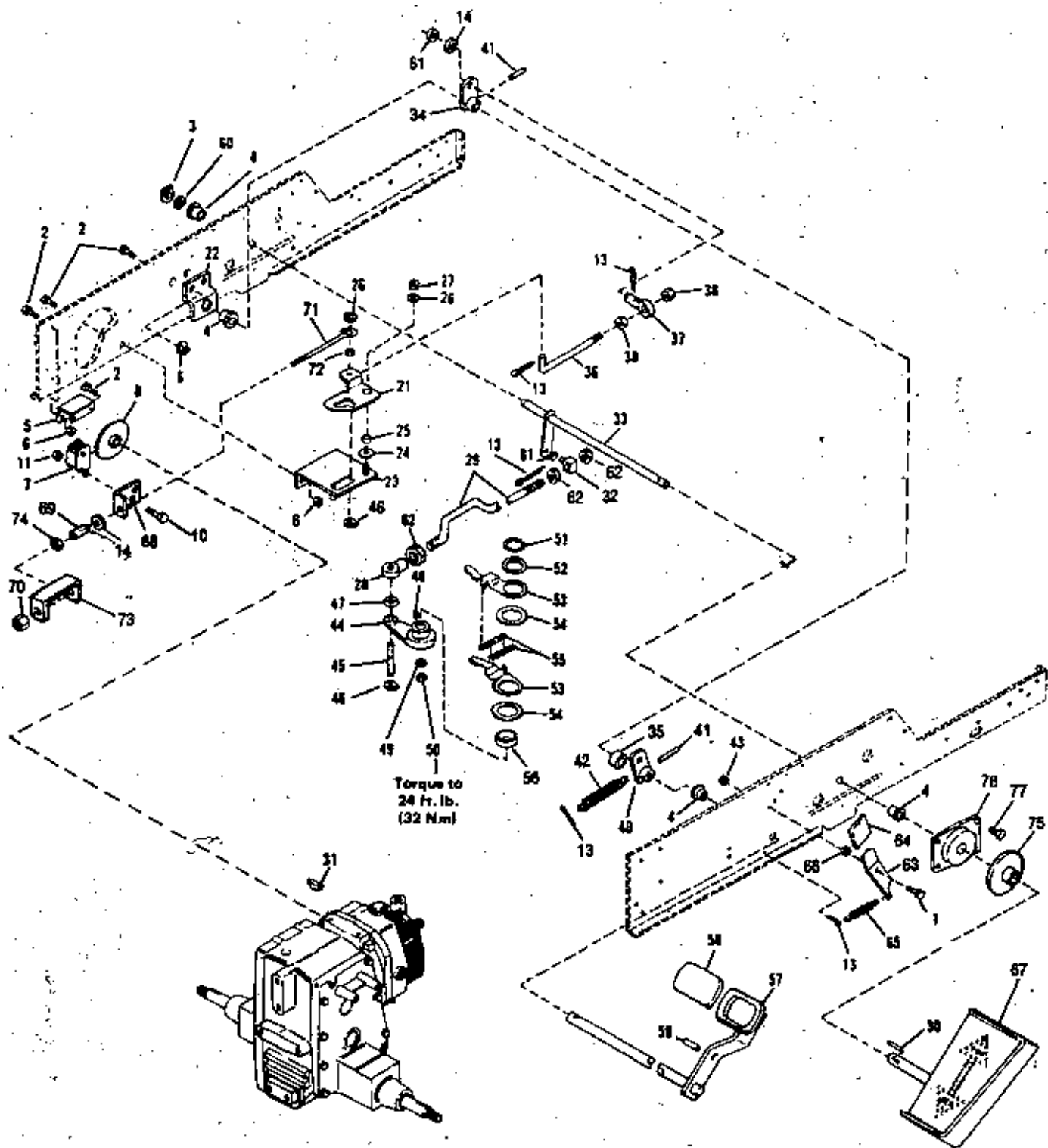


REF. NO.	PART NO.	DESCRIPTION	NO. REQ'D
1		Socket Hd. Capscrew 5/16-18 x 1-3/4 (Incl. with Ref. No. 4)	1
3	1724376	Oil Seal (Incl. with Ref. No. 4)	1
4	1744188	Charge Pump Kit (Incl. Ref. Nos. 1, 3, 5, 6, 7, 8, 10 & 12)	1
5	1724375	Snap Ring (Incl. with Ref. No. 4)	1
6	1744155	Sq. Seal Ring (Incl. with Ref. No. 4)	1
7	1724377	Grass Shield (Incl. with Ref. No. 4)	1
8	1744157	Sq. Seal Ring (Incl. with Ref. No. 4)	1
9	1744154	Cover Sub Ass'y (Incl. Ref. No. 13)	1
10 *		Socket Hd. Capscrew 5/16-18 x 1-1/4 (Incl. with Ref. No. 4)	1

REF. NO.	PART NO.	DESCRIPTION	NO. REQ'D
12	1744158	Drive Pin (Incl. Ref. No. 4)	1
13	1724376	Oil Seal (Incl. Ref. No. 9)	1
14	1744185	Square Seal Ring	1
15	1744160	Input Shaft Sub Ass'y (Keyed)	1
16	1744164	Pump Rotor & Ball Ass'y	1
17	1744184	Cam Ring Assembly	1
18	1744176	Cam Ring Insert	1
19	1744166	Pintle Assembly (Incl. Internal Parts)	1
20	1744177	Motor Rotor & Ball Sub Assembly	1
21	1744010	Output Shaft Sub Ass'y	1
22	1744180	Body Ass'y (Incl. Ref. Nos. 21, 24, 25)	1
23	1744179	O-Ring Plug Sub-Ass'y	1
24	1104440	Ball Bearing (Output)	1
25	1724380	Retaining Ring	1

*Common Hardware - Purchase Locally (Grade 5 where applicable)

BOLENS 18 HP TRACTOR



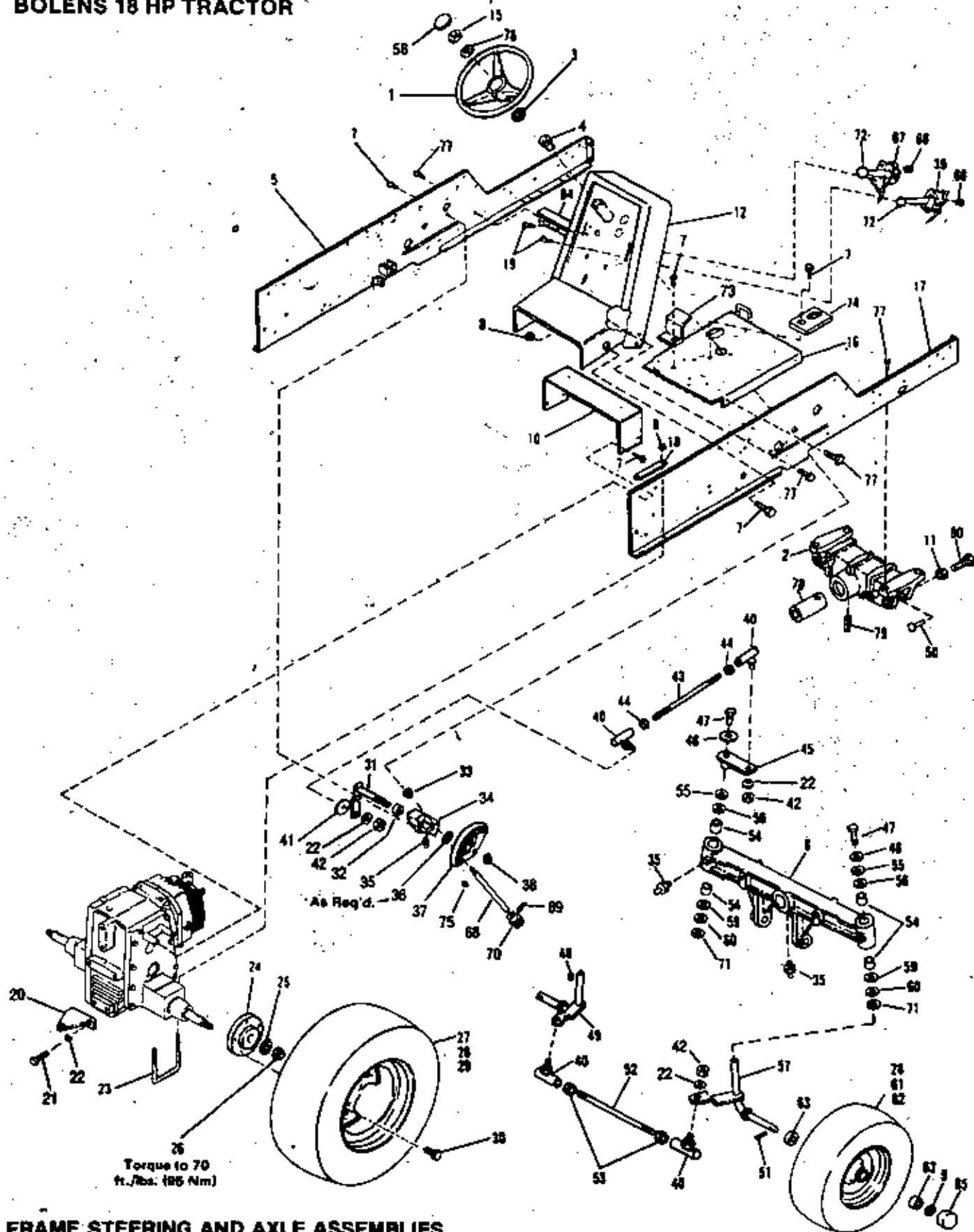
BRAKE AND HYDRO CONTROL ASSEMBLIES

REF. NO.	PART NO.	DESCRIPTION	NO. REQ'D
1 •	1188347	Screw, Hex Hd. Flange Lock 3/8-16 x 1	3
2 •	1188345	Screw, Hex Hd. Flange Lock 3/8-16 x 3/4	6
3	1118808	Ring, Retainer	1
4	1185802	Bearing, Flanged	4
5	1747060	Bracket, Transmission Support	1
6 •	1188393	Nut, Hex Flange Lock 3/8-18	6
7	1732361	Brake Assembly, Mechanical	1
8	1729273	Disc Assembly, Brake	1
10 •	1100805	Screw, Hex Hd. Cap 1/4-20 x 3/4	2
11 •	1188389	Nut, Hex Flange Lock 1/4-20	2
13 •	1100348	Pin, Cotter 3/32 x 3/4	7
14 •	1107382	Washer, Flat 5/16	5
21	1729213	Plate, Neutral	1
22	1737019	Bracket, Brake Shaft	1
23	1729445	Support Assembly, Neutral Plate	1
24	1703052	Washer, Flat	1
25	1732369	Spacer, Tubular	1
26 •	1107383	Washer, Flat 3/8	2
27 •	1110108	Nut, Hex Lock 3/8	1
28	1721812	Rod End	1
29	1747514	Rod, Speed Control	1
30	1185232	Pin Roll 1/8 x 1-1/4	1
31	1751775	Woodruff Key	1
32	1734827	Swivel	1
33	1746134	Shaft Assembly, Speed Control	1
34	1747508	Arm Assembly	1
35	1722957	Spacer	1
36	1747513	Rod, Brake Control	1
37	1747507	Block, Pivot	1
38 •	1188259	Nut, Hex 3/8-18	2
40	1748564	Arm Assembly, Brake	1
41	1732147	Pin, Drive Lock	2
42	1720812	Spring, Extension	1

REF. NO.	PART NO.	DESCRIPTION	NO. REQ'D
43 •	1733398	Locknut 3/8-18	1
44	1722151	Arm, Speed Control	1
45	1734563	Pin, Control	1
46	1116802	Ring, Retaining	2
47	1720699	Block, Cushion	1
48	1104435	Key, Woodruff	1
49 •	1107385	Washer, Flat - 1/2	1
50 •	1110110	Nut, Hex 1/2-13	1
51	1185732	Ring, Retaining	1
52	1720529	Washer, Thrust	1
53	1720523	Arm, Neutralizer	2
54	1720361	Washer, Thrust	2
55	1720928	Spring, Extension	2
56	1720706	Bearing	1
57	1746136	Pedal Assembly, Brake	1
58	1725518	Pad, Pedal	1
59	1120209	Pin, Roll 3/16 x 3/4	1
60	1715301	Thrust Washer	AR
61	1705109	Washer	1
62	1188248	Nut, Hex 7/16-20	3
63	1726352	Lock, Brake	1
64	1728888	Grip	1
65	1728840	Spring, Extension	1
66 •	1188247	Hex Nut, 1/2-20	1
67	1751058	Foot Pedal	1
68	1747496	Ext. Brake Arm	1
69	1747494	Sleeve	1
70 •	1110107	Lock Nut, 5/16-18	1
71	1747495	Brake Rod	1
72	1747497	Spacer	1
73	1748372	Brake Return	1
74	1188258	Jam Nut, 5/16-18	1
75	1738447	Speed Control Disc	1
76	1738482	Clutch	1
77	1738483	Thd. Form Screw	4

• Common Hardware-Purchase Locally (Grade 5 where applicable)

BOLENS 18 HP TRACTOR

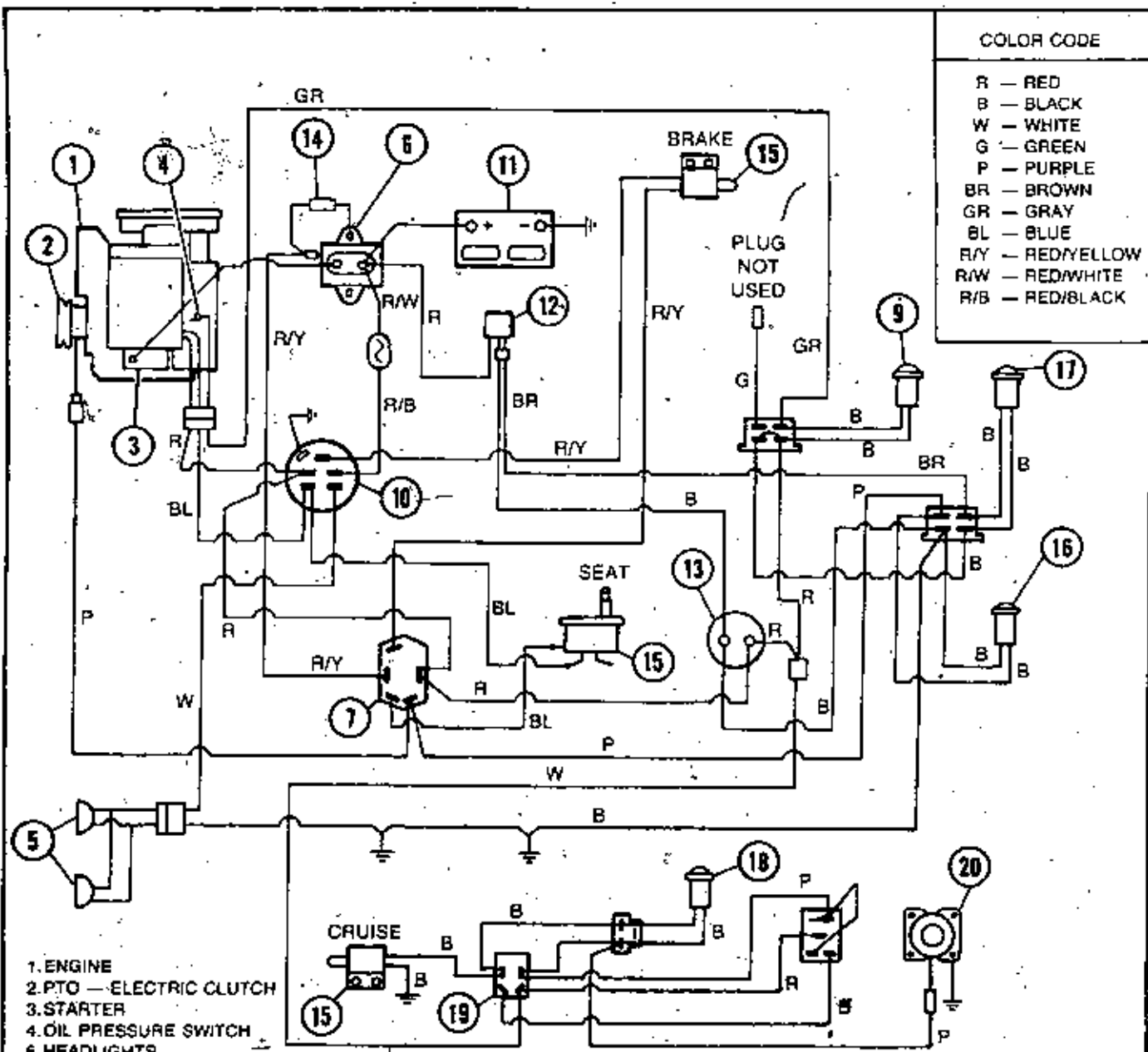


FRAME STEERING AND AXLE ASSEMBLIES

REF. NO.	PART NO.	DESCRIPTION	NO. REQ'D	REF. NO.	PART NO.	DESCRIPTION	NO. REQ'D
1	1736980	Wheel, Steering	1	40	1713361	Joint, Ball	4
2	1751470	Bolster	1	41	1738490	Spacer	2
3	1708012	Washer, Flat	2	42	1110152	Nut, Hex Lock-1/2-20	4
4	1723994	Bearing, Steering	1	43	1744373	Rod, Steering	1
5	1749636	Frame Ass'y, L.H.	1	44	1186247	Hex Nut 1/2-20	2
6	1744346	Front Axle	1	45	1744389	Arm Assembly, Steering	1
7	1186345	Screw, Hex Hd. Flange Lock 3/8-16 3/4	33	46	1186033	Flat Washer 5/16	2
8	1186393	Nut, Flange Lock - 3/8-16	22	47	1186329	Flange Screw 5/16-18 x 3/4	2
9	1715491	Thrust Washer	2	48	1186034	Woodruff Key 1/4 x 7/8	1
10	1747807	Support, Seat	1	49	1744364	Spindle Assembly L.H. Wheel	1
11	1186258	Jam Nut 5/16-18	2	50	1751219	Weld Pin	2
12	1748651	Panel Ass'y, Instrument	1	51	1104222	Cotter Pin 3/16 x 1-1/2	2
15	1110108	Nut, Lock - 3/8-16	2	52	1746136	Rod, Tie	1
16	1749657	Support Ass'y Battery & Gas Tank	1	53	1186247	Nut, Hex - 1/2-20	2
17	1748589	Frame Ass'y, R.H.	1	54	1187181	Flange Bearing	4
18	1730692	Doublet, Rear	2	55	1177365	O-Ring	2
19	1115815	Machine Screw No. 10-24 x 5/8	4	56	1708873	Thrust Washer	2
20	1724698	Draw Bar	2	57	1744367	Spindle Assembly R.H. Wheel	1
21	1100055	Screw, Hex Hd. - 1/2-13 x 1- 1/4	2	58	1746832	Steering Cap	1
22	1100245	Washer, Lock - 1/2	6	59	1185815	Thrust Washer	2
23	1727898	"U" Bolt	2	60	1185729	Thrust Race	2
24	1728679	Hub, Wheel	2	61	1744372	Wheel Assembly	2
25	1708599	Spacer	2	62	1732927	Tire, 16 x 8.50-8	2
26	1120390	Nut, Hex - 3/4-10	2	63	1744375	Bearing, Ball	4
27	1724718	Wheel Assembly	2	64	1735572	Frame Support	1
28	1718086	Valve	4	65	1744396	Cap, Dust	2
29	1732926	Tire, 23 x 10.50 x 12	2	66	1185985	Keps Nut No. 10-24	5
30	0101085	Bolt, Hub	10	67	1736485	Choke Control	1
31	1749695	Arm Assembly, Steering	1	68	1742627	Steering Shaft Ass'y	1
32	1733707	Spacer, Tubular	1	69	1738413	Roll Pin	1
33	1185846	Bushing, Flange	1	70	1736159	Bevel Pinion Gear	1
34	1740753	Bracket, Steering Support	1	71	1727886	Thrust Race	2
35	1185976	Fitting, Grease Thd. Forming	3	72	1724527	Knob	2
36	1733442	Washer, Shim	AR	73	1746621	Tank Clamp	1
37	1733441	Gear, Steering	1	74	1746622	Cover	1
38	1185849	Ring, Retaining	1	75	1104436	Woodruff Key 3/16 x 3/4	1
39	1736464	Throttle Control	1	76	1107383	Flat Washer 3/8	1
				77	1186347	Flange Screw 3/8-16 x 1	16
				78	1744374	Tube Pivot	1
				79	1733103	Roll Pin 5/16 x 3/4	1
				80	1100045	Hex Hd. Screw 5/16-18 x 1	2

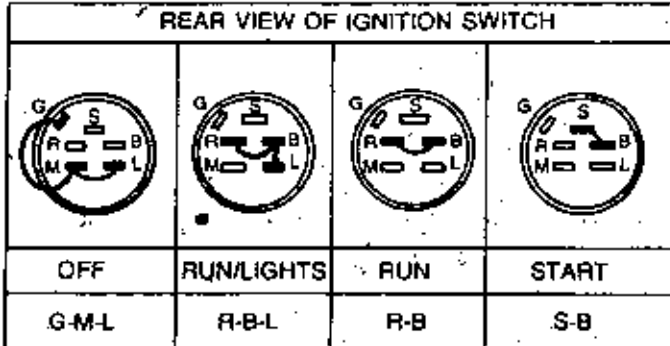
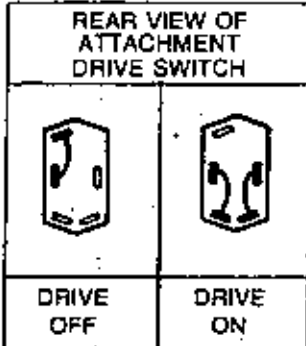
* Common Hardware Purchase Locally (Grade 5 where applicable).

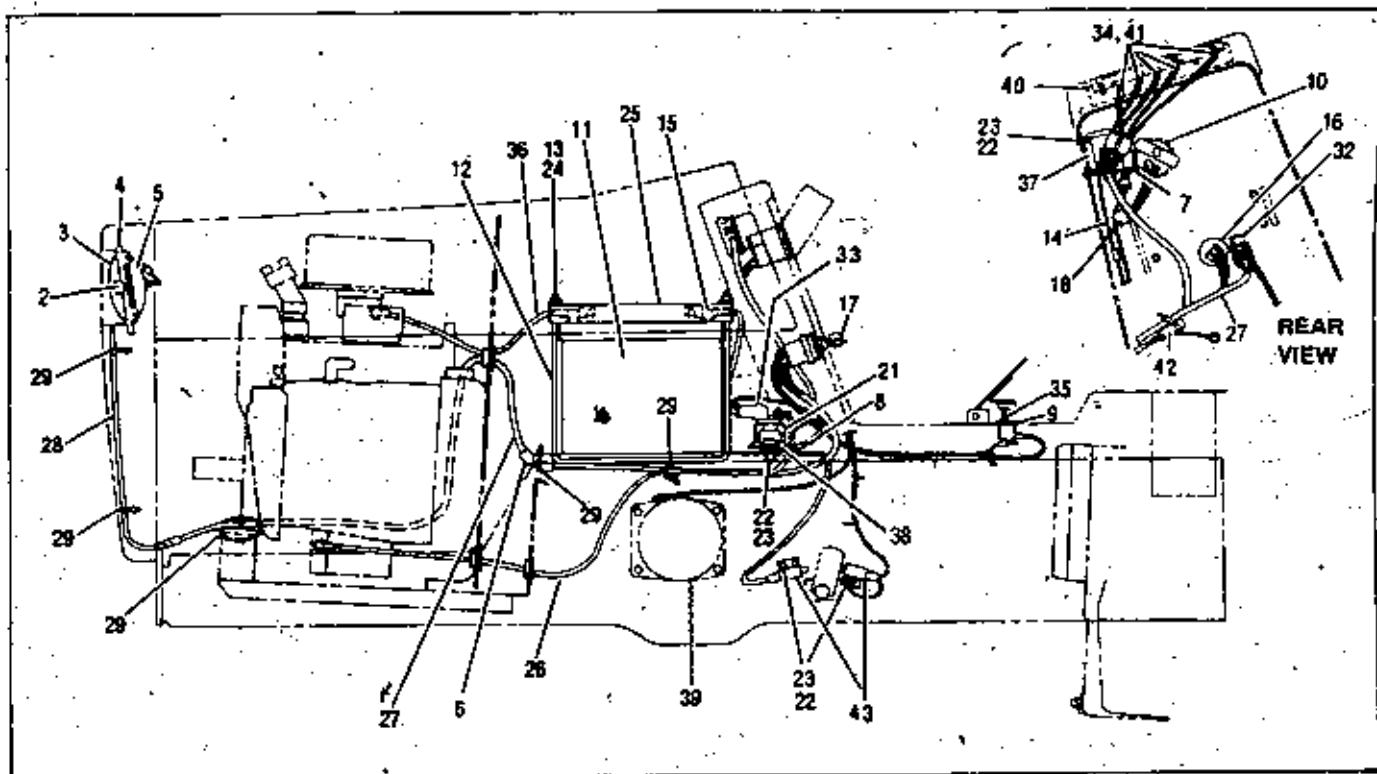
WIRING DIAGRAM (Model 5018H)



- 1. ENGINE
- 2. PTO — ELECTRIC CLUTCH
- 3. STARTER
- 4. OIL PRESSURE SWITCH
- 5. HEADLIGHTS
- 6. SOLENOID
- 7. ATTACHMENT DRIVE SWITCH
- 8. FUSE — 25 AMP
- 9. OIL PRESSURE LIGHT
- 10. IGNITION SWITCH
- 11. BATTERY
- 12. VOLTAGE SENSOR
- 13. HOURMETER
- 14. CAPACITOR
- 15. INTERLOCK SWITCH
- 18. PTO LIGHT
- 17. BATTERY LIGHT
- 18. CRUISE LIGHT
- 19. CRUISE SWITCH
- 20. CRUISE CLUTCH

COLOR CODE	
R	— RED
B	— BLACK
W	— WHITE
G	— GREEN
P	— PURPLE
BR	— BROWN
GR	— GRAY
BL	— BLUE
R/Y	— RED/YELLOW
R/W	— RED/WHITE
R/B	— RED/BLACK



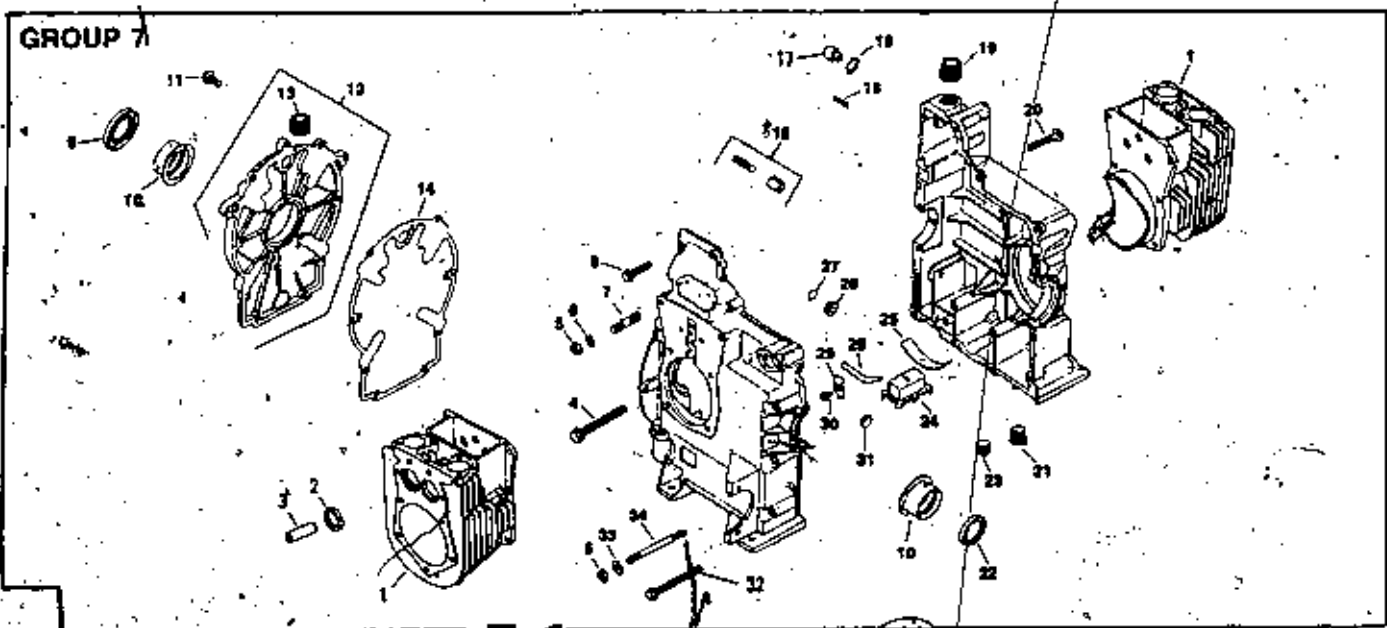
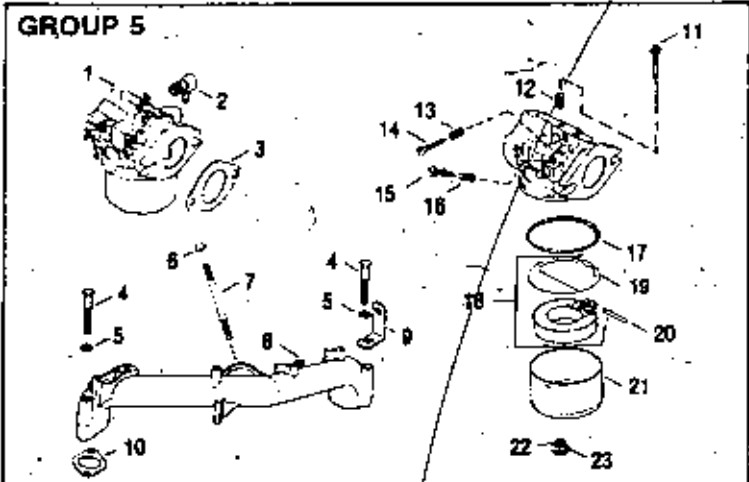
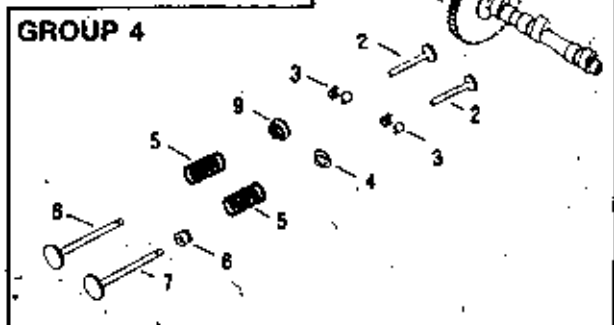
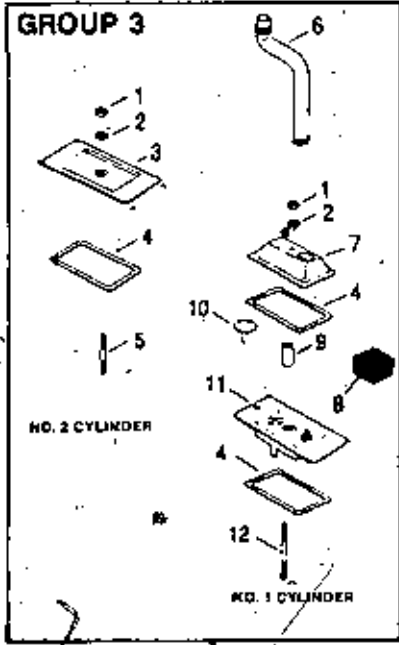
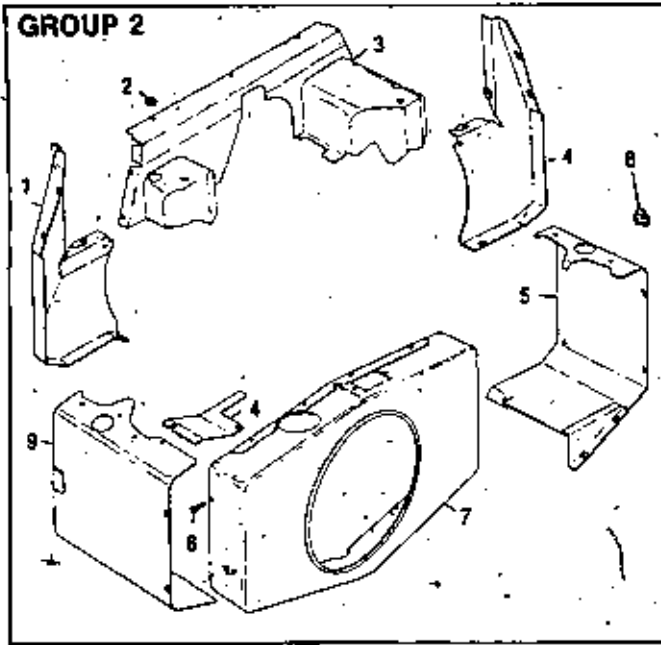
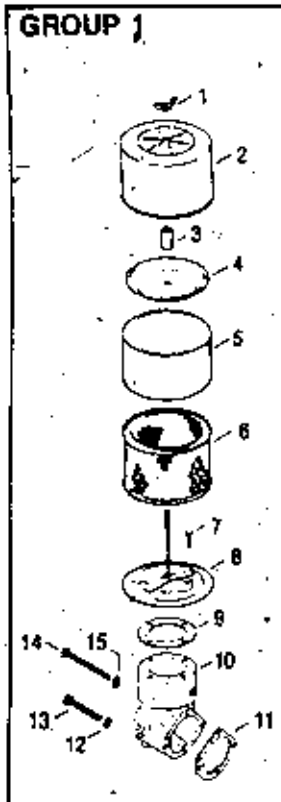


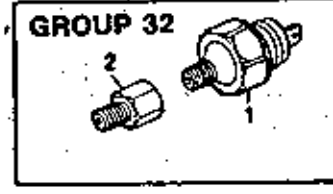
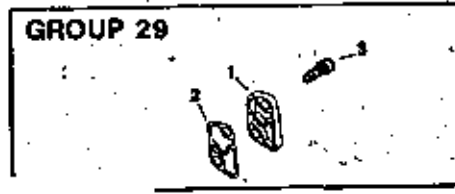
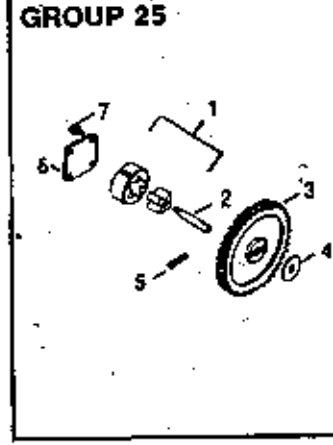
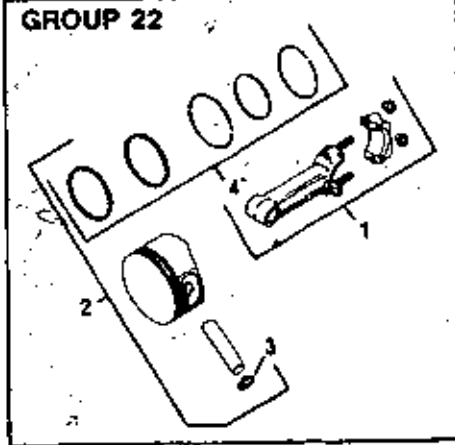
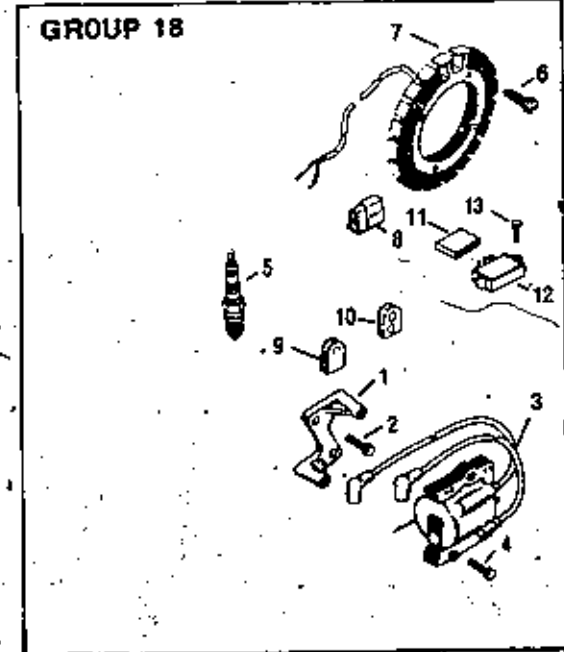
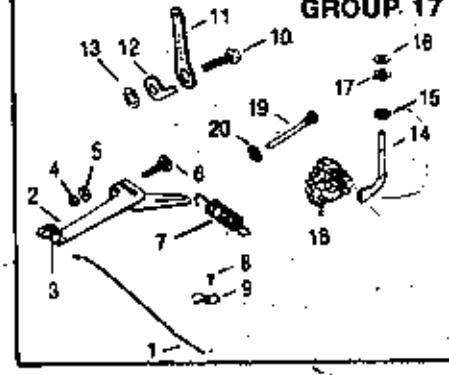
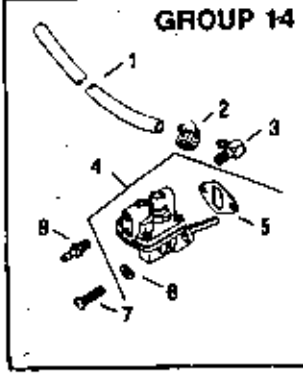
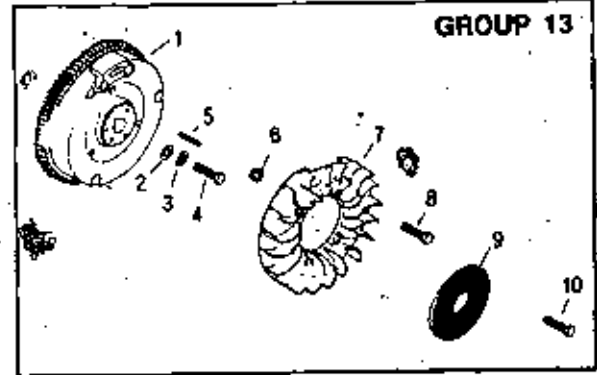
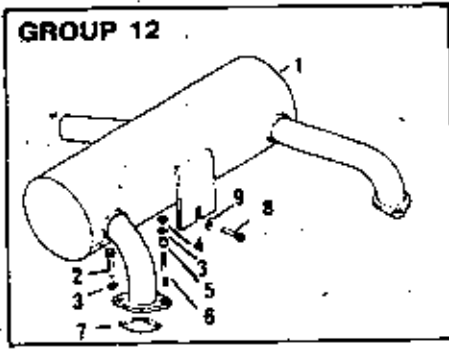
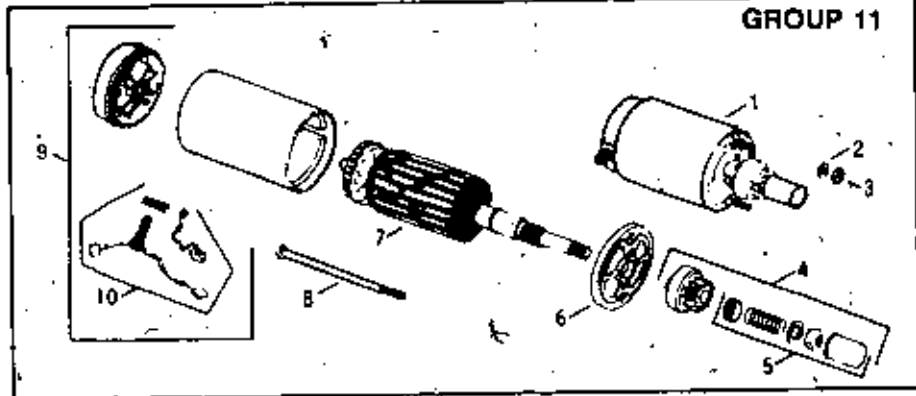
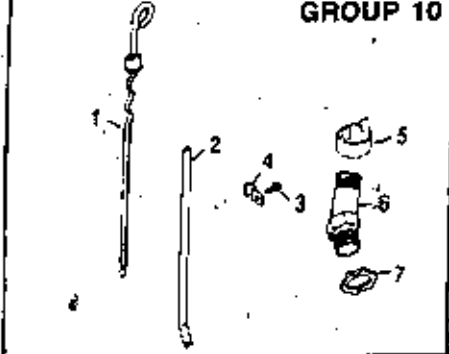
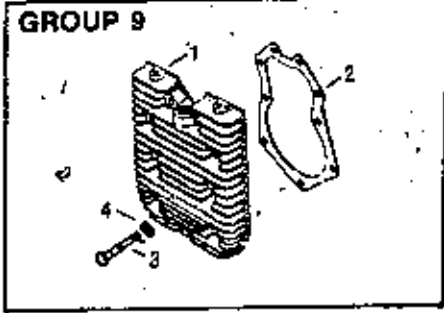
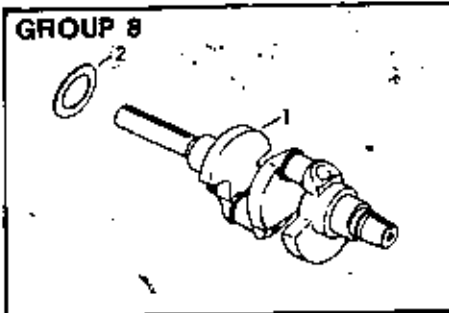
REF. NO.	PART NO.	DESCRIPTION	NO. REQ'D
1	1721252	J-Clip	1
2	1727379	Rivet, Pop 3/16 x 3/8	4
3	1726435	Headlight	2
4	1806805	Plate, Retainer	2
5	1806808	Retainer	2
6	1752408	Plastic	1
7	1732374	Switch, Cruise	1
8	1749835	Grommet	1
9	1734366	Switch	1
10	1748719	Hour Meter	1
11	1751498	Battery, 12 Volt	1
12	1740804	Hold Down Rod	2
13	1107381	Flat Washer 1/4	2
14	1749492	Cruise Harness	1
15	1746410	Cable, Battery Pos	1
16	1754183	Switch, Ignition	1
17	1753986	Key, Ignition	1
18	1743516	Fuse (30 AMP)	1
21	1740056	Solenoid	1
22	1115815	Screw, Phil. No. 10-24 x 5/8	4
23	1185958	Nut, Keps Lock No. 10-24	4

REF. NO.	PART NO.	DESCRIPTION	NO. REQ'D
24	1734398	Locknut 1/2-20	2
25	1739631	Battery Hold Down	1
26	1732581	Cable, Starter	1
27	1750845	Harness Main	1
28	1727169	Harness Headlight	1
29	1805345	Cable, Tie	10
32	1734356	Switch PTO	1
33	1715012	Electrical Nipple	1
34	1735265	Bulb (Mfg. No. GE 73)	4
35	1734472	Switch Seal	1
36	1725373	Cable, Battery Neg. to Engine Mount	1
37	1745666	Relay	1
38	1742113	Capacitor	1
39	1738462	Clutch	1
40	1749487	Retaining Strip	1
41	1748085	Lamp Ass'y.	4
42	1749032	Voltage Sensor	1
43	1748723	Interlock Switch	2

* Common Hardware Purchase Locally (Grade 5 where applicable)

BOLENS 18 HP TRACTOR





BOLENS 18 HP TRACTOR

ORDER PARTS FROM YOUR LOCAL KOHLER ENGINE DEALER

REF. NO.	PART NO.	DESCRIPTION	REF. NO.	PART NO.	DESCRIPTION
AIR INTAKE-GROUP 1					
1	X-276-7	Wing Nut 1/4-20	2	25 155 02	Connector, 90° Hose
2	45 082 01	Cover, Air Cleaner	3	271030	Gasket, Carburetor
3	231032	Seal, Element Cover	4	X-6-8	Screw, H.C. 5/16-18 x 2-3/4 (4)
4	52 082 04	Cover, Air Cleaner Element	5	X-21-1	Washer, Lock 5/16 (4)
5	45 083 01	Precleaner	6	X-77-2	Nut, Hex. Jam 5/16-18 (2)
6	45 083 02	Element	7	X-352-37	Stud 5/16-18 x 1 (2)
7	X-67-98	Screw, Slt'd. Hex. Wash. Hd. 10-32 x 9/16 (4)	8	52 164 06	Manifold, Intake
8	52 094 06	Base, Air Cleaner	9	52 445 02	Strap, Lifting (2)
9	277093	Gasket, Air Cleaner	10	52 041 09	Gasket, Intake Manifold (2)
10	52 054 15	Elbow, Air Intake	11	52 103 01	Needle, Main Fuel Adj.
11	277059	Gasket, Air Intake Elbow	12	200383	Spring, Main Fuel
12	X-22-9	Washer, I.T. #10 (2)	13	232555	Spring, Idle Speed
13	X-50-57	Screw, Slt'd. Pan Hd. 10-32 x 1-1/2 (2)	14	232556	Screw, Idle Speed Adj.
14	X-50-37	Screw, Slt'd. Pan Hd. 10-32 x 2-1/4	15	277210	Needle, Idle Fuel Adj.
15	X-25-79	Washer, Plain #10	16	200380	Spring, Idle Fuel
BAFFLES & SHROUD-GROUP 2					
1	52 281 09	Duct, #2 Side Air	17	200375	Gasket, Bowl
2	X-82-2	Nut, Hex. 5/16-18 (2)	18	25 757 03	Kit, Float
3	52 282 01	Cover, Air Duct	19	25 041 02	Gasket, Bowl Baffle
4	52 281 14	Duct, #1 Side Air	20	200376	Pin, Float Hinge
5	X-301-8	Plug, Button (2)	21	235448	Bowl, Fuel
6	52 063 12	Baffle, #1 Cylinder Head	22	47 100 06	Screw, Bowl Retainer
7	52 027 19	Housing, Blower	23	200372	Gasket, Bowl Ret. Screw
8	X-87-83	Screw, Hex. Wash. Hd. 1/4-20 x 7/16 (26)		25 757 02	Kit, Carburetor Repair
9	52 124 30	Baffle, #2 Cylinder Head		25 757 05	Kit, Throttle & Choke Repair
10	52 063 01	Baffle, #2 Cylinder Top	CRANKCASE-GROUP 7		
BREATHER & VENT-GROUP 3					
1	X-81-1	Nut, Hex. 1/4-20 (2)	1	52 755 51	Kit, Cylinder Barrel (2)
2	X-25-12	Washer, Plain 1/4 (2)	2	230265	Insert, Valve Seat (4)
3	52 096 18	Cover, #2 Cylinder Valve	3	52 316 06	Guide, Valve (4)
4	52 055 01	Gasket, Valve Cover (3)	4	25 086 13	Screw, Hex. Flange 3/8-16 x 3-5/8 (2)
5	X-352-39	Stud, #2 Cyl. Valve Cover 1/4-20 x 2-1/4	5	X-82-2	Nut, hex. 5/16-18 (16)
6	52 326 05	Hose, Breather	6	52 468 12	Washer, Flat (12)
7	52 098 08	Cover, #1 Upper Cylinder Valve	7	52 072 12	Step Stud 5/16-18 x 3/4", 3/8-16 x 5/8", 2" Long (12)
8	231419	Filter, Breather	8	25 086 10	Screw, Hex. Flange 5/16-18 x 1-1/2 (3)
9	52 032 04	Seal, Breather	9	X-583-5	Seal, Rear Oil
10	52 462 01	Valve, Umbrella	10	52 030 10	Bearing, Sleeve (Std.) (2)
11	52 096 22	Cover, #1 Lower Cylinder Valve		52 030 11	Bearing, Sleeve (.010) (2)
12	275220	Stud, #1 Cyl. Valve Cover 1/4-20 x 3-1/4		52 030 12	Bearing, Sleeve (.020) (2)
CAMSHAFT & VALVES-GROUP 4					
1	52 012 07	Camshaft	11	X-802-9	Screw, Wash. Hd. 5/16-18 x 1 (9)
2	52 019 03	Tappet (4)	12	52 755 56	Kit, Closure Plate
3	41 755 10	Kit, Retainer (4)	13	X-75-23	Plug, hex. Ctsk. 1/8 N.P.T.F.
4	230011	Retainer, Valve Spring (2)	14	52 041 15	Gasket, Closure Plate
5	23 089 01	Spring, Valve (4)	15	52 755 50	Kit, Oil Relief
6	52 032 13	Seal, Intake Valve Stem (2)	16	X-269-43	Ring, Retaining
7	52 017 08	Valve, Intake (2)	17	52 078 02	Shaft, Governor
8	52 016 02	Valve, Exhaust (2)	18	X-599-4	Pin, Drive Lock 7732 x 11 (4)
9	52 413 01	Rotator Valve (2)	19	52 139 07	Plug, Pip 1/16 x 27 N.P.T.F.
CARBURETOR-GROUP 5					
1	52 053 09	Carburetor Assembly (Includes 11-23)	20	25 086 12	Screw, Hex. Flange 5/16-18 x 2 (2)
			21	X-75-10	Plug, Solid Sq. Hd. 3/8 N.P.T.F.
			22	52 032 10	Seal, Front Oil
			23	X-75-32	Plug, Hex. Ctsk. 3/8 N.P.T.F. (2)
			24	52 095 03	Housing, Oil Pickup
			25	52 237 02	Clamp, Spring
			26	52 139 08	Plug 3/4" O.D.
			27	52 141 02	O-Ring
			28	52 123 10	Tube, Oil Pickup
			29	52 237 05	Clamp, Tube
			30	X-67-64	Screw, Hex. Wash. Hd. 10-32 x 7/16
			31	X-702-15	Plug, Cup 5/16

ORDER PARTS FROM YOUR LOCAL KOHLER ENGINE DEALER

REF. NO.	PART NO.	DESCRIPTION	REF. NO.	PART NO.	DESCRIPTION
32	25 086 11	Screw, Hex, Flange 5/16-18 x 3-1/2 (6)	8	25 086 21	Screw, Hex, Wash. Hd. 1/4-20 x 5/8 (4)
33	41 468 01	Washer, Plain (4)	9	25 162 03	Screen, Grass
34	X-352-33	Stud 5/16-18 x 4-1/8 (2)	10	X-159-2	Screw, H.C. 3/8-16 x 1 (4)
		CRANKSHAFT-GROUP 8			FUEL PUMP-GROUP 14
1	52 014 66	Crankshaft (2-51/64" x 1-1/8" Tapped P.T.O)	1	52 353 04	Fuel Line 6-3/4"
2	52 468 03	Washer, Thrust .119/.122 (A.R.)	2	X-426-9	Clamp, Hose (2)
	52 468 04	Washer, Thrust .128/.131	3	25 155 02	Connector, 90° Hose
	52 468 05	Washer, Thrust .137/.140 (A.R.)	4	52 559 01	Pump, Fuel Assembly
		CYLINDER HEAD-GROUP 9	5	52 041 17	Gasket, Fuel Pump
1	52 015 08	Head, Cylinder (2)	6	X-25-63	Washer, Plain 1/4 (2)
2	52 041 18	Gasket, Head (2)	7	47 086 08	Screw, Pozidriv T.H. 1/4-20 x 5/8 (2)
3	41 086 02	Screw, Hex, Hd. 5/16-18 x 1-1/2 (18)	8	X-380-1	Connector, Straight Hose
4	220534	Washer, Plain 5/16 (18)			GOVERNOR-GROUP 17
		DIPSTICK-GROUP 10	1	52 354 03	Link, Governor
1	52 038 04	Dipstick, Oil Level 11-1/4"	2	52 187 02	Arm, Governor Assembly (Includes 3)
2	52 123 09	Tube, Oil Level 7-11/16"	3	45 158 03	Bushing
3	X-67-64	Screw, Hex, Wash. Hd. 10-32 x 3/8	4	X-81-1	Nut 1/4-20
4	52 154 01	Tube, Clip	5	X-25-72	Washer, Plain 1/4
5	52 173 01	Cap, Pipe	6	52 211 04	Screw, R.H. Sq. Neck 1/4-20 x 1
6	52 134 04	Tube, Oil Fill	7	52 091 04	Spring, Governor
7	X-427-1	Nut, Lock 3/4 I.P.	8	X-67-97	Screw, Hex, Wash. Hd. 10-24 x 7/16 (2)
		ELECTRIC START-GROUP 11	9	235778	Clamp, Cable (2)
1	52 098 03	Starter Assembly (Includes 4-10)	10	X-5-1	Screw, H.C. 1/4-20 x 5/8
2	X-20-1	Washer, Lock 1/4 (2)	11	52 119 01	Lever, Speed Control
3	X-81-1	Nut, Hex. 1/4-20 (2)	12	234814	Stop, Governor
4	52 755 05	Kit, Drive	13	X-22-12	Washer, I.T./E.T. 1/4
5	52 755 08	Kit, Drive Parts	14	52 078 04	Shaft, Governor Cross
6	52 227 01	Cap, Drive End	15	X-25-102	Washer, Plain 1/4
7	52 170 02	Armature	16	X-25-63	Washer, Plain 1/4 (2)
8	52 211 01	Bolt, Thru (2)	17	X-269-28	Retainer, Governor
9	48 227 04	Cap, Commutator End	18	A-235743-5	Kit, Governor Gear
10	48 755 15	Kit, Brush	19	231355	Pin, Governor Stop
	25 450 03	Tag, Caution	20	X-25-12	Washer, Plain 1/4
		EXHAUST-GROUP 12			IGNITION-GROUP 18
1	52 068 11	Muffler	1	52 126 08	Bracket, Module
2	X-55-6	Screw, Hex, Socket Hd. Cap 5/16-18 x 3/4 (2)	2	25 086 16	Screw, Hex, Wash. Hd. 1/4-20 x 7/8 (2)
3	X-21-1	Washer, Lock 5/16 (4)	3	52 584 01	Ignition Module
4	X-82-2	Nut, hex. 5/16-18 (2)	4	25 086 15	Screw, Hex, Wash. Hd. 1/4-20 x 1 (2)
5	52 112 08	Spacer 2-1/4" (2)	5	51 132 02	Spark Plug (2)
6	52 072 13	STud 5/16-18 x 4 (2)	6	X-67-51	Screw, Hex, Wash. Hd. 10-24 x 3/4 (4)
7	52 041 14	Gasket, Exhaust Manifold (2)	7	237878	Kit, Stator
8	X-132-5	Screw, H.C. Sems 1/4-20 x 5/8	8	236473	Connector
9	X-25-73	Washer, Plain 1/4	9	220297	Grommet
		FLYWHEEL-GROUP 13	10	52 313 02	Grommet
1	52 025 36	Flywheel	11	238602	Connector-Rectifier Regulator
2	52 114 02	Washer	12	41 403 05	Rectifier Regulator
3	X-22-1	Washer, Lock 3/8	13	X-5-3	Screw, H.C. 1/4-20 x 7/8 (2)
4	25 086 04	Screw, Hex, Mach. 3/8-24 x 1-1/4		52 518 15	Lead, Module to Connector (12" - 18 Gauge - Insulated Push-on Tab and Uninsulated Push-on Tab Terminals)
5	X-286-17	Key, Square 3/16 x 1-3/8		25 518 05	Lead, Rectifier Regulator (5" - 14 Gauge - Uninsulated Push-on Tab Terminals)
6	25 112 04	Spacer 1/8" (4)			
7	25 157 01	Fan			

REF. NO.	PART NO.	DESCRIPTION	REF. NO.	PART NO.	DESCRIPTION
		PISTON & ROD-GROUP 22			OIL FILTER-GROUP 29
1	52 067 67	Connecting Rod (Std.) (2)	1	52 485 03	Adapter, Cover
	52 067 68	Connecting Rod (.010) (2)	2	52 041 16	Gasket, Cover
2	52 874 11	Piston w/Ring Set (Std.) (2)	3	X-55-15	Screw, Hex. Socket Hd. Cap 5/16-18 x 1-1/4 (2)
	52 874 12	Piston w/Ring Set (.003) (2)			LOW OIL PRESSURE SWITCH-
	52 874 13	Piston w/Ring Set (.010) (2)			GROUP 32
	52 874 14	Piston w/Ring Set (.020) (2)	1	52 099 06	Oil Pressure Switch
	52 874 15	Piston w/Ring Set (.030) (2)	2	52 158 05	Reducer
3	230004	Retainer, Piston Pin (4)		52 518 13	Lead (16" - 18 Gauge - Insulated Push-on Tab and Uninsulated Push-on Tab Terminals)
4	52 108 09	Ring Set (Std. & .003) (2)			
	52 108 10	Ring Set (.010) (2)		52 755 53	Gasket Set
	52 108 11	Ring Set (.020) (2)		52 522 74	Short Block
	52 108 12	Ring Set (.030) (2)			
		OIL PUMP-GROUP 25			
1	52 393 09	Rotor Set			
2	52 144 05	Shaft, Oil Pump			
3	52 043 05	Gear, Oil Pump			
4	52 422 01	Spacer (AR Max. 2)			
5	X-280-25	Pin, Roll			
6	52 096 03	Cover, Oil Pump			
7	X-67-84	Screw, Hex. Wash. Hd. 10-32 x 7/16 (4)			