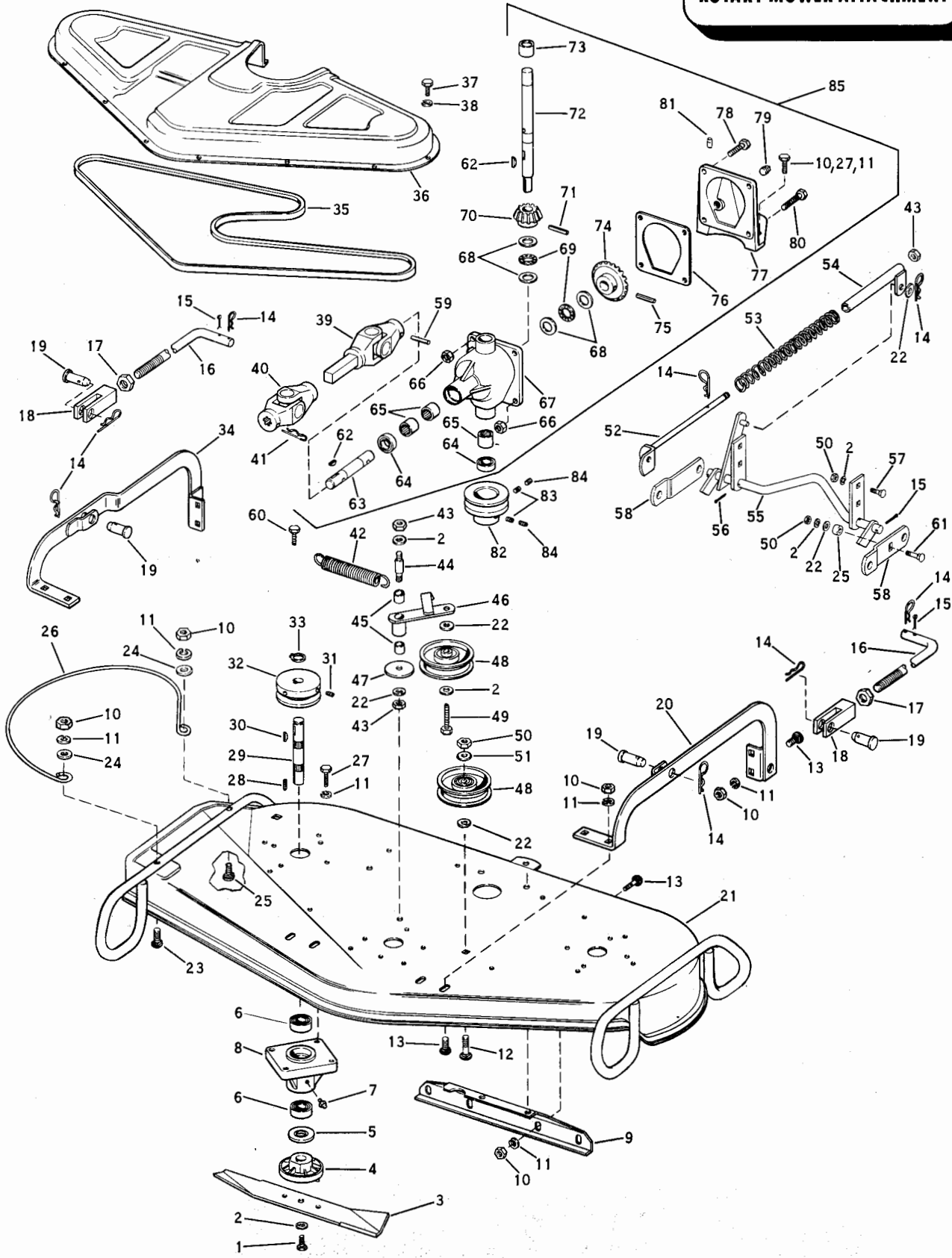


ILLUSTRATED PARTS LIST

BOLENS
MODEL 18442-02
32 INCH CENTER MOUNTED
ROTARY MOWER ATTACHMENT



ROTARY MOWER MODEL 18442-02

Ref. No.	Part No.	Description	No. Req'd.
1	1111709	Capscrew	3
2	1100243	Lockwasher 3/8	13
3	1715289	Blade	3
4	1711879	Blade Hub	3
5	1712566	Slinger	3
6	1120502	Ball Bearing	6
7	1110086	Grease Fitting	3
8	1714734	Bearing Housing	3
9	1716313	Support	1
10	1103839	Hex Nut 5/16-18	16
11	1100242	Lockwasher 5/16	19
12	1106933	Capscrew 3/8-16 x 2-1/4	1
13	1111265	Carriage Bolt 5/16-18 x 3/4	10
14	1703011	Spring Cotter	9
15	1100350	Cotter Pin 1/8 x 1	6
16	1714544	Link Rod	2
17	1108891	Jam Nut 5/16-28	2
18	1714573	Rod End	2
19	1713553	Clevis Pin	4
20	1714865	Bail, L.H.	1
21	1716306	Base	1
22	1107383	Flat Washer 3/8	5
23	1111267	Carriage Bolt 5/16-18 x 1-1/4	2
24	1100255	Flat Washer 5/16	2
25	1718080	Spacer	2
26	1716305	Blade Guard	1
27	1106876	Capscrew 5/16-18 x 7/8	14
28	1185188	Sq Key 3/16 x 7/8	3
29	1714759	Shaft	3
30	1104436	Woodruff Key 3/16 x 3/4	3
31	1103470	Set Screw 5/16-18 x 1/2	6
32	1714758	Pulley	3
33	1118809	Retaining Ring	3
34	1718105	Bail, R.H.	1
35	1716307	Belt 70.3"	1
36	1715548	Belt Guard	1
37	1106830	Capscrew 1/4-20 x 1/2	12
38	1100241	Lockwasher 1/4	12
*39	1714728	Universal Drive (See Note)	1
*40	1715008	Universal Joint	1
41	1716369	Cotter Pin (Spec)	1
42	1701322	Spring	1
43	1110108	Locknut 3/8-16	3

Ref. No.	Part No.	Description	No. Req'd.
44	1715537	Stud	1
45	1715538	Bushing	2
46	1716894	Idler Arm	1
47	1893445	Flat Washer	1
48	1714742	Idler Puller	2
49	1107207	Capscrew 3/8-24 x 1-1/4	1
50	1103840	Hex Nut 3/8-16	5
51	1711284	Spacer	1
52	1714868	Guide	1
53	1714872	Spring	1
54	1714871	Tube	1
55	1718083	Lift Arm	1
56	1100350	Cotter Pin 1/8 x 1	4
57	1111285	Carriage Bolt 3/8-16 x 1	5
58	1718085	Adjusting Arm	2
59	1185220	Roll Pin 3/16 x 1-1/2	1
60	1715809	Anchor Bolt	1
61	1111286	Carr. Bolt 3/8-16 x 1-1/4	2
62	1104436	Woodruff Key 3/16 x 3/4	2
63	1713676	Shaft	1
64	1185296	Seal	2
65	1185010	Needle Bearing	3
66	1110107	Locknut 5/16-18	4
67	1716345	Gear Case Only	1
68	1185432	Thrust Race	4
69	1185431	Thrust Bearing	2
70	1713664	Gear, 16T	1
71	1185348	Roll Pin 1/4 x 1-1/4	1
72	1714754	Shaft	1
73	1713665	Needle Bearing	1
74	1713663	Gear, 23T	1
75	1185284	Roll Pin 1/4 x 2	1
76	1713662	Gasket	1
77	1716386	Cover	1
78	1106878	Capscrew 5/16-18 x 1	2
79	1105678	Plug	1
80	1106882	Capscrew 5/16-18 x 1-1/4	2
81	1185626	Air Vent Fitting	1
82	1714762	Pulley	1
83	1185550	Set Screw 3/8-16 x 5/16	2
84	1185551	Lock Screw 3/8-16 x 3/16	2
85	1716412	Gear Case Assy.	1

- * 1714207 Repair Kit for Joint Marked 6N
- * 1714208 Repair Kit for Joint Marked NEAPCO

NOTE: If mower is used on a model 600 Husky Tractor, a 1716309 Universal Drive is required.



BOLENS

PORT WASHINGTON WISCONSIN, U.S.A.