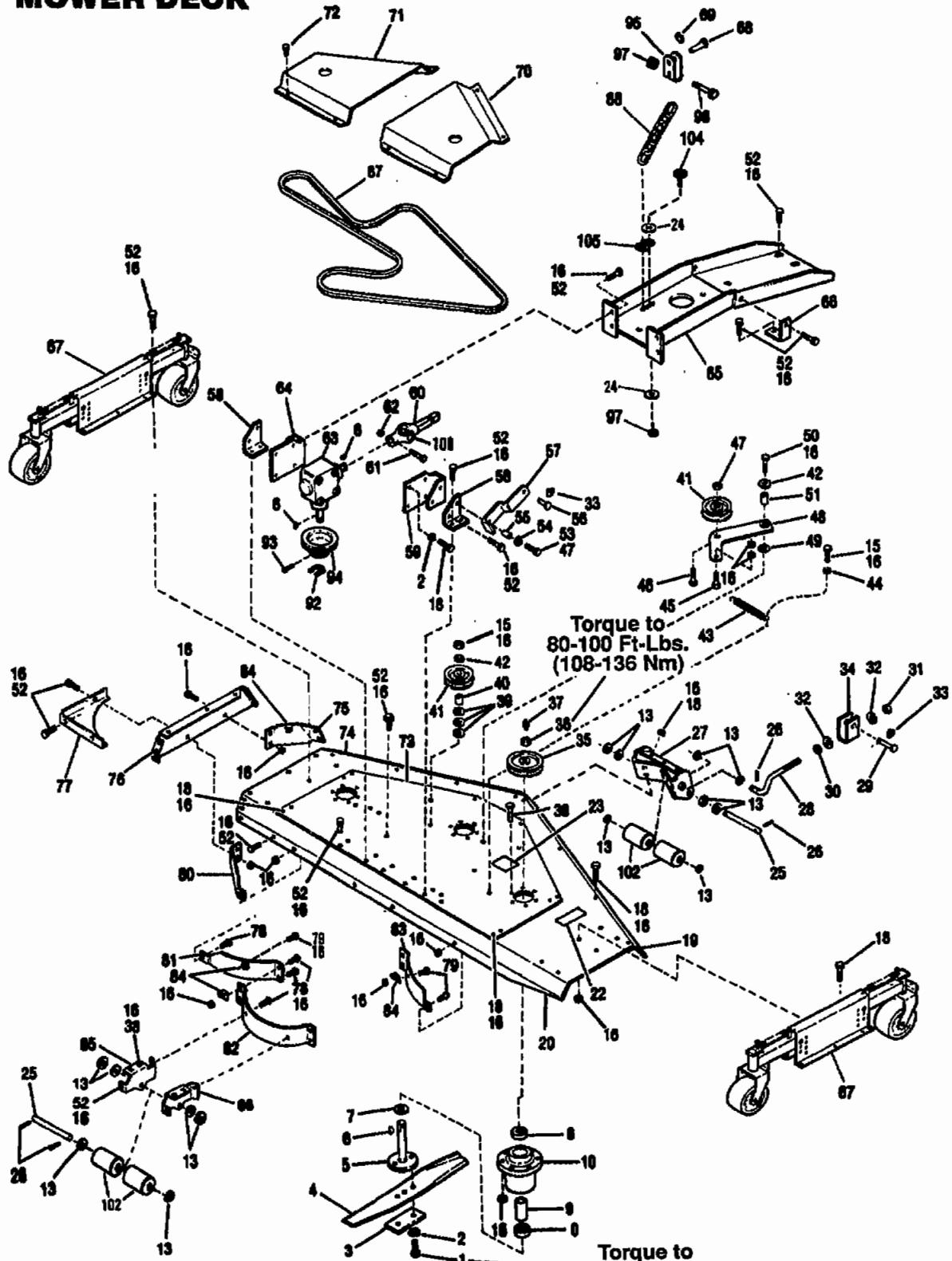


60" MOWER DECK



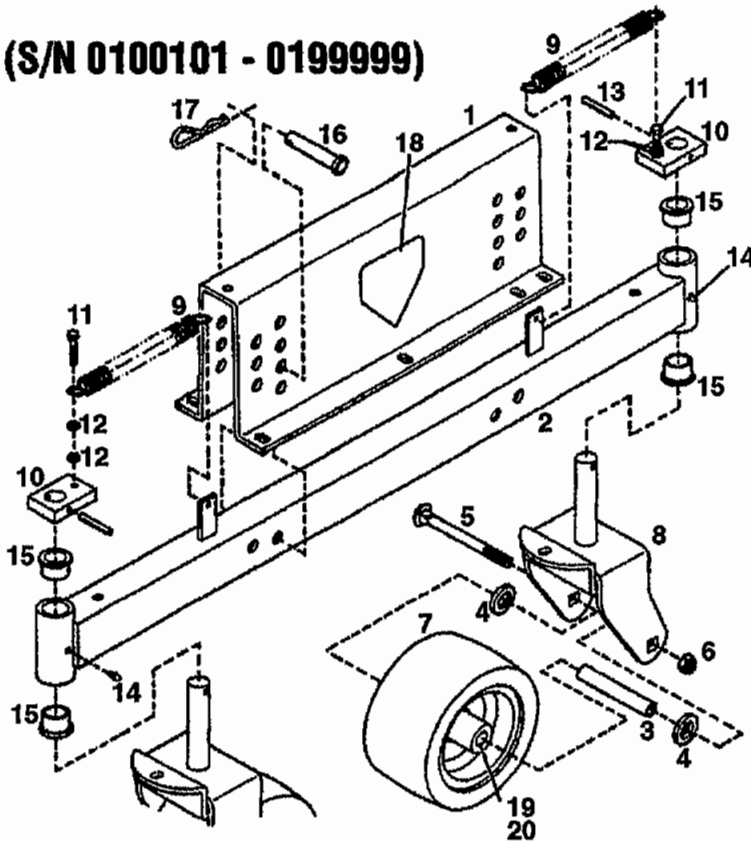
Torque to
80-100 Ft-Lbs.
(108-136 Nm)

Torque to
270-330 In-Lbs.
(30-37 Nm)

Black Spray Paint (order part # 1735222)

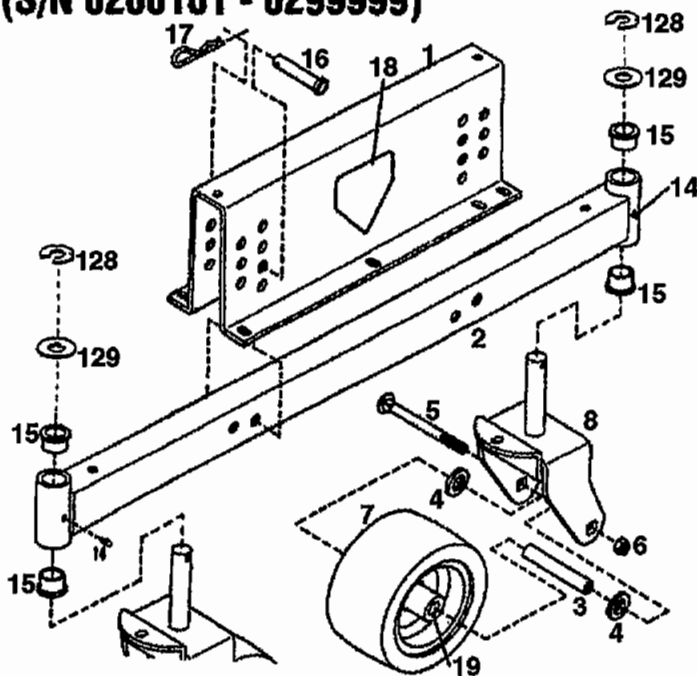
GAGE WHEEL ASSEMBLY

(S/N 0100101 - 0199999)



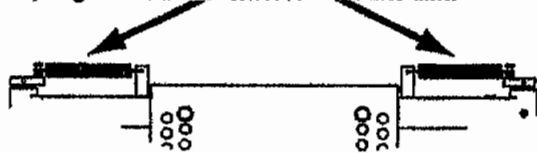
Ref #	Part #	Description	Qty.
1	1767759	Gage Wheel Mount w/Decals (Incl. Ref. 18)	2
2	1756610001	Wheel Support Assembly	2
3	1756614	Wheel Sleeve	4
4	1107387	Flat Washer, 3/4	8
5	1186196	Carriage Bolt, 1/2-13 x 4-3/4	4
6	1734514	Top Lock Nut, 1/2-13	4
7	1756619	Wheel & Tire Ass'y, 6.25 x 3.25 (Incl. Refs. 19 & 20)	4
8	1756615	Wheel Yoke Ass'y	4
9	1756625	Extension Spring	4
10	1756620	Centering Arm	4
11	1100806	Capscrew, 1/4-20 x 1-1/4	4
12	1186229	Nut, 1/4-20	8
13	1703822	Drive Pin, 1/4 x 1-1/2	4
14	1185976	Grease Fitting	4
15	1752556	Flange Bearing	8
16	1752308	Clevis Pin, 5/8 x 2-1/4	4
17	1185590	Hitch Pin	4
18	1739687	Decal, Danger	2
19	1761157	Roller Bearing (Incl. Ref. 7)	8
20	1761158	Bearing Cap (Incl. Ref. 7)	8

(S/N 0200101 - 0299999)

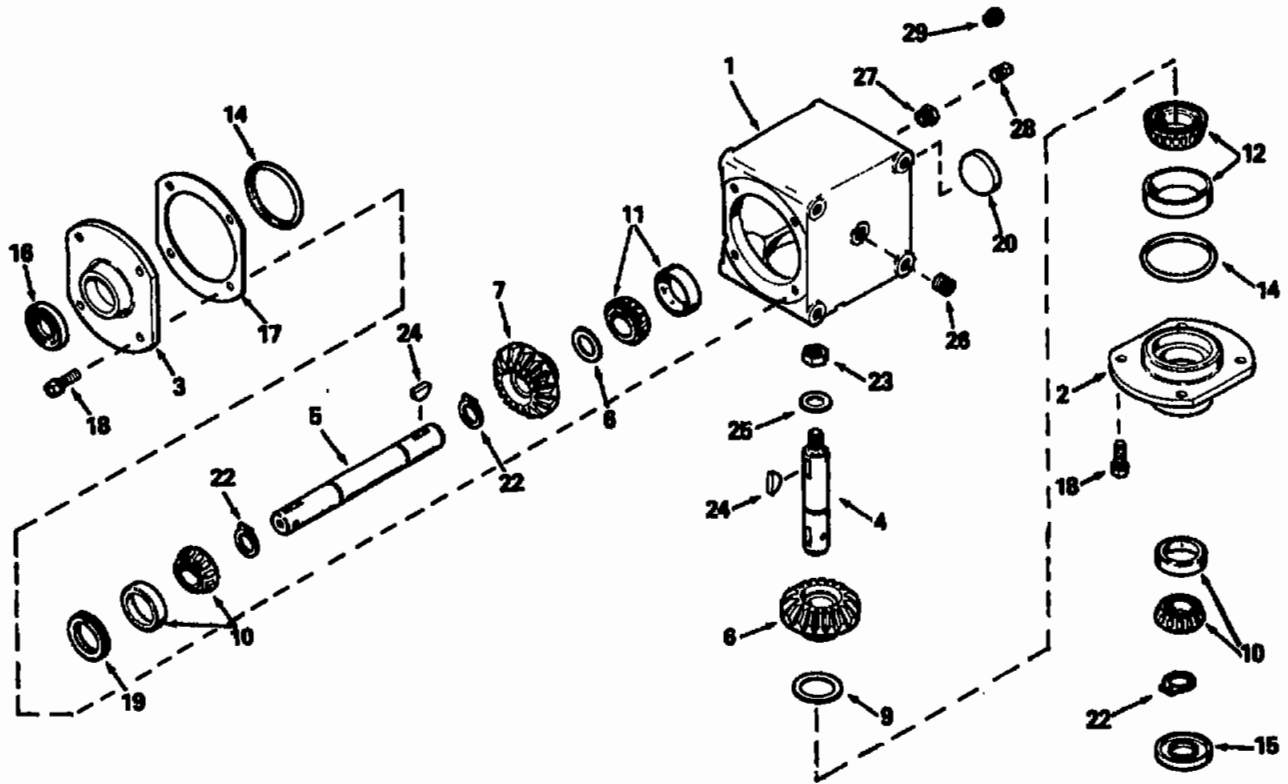


Ref. #	Part #	Description	Qty.
1	1767759	Gage Wheel Mount w/Decals (Incl. Ref. 18)	2
2	1770949001	Wheel Support Assembly	2
3	1756614	Wheel Sleeve	4
4	1107387	Flat Washer, 3/4	8
5	1186196	Carriage Bolt, 1/2-13 x 4-3/4	4
6	1734514	Top Lock Nut, 1/2-13	4
7	1756619	Wheel & Tire Assembly, 6.25 x 3.25 (Incl. Refs. 19 & 20)	4
8	1770939	Wheel Yoke Assembly	4
14	1185976	Grease Fitting	4
15	1752556	Flange Bearing	8
16	1752308	Clevis Pin, 5/8 x 2-1/4	4
17	1185590	Hitch Pin	4
18	1739687	Decal, Danger	2
19	1761157	Roller Bearing (incl. w/ Ref. 7)	2
20	1761158	Bearing Cap (Incl. Ref. 7)	2
128	1703073	Washer	A/R
129	1185689	Retaining Ring	4

Extension springs have been removed from this unit.



MODEL 1100-009 RIGHT ANGLE GEAR BOX ASSEMBLY



Ref #	Part #	Description	Qty.
1		Right Angle Drive Housing.....	1
2		Retainer Cap.....	1
3		Retainer Cap.....	1
4		Output Shaft.....	1
5		Input Shaft.....	1
6		Bevel Gear (20 teeth).....	1
7		Bevel Gear (27 teeth).....	1
8		Shim, 1-1/2" O.D. x 1-1/64 I.D. x .002 thick.....	A/R
9		Shim, 2.000" O.D. x 1.531 I.D. x .002 thick.....	A/R
10		Bearing & Cup Ass'y (Ass'y may include shim washer which is not required at this location.).....	1
11		Bearing & Cup Ass'y (Ass'y may include Ref. 9. Shim Washer. Shim Washer must be replaced if included).....	1

Ref #	Part #	Description	Qty.
12		Bearing & Cup Ass'y (Ass'y may include Ref. 9. Shim Washer. Shim Washer must be replaced if included).....	1
14		"O" Ring.....	1
15		Oil Seal.....	1
16		Oil Seal.....	1
17		Cap Retainer Shim.....	1
18		Hex Hd. Sems Screw, 5/16-18 x 1.....	1
19		Load Ring.....	1
20		Plug.....	1
22		Retaining Ring.....	1
23		Jam Nut, 3/4-16.....	1
24		Woodruff Key.....	1
25		Flat Washer.....	1
26		Pipe Plug, 1/4-18.....	1
27		Reducer Pipe, 1/4-18 to 1/8-27.....	1
28		Pipe Plug.....	1
29		Relief Valve.....	1

Order Parts from your local Tecumseh Power Products Engine Dealer--refer to actual transmission for Model number, type number and code.