

BOLENS

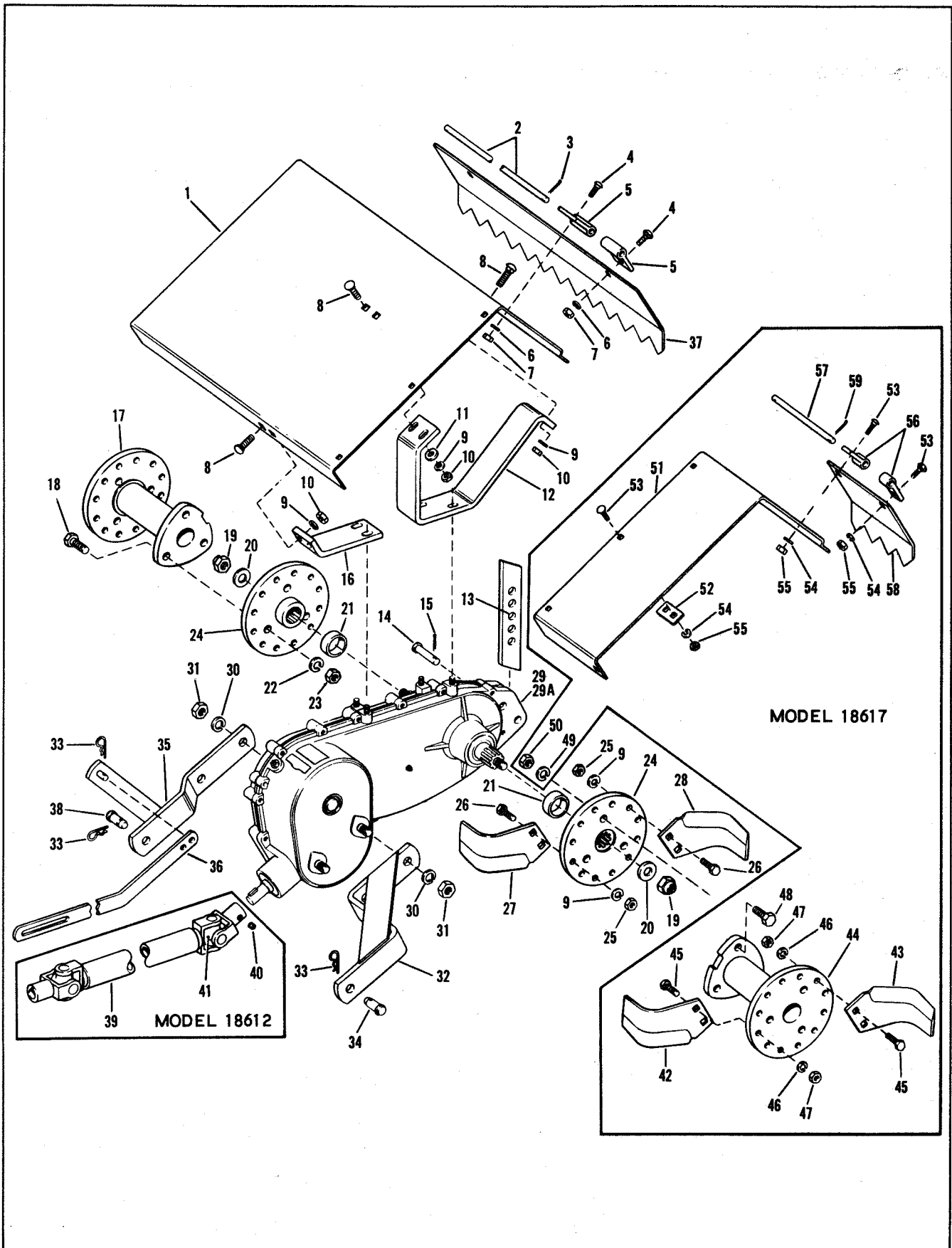
**TILLER
ATTACHMENT
25 INCH
MODELS 18616-01
and 18616-02**

**ILLUSTRATED
PARTS
CATALOG**

BOLENS

PORT WASHINGTON, WISCONSIN, U.S.A.

TILLER ATTACHMENT MODEL 18616-01 - 18616-02



TILLER ATTACHMENT MODEL 18616-01 - 18616-02

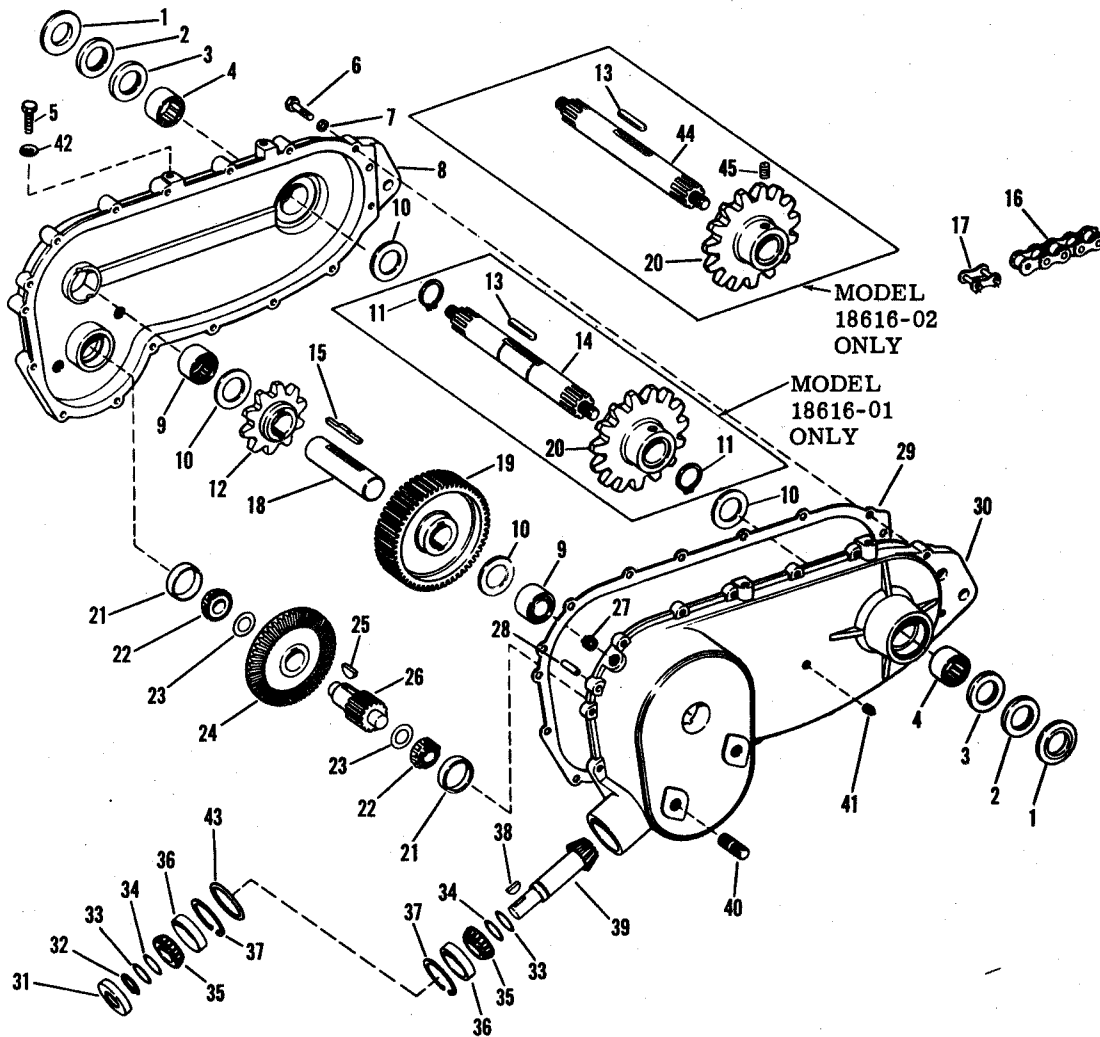
Ref. No.	Part No.	Description	No. Req'd.
1	1719 678	Hood	1
2	1718 198	Hinge Pin	1
3	1100 346	Cotter Pin 3/32 x 3/4	2
4	1111 265	Carriage Bolt 5/16-18 x 3/4	4
5	1718 196	Hinge	4
6	1100 242	Lockwasher 5/16	4
7	1182 563	Hex Nut 5/16-18	4
8	1111 285	Carriage Bolt 3/8-16 x 1	6
9	1100 243	Lockwasher	42
10	1110 108	Lock Nut 3/8-16	6
11	1107 383	Flat Washer 3/8	2
12	1719 680	Rear Hood Bracket	1
13	1718 189	Center Shoe	1
14	1708 336	Clevis Pin	1
15	1100 350	Cotter Pin 1/8 x 1	1
16	1718 205	Front Hood Bracket	1
17	1718 138	Spacer	1
18	1107 033	Hex Head Capscrew 1/2-13 x 1-3/4	3
19	1185 229	Hex Lock Nut 5/8-18	2
20	1800 041	Spacer Washer	2
21	1718 170	Sleeve	2
22	1100 245	Lockwasher 1/2	3
23	1121 511	Hex Nut 1/2-13	3
24	1718 140	Tiller Hub	2
25	1110 150	Hex Nut 3/8-24	36
26	1100 010	Hex Head Capscrew 3/8-24 x 1-1/4 H. T.	36
27	1709 387	R. H. Bend Tine	9
28	1709 388	L. H. Bend Tine	9
29	1718 227	Gear Case Assembly (Model 18616-01)	1
29A	1721 594	Gear Case Assembly (Model 18616-02)	1
30	1100 247	Lockwasher 5/8	4
31	1121 513	Hex Nut 5/8-11	4
32	1718 165	Support Arm Assembly	1

Ref. No.	Part No.	Description	No. Req'd.
33	1703 011	Spring Cotter	3
34	1713 553	Clevis Pin 5/8 x 1-5/8	1
35	1718 169	Support Arm Assembly	1
36	1713 506	Lift Link	1
37	1719 676	Leveling Board	1
38	1713 501	Clevis Pin	1
MODEL 18612 DRIVESHAFT ASSEMBLY			
39*	1713 550	Driveshaft	1
40	1103 494	Set Screw 3/8-16 x 1/2	1
41	1100 762	Grease Fitting	1
MODEL 18617 TINE EXTENSION AND HOOD			
42	1709 387	R. H. Bend Tine	3
43	1709 388	L. H. Bend Tine	3
44	1718 138	Spacer	1
45	1100 010	Hex Head Capscrew 3/8-24 x 1-1/4 H. T.	12
46	1100 243	Lockwasher 3/8	12
47	1110 150	Hex Nut 3/8-24	12
48	1107 033	Hex Head Capscrew 1/2-13 x 1-3/4	3
49	1100 245	Lockwasher 1/2	3
50	1121 511	Hex Nut 1/2-13	3
51	1719 686	Hood Ext	1
52	1718 207	Connector	6
53	1111 265	Carriage Bolt 5/16-18 x 3/4	12
54	1100 242	Lockwasher 5/16	12
55	1182 563	Hex Nut 5/16-18	12
56	1718 197	Hinge	2
57	1718 199	Hinge Pin	1
58	1719 687	Leveling Board	1
59	1100 346	Cotter Pin 3/32 x 3/4	2

* 1714 207 Repair Kit for Joint Marked 6N

* 1714 208 Repair Kit for Joint Marked NEAPCO

TILLER ATTACHMENT MODEL 18616-01 - 18616-02



Ref. No.	Part No.	Description	No. Req'd.
1	1718 153	Seal Washer	2
2	1185 630	Oil Seal	2
3	1185 629	Oil Seal	2
4	1185 721	Needle Bearing	2
5	1719 673	Capscrew 3/8-16 x 1-1/4	4
6	1100 779	Hex Head Capscrew 5/16-18 x 1-3/4	15
7	1100 242	Lockwasher 5/16	15
8	1720 395	Gearcase Cover	1
9	1185 720	Needle Bearing	2
10	1710 530	Thrust Washer	4
11	1118 816	Retaining Ring	2
12	1718 147	Sprocket 10-Tooth 1 Inch Pitch	1
13	1718 149	Square Key 5/16 x 2-1/4	1
14	1718 141	Tine Shaft (18616-01 Only)	1
15	1718 143	Special Key	2
16	1718 151	Roller Chain 1 Inch Pitch	1
17	1718 152	Roller Chain Connector	1
18	1718 146	Shaft	1
19	1718 210	Gear 56 Tooth	1
20	1721 591	Sprocket 15-Tooth 1 Inch Pitch	1
21	1185 276	Bearing Cup	2
22	1185 275	Bearing Cone	2

Ref. No.	Part No.	Description	No. Req'd.
23	1701 446	Shim 3/4 x .005	AR
24	1718 113	Bevel Gear 51 Tooth	1
25	1708 382	Woodruff Key	1
26	1718 144	Pinion	1
27	1706 566	Plug Assembly	1
28	1185 206	Drive Pin	2
29	1718 142	Gasket	1
30	1720 394	Tiller Case	1
31	1185 687	Oil Seal	1
32	1185 689	Retaining Ring	1
33	1701 448	Shim 1 x .005	AR
34	1718 193	Shim 1 x .020	AR
35	1185 661	Bearing Cone	2
36	1185 660	Bearing Cup	2
37	1118 735	Retaining Ring	2
38	1104 436	Woodruff Key 3/16 x 3/4	1
39	1718 112	Pinion 13 Tooth	1
40	1113 754	Stud 5/8-11 x 2	4
41	1185 741	Pipe Plug 1/8	1
42	1100 243	Lockwasher	4
43	1719 442	Shim 1.978 x .005	AR
44	1721 592	Tine Shaft (18616-02 Only)	1
45	1103 494	Set Screw 3/8-16 x 1/2 (Model 18616-02 Only)	1