

# Bolens

# Mower Attachment 38 Inch

## Model 18418

Type 01, 02 & 03  
Serial Numbers 0400101  
thru 0599999

## Parts List

FORM P-552580-2 (1/78)  
SUPERSEDES P-552580-1

# BOLENS 38 INCH MOWER ATTACHMENT

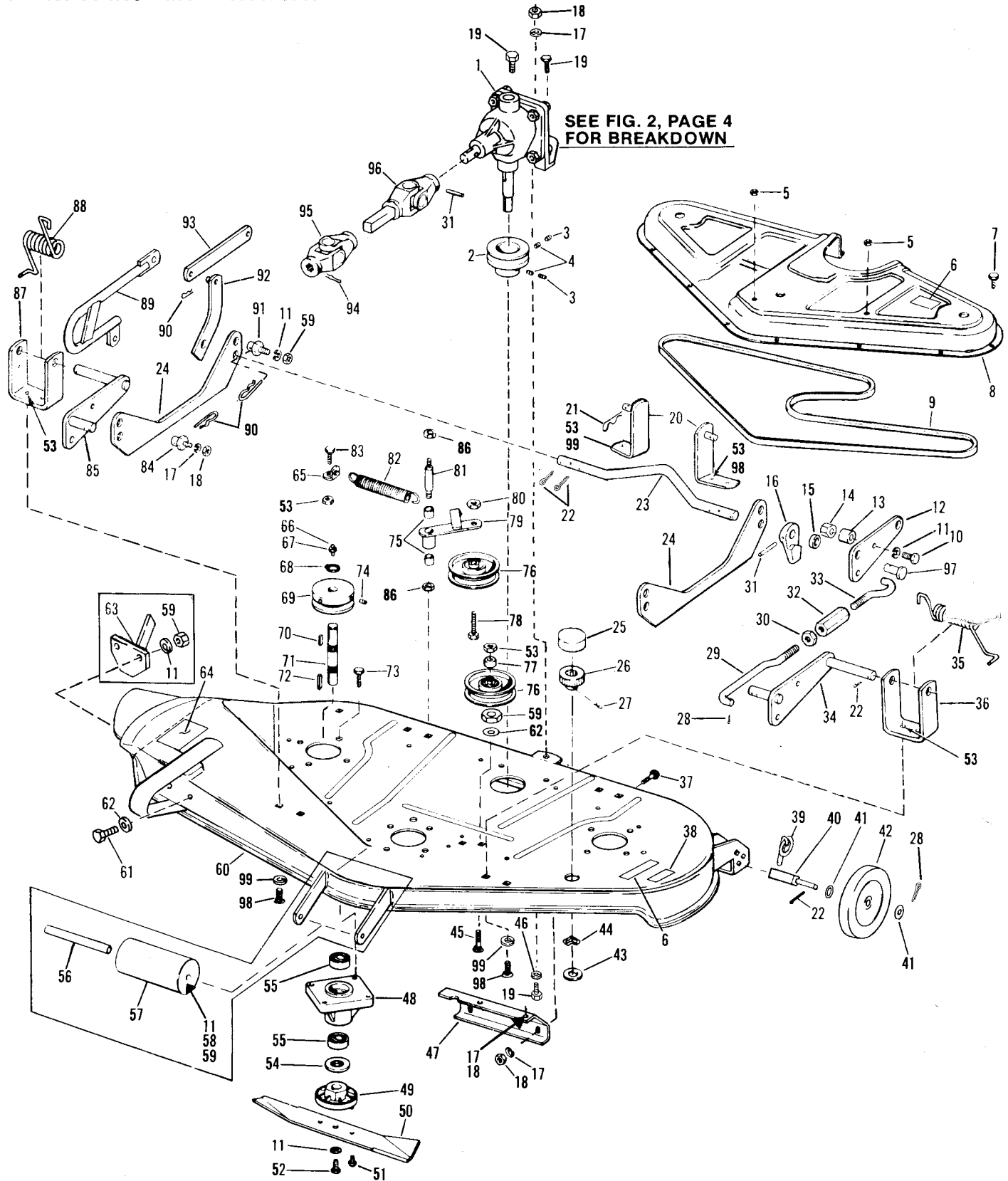


Figure 1 COMPLETE ASSEMBLY

MODEL 18418

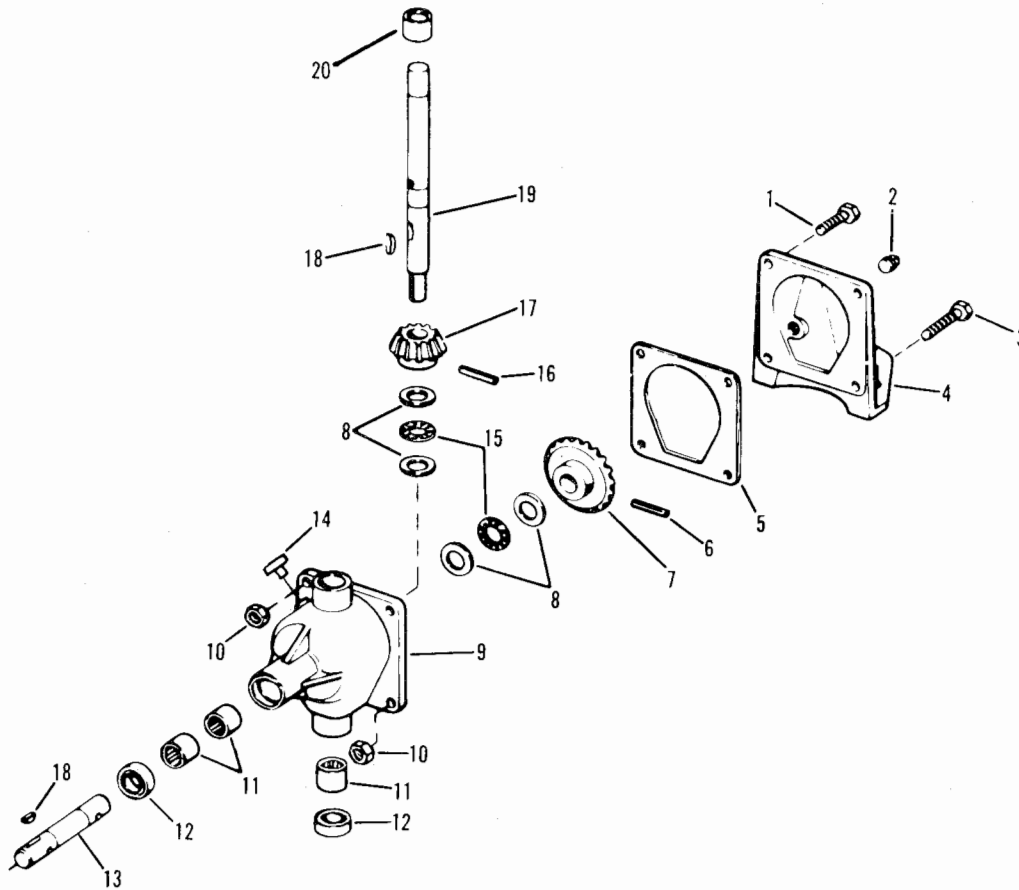
REF. NO.	PART NO.	DESCRIPTION	NO. REQ'D.	REF. NO.	PART NO.	DESCRIPTION	NO. REQ'D.
1	1722862	Gear Case Assembly . . . . .	1	50	1714727	Cutter Blade . . . . .	3
2	1714762	Pulley . . . . .	1	51	1177330	Rivet . . . . .	6
3	• 1185551	Lock Screw, 3/8-16 x 3/16 . . . . .	2	52	• 1111709	Capscrew, 3/8-24 x 7/8 H.T. . . . .	3
4	• 1185550	Set Screw, 3/8-16 x 5/16 . . . . .	2	53	1186391	Flange Whiz Lock Nut, 5/16-18. . . . .	9
5	• 1110108	Lock Nut, 3/8-16 . . . . .	4	54	1712566	Slinger . . . . .	3
6	1715633	Decal (Bolens) (1)(2) . . . . .	1	55	1120502	Ball Bearing . . . . .	6
	1724540	Decal (Belt Drive) (3) . . . . .	1	56	1720578	Spacer (1)(2)(3)(4) . . . . .	1
	1730200	Decal (Belt Drive) (4)(5) . . . . .	1	57	1720577	Roller (1)(2)(3)(4) . . . . .	1
7	1185933	Capscrew, No. 14 x 1/2 . . . . .	14	58	• 1186411	Capscrew, 3/8-16 x 6 (1)(2)(3)(4) . . . . .	1
8	1719438	Belt Cover . . . . .	1	59	• 1186231	Hex Nut, 3/8-16 . . . . .	3
9	1714799	Drive Belt, 75" (1)(2) . . . . .	1	60	1722861	Base (1)(2)(3) . . . . .	1
	1724148	Drive Belt, 75" (3)(4)(5) . . . . .	1		1727112	Base (4) . . . . .	1
10	• 1100043	Capscrew, 3/8-16 x 1-1/4 . . . . .	2		1728380	Base (5) . . . . .	1
11	• 1100243	Lockwasher, 3/8 . . . . .	5	61	• 1100913	Capscrew, 3/8-16 x 7/8 (1)(2)(3) . . . . .	2
12	1722842	Lift Arm (1) . . . . .	2	62	• 1107383	Flat Washer, 3/8 . . . . .	1
	1725339	Lift Arm (2)(3)(4)(5) . . . . .	2	63	1725562	Deflector (3) . . . . .	1
13	1718652	Spacer (3)(4)(5) . . . . .	2	64	1715670	Decal (Caution) (1)(2) . . . . .	1
14	1722858	Eccentric (1)(2) . . . . .	2		1725565	Decal (Caution) (3)(4)(5) . . . . .	1
	• 1110108	Lock Nut, 3/8-16 (3)(4)(5) . . . . .	2	65	1713686	Bracket . . . . .	1
15	1722957	Spacer . . . . .	1	66	1110086	Grease Fitting 45° (Center Shaft Only) . . . . .	1
16	1723010	Lift Lug . . . . .	2	67	1104954	Grease Fitting (Outer Shafts Only) . . . . .	2
17	• 1100242	Lockwasher, 5/16 . . . . .	7	68	1118809	Retaining Ring . . . . .	3
18	• 1186230	Hex Nut, 5/16-18 . . . . .	7	69	1714758	Blade Drive Pulley . . . . .	3
19	• 1100045	Capscrew, 5/16-18 x 1 . . . . .	3	70	1104436	Woodruff Key, 3/16 x 3/4 . . . . .	3
20	1720487	Bracket . . . . .	2	71	1723045	Drive Shaft . . . . .	3
21	• 1100350	Cotter Pin, 1/8 x 1 (1) . . . . .	2	72	1185188	Square Key, 3/16 x 7/8 . . . . .	3
	1723478	Spring, Cotter (2) . . . . .	2	73	• 1185670	Capscrew, 5/16-18 x 7/8 . . . . .	12
	1185590	Hitch Pin (3)(4)(5) . . . . .	2	74	• 1103470	Set Screw, 5/16-18 x 1/2 . . . . .	6
22	• 1100350	Cotter Pin, 1/8 x 1 (1)(2)(3) . . . . .	14	75	1715538	Bronze Bearing . . . . .	2
	1187961	Pin, 5/32 x 1 (4)(5) . . . . .	8	76	1724488	Idler Pulley . . . . .	2
23	1722853	Rod . . . . .	1	77	1718651	Spacer . . . . .	1
24	1722847	Support Bracket (1) . . . . .	2	78	• 1100010	Capscrew, 3/8-24 x 1-1/4 . . . . .	1
	1724625	Support Bracket, R.H. (2)(3)(4)(5) . . . . .	1	79	1716894	Idler Arm . . . . .	1
	1724626	Support Bracket, L.H. (2)(3)(4)(5) . . . . .	1	80	• 1186245	Jam Nut, 3/8-24 . . . . .	1
25	1719467	Protector . . . . .	1	81	1715537	Stud . . . . .	1
26	1719461	Washout Flange . . . . .	1	82	1701322	Spring (1)(2) . . . . .	1
27	• 1100352	Cotter Pin, 1/8 x 1-1/2 . . . . .	1		1716777	Spring (3)(4)(5) . . . . .	1
28	• 1100349	Cotter Pin, 1/8 x 3/4 . . . . .	4	83	• 1100044	Capscrew, 5/16-18 x 3/4 . . . . .	1
29	1722855	Rod Leveling (Front) . . . . .	1	84	1722848	Pin, Front . . . . .	2
30	• 1186246	Jam Nut, 7/16-20 . . . . .	1	85	1722840	Lift Arm Assembly . . . . .	1
31	1185376	Roll Pin, 3/16 x 1-1/2 . . . . .	3	86	1186393	Flange Whiz Lock Nut, 3/8-16 . . . . .	3
32	1722857	Turnbuckle . . . . .	1	87	1722838	Hitch Plate, R.H. . . . .	1
33	1722856	Rod Leveling (Rear) . . . . .	1	88	1725316	Torsion Spring, R.H. (2) . . . . .	1
34	1722841	Lift Arm Assy., L.H. . . . .	1	89	1723205	Lift Link (Used On Gear Drive Tractors) . . . . .	1
35	1725317	Torsion Spring, L.H. (2)(3)(4)(5) . . . . .	1	90	1703011	Spring, Pin . . . . .	6
36	1722839	Hitch Plate, L.H. . . . .	1	91	1722849	Pin, Rear . . . . .	2
37	• 1186098	Carriage Bolt, 5/16-18 x 3/4 . . . . .	2	92	1722846	Control Link Assembly . . . . .	1
38	1722725	Decal (Caution) (1)(2) . . . . .	1	93	1722958	Lift Link (Used on Hydro- static Drive Tractors) . . . . .	1
39	1719672	Klik Pin . . . . .	2	*94	1716369	Cotter Pin, Special (1)(2)(3) . . . . .	1
40	1719742	Gauge Wheel Axle . . . . .	2	**95	*1715008	Universal Joint (1)(2)(3) . . . . .	1
41	1890234	Flat Washer, 1/2 . . . . .	8	96	*1713650	Universal Joint and Shaft . . . . .	1
42	181036	Wheel, 5 x 1-3/8 . . . . .	2	97	1112588	Clevis Pin (1)(2) . . . . .	1
43	1703073	Thrust Washer . . . . .	1	98	• 1100078	Capscrew, 5/16-18 x 7/8 . . . . .	8
44	1719469	Wave Washer . . . . .	1	99	• 1107382	Flat Washer, 5/16 . . . . .	6
45	• 1100049	Carriage Bolt, 3/8-16 x 2-1/4 (Idler Pulley) . . . . .	1				
46	• 1100255	Flat Washer, 5/16 . . . . .	1				
47	1720199	Gear Box Support . . . . .	1				
48	1723046	Bearing Housing . . . . .	3				
49	1722395	Drive Hub . . . . .	3				

- (1) 18418-01
- (2) 18418-02
- (3) 18418-03
- (4) Serial Number 0400101 thru 0499999
- (5) Serial Number 0500101 thru 0599999

- \*1714207 Repair Kit for Joint Marked 6N
- \*1714208 Repair Kit for Joint Marked NEAPCO

\*\*Not included with mower from Serial Number 0400101 and up. Parts Shipped with tractor.

• Common Hardware - Purchase Locally (Grade 5 where applicable).



REF. NO.	PART NO.	DESCRIPTION	NO. REQ'D.
1	● 1106878	Capscrew, 5/16-18 x 1 . . . .	2
2	1105678	Plug . . . . .	1
3	● 1106882	Capscrew, 5/16-18 x 1-1/4 . . . .	2
4	1716386	Gear Case Support. . . . .	1
5	1713662	Gasket. . . . .	1
6	1185284	Roll pin, 1/4 x 2 . . . . .	1
7	1722673	Gear, 24T . . . . .	1
8	1185432	Thrust Race . . . . .	4
9	1716345	Gear Case Only . . . . .	1
10	1110107	Lock Nut, 5/16-18. . . . .	4

REF. NO.	PART NO.	DESCRIPTION	NO. REQ'D.
11	1185010	Needle Bearing . . . . .	3
12	1185296	Seal . . . . .	2
13	1713676	Horizontal Shaft . . . . .	1
14	1721442	Pressure Relief Valve . . . . .	1
15	1185431	Thrust Bearing . . . . .	2
16	1185218	Roll Pin, 1/4 x 1-1/8 . . . . .	1
17	1722674	Gear, 20 T . . . . .	1
18	1104436	Woodruff Key, 3/16 x 3/4. . . . .	2
19	1714754	Vertical Shaft. . . . .	1
20	1713665	Needle Bearing . . . . .	1

● Common Hardware - Purchase Locally (Grade 5 where applicable).

Figure 2 GEAR CASE ASSEMBLY