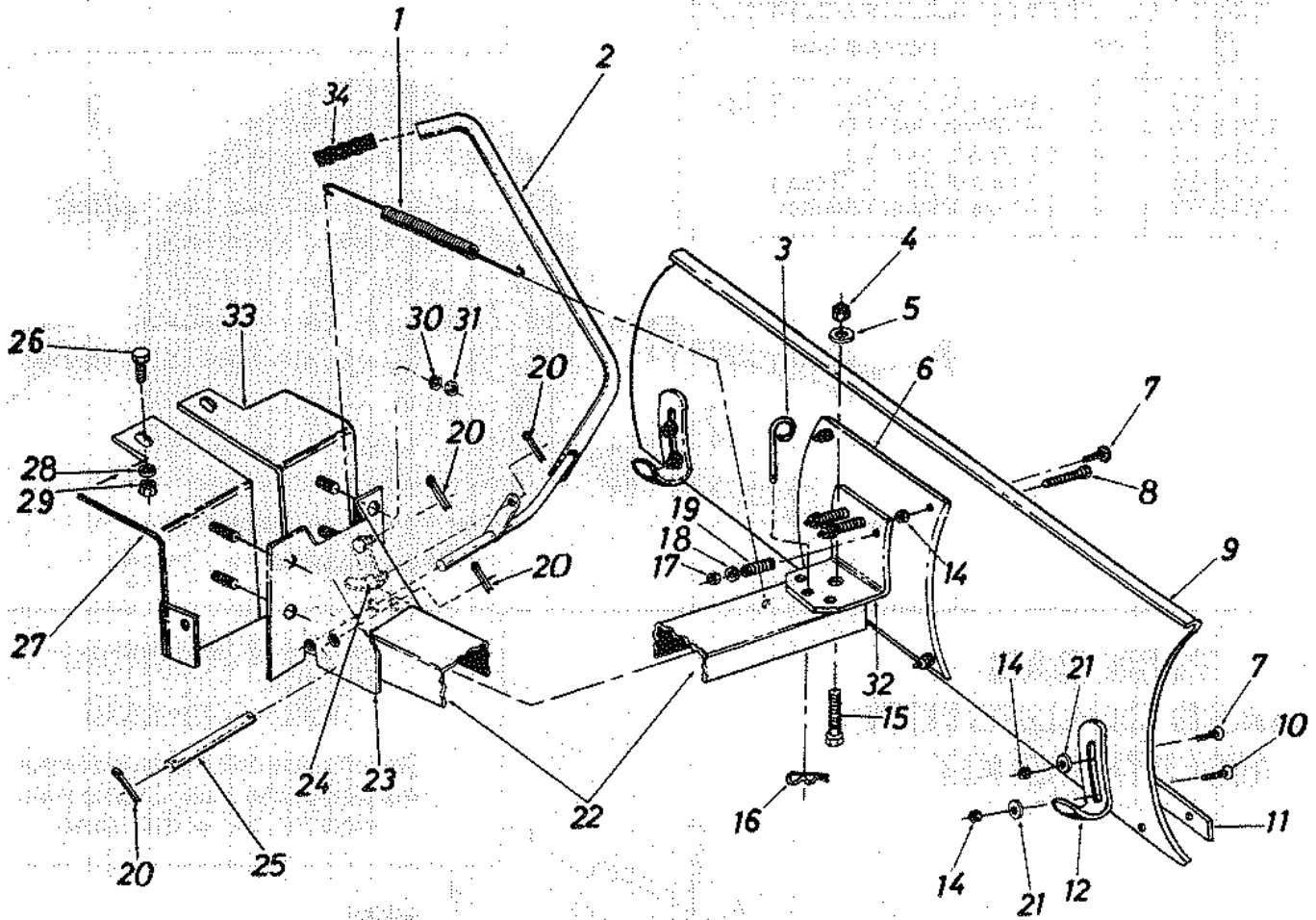


Model 485C



PARTS LIST FOR MODEL 485C 42" SNOW BLADE

REF. NO.	PART NO.	CODE	DESCRIPTION	REF. NO.	PART NO.	CODE	DESCRIPTION
1	732-0153		Extension Spring	18	736-0258		Fl-Wash. 3/8" I.D.
2	63046	N	Lift Handle Ass'y.	19	43035		Compression Spring
3	43038		Pivot Lock Pin	20	714-0121		Cotter Pin 1/8" Dia. x 1" Lg.*
4	712-0384		Hex Cent. L-Nut 1/2-13 Thd.	21	43081		Fl-Wash. 5/16" I.D.
5	736-0179		Fl-Wash. 17/32" I.D. x 1.25" Lg.	22	23116		Push Bar Channel
6	23061		Reinforcement Plate	23	24023	N	Pivot Support Bracket
7	710-0451		Carriage Bolt 5/16-18 x .75" Lg.*	24	63034	N	Lift Link
8	43036		Hex Bolt 3/8-16 x 3.75" Lg. Grade 5	25	09625		Channel Pivot Shaft
9	23114		42" Blade	26	710-0253		Hex Bolt 3/8-16 x 1" Lg. Grade 5
10	710-0276		Carriage Bolt 5/16-18 x 1" Lg.*	27	17512		Support Bracket—R.H.
11	23117		42" Wear Plate	28	736-0169		L-Wash. 3/8" I.D.*
12	23070		Shoe Skid	29	712-0798		Hex Nut 3/8-16 Thd.*
14	712-0158		Hex Cent. L-Nut 5/16-18 Thd.	30	736-0169		L-Wash. 3/8" I.D.*
15	710-0474		Hex Bolt 1/2-13 x 1.25" Lg.*	31	712-0342		Hex Jam Nut 3/8-16 Thd.
16	714-0101		Int. Cotter Pin	32	23115		Support Bracket
17	712-0375		Hex Cent. L-Nut 3/8-16 Thd.	33	17511		Support Bracket—L.H.
				34	43362	N	Rubber Grip

*Common Hardware may be purchased locally.

IMPORTANT: Do Not order by reference number (Ref. No.).