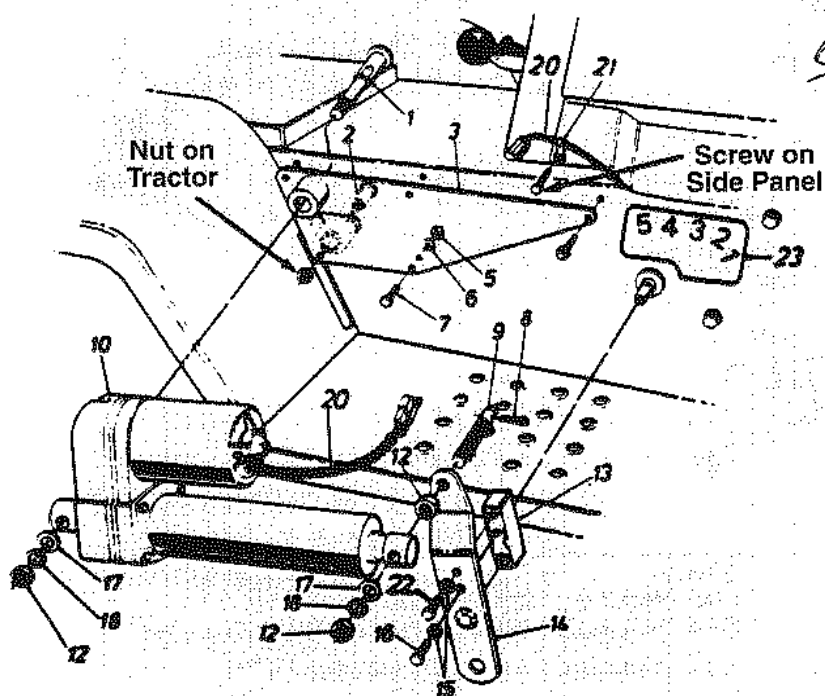
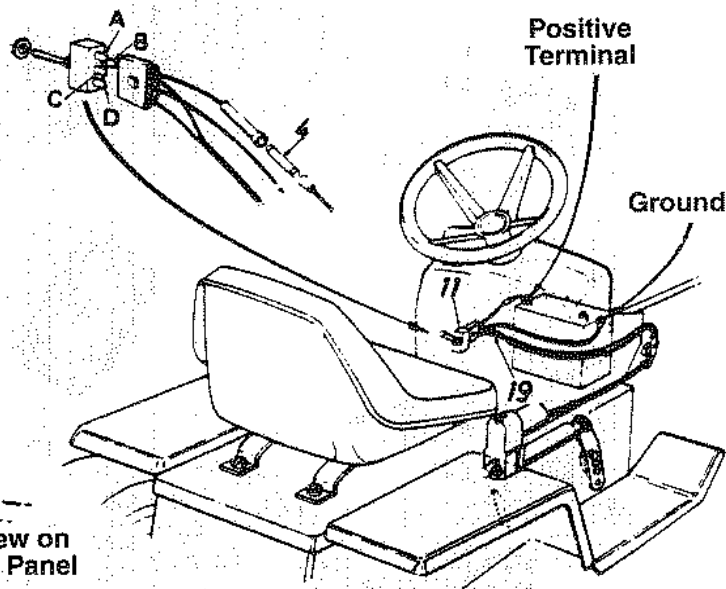


ELECTRIC LIFT KIT

190-749-000

WIRING	
A Blue Wire	—Connects to Positive Terminal on Battery
B Yellow Wire	—Connects to Actuator
C Black Wire	—Ground Wire—to Frame
D Red Wire	—Connects to Actuator



PARTS LIST FOR MODEL 749 ELECTRIC LIFT KIT

REF. NO.	PART NO.	CODE	DESCRIPTION	REF. NO.	PART NO.	CODE	DESCRIPTION
1	738-0639		Pivot Pin	13	748-0307A		Lift Shaft Drive
2	738-0150		Shld. Bolt .626" Dia. x .96"	14	16387		Lift Bracket Ass'y.
3	16385		Mtg. Plate Ass'y.	15	736-0119		L-Wash. 5/16" I.D.*
4	725-0300		Fuse 30 AMP (For Service Only)	16	710-0117		Hex Bolt 5/16-24 x 1.0" Lg. (Grade 5)
5	712-0138		Hex Nut 1/4-28 Thd.	17	736-0192		Fl-Wash. .53" I.D. x .93" O.D.
6	736-0329		L-Wash. 1/4" I.D.*	18	712-0921		L-Wash. 1/2" I.D.*
7	710-0412		Hex Bolt 1/4-28 x .75" Lg. (Grade 5)	19	725-1108		Wire Harness
8	714-0115		Cotter pin	20	731-0759		Plastic Tubing—7"
9	738-0640		Indicator & Mtg. Pin	21	726-0175		Clamp
10	717-0620		Electric Actuator	22	710-0376		Hex Bolt 5/16-18 x 1" Lg. (Grade 5)
11	725-1053		Toggle Switch	23	777-5406		Label
12	712-0461		Hex Jam Nut 1/2-13 Thd.				