



## Parts Catalog

### Hydrostatic Drive LTX Tractors

#### Models

**13096 —13.5HP**

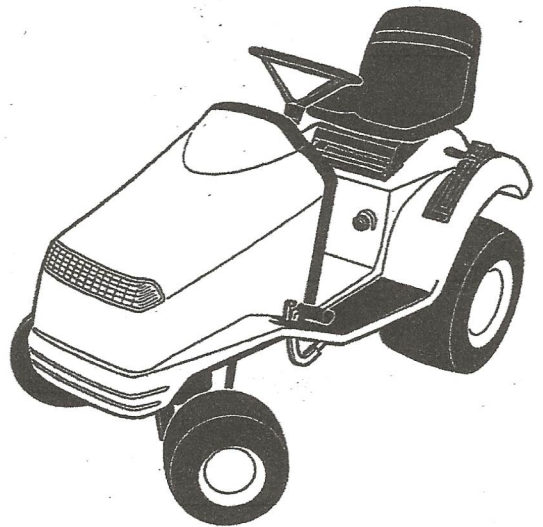
Serial Numbers 130960100101—130960199999

**13097 —15.5HP**

Serial Numbers 130970100101—130970199999

**13099 —16HP**

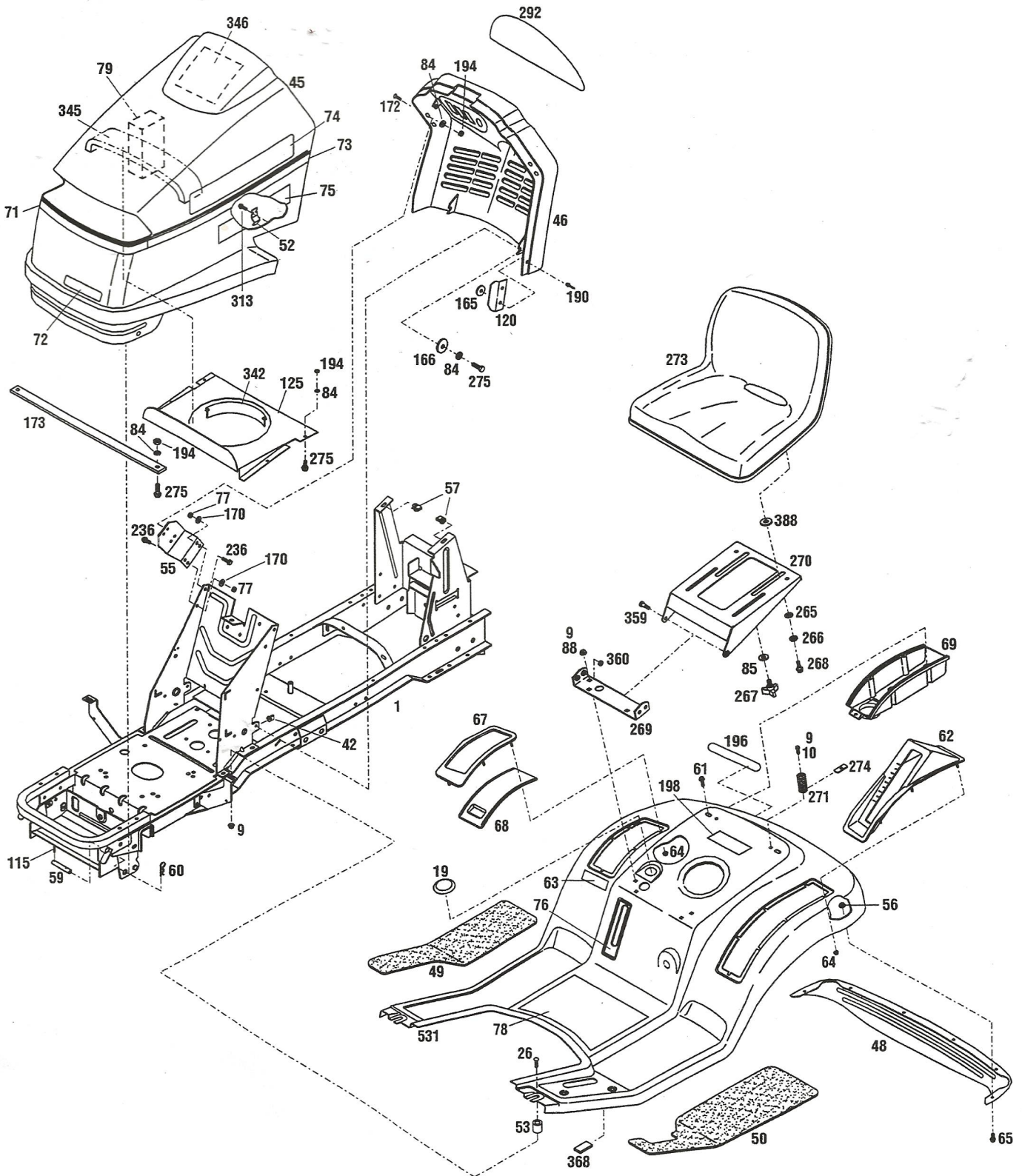
Serial Numbers 130990100101—130990199999



# TROY-BILT® TRACTOR

## BODY & TRIM ASSEMBLY

S/N 130960100101 - 130960199999  
130970100101 - 130970199999  
130990100101 - 130990199999



### TOUCH-UP PAINT

- |     |   |
|-----|---|
| 600 | Black Spray Paint, 13 oz. (order part number 1735222) |
| 601 | Red Spray Paint, 13. oz. (order part number 1900706)  |



## MODELS 13096, 13097 & 13099

Ref.	Part	Description	Qty.	Ref.	Part	Description	Qty.
1	1771825001	Frame (A) (B).....	1	88	1186097	Carriage Bolt, 5/16-18 x 5/8.....	2
	1771828001	Frame (C).....	1	115	1120210	Drive Pin, 3/16 x 1 .....	2
9	1186391	Flange Nut, 5/16-18.....	8	120	1768828001	Hood Alignment Bracket .....	2
10	1100044	Hex Head Screw, 5/16-18 x 3/4 .....	2	125	1767873001	Upper Heat Shield (C) .....	1
19	1768787	Plug.....	1	165	1736359	Special Washer.....	4
26	1186100	Carriage Bolt, 5/16-18 x 1.....	2	166	1720883	Washer, 1/4 I.D. x 1-1/4 O.D.....	2
42	1185893	Tinnerman U-Nut, 1/4-20.....	2	170	1100242	Lock Washer, 5/16.....	4
45	1765382	Hood.....	1	172	1816081	Socket Head Screw, 1/4-20 x 5/8.....	2
46	1765376	Console.....	1	173	1770317001	Hood Strap .....	1
48	1765331010	Rear Fender Trim .....	1	190	1739918	Pop Rivet, 3/16 .....	4
49	1765370	Right Foot Pad .....	1	194	1186229	Hex Nut, 1/4-20 .....	2
50	1765371	Left Foot Pad .....	1	196	1759102	Logo Decal.....	1
52	1765384	Latch.....	2	198	1767876	Fuel Decal .....	1
53	1730681	Spacer .....	2	236	1186329	Flange Screw, 5/16-18 x 3/4.....	4
55	1768775001	Mounting Bracket .....	2	265	1705793	Nylon Washer .....	2
56	1186389	Flange Nut, 1/4-20 .....	6	266	1706782	Bowed Washer.....	2
57	1761680	Self-Retaining Nut, 5/16-18.....	2	267	1734269	Adjusting Knob .....	2
59	1765497	Hood Pivot Pin.....	1	268	1754125	Shoulder Bolt.....	2
60	1723478	Cotter Spring, 1/8 .....	3	269	1766075001	Seat Bracket.....	1
61	1186330	Screw, 5/16-18 x 7/8 .....	1	270	1766074001	Seat Support.....	1
62	1766139	Lift Handle Cover (A) (B) .....	1	271	1766077	Compression Spring .....	2
63	1901900	American Legend Decal .....	1	273	1766160	Seat (A).....	1
64	1750532	Self-Threading Nut, 1/4.....	12		1766161	Seat (B) (C).....	1
65	1186309	Flange Screw, 1/4-20 x 1/2.....	6	274	1766347	Spring Hold-Down Bracket .....	2
67	1765493	Storage Top .....	1	275	1111599	Screw, 1/4-20 x 5/8 .....	6
68	1765492	Container Cover.....	1	292	1772258	Lens (Warning Lights) (A) (B) .....	1
69	1765494	Storage Container .....	1		1764887	Lens (Warning Lights) (C) .....	1
71	1766383	Front Stripe Decal .....	1	313	1185712	Self-Threading Screw .....	4
72	1759101	Logo Decal.....	1	342	1767897	Heat Shield Gasket (C).....	1
73	1766382	Side Stripe Decal .....	2	345	1767898	Sealing Strip (C) .....	1
74	1767886	Logo Decal.....	2	346	1765397	Service Decal .....	1
75	1772260	Hydro Decal .....	2	359	1100913	Hex Head Screw, 3/8-16 x 7/8 .....	2
76	1766140	Fuel Level Decal.....	1	360	1110108	Locknut, 3/8-16 .....	2
77	1186230	Hex Nut, 5/16-18 .....	4	368	1767995	Pad .....	1
78	1772487	Tunnel Decal (A) .....	1	388	1893445	Flat Washer.....	2
	1766142	Tunnel Decal (B) (C) .....	1	531	1768715	Rear Fender (Incl. Refs. 78 & 198)....	1
79	1768829	Sealing Block (C) .....	2	600	1735222	Black Spray Paint, 13 oz. ....	NI
84	1100241	Lock Washer, 1/4 SAE.....	2	601	1900706	Red Spray Paint, 13 oz. ....	NI
85	1107383	Flat Washer, 3/8.....	2				

(A)—Model 13096  
 (B)—Model 13097  
 (C)—Model 13099

NI - Not included with unit—order separately.

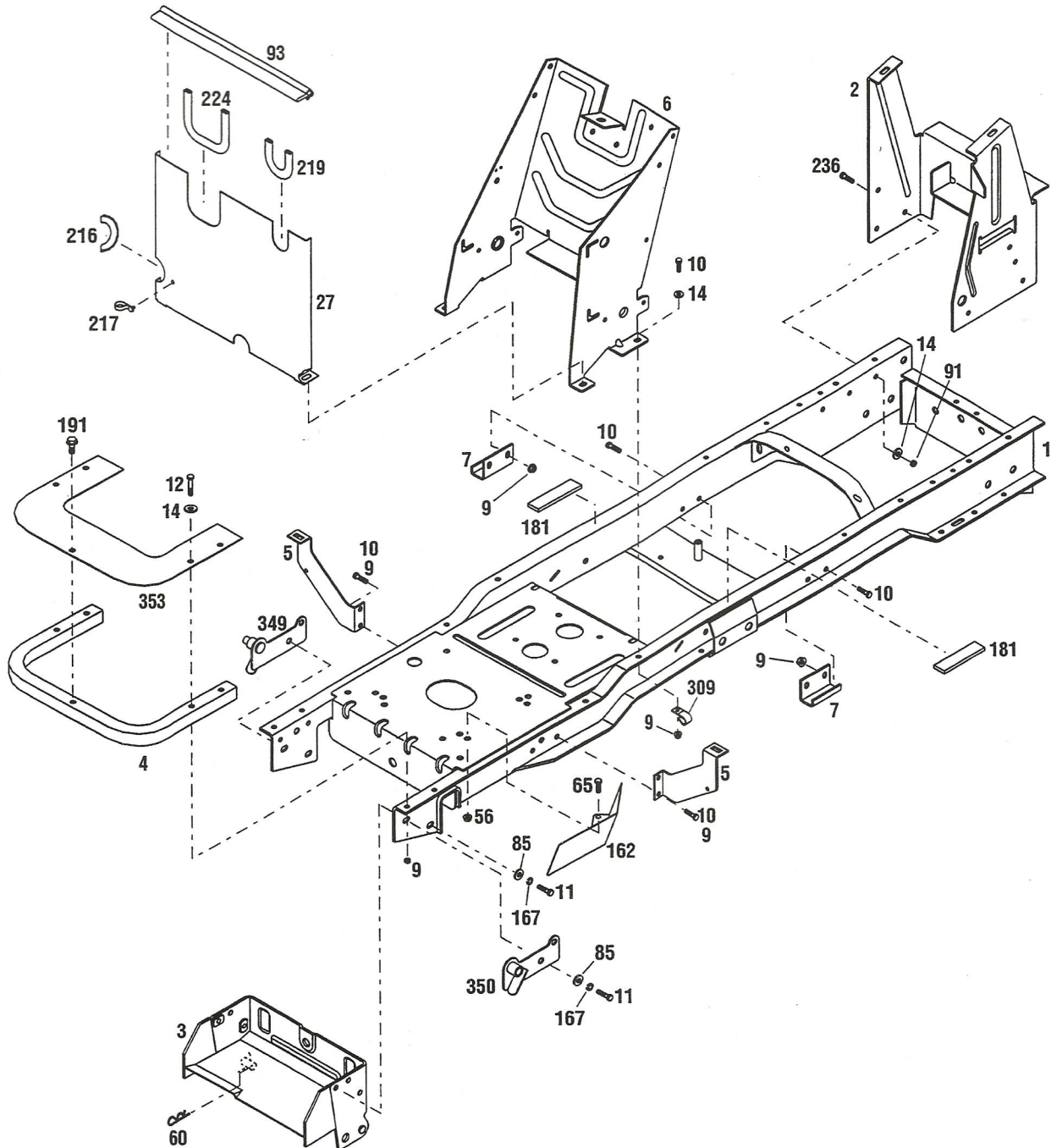
# TROY-BILT® TRACTOR

S/N 130960100101 - 130960199999

130970100101 - 130970199999

130990100101 - 130990199999

## FRAME ASSEMBLY





## MODELS 13096, 13097 & 13099

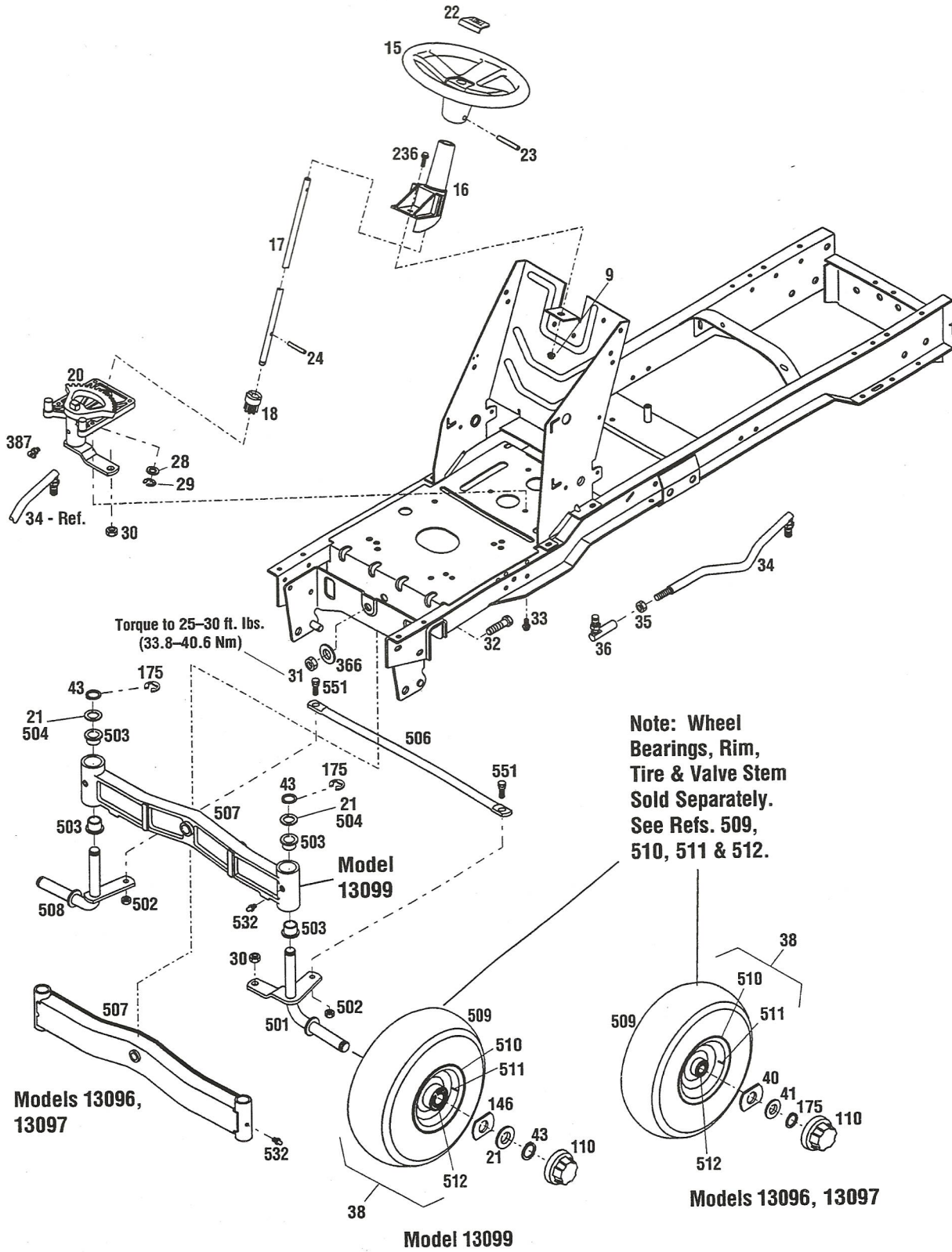
Ref.	Part	Description	Qty.	Ref.	Part	Description	Qty.
1	1771825001	Frame (A) (B).....	1	85	1107383	Flat Washer, 3/8.....	6
	1771828001	Frame (C).....	1	91	1732499	Locknut, 5/16-18.....	4
2	1766050001	Rear Tank Support.....	1	93	1768834	Heat Shield Gasket (C).....	1
3	1772250001	Attachment Bracket.....	1	162	1767874001	Upper Heat Shield (C).....	1
4	1772390001	Bumper.....	1	167	1100243	Lock Washer.....	2
5	1765431001	Fender Support.....	2	181	1767883	Pad.....	2
6	1765446001	Console Support.....	1	191	1754128	Flange Screw, 1/4-20 x 3/4.....	2
7	1766086001	Mower Stop.....	2	216	1768835	Trim (C).....	1
9	1186391	Flange Nut, 5/16-18.....	10	217	1745366	Cable Hanger (C).....	1
10	1100044	Hex Head Screw, 5/16-18 x 3/4.....	10	219	1752694	Trim (C).....	1
11	1100046	Hex Head Screw, 3/8-16 x 1.....	6	224	1768840	Trim (C).....	1
12	1100779	Hex Head Screw, 5/16-18 x 1-3/4.....	4	236	1186329	Flange Screw, 5/16-18 x 3/4.....	4
14	1107382	Flat Washer, 5/16.....	8	309	1747738	J-Clamp.....	1
27	1768826001	Heat Shield (C).....	1	349	1767867001	Right Pivot Plate.....	1
56	1186389	Flange Nut, 1/4-20.....	1	350	1767868001	Left Pivot Plate.....	1
60	1723478	Cotter Spring, 1/8.....	2	353	1767963	Heat Shield (C).....	1
65	1186309	Flange Screw, 1/4-20 x 1/2.....	1				

- (A)—Model 13096  
 (B)—Model 13097  
 (C)—Model 13099

# TROY-BILT® TRACTOR

S/N 130960100101 - 130960199999  
130970100101 - 130970199999  
130990100101 - 130990199999

## STEERING ASSEMBLY



# MODELS 13096, 13097 & 13099

Ref.	Part	Description	Qty.	Ref.	Part	Description	Qty.
1	1771825001	Frame (A) (B).....	1	40	1766241	Special Washer, 3/4.....	4
	1771828001	Frame (C).....	1	41	1185830	Special Washer, 3/4 x 1-3/8.....	2
9	1186391	Flange Nut, 5/16-18.....	1	43	1185989	Retaining Ring (C).....	4
15	1766027	Steering Wheel.....	1	110	1766215	Hub Cap.....	4
16	1765443	Steering Support.....	1	146	1766242	Special Washer 1 x 2-1/2.....	2
17	1765010	Steering Shaft.....	1	175	1185388	Retaining Ring.....	4
18	1771039	Pinion Gear.....	1	236	1186329	Flange Screw, 5/16-18 x 3/4.....	9
20	1771320	Steering Gear Assembly.....	1	366	1100266	Flat Washer.....	1
21	1703073	Flat Washer, 1 x 1-1/2.....	4	387	1731504	90° Grease Fitting.....	1
22	1766221	Steering Wheel Cap.....	1	501	1765263001	Left-Hand Spindle.....	1
23	1185284	Roll Pin, 1/4 x 2-1/4.....	1	502	1110150	Selflock Nut, 3/8-24.....	2
24	1185348	Drive Pin, 1/4.....	1	503	1764140	Bushing.....	4
28	1705092	Special Washer, 5/8 x 1.....	1	504	1701447	Special Washer, 3/4.....	4
29	1177567	Retaining Ring, 5/8.....	1	506	1765009001	Tie Rod.....	1
30	1768796	Locking Jam Nut, 1/2-20.....	2	507	1765169001	Front Axle.....	1
31	1758231	Top Locknut, 5/8-11.....	1	508	1765004001	Right-Hand Spindle.....	1
32	1767953	Hex Head Screw.....	1	509	1762254	Tire, 15 x 6.00 6RS.....	2
33	1766984	Flange Lock Screw, 5/16-18 x 3/4.....	4	510	1767276	Rim Assembly.....	2
34	1765315	Drag Link.....	1	511	1718086	Valve Stem.....	2
35	1186247	Hex Jam Nut, 1/2-20.....	1	512	1767273	Wheel Bearings.....	4
36	1716180	Ball Joint.....	1	532	1185976	Grease Fitting.....	4
38	1767277	Wheel Assembly (Incl. Refs. 509, 510, 511, 512) (A) (B).....	2	550	1747303	Flange Bearing.....	1
38	1768790	Wheel Assembly (Incl. Refs. 509, 510, 511, 512) (C).....	2	551	1894062	Shoulder Bolt, 3/8-24.....	2

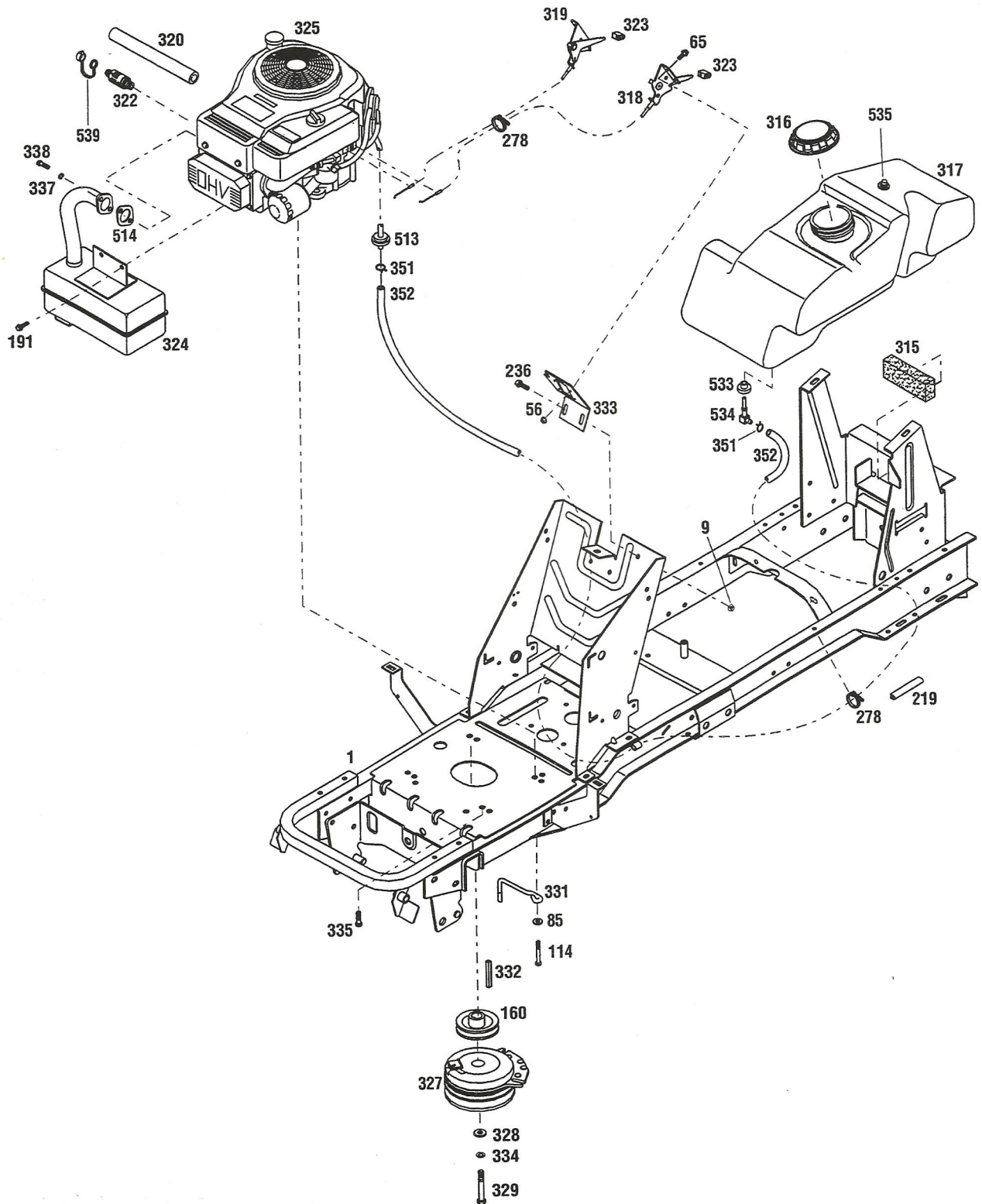
(A)—Model 13096

(B)—Model 13097

(C)—Model 13099



## 13.5 & 15.5 HP ENGINE ASSEMBLY



# MODELS 13096 & 13097

Ref.	Part	Description	Qty.	Ref.	Part	Description	Qty.
1	1765435001	Frame.....	1	325	*	Engine, 13.5HP Briggs & Stratton	
9	1186391	Flange Nut, 5/16-18 .....	1			Model 28M707 (A).....	1
56	1186389	Flange Nut, 1/4-20 .....	6		*	Engine, 15.5HP Briggs & Stratton	
65	1186309	Flange Screw, 1/4-20 x 1/2 .....	6			Model 28N707 (B).....	1
85	1107383	Flat Washer, 3/8.....	1	327	1755341	Electric Clutch.....	1
114	1768194	Thread Forming Screw, 3/8-16 x 1-1/2.....	2	328	1744455	Special Washer .....	1
160	1766201	Engine Sheave .....	1	329	1767165	Hex Head Screw, 7/16-20 x 3 .....	1
191	1754128	Flange Screw, 1/4-20 x 3/4 .....	1	331	1754787	Clutch Retainer .....	1
219	1752694	Trim.....	1	332	1748146	Square Key, 1/4 x 2-1/2 .....	1
236	1186329	Flange Screw, 5/16-18 x 3/4.....	2	333	1766119001	Control Mounting Bracket.....	1
278	1735531	Cable Tie.....	2	334	1100244	Spring Lock Washer, 7/16 .....	1
315	1766341	Fuel Tank Pad .....	1	335	1762042	Hex Head Screw, 3/8-16 x 1 .....	1
316	1766188	Fuel Cap.....	1	337	1185140	Special Lock Washer .....	2
317	1765404	Fuel Tank (Incl. Refs. 533, 534 & 535) .....	1	338	1747993	Screw, 5/16-18 x 3/4 .....	2
318	1767983	Throttle Control.....	1	351	1750687	Hose Clamp .....	2
319	1767982	Choke Control.....	1	352	1767879	Fuel Line .....	1
320	1769006	Oil Drain Hose.....	1	513	1727491	Fuel Filter .....	1
322	1768865	Oil Valve Assmby (Incl. Ref. 539) .....	1	514	*	Muffler Gasket .....	1
323	1766121	Control Knob .....	2	533	1738433	Bushing .....	1
324	1770569	Muffler.....	1	534	1751477	Fuel Tank Elbow.....	1
				535	1768804	Fuel Tank Vent.....	1
				539	1766326	Oil Drain Cap.....	1

(A)—Model 13096

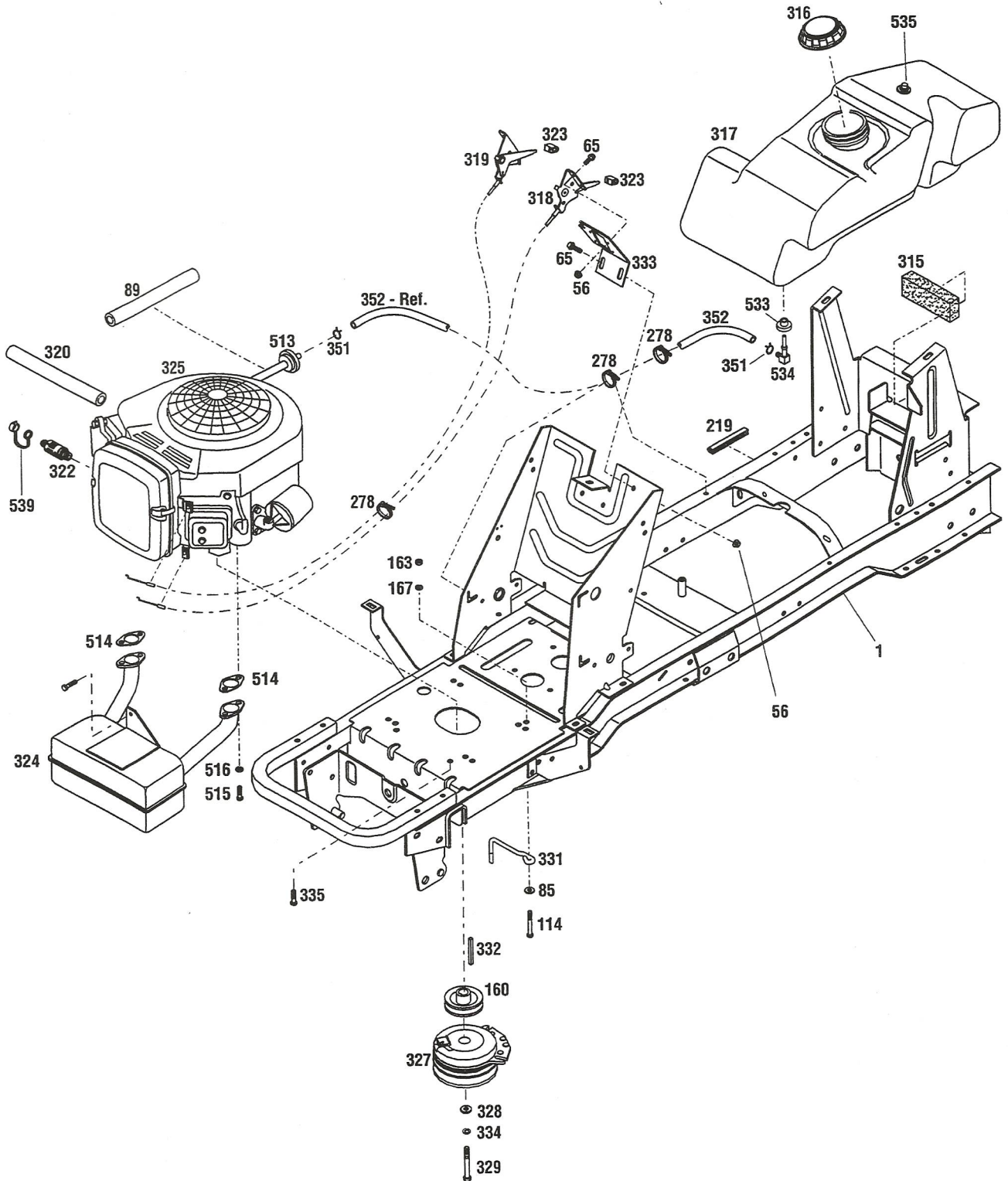
(B)—Model 13097

\* Purchase engine parts from your Briggs & Stratton dealer.  
Refer to engine for type and code.

# TROY-BILT® TRACTOR

S/N 130990100101 - 130990199999

## 16 HP ENGINE ASSEMBLY

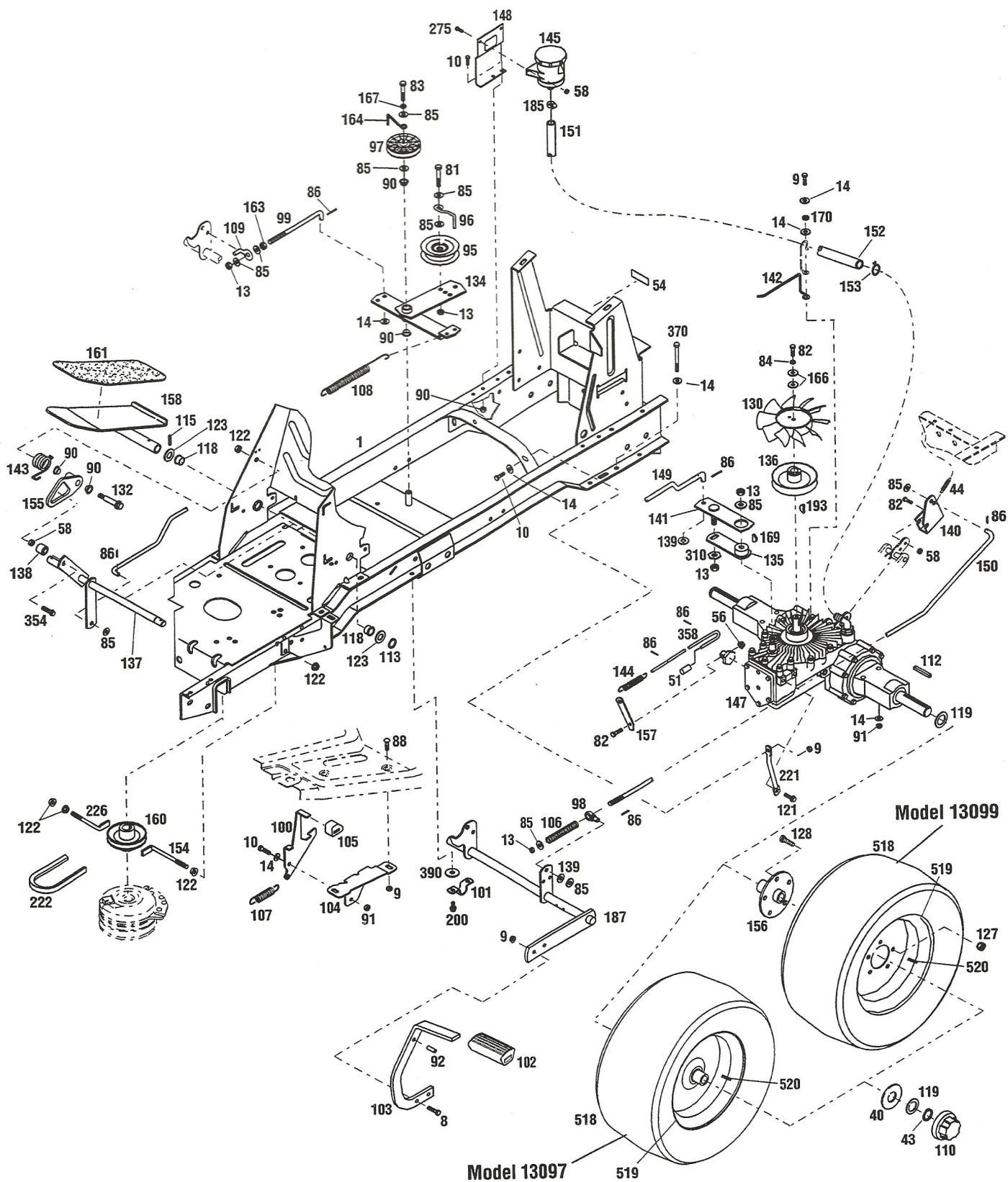




Ref.	Part	Description	Qty.	Ref.	Part	Description	Qty.
1	1771828001	Frame.....	1	324	1770600	Muffler .....	1
56	1186389	Flange Nut, 1/4-20 .....	2	325	*	Engine, 16HP Briggs & Stratton Model 303777 .....	1
65	1186309	Flange Screw, 1/4-20 x 1/2.....	4	327	1755341	Electric Clutch.....	1
84	1100241	Lock Washer, 1/4.....	4	328	1744455	Special Washer.....	1
85	1107383	Flat Washer, 3/8.....	1	329	1767165	Hex Head Screw, 7/16-20 x 3-1/4.....	1
89	1768830	Fuel Line Insulation.....	1	331	1754787	Clutch Retainer .....	1
114	1768194	Thread-Forming Screw, 3/8 x 1-1/2... ..	2	332	1748146	Square Key, 1/4 x 2-1/2.....	1
160	1766201	Engine Sheave .....	1	333	1766119001	Control Mounting Bracket.....	1
163	1186231	Hex Nut, 3/8-16 .....	5	334	1100244	Spring Lock Washer, 7/16 .....	1
167	1100243	Lock Washer, 3/8.....	3	335	1762042	Hex Head Screw, 3/8-16 x 1 .....	2
219	1752694	Trim.....	1	351	1750687	Hose Clamp .....	2
275	1111599	Screw, 1/4-20 x 5/8.....	4	352	1767879	Fuel Line .....	1
278	1735531	Cable Tie.....	5	513	1727491	Fuel Filter .....	1
315	1766341	Fuel Tank Pad .....	1	514	*	Muffler Gasket .....	2
316	1766188	Fuel Cap.....	1	515	1100069	Hex Head Screw, 1/4-20 x 1 .....	4
317	1765404	Fuel Tank (Incl. Refs. 533, 534 & 535)	1	516	1100241	Lockwasher, 1/4 .....	4
318	1758800	Throttle Control.....	1	533	1738433	Bushing .....	1
319	1755926	Choke Control.....	1	534	1751477	Fuel Tank Elbow.....	1
320	1769006	Oil Drain Hose.....	1	535	1768804	Fuel Tank Vent .....	1
322	1768865	Oil Valve Assembly (Incl. Ref. 539)....	1	539	1766326	Oil Drain Cap.....	1
323	1766121	Control Knob .....	2				

\* Purchase engine parts from your Briggs & Stratton dealer.  
Refer to engine for type and code.

## EATON 751 HYDRO TRANSMISSION ASSEMBLY





# MODELS 13097 & 13099

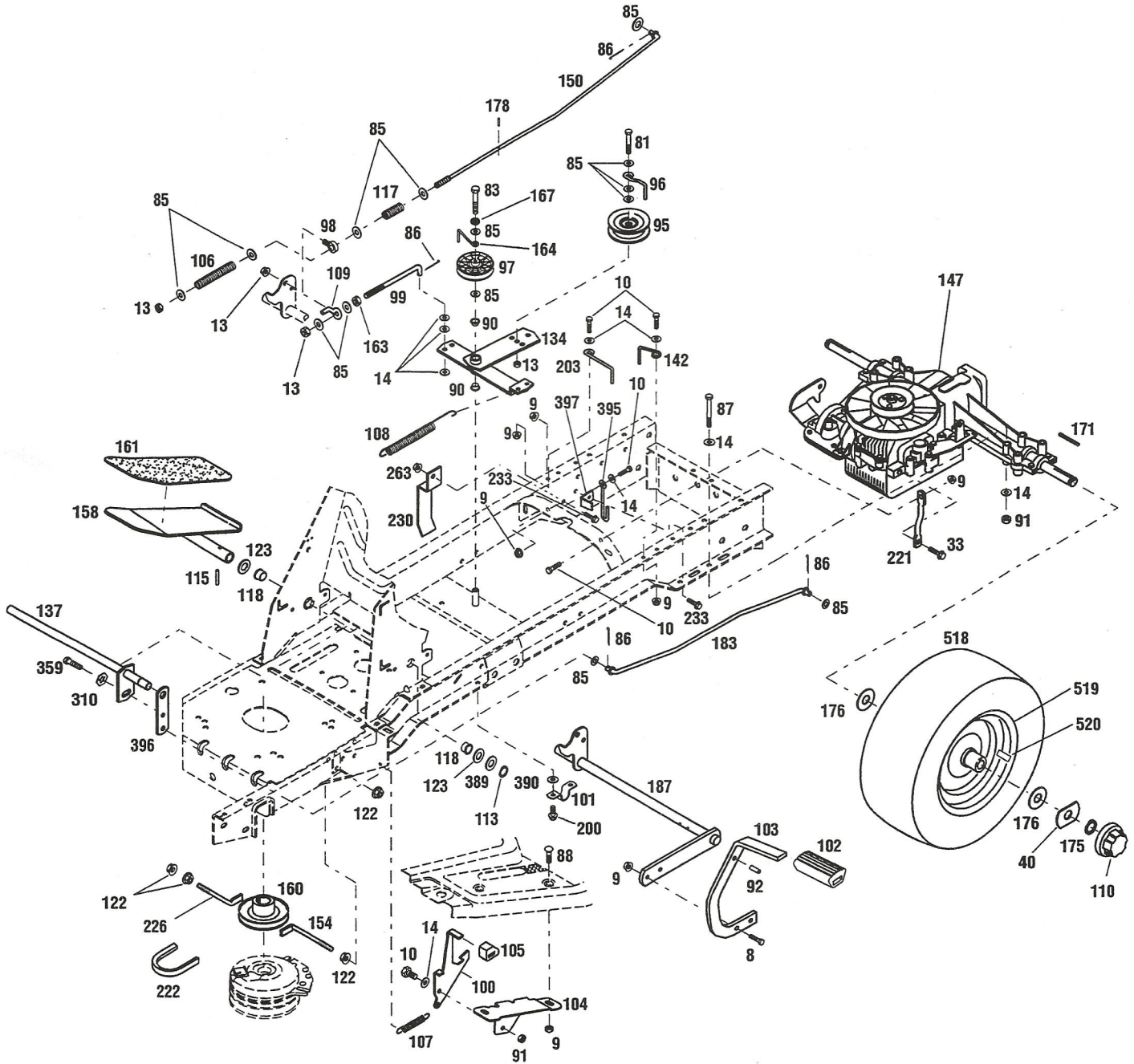
Ref.	Part	Description	Qty.	Ref.	Part	Description	Qty.
1	1771825001	Frame (B).....	1	134	1765064	Idler Arm .....	1
	1771828001	Frame (C).....	1	135	1765067	Hydro Arm .....	1
8	1100045	Hex Head Screw, 5/16-18 x 1 .....	2	136	1765072	Eaton Hydro Sheave.....	1
9	1186391	Flange Nut, 5/16-18 .....	4	137	1765079	Hydro Pivot Shaft .....	1
10	1100044	Hex Head Screw, 5/16-18 x 3/4 .....	5	138	1767807	Ball Bearing.....	1
13	1733398	Hex Toplock Nut, 3/8-16.....	5	139	1890945	Flat Washer, 3/8.....	2
14	1107382	Flat Washer, 5/16.....	10	140	1765253	Hydro Brake Bracket .....	1
40	1766241	Special Washer, 3/4 x 2-1/2.....	2	141	1765289	Hydro Control Arm.....	1
43	1185689	Retaining Ring .....	2	142	1768836	Belt Guide .....	1
44	1765307	Extension Spring.....	1	143	1765306	Torsion Spring.....	1
51	1767984	Handle Grip.....	1	144	1720928	Extension Spring.....	1
54	1767967	Decal, Transmission Release .....	1	145	1772331	Expansion Tank.....	1
56	1186389	Flange Nut, 1/4-20 .....	1	147	1772032	Transmission, Eaton 751 (See breakdown, pg. 22).....	1
58	1734398	Top Lock Nut, 1/4-20.....	5	148	1772378001	Expansion Tank Support.....	1
81	1100048	Hex Cap Screw, 3/8-16 x 2 .....	1	149	1765353	Hydro Control Rod.....	1
82	1100069	Hex Cap Screw, 1/4-20 x 1 .....	4	150	1765354	Brake Rod .....	2
83	1100086	Hex Cap Screw, 3/8-16 x 1-3/4 .....	1	151	1772386	Hose, 5/8 .....	1
84	1100241	Lock Washer, 1/4 SAE .....	1	152	1772375	Hose Support.....	1
85	1107383	Flat Washer, 3/8.....	6	153	1765478	Hose Clamp, 5/8 .....	4
86	1100346	Cotter Pin, 3/32 x 3/4.....	6	154	1766025	Belt Guide .....	1
88	1186097	Carriage Bolt, 5/16-18 x 5/8.....	1	155	1766015	Hydro Neutral Return.....	1
90	1715538	Nyliner Bushing .....	1	156	1766019	Wheel Hub (C) .....	2
91	1732499	Lock Nut, 5/16-18.....	7	157	1767909	Dump Valve .....	1
92	1770205	Drive Pin, 5/16 x 3/4.....	1	158	1766085001	Hydro Pedal .....	1
95	1756151	Idler Pulley.....	1	160	1766201	Engine Sheave .....	1
96	1760096	Belt Guide .....	1	161	1766202	Foot Pedal Pad.....	1
97	1760097	Idler Pulley.....	1	163	1186231	Hex Nut, 3/8-16 .....	1
98	1751848	Swivel .....	1	164	1767900	Belt Guide .....	1
99	1772460	Clutch Rod.....	1	166	1720883	Washer, 1/4 I.D. x 1-1/4 O.D.....	1
100	1771514	Brake Lock Latch .....	1	167	1100243	Lock Washer, 3/8.....	1
101	1765156	Clip, 3/4 .....	1	169	1100905	Woodruff Key, 1/8 x 1/2.....	1
102	1765167	Foot Pedal Pad.....	1	170	1100242	Lock Washer, 5/16.....	1
103	1765252	Brake Pedal.....	1	185	1984024	Hose Clamp .....	1
104	1765257	Brake Lock Bracket .....	1	187	1770312	Brake Pedal.....	1
105	1765297	Brake Pad .....	1	193	1185885	Woodruff Key, 3/16x 5/8.....	1
106	1765305	Compression Spring.....	1	200	1724491	Flange Screw, 5/16-18 x 3/4.....	4
107	1985140	Extension Spring.....	1	221	1765165	Transmission Support .....	1
108	1765402	Extension Spring.....	1	222	1765349	V-Belt.....	1
109	1765461	Pivot Rod .....	1	226	1766153	Belt Guide .....	1
110	1766215	Hub Cap.....	2	275	1111599	Hex Head Screw, 1/4-20 x 5/8 .....	2
112	1104338	Square Key, 1/4 x 2.....	2	310	1185715	Lock Washer, 3/8.....	1
113	1118808	Retaining Ring .....	1	354	1186313	Flange Screw, 1/4-20 x 1-1/4.....	1
115	1120210	Drive Pin, 3/16 x 1 .....	1	358	1767907	Dump Valve Rod.....	1
118	1185802	Flange Bearing .....	2	370	1111610	Cap Screw, 5/16-18 x 3 .....	1
119	1185816	Washer, 1-1/64 ID .....	6	390	1705108	Flat Washer, 3/8.....	4
121	1186327	Lock Screw, 5/16-18 x 1/2.....	1	518	1766275	Tire, 20 x 8-10, Multi Trac CS (B) .....	2
122	1186393	Flange Nut, 3/8-16 .....	5		1768795	Tire, 23 x 10.5-12, Multi Trac CS (C) .....	2
123	1715301	Thrust Washer, 5/8 x 1/1/8 .....	2	519	1772256	Rim (B) .....	2
127	1753025	Lug Nut, 7/16-20 (C) .....	10		1766131	Rim (C).....	2
128	1753026	Wheel Stud (C) .....	10	520	1718086	Valve Stem.....	2
130	1760370	Fan.....	1				
132	1763219	Shoulder Screw .....	1				

(B)—Model 13097

(C)—Model 13099



## PEERLESS VST 205 HYDRO TRANSMISSION ASSEMBLY



15 Hp.

Ref.	Part	Description	Qty.	Ref.	Part	Description	Qty.
8	1100045	Hex Head Screw, 5/16-18 x 1 .....	3	134	1765064	Idler Arm .....	1
9	1186391	Flange Nut, 5/16-18 .....	8	137	1765079	Hydro Pivot Shaft .....	1
10	1100044	Hex Head Screw, 5/16-18 x 3/4 .....	4	142	1772191	Belt Guide .....	1
13	1733398	Hex Top Locknut, 3/8-16 .....	3	147	1772033	Transmission, Peerless Model VST 205 (See page 24 for breakdown).....	1
14	1107382	Flat Washer, 5/16.....	13	150	1772208	Brake Rod .....	1
33	1766984	Flange Lock Screw, 5/16-18 x 3/4 .....	2	154	1765482	Belt Guide .....	1
40	1766241	Special Washer, 3/4 x 2-1/2.....	2	158	1766085001	Hydro Pedal .....	1
81	1100048	Hex Screw, 3/8-16 x 2 .....	1	160	1772330	Engine Pulley .....	1
83	1100086	Hex Screw, 3/8-16 x 1-3/4.....	1	161	1766202	Foot Pedal Pad.....	1
85	1107383	Flat Washer, 3/8.....	10	163	1186231	Hex Nut, 3/8-16 .....	1
86	1100346	Cotter Pin, 3/32 x 3/4.....	7	164	1767900	Belt Guide .....	1
87	1111609	Hex Screw, 5/16-18 x 2-3/4.....	4	167	1100243	Lock Washer, 3/8.....	1
88	1186097	Carriage Bolt, 5/16-18 x 5/8.....	2	171	1983110	Key .....	2
90	1715538	Nyliner Bushing .....	3	175	1185388	Retaining E-Ring, 5/8.....	1
91	1732499	Locknut, 5/16-18 .....	3	176	1747998	Flat Washer, 3/4 x 1-7/8 .....	3
92	1770205	Drive Pin, 5/16 x 3/4 .....	1	178	1724885	Roll Pin .....	1
95	1756151	Idler Pulley.....	1	183	1772222	Hydro Control Rod.....	1
96	1760096	Belt Guide .....	1	187	1770327	Brake Pedal.....	1
97	1760097	Idler Pulley.....	1	200	1724491	Flange Lock Screw.....	4
98	1769038	Swivel .....	1	203	1767966	Belt Guide .....	1
99	1772460	Clutch Rod.....	1	221	1772207	Transmission Support .....	1
100	1771514	Brake Lock Latch .....	1	222	1772253	V-Belt.....	1
101	1765156	Clip, 3/4 .....	2	226	1766153	Belt Guide .....	1
102	1765167	Foot Pedal Pad.....	1	230	1772439	Deflector Bracket .....	1
103	1765252	Brake Pedal.....	1	233	1186328	Flange Screw, 5/16-18 x 5/8 .....	2
104	1765257	Brake Lock Bracket.....	1	263	1744708	Flange Top Lock Nut, 5/16-18.....	2
105	1765297	Brake Pad .....	1	310	1185715	Special Lock Washer .....	1
106	1765305	Compression Spring.....	1	359	1100913	Hex Head Screw, 3/8-16 x 7/8 .....	1
107	1985140	Extension Spring.....	1	389	1705093	Flat Washer, 5/8.....	1
108	1765402	Extension Spring.....	1	390	1705108	Flat Washer, 3/8.....	2
109	1765461	Pivot Rod.....	1	395	1772206	Brake Rod Guide.....	1
110	1766215	Hub Cap.....	2	396	1772223	Control Arm .....	1
113	1118808	Retaining Ring .....	1	397	1772776	Stop Bracket .....	1
115	1120210	Drive Pin, 3/16 x 1 .....	1	518	1766275	Tire, 20 x 8.00-10 .....	2
117	1755319	Compression Spring.....	1	519	1765607	Rim.....	2
118	1185802	Flange Bearing.....	2	520	1718086	Valve Stem.....	2
122	1186393	Flange Nut, 3/8-16.....	5				
123	1715301	Thrust Washer, 5/8 x 1/1/8.....	2				





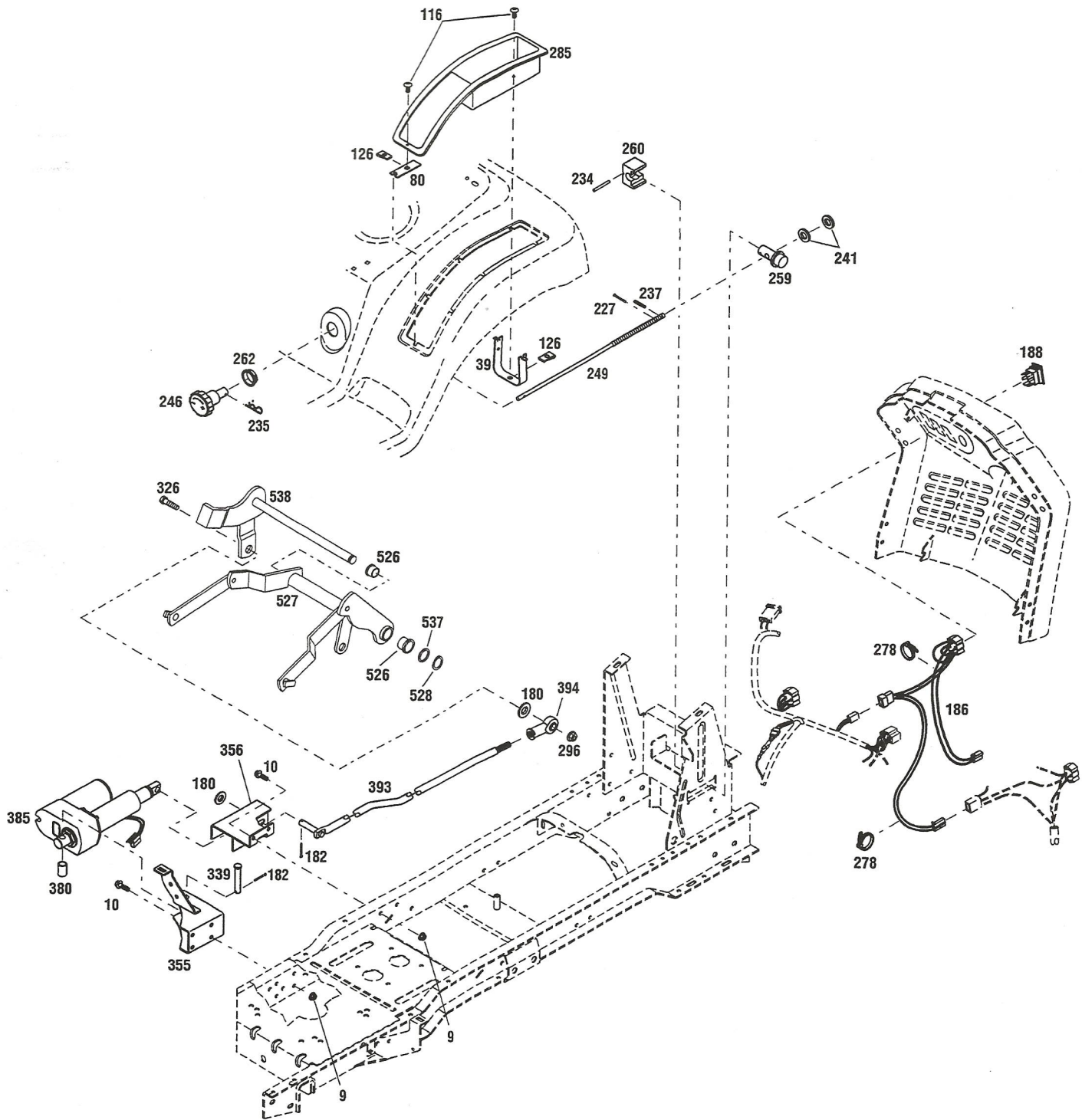
## MODELS 13096 & 13097

Ref.	Part	Description	Qty.	Ref.	Part	Description	Qty.
9	1186391	Flange Nut, 5/16-18 .....	3	248	1766029001	Latch.....	1
13	1733398	Hex Top Locknut, 3/8-16 .....	2	249	1766048	Height Adjust Screw (B) .....	1
29	1177567	"E" Retaining Ring, 5/8.....	2	250	1766057	Lift Clamp .....	2
85	1107383	Flat Washer, 3/8.....	6	251	1766058	Lift Rod.....	2
163	1186231	Hex Nut, 3/8-16 .....	2	252	1772438	Rear Lift Swivel.....	2
197	1767877	Decal, Warning .....	2	254	1766080	Spacer .....	2
227	1100349	Cotter Pin, 1/8 x 3/4.....	1	255	1766174	Extension Spring.....	1
231	1111614	Hex Head Screw, 3/8-16 x 3 .....	2	256	1766175	Shoulder Screw .....	1
232	1100799	Hex Head Screw, 3/8-16 x 1-1/4.....	1	257	1766178	Rod.....	1
234	1185376	Drive Pin (B) .....	1	259	1766257	Height Adjust Block (B).....	1
235	1817091	Hitch Pin (B) .....	1	260	1766259	Height Adjust Collar (B) .....	1
236	1186329	Flange Screw, 5/16-18 x 3/4.....	2	261	1766340	Lift Grip .....	1
237	1187961	Drive Pin, 5/32 x 1 (B) .....	1	262	1766346	Snap Bushing Grommet (B).....	1
239	1714521	Spherical Bearing.....	1	276	1767880	Lift Button.....	1
240	1717942	Special Nut, 5/16-18.....	1	525	1766032001	Lift Handle .....	1
241	1738490	Flat Washer, 1/2 x 1 (B).....	2	526	1764140	Bushing .....	2
242	1763355	Flat Washer, 3/8 x 1-1/2 .....	2	527	1766068001	Lift .....	1
243	1765445	Lift Assist Spring .....	1	528	1185649	Retaining Ring .....	1
244	1765457	Lift Assist Bracket.....	1	529	1768718	Right Lift Link Assembly (Incl. Ref. 197).....	1
245	1765458	Lift Assist Screw.....	1	530	1768717	Left Lift Link Assembly (Incl. Ref. 197).....	1
246	1765485	Height Adjust Knob (B).....	1				
247	1766028	Detent Block .....	1				

(A)—Model 13096

(B)—Model 13097

## ELECTRIC LIFT ASSEMBLY



Ref.	Part	Description	Qty.	Ref.	Part	Description	Qty.
9	1186391	Flange Nut, 5/16-18.....	6	260	1766259	Height Adjust Collar.....	1
10	1100044	Hex Head Screw, 5/16-18 x 3/4.....	6	262	1766346	Snap Bushing Grommet.....	1
39	1772088	Utility Box Retainer.....	1	278	1735531	Cable Tie.....	2
80	1772156	Utility Box Retainer.....	1	285	1771873	Utility Box.....	1
116	1772164	Screw, 1/4-20 x 7/8.....	2	296	1185496	Center Lock Nut, 1/2-13.....	1
126	1772157	Speed Nut, 1/4-20.....	1	326	1771784	Special Screw, 1/2-13 x 1-1/2.....	1
180	1107385	Flat Washer, 1/2.....	2	339	1706621	Clevis Pin, 1/2.....	1
182	1100350	Cotter Pin, 1/4 x 1.....	2	355	1770688	Front Support.....	1
186	1771681	Actuator Harness.....	1	356	1771799001	Rear Support.....	1
188	1771668	Rocker Switch.....	1	380	1770694	Spacer.....	1
227	1100349	Cotter Pin, 1/8 x 3/4.....	1	385	1771678	Actuator.....	1
234	1185376	Drive Pin.....	1	393	1771802	Lift Rod.....	1
235	1817091	Hitch Pin.....	1	394	1771814	Rod End.....	1
237	1187961	Drive Pin.....	1	526	1764140	Bushing.....	2
241	1738490	Flat Washer, 1/2 x 1.....	2	527	1766068001	Lift.....	1
246	1765485	Height Adjust Knob.....	1	528	1185649	Retaining Ring.....	1
249	1766048	Height Adjust Screw.....	1	537	1701447	Washer.....	AR
259	1766257	Height Adjust Block.....	1	538	1771674001	Pivot Arm.....	1

AR—As required.



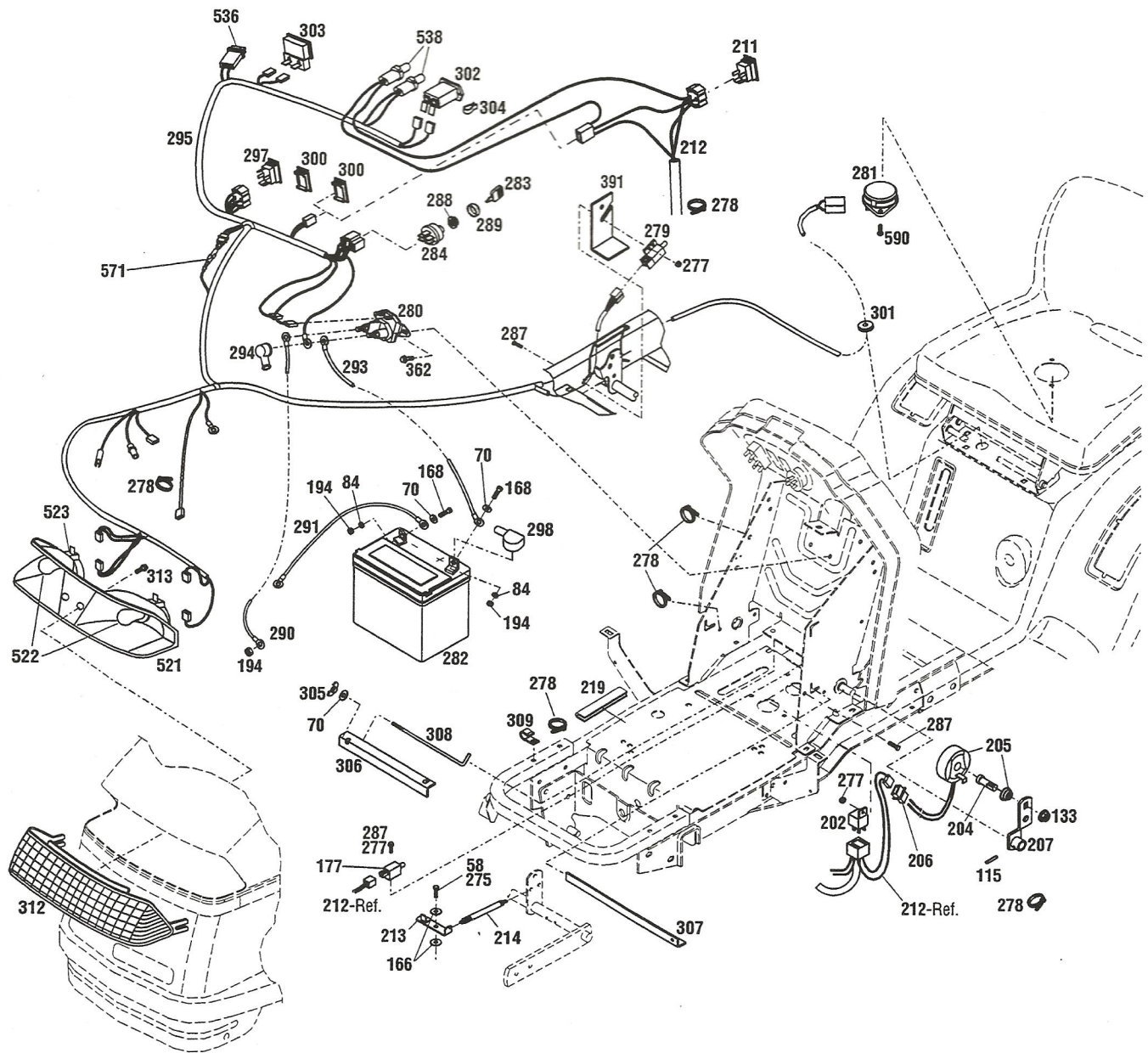
# TROY-BILT® TRACTOR

## ELECTRICAL ASSEMBLY

S/N 130960100101 - 130960199999

130970100101 - 130970199999

130990100101 - 130990199999



## MODELS 13096, 13097 & 13099

Ref.	Part	Description	Qty.	Ref.	Part	Description	Qty.
58	1734398	Top Locknut, 1/4-20 (C) .....	1	289	1758147	Cap .....	1
70	1107381	Flat Washer, 1/4.....	3	290	1764898	Starter Cable.....	1
84	1100241	Lock Washer, 1/4 SAE .....	2	291	1764886	Negative Battery Cable.....	1
115	1120210	Drive Pin, 3/16 x 1 (C).....	1	293	1764888	Battery Cable.....	1
133	1186396	Flange Nut, 7/16-20 (C).....	1	294	1764890	Solenoid Boot .....	1
166	1720883	Washer, 1/4 I.D. x 1-1/4 O.D (C).....	1	295	1771660	Main Harness (A) (B).....	1
168	1100805	Hex Head Screw, 1/4-20 x 3/4 .....	2		1771661	Main Harness (C).....	1
177	1748723	Push-Button Switch (C).....	1	297	1771865	PTO Switch.....	1
194	1186229	Hex Nut, 1/4-20 .....	2	298	1764899	Terminal Boot .....	1
202	1749907	Relay (C).....	1	300	1766184	Switch Cover (A) (B).....	1
204	1750736	Special Screw (C) .....	1	301	1766264	Grommet .....	1
205	1768971	Magnet (C).....	1	302	1771652	Hour Meter .....	1
206	1767852	Housing Pin Terminal (C) .....	1	303	1764884	Ammeter (C).....	1
207	1766290	Cruise Arm (C).....	1	304	1766185	Tinnerman Clip (C).....	2
211	1766350	Cruise Switch (C).....	1	305	1709652	Wing Locknut, 1/4-20.....	2
212	1766351	Cruise Harness (C).....	1	306	1765258001	Battery Clamp .....	1
213	1767803	Cruise Arm (C).....	1	307	1765444001	Lower Battery Angle.....	1
214	1767822	Spring (C).....	1	308	1766163	Hook Bolt.....	1
219	1752694	Trim.....	1	309	1747738	J-Clamp .....	1
275	1111599	Hex Head Screw, 1/4-20 x 5/8 .....	2	312	1765400	Lense.....	1
277	1185985	Keps Nut, #10-24.....	3	313	1185712	Self-Threading Screw .....	1
278	1735531	Cable Tie .....	4	362	1724492	Self-Tapping Screw, 1/4-20 x 1/2 .....	1
279	1751328	Push-Button Switch.....	1	391	1771758	Switch Bracket.....	1
280	1752137	Solenoid .....	1	521	1768803	Headlight Reflector .....	1
281	1752506	Seat Switch.....	1	522	1772001	Light Bulb .....	2
282	1772127	Battery (A) (B) .....	1	523	1752875	Socket.....	2
	1772131	Battery (C) .....	1	536	1768969	Fuse.....	1
283	1753986	Key .....	1	538	1764897	Bulb .....	2
284	1754250	Ignition Switch w/Keys .....	1	571	1755616	Diode .....	1
287	1758070	Sems Screw, #10-24 x 5/8 .....	4	590	1755349	Pan Head Screw, 1/4-20 x 1/2 .....	1
288	1758146	Ignition Switch Mounting Nut.....	1				

(A)—Model 13096

(B)—Model 13097

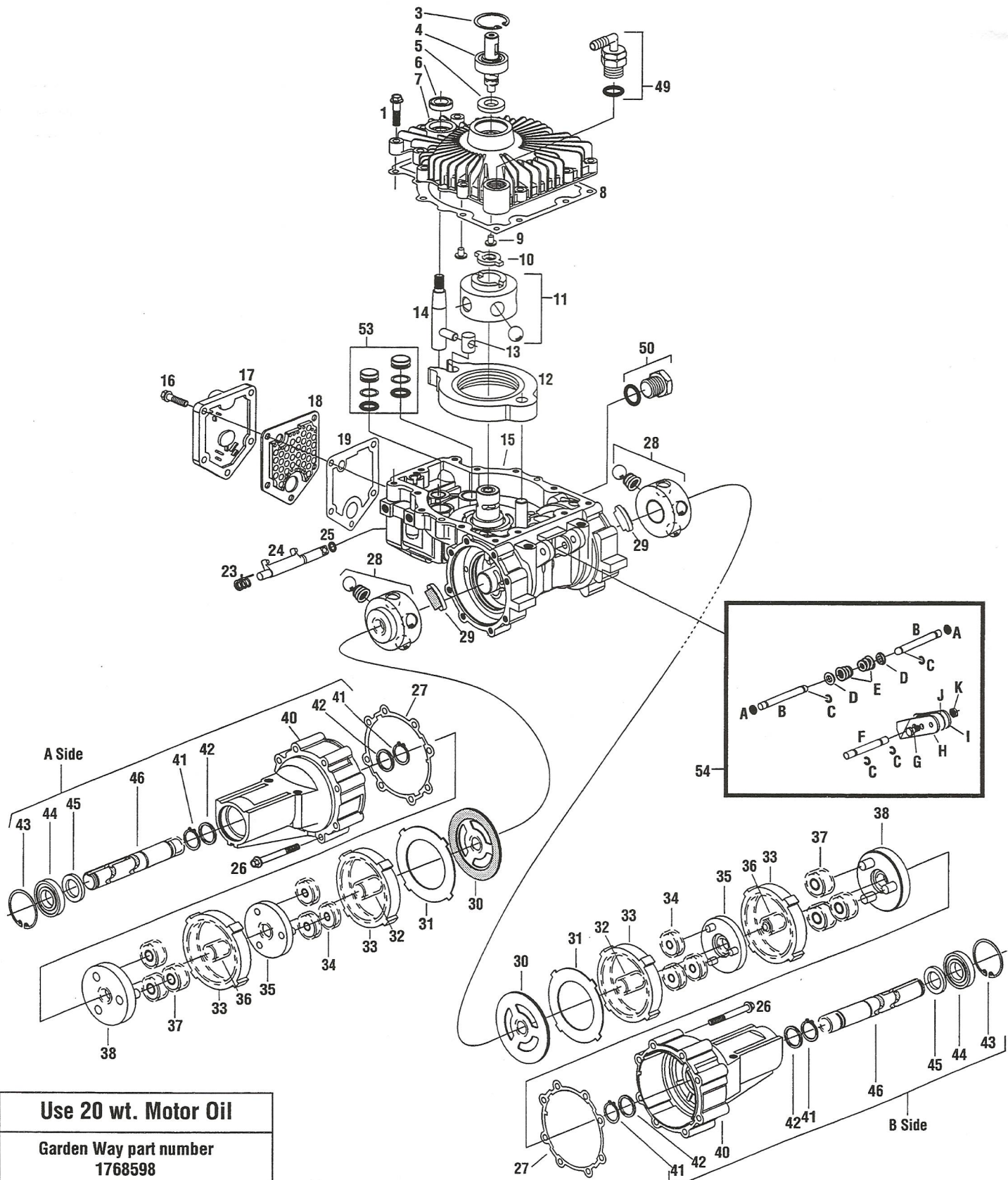
(C)—Model 13099



# TROY-BILT® TRACTOR

S/N 130970100101 - 130970199999  
 130990100101 - 130990199999

## EATON 751 HYDRO TRANSMISSION ASSEMBLY





# MODELS 13097 & 13099

Ref.	Part	Description	Qty.	Ref.	Part	Description	Qty.
1	1769200	Self Tapping Screw, 1/4-20.....	13	33	1769225	Gear, Ring 57T.....	4
3	1769201	Ring, Retaining, Int. ....	1	34	1769226	21T Planet Gear (S/A) First .....	6
4	1760892	Shaft, Input (S/A) .....	1	35	1769227	15T Primary Carrier (S/A) .....	2
5	1760893	Seal input Shaft.....	1	36		15T Sun Gear, Second (Steel).....	2
6	1757374	Seal, Control Shaft .....	1	37		21T Plnt. Gear (S/A) Second (Steel).....	6
7	1769202	Cover .....	1	38	1769230	Secondary Carrier (S/A).....	2
8	1769203	Gasket, Cover.....	1	40	1769231	Axle Housing (S/A) A-Side & B-Side .....	1
9	1769204	Button .....	2	41	1769232	Ring, Retaining, External.....	4
10	1769205	Drive .....	1	42	1769233	Thrust Washer .....	4
11		Pump Rotor/Ball/Pin (S/A) .....	1	43	1769234	Ring, Retaining, Internal .....	2
12		Cam Ring .....	1	44	1757700	Bearing, Ball.....	2
13	1769208	Insert .....	1	45	1769235	Seal, Radial Lip .....	2
14	1769209	Control Shaft, External Thrd.....	1	46	1769236	Shaft, Axle—A-Side .....	1
15	1769211	Housing (S/A) .....	1	49		90° Fitting/O-ring (S/A).....	1
16	1769212	Screw, 1/4-20 Hex Flange .....	A/R	50		Plug/O-ring (S/A) .....	1
17		Filter Base "L" .....	1	53	1769242	Piston, (S/A)	
18		Filter.....	1	54		Brake Lever Parts	
19		Gasket.....	1	A	1769243	Quad Seal.....	2
23	1769217	Spring, Dump Valve .....	1	B	1769244	Rod, Push .....	2
24	1757376	Bracket, Dump Valve.....	1	C	1769245	E-Ring.....	4
25	1757377	Seal, O-ring .....	1	D	1769246	Spring Base (S/A) .....	2
26	1769218	Screw, 5/16 Hex Flange .....	16	E	1769247	Spring Conical.....	2
27	1769219	Gasket, Axle Housing .....	2	F	1769248	Shaft, Brake .....	1
28	1769220	15T Motor Rotor/Ball (S/A) .....	2	G	1769249	Screw, Cap, Hex.....	1
29	1769221	Pad, Friction (S/A).....	2	H	1769250	Lever, Brake, R.H.....	1
30	1769222	Reaction, Plate .....	2	I	1769251	Lever, Brake, L.H.....	1
31	1769223	Plate, Backup .....	2	J	1769252	Shim .....	A/R
32	1769224	15T Sun Gear, First.....	2	K	1769253	Nut, Hex, Lock .....	1

A/R — As Required.

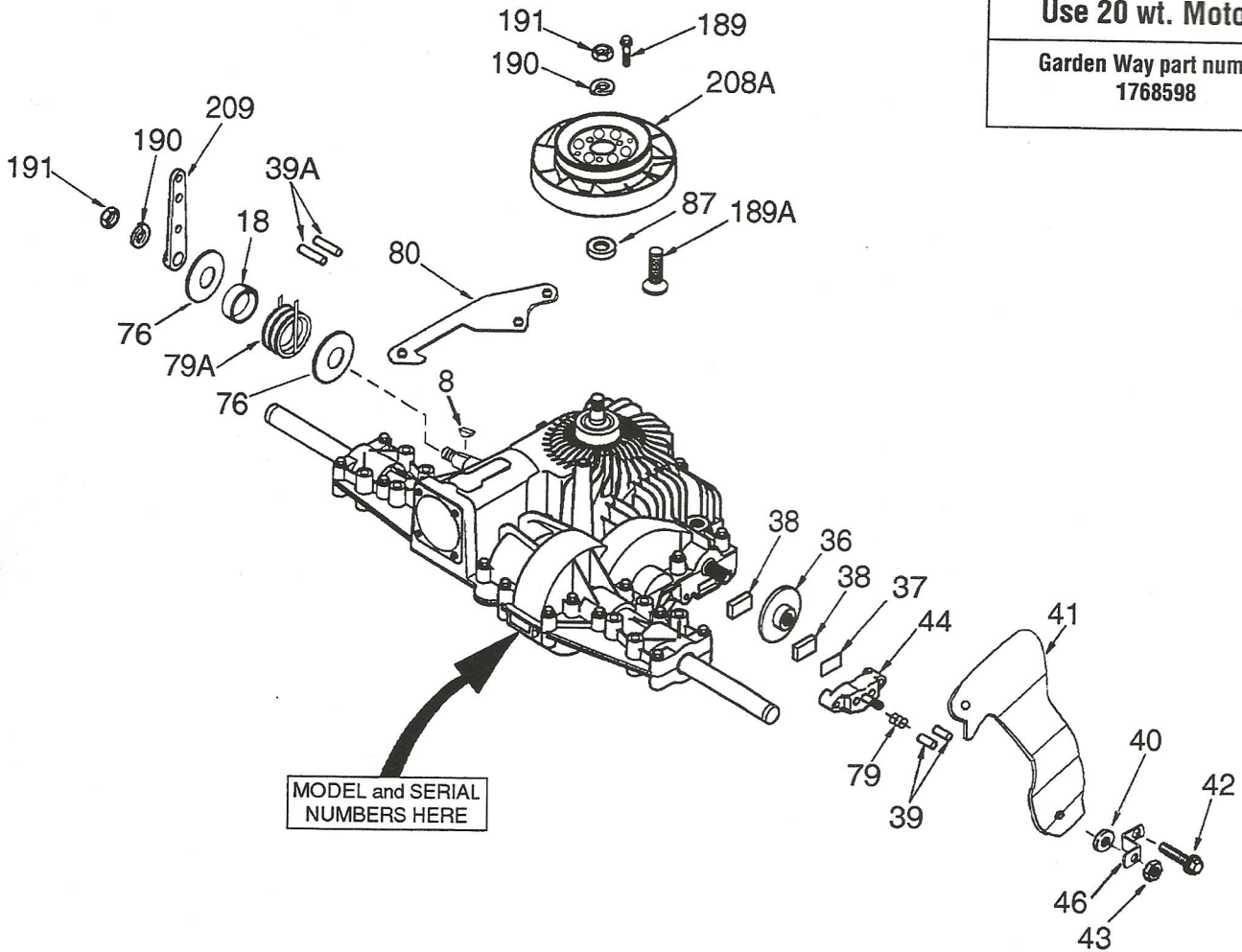
# MODEL 13096

S/N 130960100101 - 13096019999

## PEERLESS VST 205 HYDRO TRANSMISSION BREAKDOWN

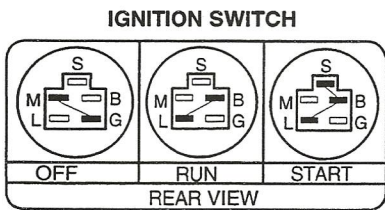
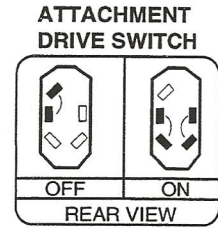
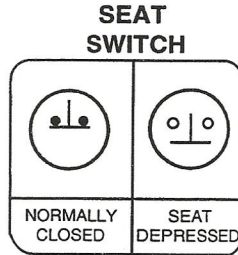
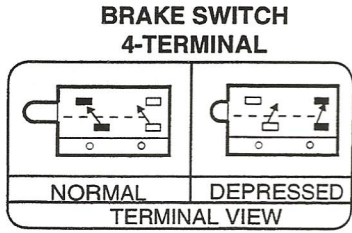
Purchase transmission parts from your Tecumseh/Peerless dealer. Refer to illustration for model/serial number location.

**Use 20 wt. Motor Oil**  
 Garden Way part number  
 1768598



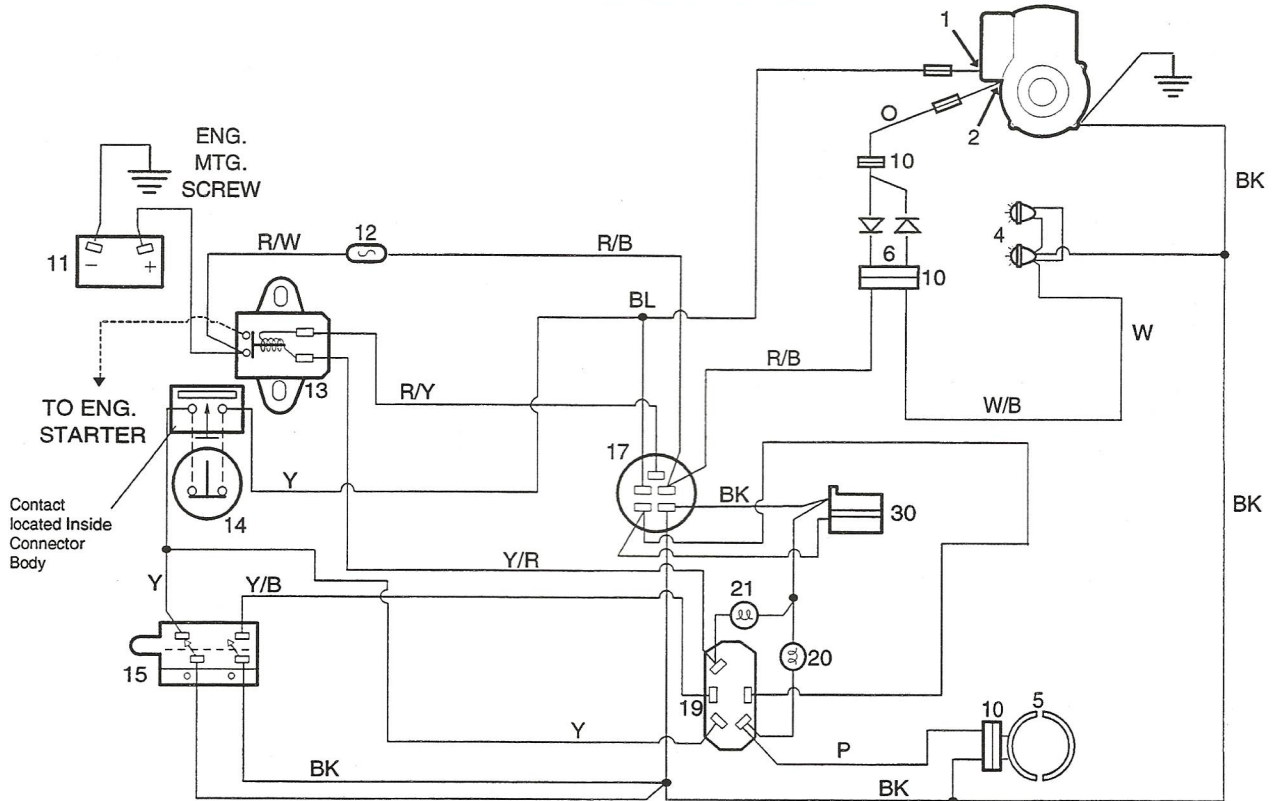
Ref.	Part	Description	Qty.	Ref.	Part	Description	Qty.
8	792175	Woodruff Key.....	1	46	786086	Brake Lever Bracket.....	1
18	786173	Spacer .....	1	76	792174	Flat Washer.....	2
36	790075	Brake Disk.....	1	79	792144	Spring.....	1
37	790007	Brake Pad Plate.....	1	79A	798027	Neutral Return Spring.....	1
38	799021	Brake Pad (pkg of 2).....	2	80	798030	Control Lever Stop.....	1
39	786026	Dowel Pin .....	2	87	788035	Oil Seal 5/8".....	1
39A	786174	Dowel Pin .....	2	189	792168	Drive Screw #6 x 1/2 .....	3
40	792076A	Flat Washer.....	1	189A	792171	Screw 10-24 x 1/2 .....	3
41	790081	Brake Lever.....	1	190	792150	Lockwasher .....	2
42	792073	Screw 1/4-20 x 1-1/4.....	2	191	792151	Nut 7/16-20 .....	2
43	792075	Locknut 5/16-24 .....	1	208A	798031	Fan/Coupling Assy 2WS.....	1
44	790025	Brake Pad Holder.....	1	209	798024	Control Lever.....	1

WIRING DIAGRAM



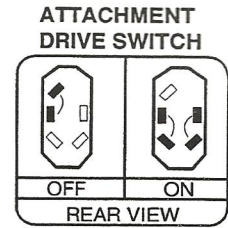
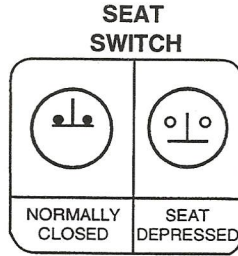
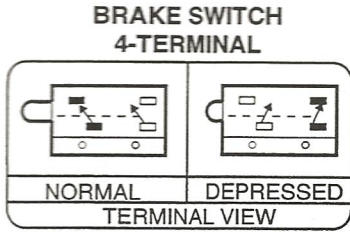
ITEM CODE	
1	Magneto
2	Alternator
4	Headlights
5	Attachment Clutch
6	Diode Assembly
8	Seat Plug with Switch
10	Connector
11	Battery
12	Fuse
13	Start Solenoid
14	Seat Switch
15	Brake Switch
17	Key Switch
19	Attachment Switch
20	Attachment Light
21	Start Light
30	Accessory Plug

WIRE COLOR CODE	
BK	Black
BL	Blue
P	Purple
R	Red
W	White
Y	Yellow
R/W	Red/White
R/B	Red/Black
R/Y	Red/Yellow
Y/R	Yellow/Red
W/B	White/Black
Y/B	Yellow/Black



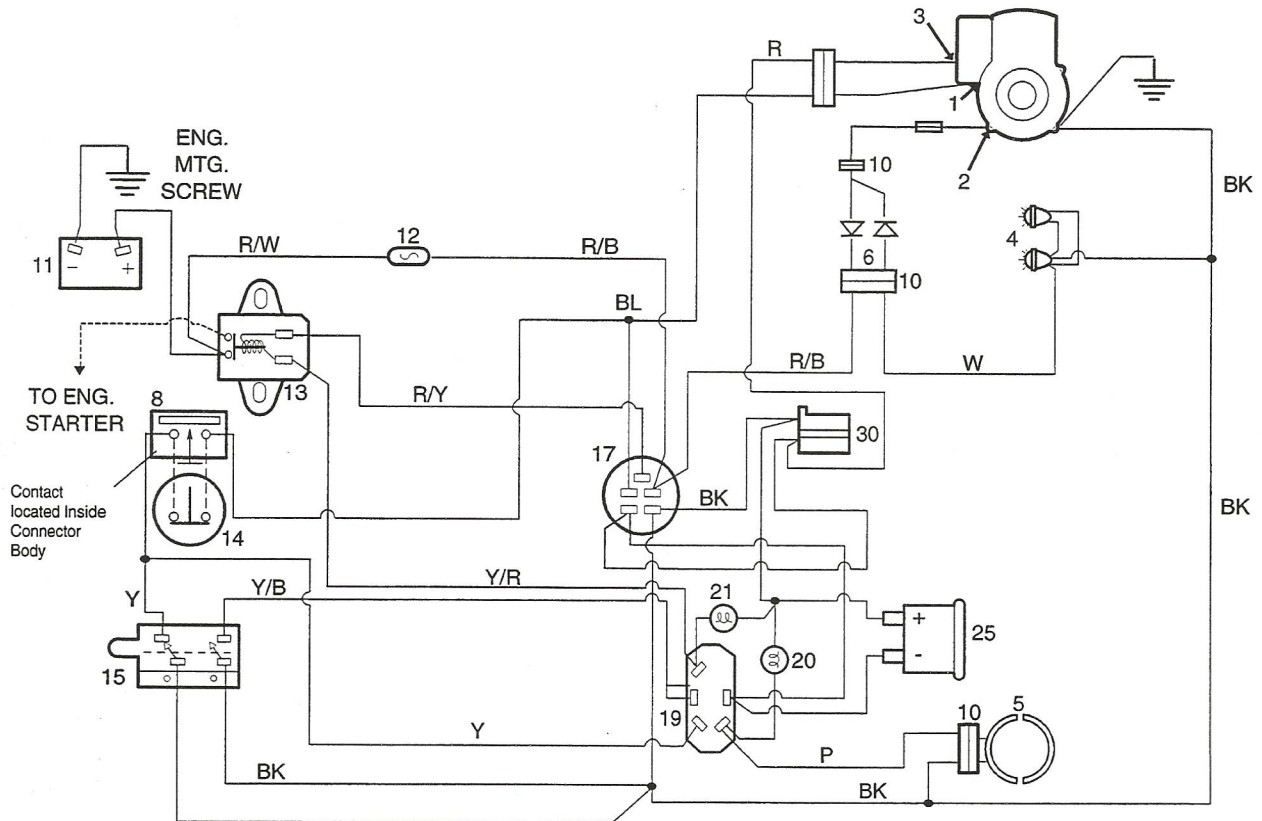
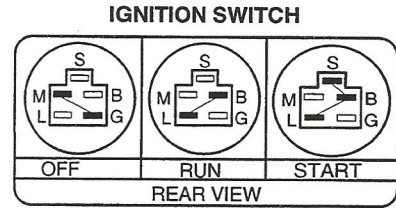


**WIRING DIAGRAM**

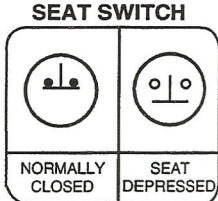
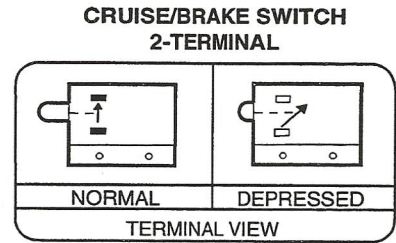
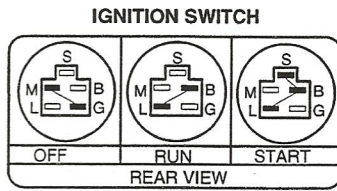
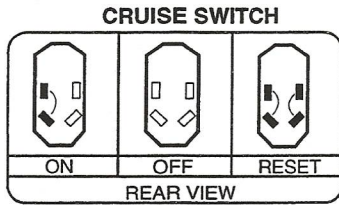


ITEM CODE	
1	Magneto
2	Alternator
3	Fuel Solenoid
4	Headlights
5	Attachment Clutch
6	Diode Assembly
7	Starter
8	Seat Plug with Switch
10	Connector
11	Battery
12	Fuse
13	Start Solenoid
15	Brake Switch
17	Key Switch
19	Attachment Switch
20	Attachment Light
21	Start Light
25	Hourmeter
30	Accessory Plug

WIRE COLOR CODE	
BK	Black
BL	Blue
P	Purple
R	Red
W	White
Y	Yellow
R/W	Red/White
R/B	Red/Black
R/Y	Red/Yellow
Y/R	Yellow/Red
W/B	White/Black
Y/B	Yellow/Black

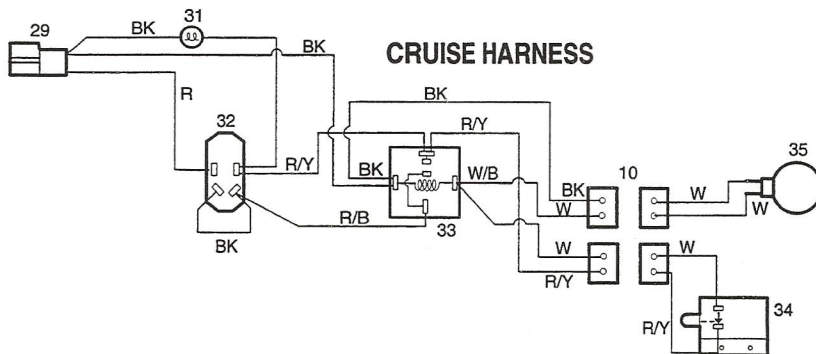
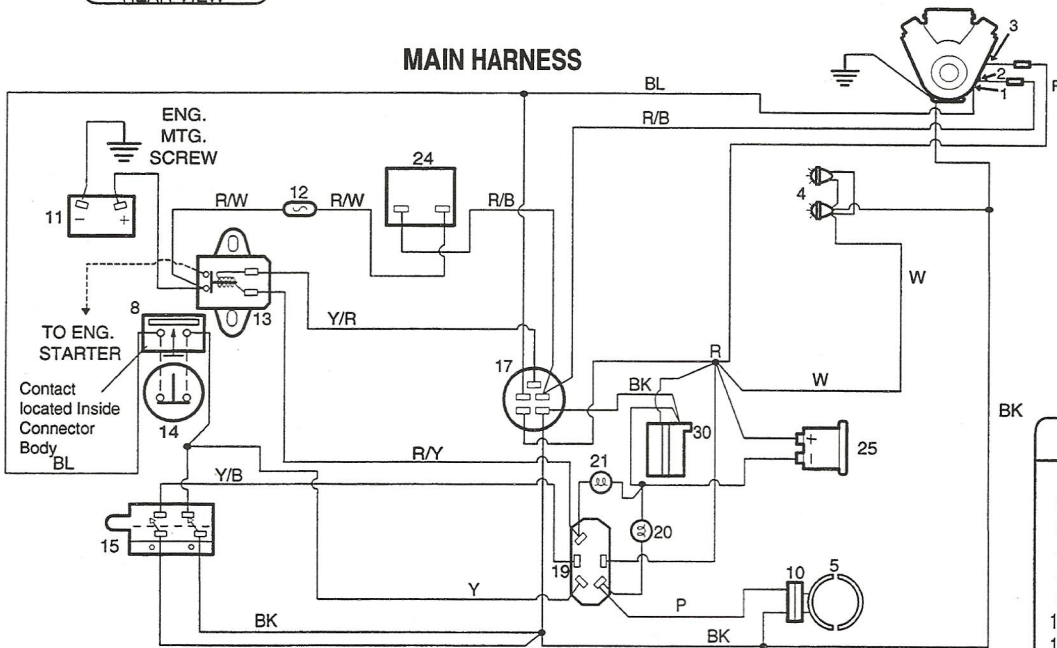
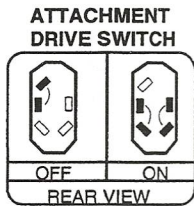
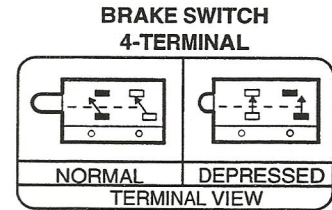


### WIRING DIAGRAM



**WIRE COLOR CODE**

BK	Black
BL	Blue
P	Purple
R	Red
W	White
Y	Yellow
R/W	Red/White
R/B	Red/Black
R/Y	Red/Yellow
Y/R	Yellow/Red
W/B	White/Black
Y/B	Yellow/Black



**ITEM CODE**

1	Magneto
2	Alternator
3	Fuel Solenoid
4	Headlights
5	Attachment Clutch
8	Seat Plug with Switch
10	Connector
11	Battery
12	Fuse
13	Start Solenoid
15	Brake Switch
17	Key Switch
19	Attachment Switch
20	Attachment Light
21	Start Light
24	Ammeter
25	Hourmeter
29	Cruise Socket
30	Cruise Plug
31	Cruise Light
32	Cruise Switch
33	Cruise Relay
34	Cruise/Brake Switch
35	Cruise Magnet



# Parts Ordering Information

---

## If you need service or parts for the unit:

For service assistance or parts, contact your local authorized dealer.

When ordering parts, provide your local dealer or our service department with the model/serial number of the unit, part description and the quantity needed to provide the most efficient service. See below for information on how to identify and record the identification numbers for the unit.

## If you need engine service or parts:

For engine service or parts, contact your local authorized engine dealer. Look in the telephone directory under "Engines-Gasoline" for the name of your nearest authorized engine dealer. An authorized engine dealer can handle all parts, repairs, and warranty service concerning the engine.

### Note:

All genuine replacement parts must conform to our rigid quality specifications. Although some replacement parts may vary slightly in shape, color or texture from the original parts, any variations will not affect the fit or performance of these parts on the unit.

## Identification Numbers

---

### Record the model/serial number.

When ordering parts, provide your local dealer or our service department with the information on the model/serial number decal. For your convenience and ready reference, record this information in the spaces provided below.

Model/serial number: \_\_\_\_\_

Date of Delivery: \_\_\_\_\_

### Record the engine identification numbers.

To obtain engine parts, provide your local authorized engine dealer with the engine identification numbers. Refer to the engine owner's manual for the location of these numbers. Record these numbers in the spaces below.

Engine Manufacturer: \_\_\_\_\_

Engine Horsepower Rating: \_\_\_\_\_

Engine Identification Numbers: \_\_\_\_\_

### *For customer assistance, contact your nearest authorized dealer or:*

In the United States: Garden Way Incorporated • 102nd St. and 9th Ave. • Troy, New York 12180  
For Technical Service: (800) 520-5520 • For Parts: (800) 648-6776

In Canada: Garden Way Incorporated • 320 Van Sickle Rd., Unit 12 • Saint Catherines, Ontario L2R 6P7  
For Technical Service or Parts: (800) 225-3585

## WARNING

**WE URGE USING ONLY GENUINE REPLACEMENT PARTS, WHICH MEET ALL THE LATEST REQUIREMENTS. REPLACEMENT PARTS MANUFACTURED BY OTHERS COULD PRESENT SAFETY HAZARDS, EVEN THOUGH THEY MAY FIT ON THE UNIT!**

---

### IMPORTANT:

Left and right sides of the unit are determined by sitting in the operator's position, facing the direction of forward travel.

### NOTICE:

We reserve the right to change specifications, add improvements or discontinue the manufacture of any equipment without notice or obligation to purchasers of that equipment.