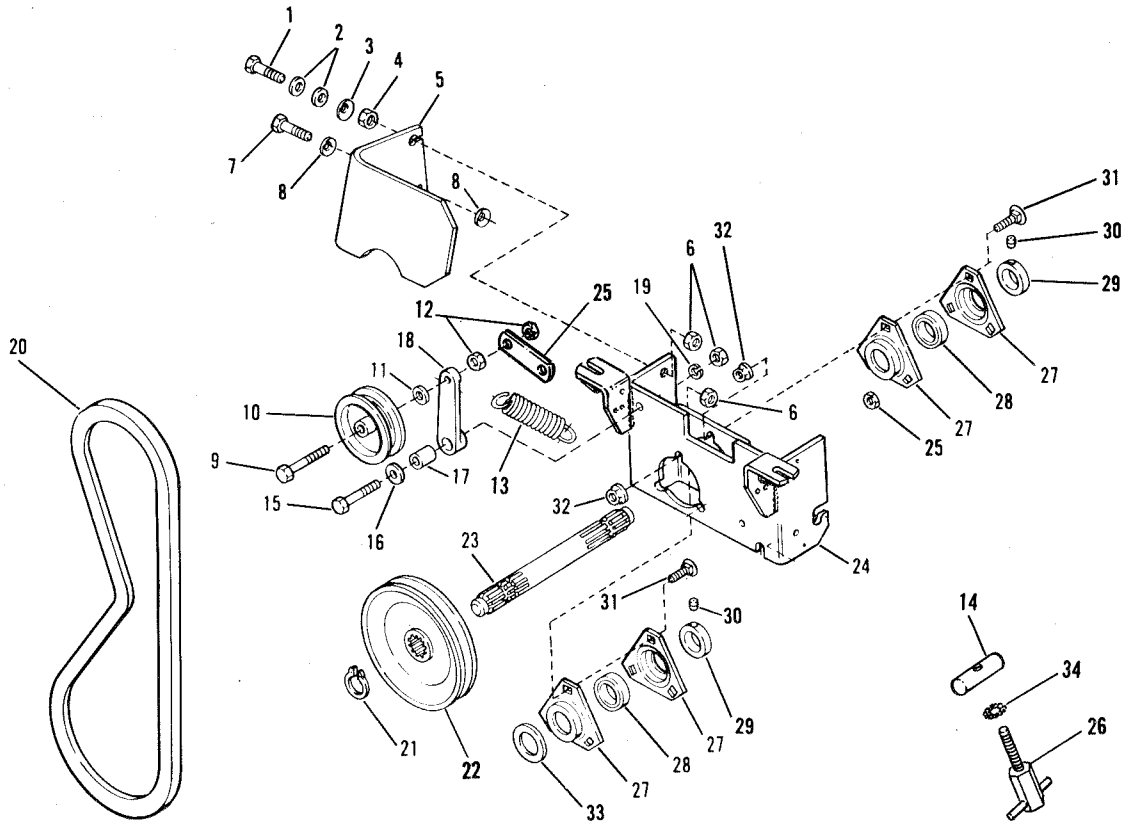


PTO Attachment

Model 18309-04
thru 18309-05

Bolens



REF. NO.	PART NO.	DESCRIPTION	NO. REQ'D.
1	● 1100808	Screw, Hex. Hd. Cap, 5/16-18 x 1-1/4	1
2	● 1100255	Washer, Flat, 5/16 Std.	2
3	1185261	Lockwasher, Dished	1
4	● 1186258	Nut, Hex. Jam, 5/16-18	1
5	1733898	Cover, Belt	1
6	● 1732499	Nut, Top Lock, 5/16-18	3
7	● 1100045	Screw, Hex. Hd. Cap, 5/16-18 x 1	1
8	1705905	Washer, Bowed, 5/16 ID x 5/8	2
9	● 1100048	Screw, Hex. Hd. Cap, 3/8-16 x 2	1
10	1735398	Idler	1
11	● 1100256	Flat Washer, 3/8	1
12	● 1185506	Lock Jam Nut, 3/8-16	2
13	1701322	Spring, Ext.	1
14	1733879	Special Rd. Nut	2
15	● 1100799	Screw, Hex. Hd. Cap, 5/16-18 x 1-1/2	1
16	● 1107382	Washer, Flat, 5/16	1

REF. NO.	PART NO.	DESCRIPTION	NO. REQ'D.
17	1730576	Bushing	1
18	1726922	Arm, Idler	1
19	1100242	Washer, Lock, 5/16	1
20	1726929	Belt, "V"	1
21	1118554	Ring, Ext. Ret.	1
22	1726892	Sheave, PTO (4)	1
	1735521	Sheave, PTO (5)	1
23	1731841	Shaft, PTO	1
24	1734597	Support Assy., PTO	1
25	1733883	Bracket, Spring	1
26	1735403	Handle Assembly	1
27	1185787	Bearing, Flange	4
28	1185587	Bearing, Ball	2
29	1185788	Collar, Bearing	2
30	● 1103437	Screw, Set, Hex. Soc. Hd., 1/4-20	4
31	● 1186469	Bolt, Carriage (Sp.), 5/16-18 x 3/4	6
32	● 1186391	Nut, Flange Lock, 5/16-18	6
33	1185816	Washer, Flat	5
34	1177042	External Lockwasher	2

● Common Hardware - Purchase Locally (Grade 5 where applicable).

Printed by
FMC Corporation
Outdoor Power Equipment Division
Port Washington, Wisconsin 53074

(4) Serial Numbers 0400101 thru 0499999
(5) Serial Numbers 0500101 thru 0599999

FORM P552990-2 (10/78)
Supersedes P552990-1