

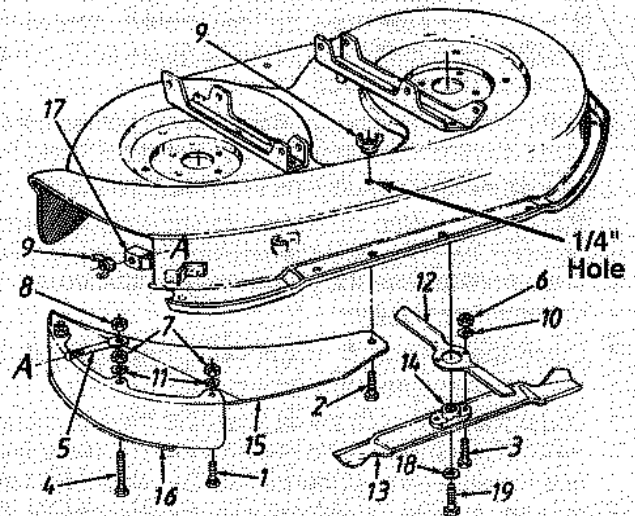
OWNER'S GUIDE

38" AND 42" MULCHING KITS

PARTS LIST FOR MODELS 096 AND 097 MULCHING KITS

REF. NO.	PART NO.	DESCRIPTION	QTY.
1	710-0134	Carriage Bolt 1/4-20 x .62" Lg.	2
2	710-0258	Hex Bolt 1/4-20 x .62" Lg.	1
3	710-3029	Hex Bolt 7/16-20 x 1.25" Lg. (Gr. 5)	4
4	710-0932	Carriage Bolt 1/4-20 x 1" Lg.	1
5	711-0957	Retaining Bolt	1
6	712-0378	Hex Nut 7/16-20 Thd.	4
7	712-0287	Hex Nut 1/4-20 Thd.	3
8	712-0291	Hex L-Nut 1/4-20 Thd.	1
9	712-0397	Wing Nut	2
10	736-0171	L-Wash. 7/16" I.D.	4
11	736-0329	L-Wash. 1/4" I.D.	3
12	742-0539	Mulching Blade 12.5"	2
13	742-0537	Mulching Blade 19.38" (096)	2
	742-0538	Mulching Blade 21.2" (097)	2
14	748-0365	Blade Adapter	2
15	783-0024	Top Mulching Baffle (096)	1
	783-0026	Top Mulching Baffle (097)	1
16	783-0025	Side Mulching Baffle (096)	1
	783-0027	Side Mulching Baffle (097)	1
17	783-0028	Locking Bracket	1
18	736-0217	L-Wash. 3/8" I.D.	2
19	710-1039	Hex Bolt 3/8-24 x 1" Lg. (Gr. 8)	2

Model Numbers
190-096-000 (38")
190-097-000 (42")



NOTE: Specifications subject to change without notice or obligation.

OPERATION

Mulching mowers use a special blade (like the ones in this kit) to chop grass into extra fine clippings, and then blow them back down into the lawn. The small clippings decompose quickly, becoming a natural fertilizer that returns much of the needed nutrients to the soil. Continuous mulching means continuous free natural fertilization, without messy clippings, which results in a much greener, healthier lawn.

FOR BEST RESULTS WHEN MULCHING:

- 1. Clear lawn of debris.** Be sure lawn is clear of stones, sticks, wire or other foreign objects which could damage the lawn mower. Such objects could be accidentally thrown out by the mower in any direction and cause serious personal injury to the operator and others, as well as damage to property and surrounding objects.
- 2. Do not cut wet grass.** For effective mulching do not cut wet grass, because it sticks to the underside of the deck, preventing proper mulching of grass clippings.
- 3. Cut no more than 1/3 the length of the grass.** When mulching long grass, it may be necessary to mow twice, lowering the blade another 1/3 of the length for the second cut, and perhaps cutting in a different pattern. Overlap the cut a little on each pass to help clean up any stray clippings left on the lawn.
- 4. Use a slow ground speed.** Adjust ground speed so clippings can be dispersed evenly into the lawn. For heavy cutting in thick grass, it may be necessary to use a slow ground speed in order to get a clean, well-mulched cut.

- 5. Always operate the tractor at full throttle** to obtain the best cut and do the most effective job of mulching.
- 6. Clean underside of deck.** Be certain to clean the underside of the deck to avoid a build-up of grass, which would prevent proper mulching.
- 7. Mulching leaves.** Leaves may be mulched if they are dry and are not laying too thick on the lawn. Do not wait for all the leaves to be off the trees before you mulch.

IMPORTANT: After the mulching kit has been initially installed onto a unit, it is not necessary to remove the deck to remove or install the kit. It is not necessary to remove the mulching blades when using the lawn tractor as a side discharge mower.

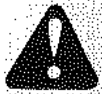
However, to use the optional twin bag grass collector, you **must** remove the mulching blades and baffle assembly, and install the standard high lift blades.



WARNING: If you strike a foreign object stop the engine. Remove wire from spark plug, thoroughly inspect the mower for any damage, and repair the damage before restarting and operating the mower. Extensive vibration of the mower during operation is an indication of damage. The unit should be promptly inspected and repaired.

SERVICE DEPARTMENT • P.O. BOX 368022 • CLEVELAND, OHIO 44136-9722

INSTALLATION INSTRUCTIONS



WARNING: Disconnect the spark plug wire and move away from the spark plug to prevent accidental starting. Protect hands by using heavy gloves or a rag to grasp the cutting blades.

1. Examine the deck on your lawn tractor. If there is a 1/4" diameter hole on the top front of your deck midway between the two spindles (see illustration on reverse side), it is **not** necessary to remove the deck from the lawn tractor in order to install the mulching kit.

If there is **no hole** (older 38" decks only), remove the deck as instructed in the owner's guide for the lawn tractor before proceeding.

2. Engage the parking brake. Raise the front of the tractor up so there is room to work underneath the deck. For your safety, make certain the tractor is braced well.
3. Remove the cutting blades by inserting a block of wood between the blade and the edge of the deck to keep blade from turning, then removing and discarding the center bolt and washer.
4. **Clean the underside of the deck thoroughly** if the unit was used previously.
5. Lower the deck using the lift lever until there is enough room to reach your hand between the top of the deck and the underside of the tractor. The chute deflector may be removed for installation of the mulching kit. **Be certain to reinstall the chute deflector** when mulching kit is removed.
6. Remove the wing nut (Ref. 9) and hex bolt (Ref. 2) from the end of the baffle assembly. Remove the second wing nut and the locking bracket (Ref. 17) from the retaining bolt (Ref. 5).
7. Working inside the deck, insert the baffle assembly into the deck so that the side baffle blocks the chute opening, and the baffle assembly is seated inside the lip of the deck and into the channel in the deck. Pivot the retaining bolt (Ref. 5) so it is in the chute opening.

NOTE: With the baffle in place on the lip of the deck, there will be approximately 2" of space between the baffle and the top surface of the deck. See figure 1.

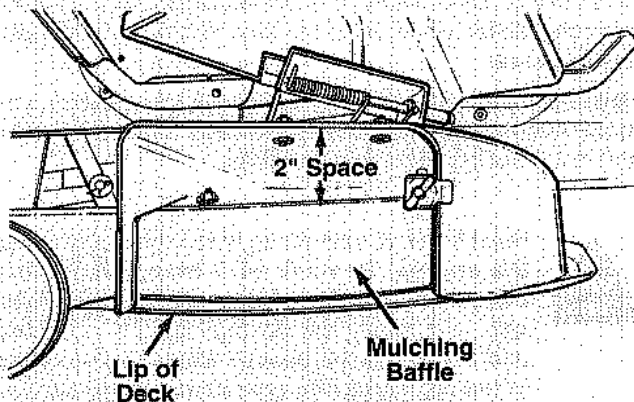


FIGURE 1.

8. Slide the locking bracket onto the retaining bolt so the edge of the chute opening fits into the slot in the bracket. Tighten wing nut onto the retaining bolt until it is just snug and is holding the bracket and baffle assembly in place.

- 9a. **Lawn tractors which have the 1/4" hole in the top of the deck.** Align the hole in the end of the baffle with the hole in the deck by inserting a screwdriver or thin pry bar through both of the holes, then prying the baffle to get it into position. Tapping the baffle assembly with a soft hammer or mallet in the location shown in figure 2 will help seat the baffle securely into the deck channel and aid in the alignment of the holes.

NOTE: If you are having difficulty getting the holes to line up, check areas noted in figure 3 for any excessive interference between the baffle and the deck.

Once the holes are lined up, insert the hex bolt up through the hole in the baffle and the deck, and secure with the second wing nut. Tighten both wing nuts securely.

- 9b. **Lawn tractors which do NOT have the 1/4" hole in the top of the deck.** Tighten the wing nut at the locking bracket. Using a soft hammer or mallet, tap the baffle assembly a couple times in the location shown in figure 2 to seat the baffle securely in the deck channel. Drill a 1/4" diameter hole in the deck using the hole in the baffle as a guide. Secure the baffle to the deck in the same manner as instructed in section 9a.
10. Attach the blade assemblies to the spindles using the 3/8" lock washer (Ref. 18) and center bolt (Ref. 19—Grade 8) provided in kit. Tighten the center bolts securely (between 450 and 600 in lbs.). Rotate the blades by hand to make certain the blades have adequate clearance, and the baffle has been installed correctly.
11. If you removed the deck from the tractor, reattach it following instructions in tractor's owner's guide.

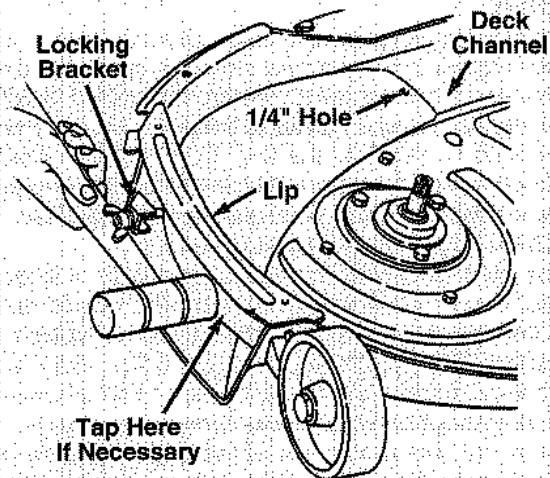


FIGURE 2.

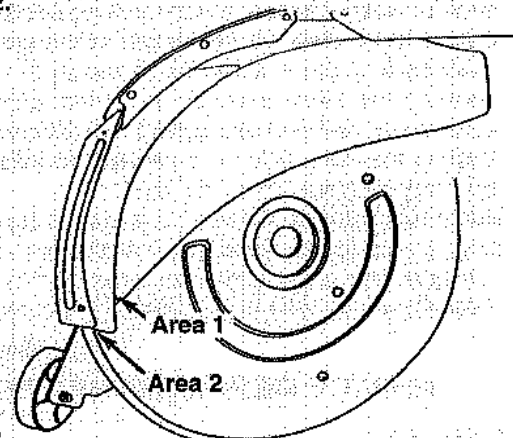


FIGURE 3.