



## PARTS MANUAL

---

**MODEL KT17 Specs 24105 - 24225**

**MODEL KT19 Specs 49107 - 49147**

**MODEL KT21 Specs 32120 - 32148**

**For KT17 specs 24300 & higher and KT19 specs 49200 & higher refer to Parts Manual TP-2135.**

### How To Find Your Part Number

**1** Refer to the Composite Exploded View on pages 2 & 3 (Grids A2 & A3). It contains major engine components boxed and identified by Group Number. Examine these groups for your part. After you locate your part, record the Group Number.

If the part you need is not illustrated, locate a major engine component related to your part and use this component to identify the Group Number.

**2** Obtain the Spec Number from the nameplate attached to the engine shrouding. Refer to the Spec Number Index beginning on page 4 (Grid A4). Listed vertically on the left are Spec Numbers. Listed horizontally across

the top are Group Numbers and their titles, Page and Grid Numbers.

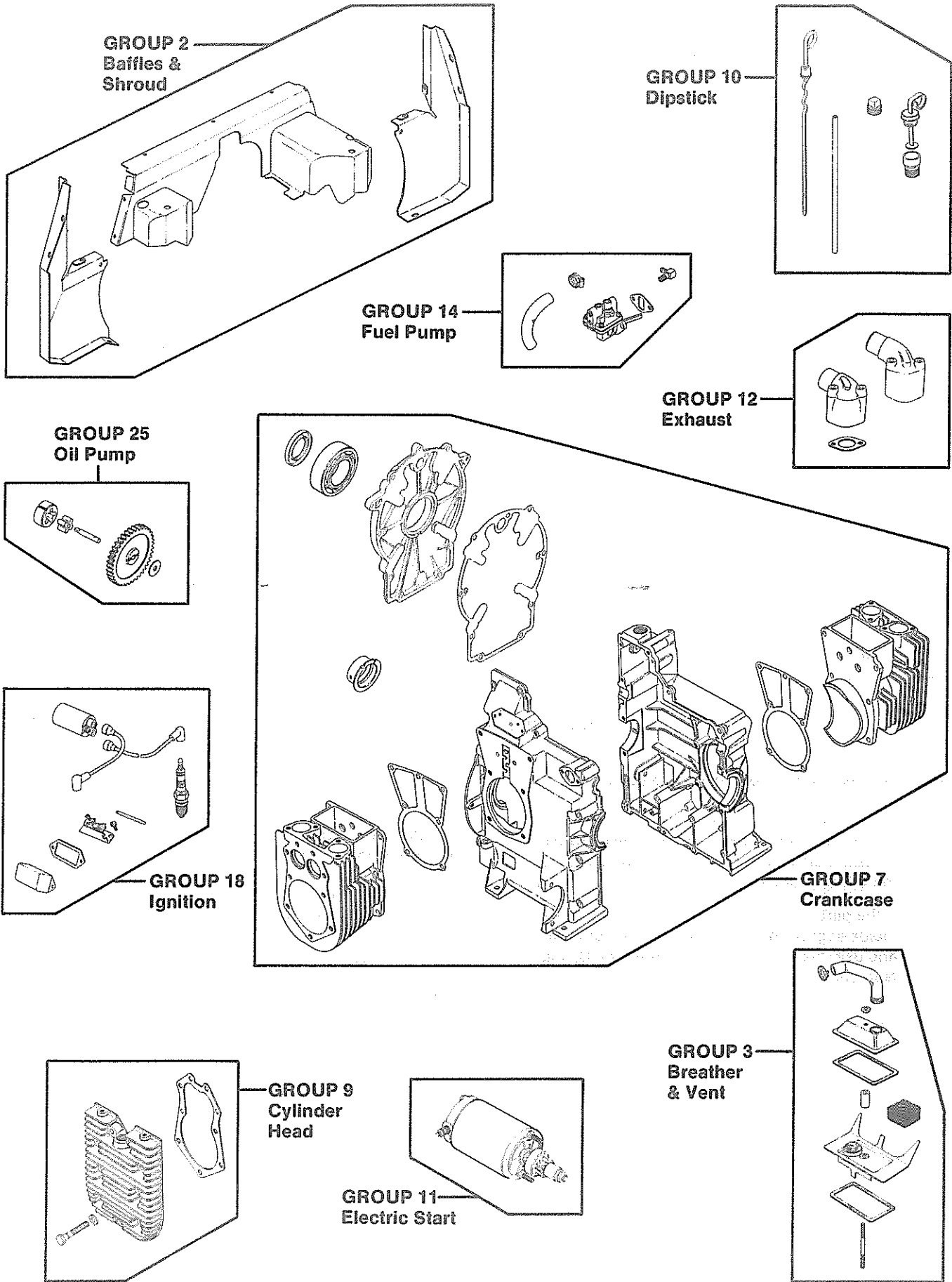
Locate your Spec Number. Follow horizontally from your Spec Number to the Group Number column. Where these two columns meet is the Variation Number of your part. Record that Variation Number.

**3** Refer to the page (or grid) where your part is listed. Locate the part in the illustration, use its identifying index number to locate the part name in the listing. Find the Variation Number of your part in those listed below the part name. Your part number is listed to the right of the Variation Numbers.

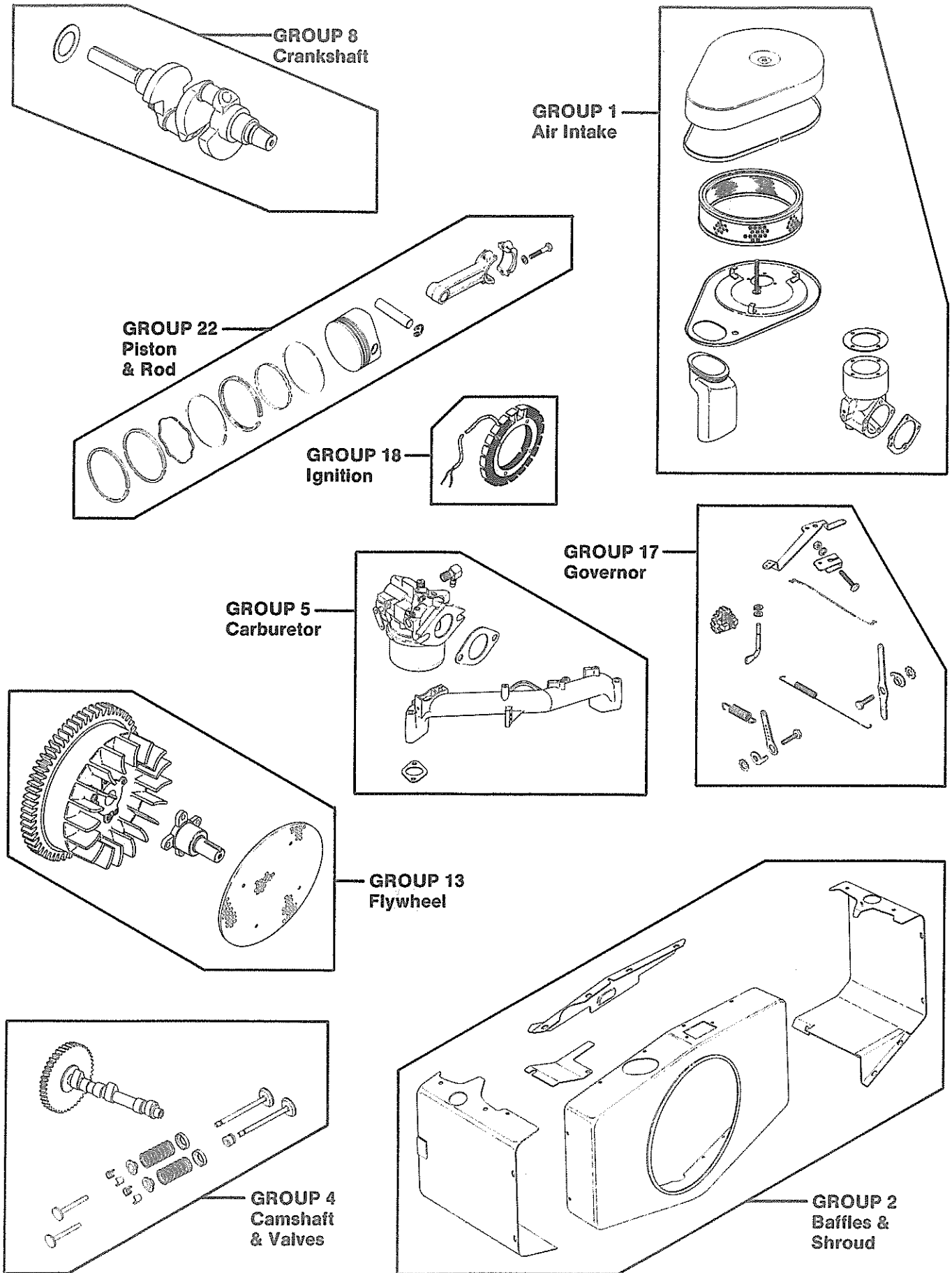
Illustrations are not intended to show the exact detail for all variations covered.

Quantities greater than one are shown in parenthesis behind part description.

# COMPOSITE EXPLODED VIEW



# COMPOSITE EXPLODED VIEW



## SPECIFICATION NUMBER INDEX

Group Title & Number	Air Intake	Baffles & Shroud	Breather & Vent	Camshaft & Valves	Carburetor	Crankcase	Crankshaft	Cylinder Head	Dipstick	Electric Start	Exhaust	Flywheel	Fuel Pump	Governor	Ignition	Instrument Panel	Piston & Rod	Oil Pump	Gasket Set
	1	2	3	4	5	7	8	9	10	11	12	13	14	17	18	19	22	25	39
<b>Page</b>	6	8	10	11	12	14	17	18	19	20	21	22	23	24	26	28	29	30	31
<b>Grid</b>	A6	A8	A10	A11	A12	A14	B3	B4	B5	B6	B7	B8	B9	B10	B12	B14	C1	C2	C3

**Spec. No.**

**Variation Number**

**MODEL  
KT17**

24105	9	2	3	1	1	1	13	1	1	3	3	9	5	1	6		1	1	1
24106	9	3	3	1	1	1	13	1	1	99	2	198	5	1	2		1	1	1
24111	1	16	4	1	8	12	3	1	1	1		18	5	4	2		1	1	1
*24112	4	6	6	7	11	20	7	3	2	1	6	6	2	3	4		1	1	1
24115	9	12	3	1	10	1	29	1	4	1	8	5	1	5	7		5	1	1
24116	5	15	2	1	1	11	11	1	3	3	2	199	6	1	5		1	1	1
24125	9	2	3	4	8	6	4	1	1	1	6	2	3	4	2		1	1	1
24131	9	19	3	1	7	1	3	1	1	1	7	16	5	1	2		1	1	1
24132	12	18	4	1	8	31	3	1	1	1	7	17	2	1	5		1	1	1
24133	10	20	5	1	7	11	11	1	3	3	7	19	6	1	5		1	1	1
24136	12	12	4	1	10	1	29	1	1	1	8	5	5	5	7		5	1	1
24139	9	2	3	1	7	1	29	1	1	3	9	9	5	1	6		1	1	1
24143	9	2	3	1	8	6	4	1	1	1	6	2	3	4	2		1	1	1
24144	1	2	4	1	7	7	3	1	1	1	6	2	5	1	2		1	1	1
24146	15	29	3	1	10	1	51	1	1	1	8	5	5	5	7		5	1	1
24152	8	3	3	1	13	48	60	1	1	1	7	21	5	6	2		1	1	12
24154	13	25	3	1	13	1	3	1	1	1	7	16	5	6	2		1	1	1
24159	6	16	4	1	12	52	54	1	1	1		26	5	7	2		1	1	12
24166	14	18	4	1	12	56	54	1	1	1	7	37	2	6	5		1	1	12
24167	18	41	5	1	20	57	64	1	8	3	7	40	6	6	5		7	2	12
24171	8	2	3	1	12	55	67	1	1	1	6	23	3	7	2		1	1	12
24172	6	2	4	1	13	54	54	1	1	1	6	23	5	6	2		1	1	12
24173	13	29	3	1	15	64	65	1	1	1	8	27	5	8	7		5	1	12
24175	6	5	4	3	13	54	54	1	1	1	6	34	5	10	1		1	1	12
24176	13	27	3	1	13	48	60	1	1	3	9	29	6	6	6		1	1	12
24178	13	25	3	1	13	48	54	1	1	1	7	31	5	6	2		1	1	12
24181	14	3	4	1	13	54	64	1	1	1	7	23	5	6	2		1	1	12
24183	8	3	3	1	13	1	29	1	1	1	7	200	5	6	2		1	1	1
+24188	4	6	6	7	11	59	66	3	2	1	6	39	2	3	4		5	1	12
24189	20	41	5	1	7	61	11	1	8	3	7	41	6	1	5		7	2	12
24190	13	25	3	1	13	56	54	1	1	1	7	31	5	6	2		1	1	12
24191	18	41	5	1	20	61	11	1	8	3	7	41	6	6	5		7	2	1
24193	13	29	3	1	15	67	65	1	9	1	8	27	5	8	7		7	2	12
24194	6	2	4	1	13	54	64	1	1	1	6	23	5	6	2		1	1	12
24195	6	2	4	1	13	73	54	1	9	1	10	23	5	6	2		7	2	12
24196	14	3	4	1	13	73	64	1	9	1	7	23	5	6	2		7	2	12
24197	8	3	3	1	13	68	60	1	9	1	7	21	5	6	2		7	2	12
24198	14	16	4	1	12	76	54	1	9	1		26	5	7	2		7	2	12
24199	31	18	4	1	12	77	54	1	9	1	7	37	2	6	5		11	2	12
24200	8	2	3	1	12	75	67	1	9	1	6	23	3	7	2		7	2	12
24201	6	5	4	3	13	73	54	1	9	1	99	34	5	10	1		7	2	12
24202	13	27	3	1	13	68	60	1	9	3	9	29	6	6	6		7	2	12
24203	6	3	4	1	13	73	54	1	9	1	7	23	5	6	2		7	2	12
24204	13	25	3	1	13	77	54	1	9	1	7	31	5	6	2		7	2	12
24205	6	2	4	1	13	73	64	1	9	1	6	23	5	6	2		7	2	12

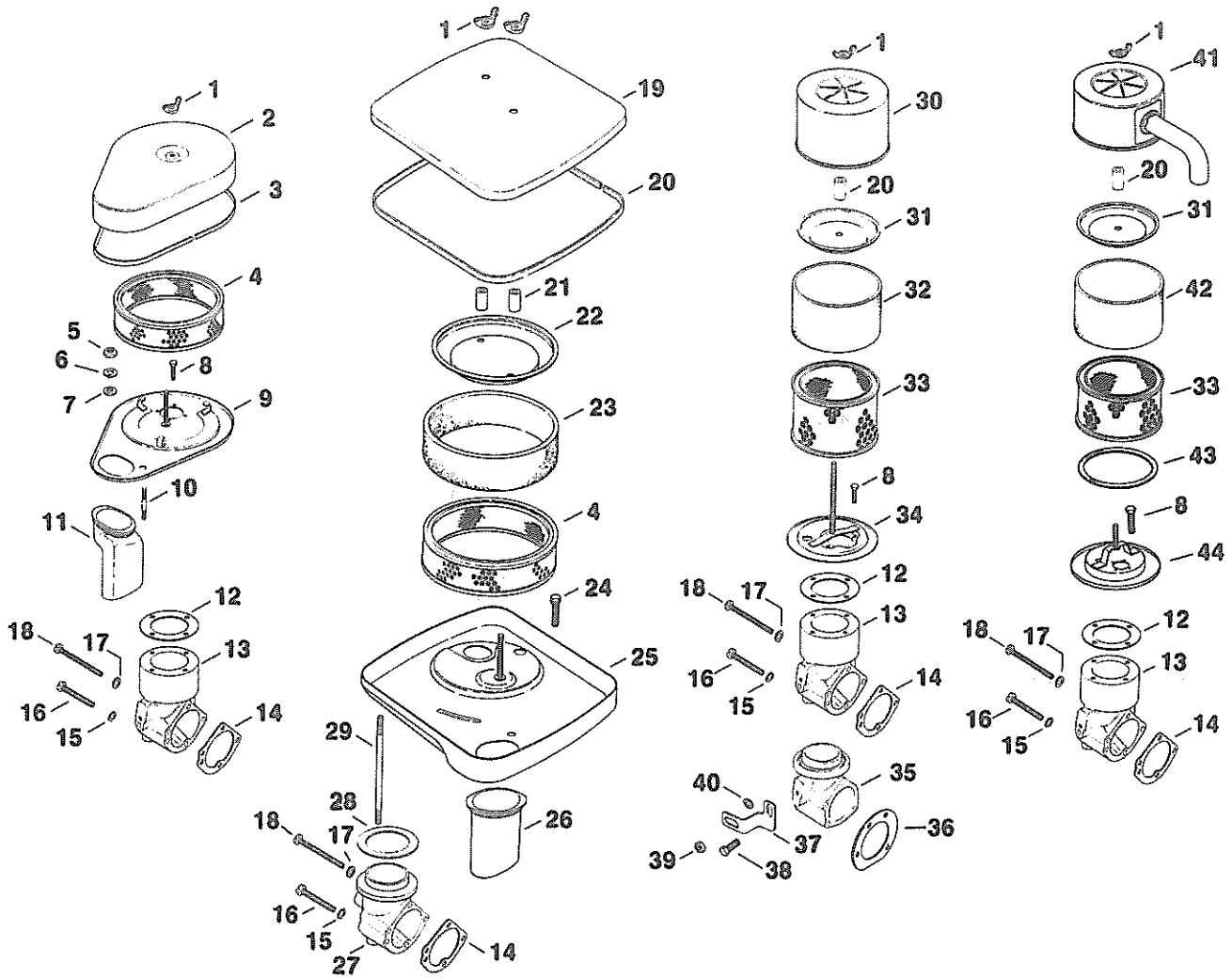
\*Generator Specification Number 10111 before Generator Serial Number 099052.

+Generator Specification Number 10111 after Generator Serial Number 099051; Generator Specification Numbers 10112 thru 10116.



# KT17-KT19-KT21

## GROUP 1 Air Intake



Index Number	Description Variation Number	Part Number	Index Number	Description Variation Number	Part Number
1	Wing nut 1/4-20 8, 9, 13, 15, 25, 27	X-276-7	9	Base, air cleaner 8	52 201 03
1	Wing nut 1/4-20 (2) 1, 6, 12, 14, 31	X-276-7	9	Base, air cleaner 9	
2	Cover, air cleaner 8, 9	47 082 01		<i>Before Serial No. 9544628 use 52 201 01</i> <i>After Serial No. 9544627 use 52 201 03</i>	
3	Seal, air cleaner cover 8, 9	47 032 03	10	Stud 1/4-20 x 1-7/8 8, 9	X-352-39
4	Element, air cleaner 1, 6, 8, 9, 12, 14, 31	47 083 01	11	Tube, air intake 8, 9	52 134 01
5	Nut, hex. 1/4-20 (2) 8, 9	X-81-1	12	Gasket, air cleaner 8, 9, 13, 15, 25, 27	277093
6	Washer, split lock 1/4 8, 9	X-20-1	13	Elbow, air cleaner 8, 13, 25, 27	52 054 15
7	Washer, plain 1/4 8, 9	X-25-73	13	Elbow, air cleaner 15	52 054 14
8	Screw, H.C. 10-32 x 9/16 (4) 8, 9, 13, 15, 25, 27	X-67-98			

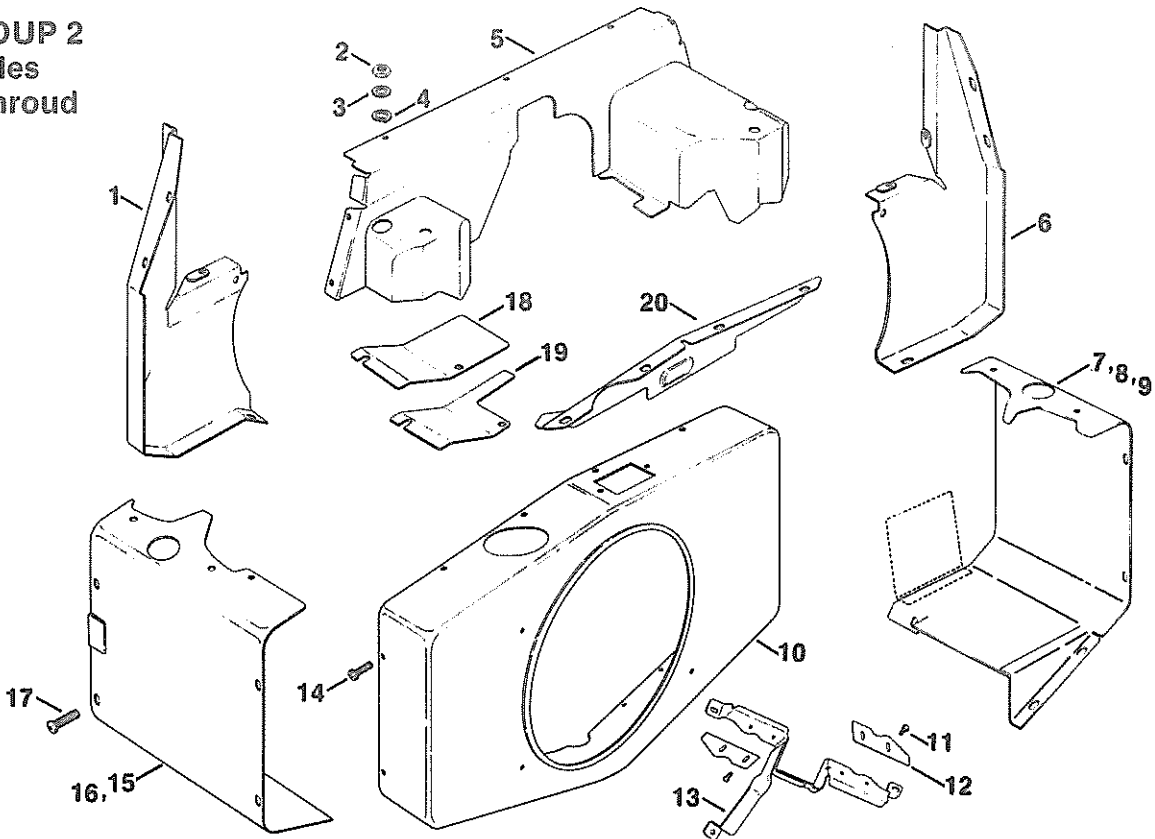
KT17-KT19-KT21

GROUP 1  
(Cont'd.)

Index Number	Description Variation Number	Part Number	Index Number	Description Variation Number	Part Number
13	Elbow, air cleaner 9		27	Elbow, air cleaner 1, 4, 12	52 054 16
	<i>Before Serial No. 9544628 use</i>	52 054 07	27	Elbow, air cleaner <i>(Discontinued not available at Kohler Co.)</i>	
	<i>After Serial No. 9544627 use</i>	52 054 14			
13	Elbow, air cleaner 23	52 054 26	27	Elbow, air cleaner 5	52 054 09
14	Gasket, elbow 1, 4, 5, 6, 8, 9, 10, 12, 13, 15, 20, 23, 25, 27, 31	277069	27	Elbow, air cleaner 6, 14, 31	52 054 17
15	Washer, I.T. #10 (2) 1, 4, 5, 6, 8, 9, 10, 12, 13, 14, 15, 18, 20, 23, 25, 27, 31	X-22-9	28	Gasket, air cleaner 1, 4, 6, 14, 31	52 055 04
16	Screw, sltd. pan hd. 10-32 x 1-1/2 (2) 1, 4, 5, 6, 8, 9, 10, 12, 13, 14, 15, 20, 23, 25, 27, 31	X-50-57	28	Gasket, air cleaner <i>(Replaced by 52 055 04)</i> 12	52 055 03
16	Screw, H.H.M. 10-32 x 1-3/4 (2) 18	52 086 05	29	Stud 1/4-20 x 4-3/4 1, 4, 6, 12, 14, 31	X-352-38
17	Washer, plain #10 1, 4, 5, 6, 8, 9, 10, 12, 13, 14, 15, 18, 20, 23, 25, 27, 31	X-25-79	30	Cover, air cleaner 13, 15	45 082 01
18	Screw, sltd. pan hd. 10-32 x 2-1/4 1, 4, 5, 6, 8, 9, 10, 12, 13, 14, 15, 20, 23, 25, 27, 31	X-50-37	31	Cover, air cleaner element 13, 15, 25, 27	52 082 04
18	Screw, H.H.M. 10-32 x 2-2/3 18	52 086 04	32	Precleaner <i>(Replaced by 45 083 01)</i> 13, 15	52 083 02
19	Cover, air cleaner 1, 6, 12, 14, 31	52 082 02	33	Element 13, 15, 25, 27	45 083 02
20	Seal, air cleaner cover 1, 6, 12, 14, 31	52 032 01	34	Base, air cleaner 13, 15	52 094 06
21	Seal, element cover 13, 15, 25, 27	231032	35	Elbow, air cleaner <i>(Replaced by 52 054 25)</i> 10, 18, 20	52 054 21
21	Seal, element cover (2) 12, 14, 31	231032	36	Gasket, air horn 18	52 041 12
22	Cover, air cleaner element 12, 14, 31	52 082 03	37	Brace, air cleaner elbow 18, 20	52 120 01
23	Precleaner, element 12, 14, 31	52 083 01	38	Screw, H.C. 10-32 x 7/16 18, 20	X-67-64
24	Screw, hex. wash. hd. 1/4-20 x 7/16 1, 6, 12, 14, 31	X-67-83	39	Nut, hex. 5/16-18 18, 20	X-82-2
25	Base, air cleaner <i>(Replaced by 52 201 07)</i> 1, 6, 12, 14	52 201 04	40	Washer, plain 5/16 18, 20	X-25-44
25	Base, air cleaner 31	52 201 07	41	Cover, air cleaner 25, 27	52 254 11
26	Tube, air intake 1, 6, 12, 14, 31	47 134 02	42	Precleaner 25, 27	45 083 01
			43	Seal, air cleaner cover 25, 27	237423
			44	Base, air cleaner 25, 27	52 201 06

# KT17-KT19-KT21

## GROUP 2 Baffles & Shroud



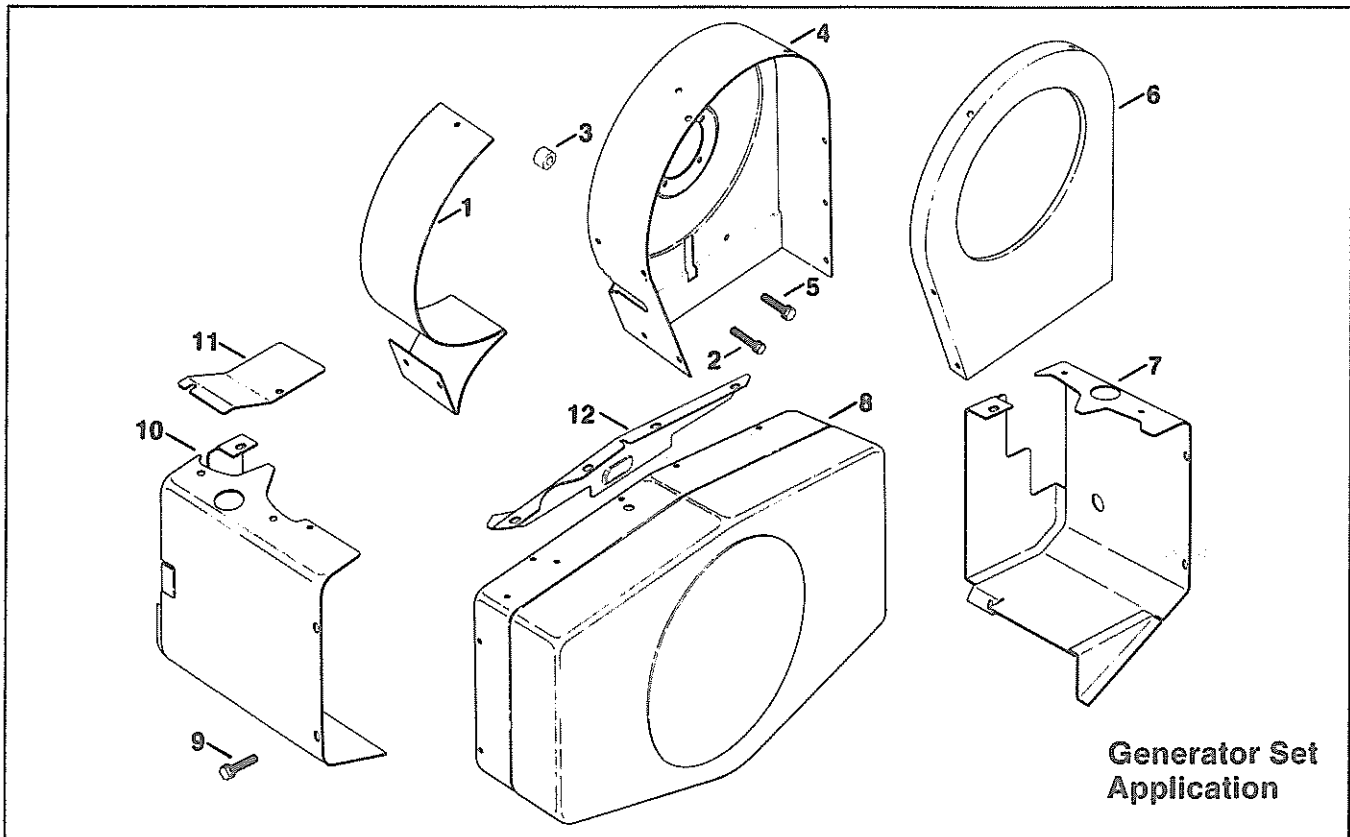
Index Number	Description Variation Number	Part Number	Index Number	Description Variation Number	Part Number
1	Duct, #2 side air 3, 18, 43, 52	52 281 09	9	Baffle, #1 cylinder head - with rear cyl. baffle 15, 20	52 124 25
1	Duct, #2 side air 7, 50, 53	52 281 05	9	Baffle, #1 cylinder head - with rear cyl. baffle 41, 52	52 124 31
2	Nut 5/16 - 18 (2) 3, 7, 15, 18, 20, 41, 43, 50, 52, 53	X-82-2	9	Baffle, #1 cylinder head - with rear cyl. baffle 50, 53	52 124 37
3	Washer, plain 1/4 (2) 15, 20, 41	X-25-20	10	Housing, blower 50, 53	52 027 14
4	Washer, split lock 5/16 (2) 7, 50, 53	X-21-1	10	Housing, blower 2, 3, 7, 15, 18, 19	52 027 07
5	Cover, air duct 3, 7, 15, 18, 20, 41, 43, 50, 52, 53	52 282 01	10	Housing, blower 16, 20, 24	52 027 10
6	Duct, #1 side air 7, 50, 53	52 281 04	10	Housing, blower 25, 27, 29, 35, 41, 43, 52	52 027 09
6	Duct, #1 side air 3, 18, 43, 52	52 281 08	10	Housing, blower 5	52 027 06
7	Baffle, #1 cylinder head 2, 5, 16, 27	52 124 01	10	Housing, blower 12	52 027 05
7	Baffle, #1 cylinder head 3, 18	52 124 03	11	Screw, hex. wash. hd. 10-32 (4) 16, 24, 50, 53	X-67-64
7	Baffle, #1 cylinder head (Replaced by 52 124 36) 7	52 124 07	12	Plate adjusting (2) (Replaced by 52 146 05) 16, 24, 50, 53	52 146 04
8	Baffle, #1 cylinder head - with rear cyl. baffle 19, 24, 25, 35	52 124 23	13	Deflector, grass (Replaced by 52 265 04) 16, 24, 50, 53	52 265 01
9	Baffle, #1 cylinder head - with rear cyl. baffle 12, 29, 43	52 124 24			



KT17-KT19-KT21

GROUP 2  
(Cont'd.)

Index Number	Description Variation Number	Part Number	Index Number	Description Variation Number	Part Number
14	Screw, hex. wash. hd. 1/4-20 x 7/16 (21) 2, 5, 12, 19, 25, 27, 29, 41	X-67-83	15	Baffle, #2 cylinder head (Replaced by 52 124 35) 41	52 124 32
14	Screw, hex. wash. hd. 1/4-20 x 7/16 (28) 3, 18, 43, 52	X-67-83	15	Baffle, #2 cylinder head 53	52 124 27
14	Screw, hex. wash. hd. 1/4-20 x 7/16 (20) 15, 35	X-67-83	16	Baffle, #2 cylinder head - with rear cyl. baffle 19, 24, 25	52 124 18
14	Screw, hex. wash. hd. 1/4-20 x 7/16 (24) 16, 20, 24	X-67-83	16	Baffle, #2 cylinder head - with rear cyl. baffle 35	52 124 30
14	Screw, hex. wash. hd. 1/4-20 x 7/16 (31) 50	X-67-83	17	Screw, hex. hd. 1/4-20 x 9/16 7, 35, 53	X-67-69
14	Screw, hex. wash. hd. 1/4-20 x 7/16 (30) 53	X-67-83	18	Baffle, #2 cylinder top 18	52 063 02
14	Screw, hex. wash. hd. 1/4-20 x 7/16 (27) 7	X-67-83	19	Baffle, #2 cylinder top 2, 3, 5, 7, 12, 15, 16, 19, 20, 24, 25, 27, 29, 35, 41, 43, 50, 52, 53	52 063 01
15	Baffle, #2 cylinder head 2, 3, 5, 12, 16, 18, 27, 29, 43, 52	52 124 02	20	Support, upper housing 2, 3, 5, 7, 12, 15, 16, 18, 19, 20, 24, 25, 27, 29, 35, 41, 43, 50, 52, 53	52 217 01
15	Baffle, #2 cylinder head 7, 50	52 124 06			
15	Baffle, #2 cylinder head (Discontinued not available at Kohler Co.) 15, 20	52 124 17			

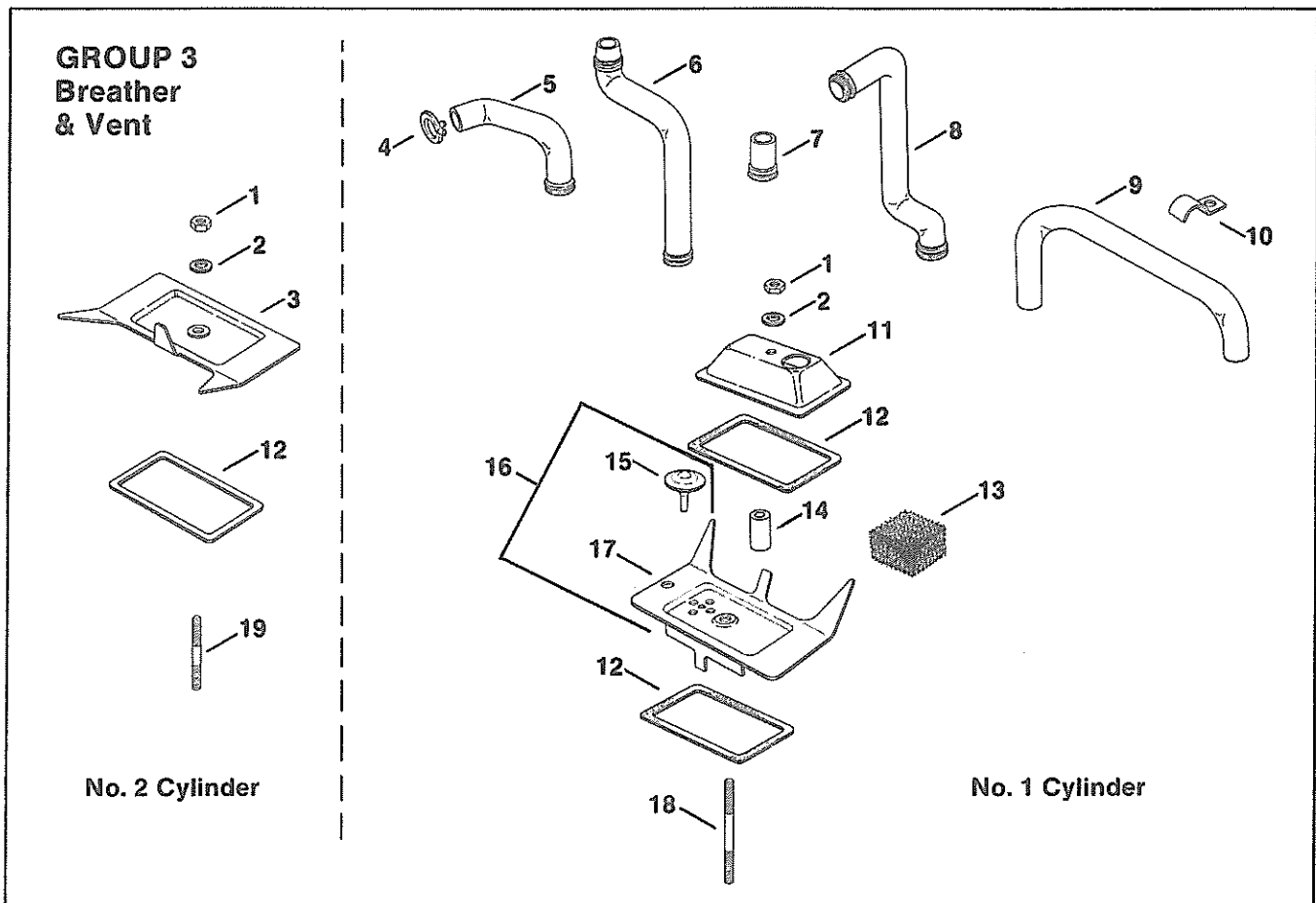


Index Number	Description Variation Number	Part Number	Index Number	Description Variation Number	Part Number
1	Baffle 6	52 063 07	3	Spacer (2) 6	X-400-121
2	Screw, hex. wash. hd. 1/4-20 x 1 (2) 6	X-67-96	4	Scroll 6	52 416 01

**GROUP 2  
(Cont'd.)**

**KT17-KT19-KT21**

Index Number	Description Variation Number	Part Number	Index Number	Description Variation Number	Part Number
5	Screw, hex. wash. hd. #10-24 x 3/8 (4)		9	Screw, hex. wash. hd. 1/4-20 x 7/16 (27)	
6		X-67-97	6		X-67-83
6	Cover, scroll		10	Baffle, #2 cylinder head	
6		52 096 10	6		52 063 09
7	Baffle, #1 cylinder head		11	Baffle, #2 cylinder top	
6		52 063 08	6		52 063 02
8	Housing, blower		12	Support, upper housing	
6		52 027 03	6		52 217 01

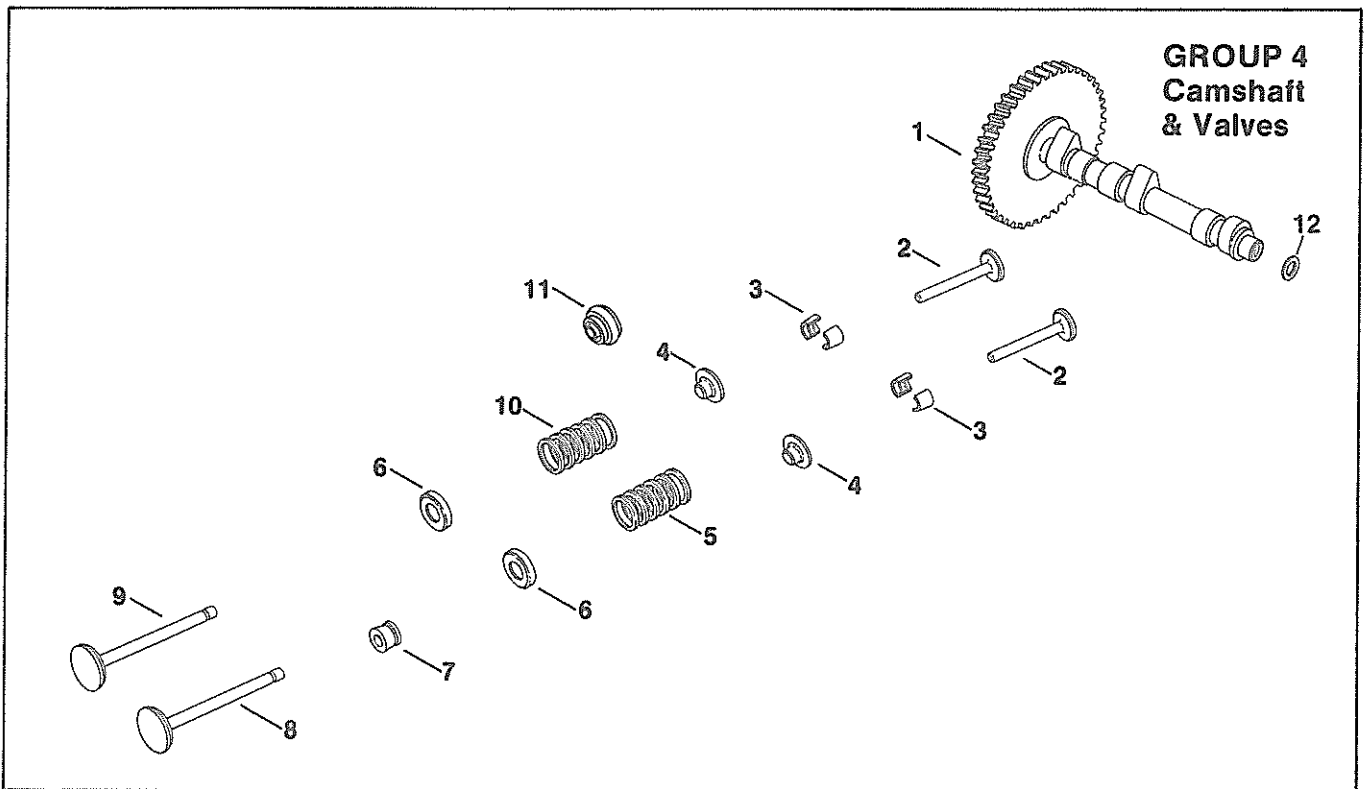


Index Number	Description Variation Number	Part Number	Index Number	Description Variation Number	Part Number
1	Nut, hex 1/4-20 (2)		4	Clamp, hose	
2, 3, 4, 5, 6		X-81-1	(Used prior to Serial No. 9544628)		
2	Washer, plain 1/4" (2)		3		X-426-3
3, 4, 5, 6		X-25-12	5	Hose, breather	
3	Cover, #2 cylinder valve		2		52 326 03
2, 3, 4, 5		52 096 02	6	Hose, breather	
3	Cover, #2 cylinder valve		3		
6		52 254 08			Before Serial No. 9544628 use 52 326 03
4	Clamp, hose				After Serial No. 9544627 use 52 326 05
2		X-426-3			

KT17-KT19-KT21

GROUP 3  
(Cont'd.)

Index Number	Description Variation Number	Part Number	Index Number	Description Variation Number	Part Number
6	Hose, breather 4	52 326 06	14	Seal, breather 2, 3, 4, 5, 6	52 032 04
7	Hose, breather 5	52 326 07	15	Valve, umbrella 2, 3, 4, 5, 6	52 462 01
8	Hose, breather 6	52 326 08	16	Kit, #1 lower cyl. valve (Includes 15)	52 755 09
9	Tube, breather 5	52 123 05	17	Cover, #1 lower cyl. valve 6	52 254 07
10	Clip, tube 5	52 154 02	18	Stud, #1 cyl. valve cover - 1/4-20 x 3-1/4 2, 3, 4, 5, 6	275220
11	Cover, #1 upper cyl. valve 2, 3, 4, 5, 6	52 096 08	19	Stud, #2 cyl. valve cover - 1/4-20 x 2-1/4 2, 3, 4, 5, 6	X-352-39
12	Gasket, valve cover (3) 2, 3, 4, 5, 6	52 055 01			
13	Filter, breather 2, 3, 4, 5, 6	231419			

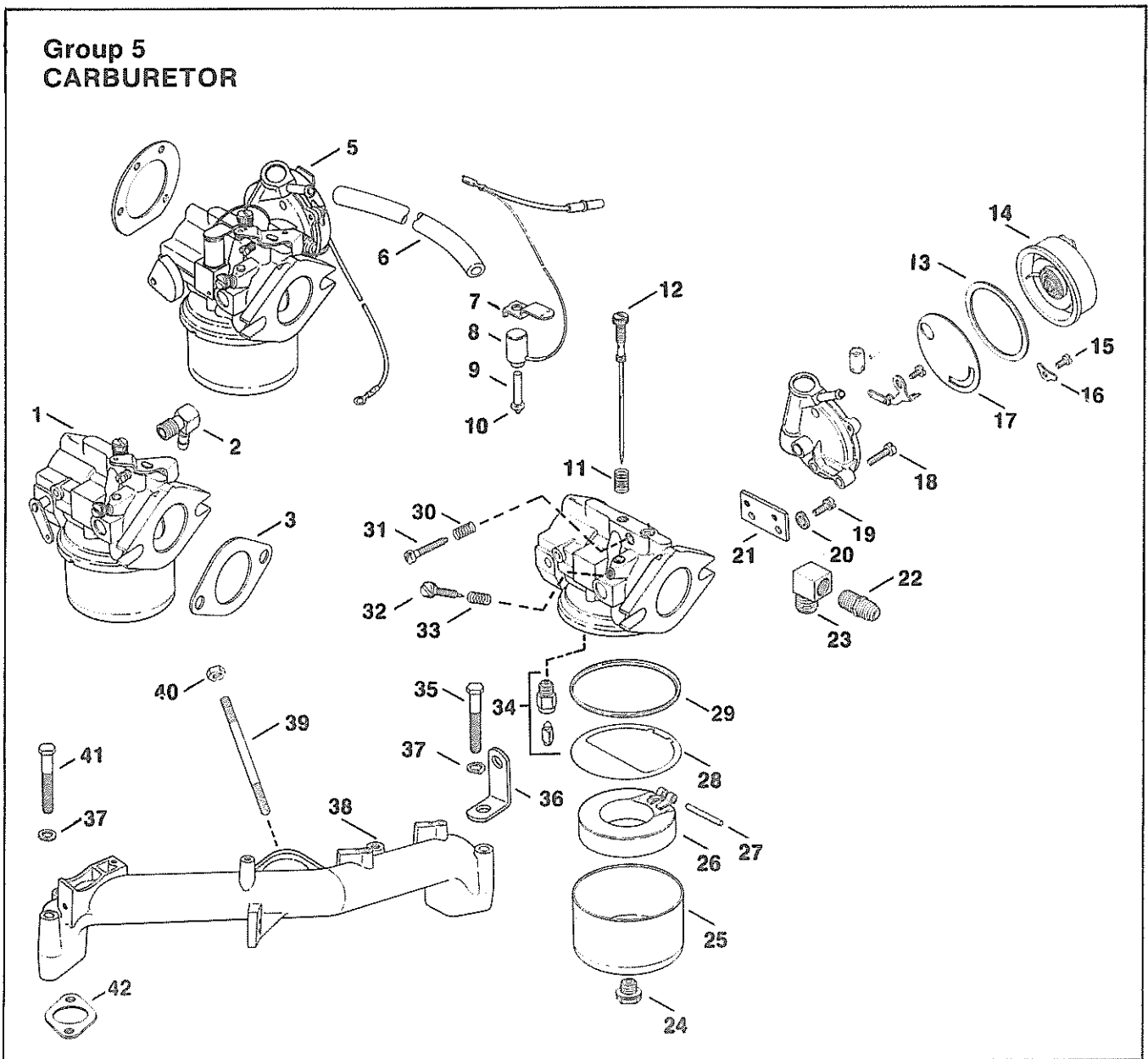


Index Number	Description Variation Number	Part Number	Index Number	Description Variation Number	Part Number
1	Camshaft (Replaced by 52 010 02) 1, 3, 4, 6, 7	52 010 01	3	Kit, retainer (4) 1, 3, 4, 6, 7	41 755 10
2	Tappet (4) 4	52 019 01	4	Retainer, spring (4) 1, 6	230011
2	Tappet (4) 1, 3, 6, 7	52 019 02	4	Retainer, spring (2) 3, 4, 7	230011
			5	Spring, intake valve (2) 1, 3, 4, 6, 7	230010

**GROUP 4  
(Cont'd.)**

**KT17-KT19-KT21**

Index Number	Description Variation Number	Part Number	Index Number	Description Variation Number	Part Number
6	Retainer, spring (4) 1, 3, 4, 6, 7	52 018 01	9	Valve, exhaust (2) 3, 7	52 016 02
7	Seal, valve stem (2) 1, 3, 4, 6, 7	52 032 05	9	Valve, exhaust (2) 6	52 016 03
8	Valve, intake (2) 1, 3, 4	52 017 01	10	Spring, exhaust valve (2) 1, 6	230010
8	Valve, intake (2) 7	52 017 02	10	Spring, exhaust valve (2) 3, 4, 7	230168
8	Valve, intake (2) 6	52 017 03	11	Rotator, valve (2) 3, 4, 7	230020
9	Valve, exhaust (2) 1, 4	52 016 01	12	Spacer (A.R.) 1, 3, 4, 6, 7	52 422 03



KT17-KT19-KT21

GROUP 5  
(Cont'd.)

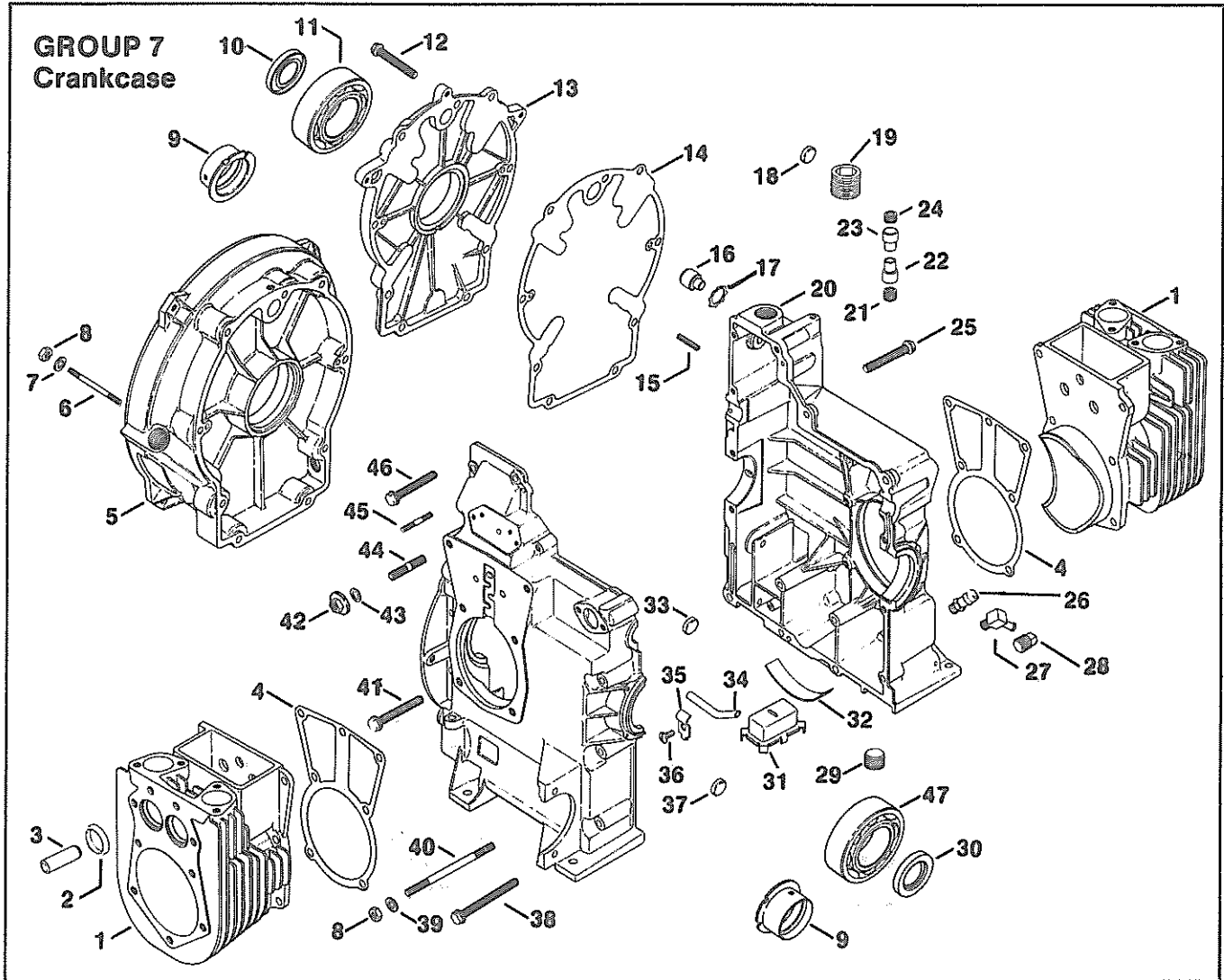
Index Number	Description Variation Number	Part Number	Index Number	Description Variation Number	Part Number
1	Carburetor - assembly (Includes 11, 12, 24 thru 34) 1, 7	52 053 01	21	Bracket, choke 11	48 126 01
1	Carburetor - assembly (Includes 11, 12, 24 thru 34) 8, 10	52 053 02	22	Connector 11	X-296-1
1	Carburetor - assembly (Includes 11, 12, 24 thru 34) 9	52 053 10	23	Elbow 11	X-555-2
1	Carburetor - assembly (Includes 11, 12, 24 thru 34) 12, 15	52 053 11	24	Screw, bowl retainer (Replaced by 47 100 06) 1, 7, 8, 9, 10, 11, 12, 13, 15, 20, 21	47 100 04
1	Carburetor - assembly (Includes 11, 12, 24 thru 34) 13	52 053 09	25	Bowl, fuel 1, 7, 8, 9, 10, 11, 12, 13, 15, 20, 21	235448
1	Carburetor - assembly (Includes 4, 11, 12, 24 thru 34) 20	52 053 16	26	Float (Replaced by 25 757 03 float kit which includes #28) 1, 7, 8, 9, 10, 11, 12, 13, 15, 20, 21	200408
1	Carburetor - assembly (Includes 11, 12, 24 thru 34) 21	52 053 28	27	Pin, float hinge 1, 7, 8, 9, 10, 11, 12, 13, 15, 20, 21	200376*
2	Connector, hose 1, 7, 8, 9, 10, 12, 13, 15, 20, 21	X-391-1	28	Gasket, bowl baffle (Replaced by 25 041 02) 1, 7, 8, 9, 10, 11, 12, 13, 15, 20, 21	200439
3	Gasket, carburetor 1, 7, 8, 9, 10, 11, 12, 13, 15, 20, 21	271030	29	Gasket, bowl 1, 7, 8, 9, 10, 11, 12, 13, 15, 20, 21	200375*
4	Gasket 20	47 041 05	30	Spring, idle speed 1, 7, 8, 9, 10, 11, 12, 13, 15, 20, 21	232555
5	Carburetor - assembly (Includes 6 thru 34) 11	52 053 15	31	Screw, idle speed adj. 1, 7, 8, 9, 10, 11, 12, 13, 15, 20, 21	232556
6	Line, fuel 11	X-807-2	32	Needle, idle fuel adj. 9, 12, 13, 15, 20, 21	277210
7	Bracket, solenoid 11	45 126 12	32	Needle, idle fuel adj. 1, 7, 8, 10, 11	235006
7	Bracket, solenoid 21	52 126 04	33	Spring, idle fuel 1, 7, 8, 9, 10, 11, 12, 13, 15, 20, 21	200380
8	Kit, solenoid (Includes 9 & 10) 11, 21	41 755 12	34	Fuel inlet needle & seat Available only in carburetor repair kit 221519	
9	Plunger, solenoid 11, 21	41 385 01	35	Screw, H.C. 5/16-18 x 2-7/8 (3) 7, 8, 9, 11, 12, 13, 20	X-6-54
10	Ring, "O" 11, 21	41 141 03	35	Screw, H.C. 5/16-18 x 2-7/8 (2) 10, 15, 21	X-6-54
11	Spring, main fuel 1, 7, 8, 9, 10, 11, 12, 13, 15, 20, 21	200383	36	Strap, lifting (2) 7, 8, 9, 10, 11, 12, 13, 15, 20, 21	52 445 02
12	Needle, main fuel adj. 1, 7, 8, 9, 10, 12, 13, 15, 20, 21	52 103 01	37	Washer, lock 5/16 (4) 1, 7, 8, 9, 10, 11, 12, 13, 15, 20, 21	X-21-1
12	Needle, main fuel adj. 11	52 103 02	38	Manifold, intake 1, 7, 8, 9, 10, 12, 13, 15, 20, 21	52 164 01
13	Gasket 11	277281	38	Manifold, intake 11	52 358 02
14	Heater, choke 11	52 175 01	39	Stud 5/16-18 x 1 (2) 1, 7, 8, 9, 10, 11, 12, 13, 15, 20, 21	X-352-37
15	Screw, F.H.M. 8-32 x 1/4 (2) 11	X-14-6	40	Nut, hex. jam 5/16-18 (2) 1, 7, 8, 9, 10, 11, 12, 13, 15, 20, 21	X-77-2
16	Retainer, choke heater (2) 11	277275	41	Screw, H.C. 5/16-18 x 2-3/4 (4) 1	X-6-8
17	Plate, baffle 11	277297	41	Screw, H.C. 5/16-18 x 2-3/4 (2) 7, 8, 9, 11, 12, 13, 20, 21	X-6-8
18	Screw, F.H.M. 10-32 x 7/16 (2) 11	X-15-14	41	Screw, H.C. 5/16-18 x 2-3/4 10, 15	X-6-8
19	Screw, F.H.M. 10-32 x 5/8 (2) 11	X-15-1	42	Gasket, intake manifold (2) (Replaced by 52 041 09) 1, 7, 8, 9, 10, 11, 12, 13, 15, 20, 21	52 041 02
20	Washer, lock #10 (2) 11	X-19-1		Kit, carburetor repair (Replaced by 25 757 02) ALL	221519

\*included in Carburetor repair kit 221519.

**GROUP 5  
(Cont'd.)**

**KT17-KT19-KT21**

Index Number	Description Variation Number	Part Number	Index Number	Description Variation Number	Part Number
	Not Illustrated				
11	Lead, choke ground (10" - 18 gauge - push on tab and uninsulated barrel eyelet terminals)	52 518 05	11, 21	Lead, solenoid ground (5" - 18 gauge - push on tab and uninsulated barrel eyelet terminals)	25 518 12



Index Number	Description Variation Number	Part Number	Index Number	Description Variation Number	Part Number
1	Barrel, cylinder (2) (Replaced by 52 565 27) (Includes 2 & 3) 7, 12, 20, 31, 54	52 565 21	1	Barrel, cylinder (2) (Replaced by 52 565 32) (Includes 2 & 3) 41, 42	52 565 29
1	Barrel, cylinder (2) 1, 6, 11, 48, 52, 55, 56, 57, 59, 61, 64, 67, 68, 73, 75, 76, 77, 78	52 565 27	1	Barrel, #1 cylinder (Includes 2 & 3) 50	52 565 33
1	Barrel, cylinder (2) (Includes 2 & 3) 37, 39, 40, 51, 65, 69, 72, 80	52 565 32	1	Barrel, #2 cylinder (Includes 2 & 3) 50	52 565 34

KT17-KT19-KT21

GROUP 7  
(Cont'd.)

Index Letter	Description Variation Number	Part Number	Index Letter	Description Variation Number	Part Number
2	Insert, valve seat (4) 1, 11 <i>Before Serial No. 10200852 use 52 332 03</i> <i>After Serial No. 10200851 use 230265</i>		13	Plate, rear closure <i>(Replaced by 52 009 14)</i> 1, 6, 37, 39, 40, 48, 55, 65, 67, 68, 69, 75	52 009 01
2	Insert, valve seat (4) 6 <i>Before Serial No. 9653771 use 52 332 03</i> <i>After Serial No. 9653770 use 230265</i>		13	Plate, rear closure <i>(Replaced by 52 009 13)</i> 11, 57, 61	52 009 02
2	Insert, valve seat (4) 7, 12, 20, 31, 37, 39, 40, 41, 42, 48, 50, 51, 52, 54, 55, 56, 57, 59, 61, 64, 65, 67, 68, 69, 72, 73, 75, 76, 77, 78, 80	230265	13	Plate, rear closure 42	52 009 04
3	Guide, valve (4) <i>(Replaced by 52 316 06)</i> 1, 6, 7, 11, 12, 20, 31, 37, 39, 40, 41, 42, 48, 50, 51, 52, 54, 55, 57, 59, 61, 64	52 316 04	13	Plate, rear closure <i>(Replaced by 52 009 14)</i> 31, 56, 65, 77	52 009 05
3	Guide, valve (4) 56, 65, 67, 68, 69, 72, 73, 75, 76, 77, 78, 80	52 316 06	13	Plate, rear closure <i>(Replaced by 52 009 15)</i> 7, 50, 51, 54, 72, 73	52 009 06
4	Gasket, cylinder barrel (2) ALL	52 041 04	13	Plate, rear closure <i>(Replaced by 52 009 16)</i> 12, 41, 52, 76, 80	52 009 08
5	Adapter, generator <i>(Replaced by 52 029 01)</i> 20, 59	52 029 02	14	Gasket, rear closure plate <i>(Replaced by 52 041 08)</i> 1, 6, 7, 11, 12, 20, 31, 37, 39, 40, 41, 42, 48, 50, 51, 52, 54, 55, 57, 59, 61, 64	52 041 03
5	Adapter, generator <i>(Replaced by 52 029 07)</i> 78	52 029 01	14	Gasket, rear closure plate 56, 65, 67, 68, 69, 72, 73, 75, 76, 77, 78, 80	52 041 08
6	Stud 5/16-18 x 3 (2) 20, 59	232810	15	Pin, roll ALL	X-280-10
7	Washer, split lock 5/16 (2) 20, 59	X-21-1	16	Shaft, governor ALL	52 078 02
8	Nut, hex. 5/16-18 (2) 1, 6, 7, 11, 12, 31, 37, 39, 40, 41, 42, 48, 50, 51, 52, 54, 55, 56, 64, 65, 67, 68, 69, 72, 73, 75, 76, 77, 78, 80	X-82-2	17	Ring, retaining ALL	X-269-43
8	Nut, hex. 5/16-18 (3) 57, 61	X-82-2	18	Plug, cup 17/64 O.D. (2) 1, 6, 7, 11, 12, 20, 31, 37, 41, 42, 48, 51, 52, 54, 55, 56, 59, 64	X-702-4
8	Nut, hex. 5/16-18 (4) 20, 59	X-82-2	18	Plug, pipe 17/64 O.D. 39, 61, 67, 68, 75, 76	X-702-4
9	Bearing, sleeve (2) 1, 7, 11, 12, 20, 31, 37, 39, 41, 42, 48, 50, 51, 52, 54, 56, 57, 59, 61, 64, 65, 67, 68, 69, 72, 73, 76, 77, 78, 80	52 030 02	19	Plug, pipe - hex. ctsk. 1/16 50, 57, 65, 69, 72, 73, 77, 78, 80	52 139 07
	Bearing, sleeve .010 U.S.	52 030 07	20	Crankcase Service with a SHORT BLOCK. Refer to TP-2077-A KT17-KT19-KT21 Short Block publication.	
	Bearing, sleeve .020 U.S.	52 030 08	21	Bearing, lower needle 20, 59, 78	52 030 03
10	Seal, rear oil <i>(Replaced by X-583-5)</i> 1, 6, 7, 11, 31, 39, 48, 54, 55, 57, 61, 64	X-583-4	22	Bushing, lower 20, 59, 78	52 158 02
10	Seal, rear oil 20, 40, 56, 59, 65, 67, 68, 73, 75, 77, 78	X-583-5	23	Bushing, upper 20, 59, 78	52 158 03
10	Seal, rear oil (2) 12, 41, 52, 76, 80	X-583-5	24	Bearing, upper needle 20, 59, 78	52 030 04
10	Seal, rear oil <i>(Replaced by 52 032 08)</i> 37, 42, 50, 51, 69, 72	52 032 09	25	Screw, hex. flange 5/16-18 x 2 (2) ALL	X-802-8
11	Bearing, ball - rear 6, 40, 55, 75	X-238-4	26	Connector 78	X-380-3
12	Screw, washer hd. 5/16-18 x 1 (9) ALL	X-802-9	27	Connector 20, 59	X-391-10
			28	Plug, solid sq. hd. 3/8 ALL (except 64, 77)	X-75-10
			28	Plug, solid sq. hd. 3/8 (2) 77	X-75-10

**GROUP 7  
(Cont'd.)**

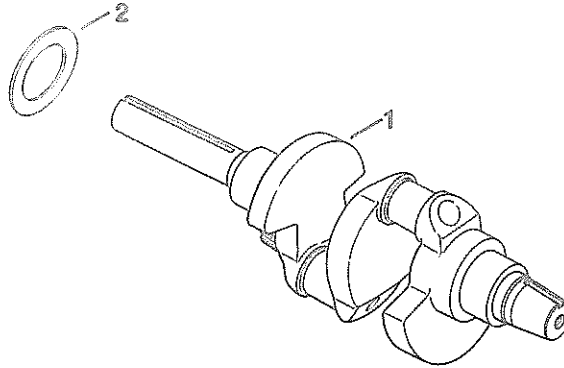
**KT17-KT19-KT21**

Index Number	Description Variation Number	Part Number	Index Number	Description Variation Number	Part Number
29	Plug, hex. cstk. hd. 3/8 ALL	X-75-32	37	Plug, cup 5/16 (Replaced by X-702-15)	
29	Plug, hex. cstk. hd. 1/8 20, 59	X-75-23		39, 50, 57, 61, 65, 67, 68, 69, 72, 73, 75, 76, 77, 80	X-702-13
30	Seal, front oil 1, 6, 7, 11, 12, 20, 31, 61	52 032 07	37	Plug, cup 5/16 78	X-702-15
30	Seal, front oil 37, 39, 40, 41, 42, 48, 50, 51, 52, 54, 55, 56, 57, 59, 64, 65, 67, 68, 69, 72, 73, 75, 76, 77, 78, 80	52 032 10	38	Screw, hex. flange 5/16-18 x 3-1/2 (6) ALL	X-802-7
31	Housing, oil (Replaced by 52 755 18) 39, 50, 57, 61, 65, 67, 68, 69, 72, 73, 75, 77	52 095 01	39	Washer, plain (2) (Replaced by 41 468 01) ALL (except 57, 61)	231258
31	Housing, oil 76, 78, 80	52 095 03	39	Washer, plain (3) (Replaced by 41 468 01) 57, 61	231258
32	Clip, spring 39, 50, 57, 61, 65, 67, 68, 69, 72, 73, 75, 76, 77, 78, 80	52 237 02	40	Stud 5/16-18 x 4-1/8 (2) ALL	X-352-33
33	Plug, cup 11/16 O.D. ALL	X-702-5	41	Screw, hex. wash. hd. 3/8-16 x 3-5/8 (2) ALL	X-802-10
34	Tube, oil pickup (Replaced by 52 755 18) 39, 50, 57, 61, 65, 67, 68, 69, 72, 73, 75, 77	52 123 08	42	Nut, whizlock flange 3/8-16 (12) ALL	52 100 03
34	Tube, oil pickup 76, 78, 80	52 123 10	43	Washer, plain (4) 37, 39, 41, 42, 51, 65, 69, 72	270889
35	Clamp 39, 50, 57, 61, 65, 67, 68, 69, 72, 73, 75, 77	235778	44	Stud 3/8-16 x 2 (12) (Replaced by 52 072 01) 1, 6, 7, 11, 12, 20, 31, 37, 39, 41, 48, 50, 51, 52, 54, 55, 59, 64	X-352-42
35	Clamp 76, 78, 80	52 237 04	44	Stud 3/8-16 x 2 (12) 40, 42, 56, 65, 67, 68, 69, 72, 73, 75, 76, 77, 78, 80	52 072 01
36	Screw 39, 50, 57, 61, 65, 67, 68, 69, 72, 73, 75, 77	X-67-97	45	Stud 5/16-18 x 2-1/2 57, 61	52 072 02
36	Screw 76, 78, 80	X-67-64	46	Screw, hex. flange 5/16-18 x 1-1/2 (2) ALL	X-802-6
			47	Bearing, ball - front 6, 40, 55, 75	X-238-3



KT17-KT19-KT21

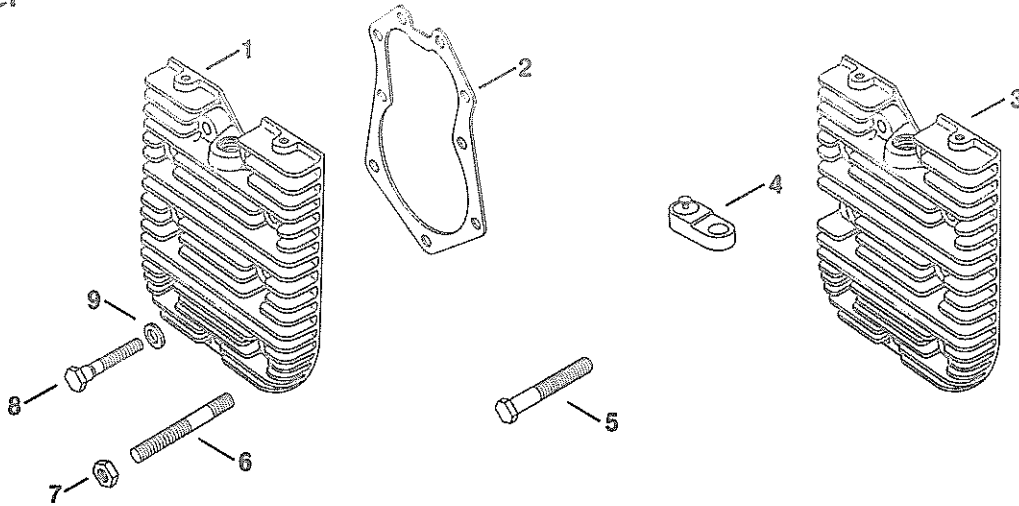
GROUP 8  
Crankshaft



Index Number	Description Variation Number	Part Number	Index Number	Description Variation Number	Part Number
1	Crankshaft 3	52 014 06	1	Crankshaft 58	52 014 29
1	Crankshaft 4	52 014 07	1	Crankshaft (Replaced by 52 014 48) 60, 65	52 014 32
1	Crankshaft 7	52 014 15	1	Crankshaft (Replaced by 52 014 46) 64	52 014 27
1	Crankshaft 11	52 014 08	1	Crankshaft 67	52 014 25
1	Crankshaft 13	52 014 10	1	Crankshaft 76	52 014 57
1	Crankshaft 29, 51	52 014 17	1	Crankshaft 78	52 014 60
1	Crankshaft (Replaced by 52 014 51) 39	52 014 40	2	Washer, thrust .119/.122 (A.R.) 3, 7, 11, 13, 29, 39, 43, 44, 49, 51, 54, 58, 60, 64, 65, 66, 76, 78	52 468 03
1	Crankshaft 43	52 014 23	2	Washer, thrust .128/.131 3, 7, 11, 13, 29, 39, 43, 44, 49, 51, 54, 58, 60, 64, 65, 66, 76, 78	52 468 04
1	Crankshaft (Replaced by 52 014 47) 66	52 014 31	2	Washer, thrust .137/.140 (A.R.) 3, 7, 11, 13, 29, 39, 43, 44, 49, 51, 54, 58, 60, 64, 65, 66, 76, 78	52 468 05
1	Crankshaft (Replaced by 52 014 56) 44	52 014 24	2	Washer, thrust .123/.127 (A.R.) 51, 65	52 468 07
1	Crankshaft (Replaced by 52 014 55) 49	52 014 36	2	Washer, thrust .132/.136 (A.R.) 51, 65	52 468 08
1	Crankshaft (Replaced by 52 014 45) 54	52 014 26	2	Spacer, shim .018/.022 (A.R.) 4, 67	52 422 02

KT17-KT19-KT21

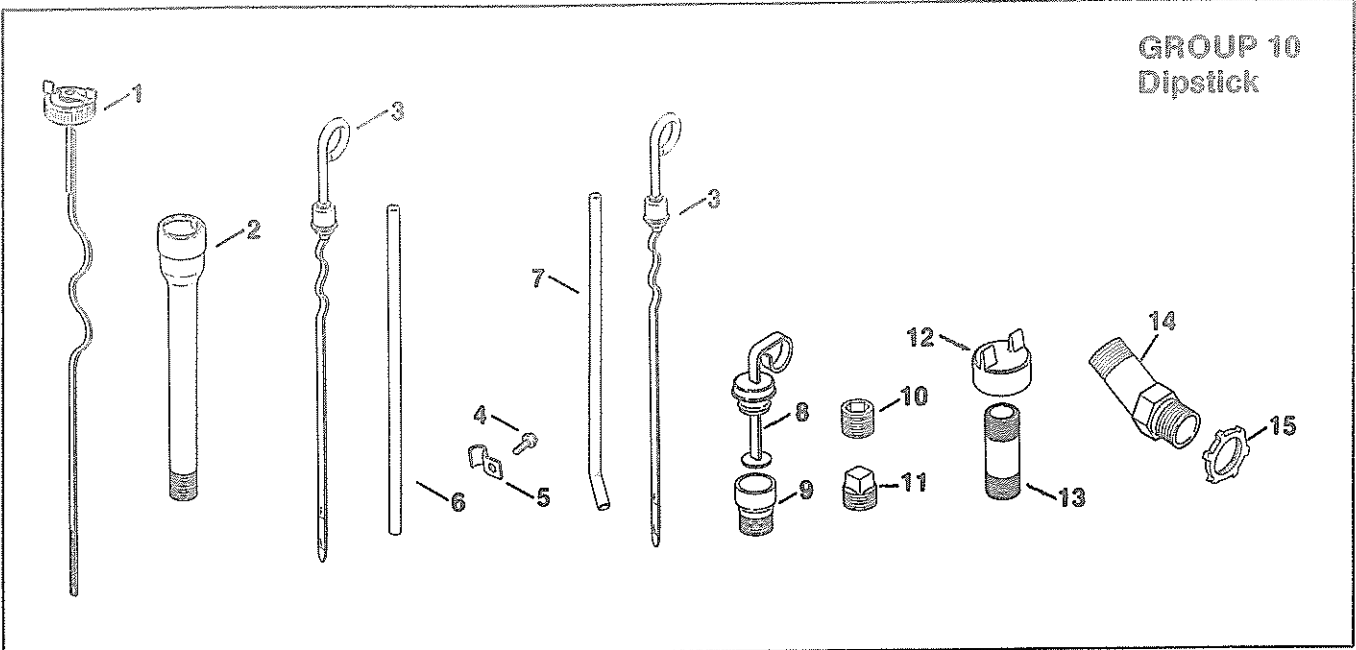
**GROUP 9**  
**Cylinder**  
**Head**



Index Number	Description Variation Number	Part Number	Index Number	Description Variation Number	Part Number
1	Head, cylinder #1 & #2 (2) (Replaced by 52 015 06) 1	52 015 05	5	Screw, hex. hd. 5/16-18 x 2 (For Generator sets with high temp. cutout switch) 3	230577
1	Head, cylinder #1 & #2 (2) 2	52 015 03	6	Stud, cylinder head 3	232810
1	Head, cylinder #1 (For Generator sets with high temp. cutout switch) 3	52 015 05	7	Nut, hex. 5/16-18 3	X-82-2
1	Head, cylinder #1 & #2 (2) 5	52 015 07	8	Screw, cylinder head (18) 1, 2, 5	41 086 02
1	Head, cylinder #1 & #2 (2) (For Generator sets without high temp. cutout switch) 3	52 015 06	8	Screw, cylinder head (16) (For Generator sets with high temp. cutout switch) 3	41 086 02
2	Gasket, cylinder head (2) 1, 3, 5	52 052 03	8	Screw, cylinder head (17) (For Generator sets without high temp. cutout switch) 3	41 086 02
2	Gasket, cylinder head (2) 2	52 052 02	9	Washer, cylinder head (18) 1, 2, 3, 5	220534
3	Head, cylinder #2 (For Generator sets with high temp. cutout switch) 3	52 015 04			
4	Switch, high tem. cutout (Replaced by 47 703 01) (For Generator sets with high temp. cutout switch) 3	230989			

KT17-KT19-KT21

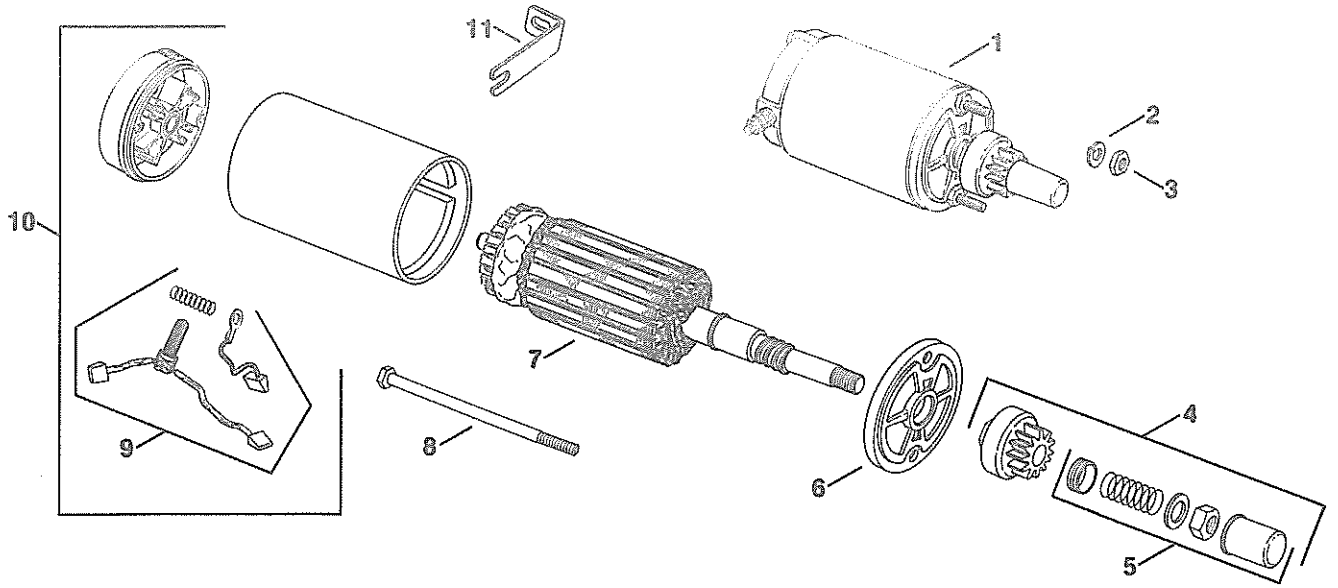
GROUP 10  
Dipstick



Index Number	Description Variation Number	Part Number	Index Number	Description Variation Number	Part Number
1	Dipstick, oil level 2	52 272 02	8	Plug, oil fill - dipstick type 3, 8	52 038 02
2	Tube, oil fill 2	277723	9	Tube, oil fill (Replaced by 47 123 08) 3	237012
3	Dipstick, oil level 1, 3, 4, 9, 13, 14	52 038 04	9	Tube, oil fill 8	47 123 08
3	Dipstick, oil level 8	52 038 05	10	Plug, oil fill - hex ctsk. hd. 2	47 139 01
3	Dipstick, oil level (Replaced by 52 038 04) 10, 12	52 038 06	11	Plug, oil fill - square hd. 1, 4, 9, 10	X-75-6
4	Screw, tapping 10 - 24 x 3/8 1, 3, 4, 8, 9, 10, 12, 13, 14	X-67-64	12	Pipe, cap 12, 13, 14	52 173 01
5	Clip, tube 1, 3, 4, 8, 9, 10, 12, 13, 14	52 154 01	13	Pipe, oil fill 3/4 I.P. x 2-1/2" 12, 13	46 136 02
6	Tube, oil level (Replaced by 52 123 09) 1, 3, 4	52 123 02	14	Tube, oil fill (Replaced by 52 134 04) 14	52 134 03
7	Tube, oil level 8, 9, 10, 12, 13, 14	52 123 09	15	Nut, lock 14	X-427-1

# KT17-KT19-KT21

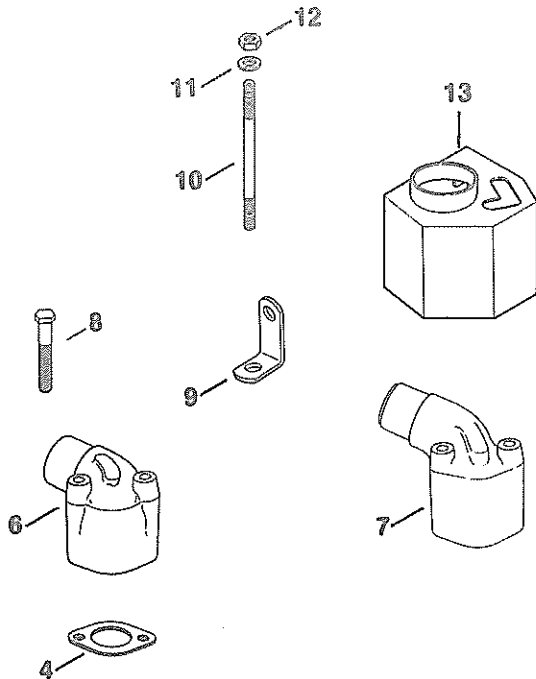
## GROUP 11 Electric Start



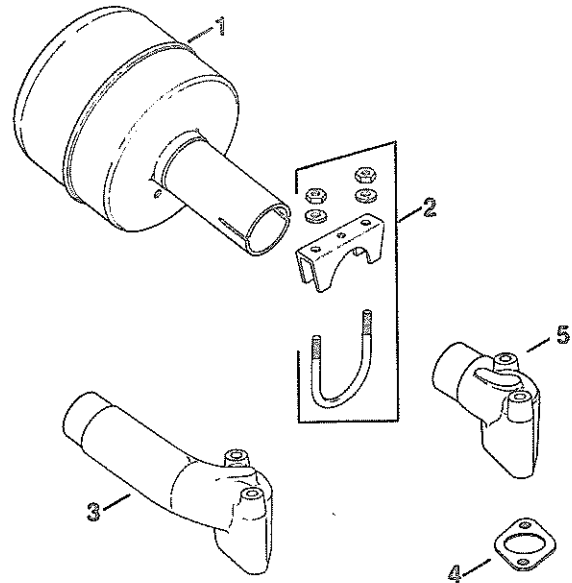
Index Number	Description Variation Number	Part Number	Index Number	Description Variation Number	Part Number
1	Starter - assembly (AMBAC SM-18190) (Includes 4 thru 10) 1	52 098 03	6	Cap, drive end 1, 3, 5, 99	52 227 01
1	Starter - assembly (AMBAC SM-18191) (Includes 4 thru 10) 3	52 098 04	7	Armature 1, 3	52 170 02
1	Starter - assembly (AMBAC 17705-25-M030SM) (Includes 4 thru 10) 99		7	Armature 5	52 170 03
	Before Serial No. 9544628 use	52 098 02	7	Armature 99	52 170 01
	After Serial No. 9544627 use	52 098 03		Before Serial No. 9544268 use	52 170 01
	After Serial No. 9544627 use	52 098 03		After Serial No. 9544267 use	52 170 02
1	Starter - assembly (AMBAC SM-21349) (Includes 4 thru 10) 5	52 098 06	8	Bolt, thru (2) 1, 3, 99	52 211 01
2	Washer, split lock 1/4 (2) 1, 3, 5, 99	X-20-1	8	Bolt, thru (2) 5	52 211 03
3	Nut, hex 1/4-20 (2) 1, 3, 5, 99	X-31-1	9	Kit, brush & spring 1, 99	48 755 15
4	Kit, drive (Includes 5) 1, 3, 5	52 755 05	9	Kit, brush & spring 3, 5	52 755 15
4	Kit, drive (Includes 5) 99		10	Kit, commutator end cap (Includes brush holder, brushes & springs) 1, 99	48 227 04
	Before Serial No. 9544628 use	52 755 03	10	Kit, commutator end cap (Includes brush holder, brushes & springs) 3	52 227 03
	After Serial No. 9544627 use	52 755 05	10	Kit, commutator end cap (Includes brush holder, brushes & springs) 5	52 227 07
5	Kit, drive parts 1, 3, 5	52 755 08	11	Bracket, starter support 5	52 126 03
5	Kit, drive parts 99				
	Before Serial No. 9544628 use	48 755 13			
	After Serial No. 9544627 use	52 755 08			

**GROUP 12  
Exhaust**

**No. 2 Exhaust Manifold**

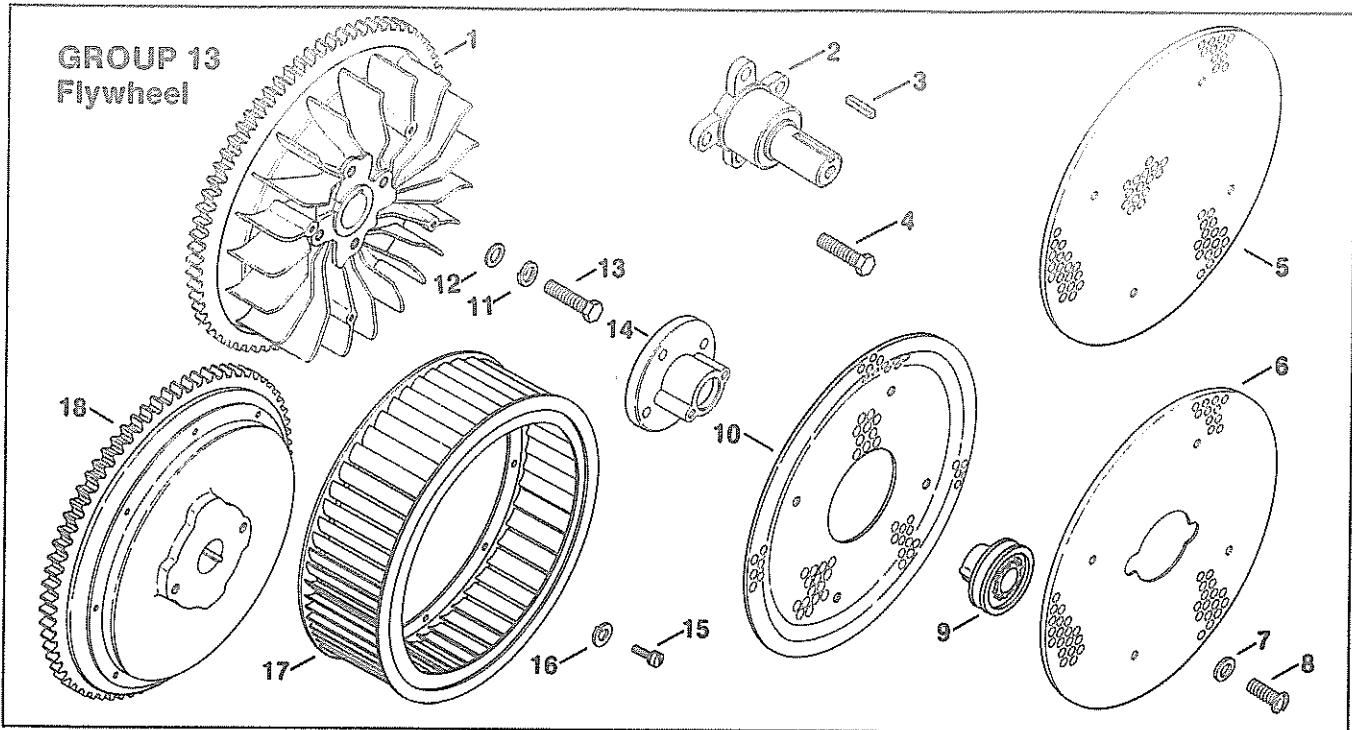


**No. 1 Exhaust Manifold**



Index Number	Description Variation Number	Part Number	Index Number	Description Variation Number	Part Number
1	Muffler (2) 10	52 068 04	9	Strap, lifting (2) 2, 3	47 445 01
2	Clamp, muffler 1-1/2" (2) 10	237548	10	Stud 5/16-18 x 4 (4) 2, 3, 6, 7, 9, 10	X-352-18
3	Manifold, exhaust - #1 2, 7, 8	52 054 05	10	Stud 5/16-18 x 4 (2) 8	X-352-18
4	Gasket, manifold (2) (Replaced by 52 041 10) 2, 3, 6, 7, 8, 9, 10, 99	52 041 06	10	Stud 5/16-18 x 4 (3) 13, 14	X-352-18
4	Gasket, manifold (2) 13, 14	52 041 10	10	Stud 5/16-18 x 4-3/4 (2) 8	X-352-43
5	Manifold, exhaust - #1 3, 6, 9, 10, 13, 14	52 054 01	11	Washer, split lock 5/16 (4) 2, 3, 6, 7, 8, 9, 10, 13, 14	X-21-1
6	Manifold, exhaust - #2 6, 10, 13	52 054 03	12	Nut, hex. hd. 5/16-18 (4) 2, 3, 6, 7, 8, 9, 10, 13	X-82-2
7	Manifold, exhaust - #2 2, 3, 7, 8, 9, 14	52 054 06	12	Nut, hex. hd. 5/16-18 (3) 14	X-82-2
8	Screw, H.C. 5/16-18 x 3-1/4 (Replaced by 52 086 09) 13, 14	52 086 07	13	Heater, air inlet 13	52 319 01

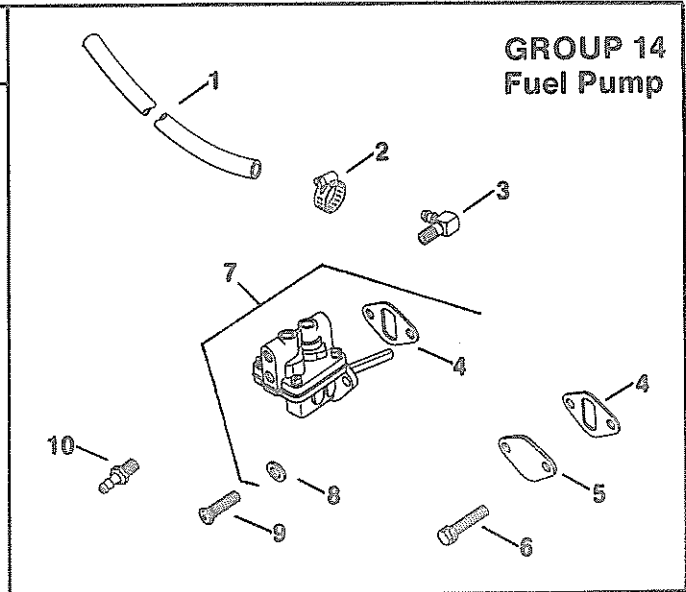
# KT17-KT19-KT21



Index Number	Description Variation Number	Part Number	Index Number	Description Variation Number	Part Number
1	Flywheel 2, 3, 9, 16, 17, 18, 19, 41, 199, 200	52 025 15	4	Screw, H.C. 3/8-16 x 1 (4) 9, 16, 17, 19, 21, 29, 37, 40, 41, 43, 197, 198, 199, 200	X-159-2
1	Flywheel 5	52 025 19	5	Screen, grass (Replaced by 52 755 31) 2, 23, 34	52 162 02
1	Flywheel 26	52 025 20	5	Screen, grass (Replaced by 52 162 15) 18	52 162 13
1	Flywheel 21, 37, 40 <i>Before Serial No. 14003556 use 52 025 20</i> <i>After Serial No. 14003555 use 52 025 25</i>		5	Screen, grass 26, 46	52 162 15
1	Flywheel 23, 29, 31, 43 <i>Before Serial No. 13177575 use 52 025 20</i> <i>After Serial No. 13177574 use 52 025 25</i>		6	Screen, grass (Replaced by 52 755 28) 9, 29	52 162 08
1	Flywheel 27 <i>Before Serial No. 13177575 use 52 025 23</i> <i>After Serial No. 13177574 use 52 025 34</i>		6	Screen, grass (Replaced by 52 755 29) 16, 31	52 162 10
1	Flywheel 34 <i>Before Serial No. 13177575 use 52 025 22</i> <i>After Serial No. 13177574 use 52 025 26</i>		7	Washer, plain 1/4 (4) 2, 5, 9, 16, 26, 27, 43, 46	X-25-52
1	Flywheel 198 <i>Before Serial No. 9544628 use 52 025 13</i> <i>After Serial No. 9544627 use 52 025 15</i>		7	Washer, plain 1/4 (4) (Used Before Serial No. 13177575) 23, 29, 31, 34	X-25-52
1	Flywheel 46	52 025 32	8	Screw, truss head 1/4-20 x 5/8 (4) (Replaced by 47 086 05) 2, 5, 9, 16, 18, 19, 21, 26, 27, 43, 46, 198, 199, 200	X-166-2
1	Flywheel 47, 197	52 025 25	8	Screw, truss head 1/4-20 x 5/8 (4) (Replaced by 47 086 05) (Used Before Serial No. 13177575) 23, 29, 31, 34	X-166-2
2	Shaft, front drive 17, 37	235954	8	Screw, truss head 1/4-20 x 5/8 (4) (Used After Serial No. 13177574) 23, 29, 31, 34	47 086 08
2	Shaft, front drive 19, 40, 41, 199	52 144 07	8	Screw, truss head 1/4-20 x 5/8 (4) 197	47 086 08
2	Shaft, front drive 43	235977			
3	Key, square 3/16 x 1-3/8 ALL	X-286-17			

Index Number	Description Variation Number	Part Number	Index Number	Description Variation Number	Part Number
9	Cup, drive 5, 27	52 071 01	12	Washer 5, 17, 27	52 114 01
10	Screen, grass (Replaced by 52 755 30) 5, 27	52 162 17	13	Screw, H.C. 3/8-24 x 1-1/4 2, 3, 5, 6, 9, 16, 18, 19, 21, 23, 26, 27, 29, 31, 34, 37, 39, 40, 41, 43, 46, 47, 197, 198, 199, 200	X-7-38
10	Screen, grass (Replaced by 52 755 22) 19,43	52 162 09	13	Screw, H.C. 3/8-24 x 1 17	X-7-27
10	Screen, grass (Replaced by 52 162 03) 198, 199, 200	52 162 07	14	Adapter, front drive 16, 31	237373
10	Kit, grass screen 197	52 755 22	15	Screw, hex socket hd. (8) 6, 39	X-55-4
11	Washer, split lock ALL	X-22-1	16	Washer, split lock (8) 6, 39	X-19-1
12	Washer 2, 3, 6, 9, 16, 18, 19, 21, 23, 26, 29, 31, 34, 37, 39, 40, 41, 43, 46, 47, 197, 198, 199, 200	52 114 02	17	Fan 6, 39	52 157 01
			18	Flywheel 6	52 025 16
			18	Flywheel 39	52 025 24

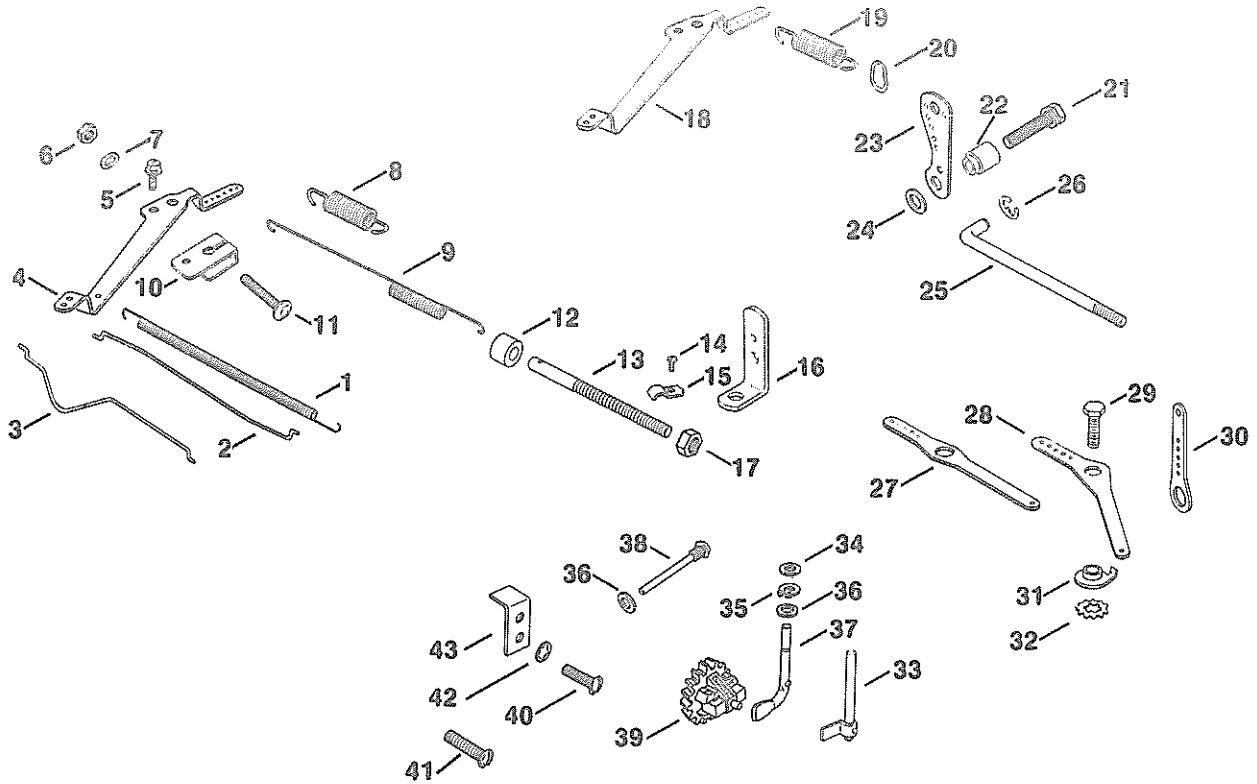
Index Number	Description Variation Number	Part Number
1	Hose 1/4 x 1/2 x 6 (Replaced by X-810-12) 1, 3, 5, 6	X-386-25
1	Hose 1/4 x 1/2 x 6-1/2 (Replaced by X-810-3) 7	X-386-54
2	Clamp hose (2) 1, 3, 5, 6, 7	X-426-9
3	Connector, hose 1, 5, 7	X-391-1
3	Connector, hose (2) 3, 6	X-391-1
4	Gasket 1, 2, 3, 5, 6	47 041 04
4	Gasket, insulating 7	277649
5	Cover, pump pad 2	240282
6	Screw, H. C. 1/4-20 x 1/2 (2) 2	X-132-6
7	Pump, fuel 1, 3, 5, 6, 7	52 559 01
8	Washer, plain (2) 1, 3, 5, 6, 7	X-25-63
9	Screw, fillister head 1/4-20 x 3/4 (2) (Replaced by 47 086 08) 1, 3, 5, 6	X-174-2



Index Number	Description Variation Number	Part Number
9	Screw, truss hd. 1/4-20 x 5/8 (2) 7	47 086 08
10	Connector, hose 1, 5, 7	X-380-1

KT17-KT19-KT21

GROUP 17  
Governor



Index Number	Description Variation Number	Part Number	Index Number	Description Variation Number	Part Number
1	Spring, linkage 3	230117	11	Bolt, round hd. square neck 1/4-20 x 14	52 211 04
2	Link, governor 1, 3	52 354 02	12	Spacer 3	X-400-122
2	Link, governor 6, 10	52 354 03	13	Rod, speed control 10	236258
3	Link, governor 4, 5	52 079 01	14	Screw, H.C. 10-24 x 7/16 (2) 1, 4, 5, 6, 7, 8, 10, 14	X-67-97
3	Link, governor 7, 8, 14	52 079 02	14	Screw, H.C. 10-24 x 7/16 3	X-67-97
4	Arm, governor (Replaced by 52 187 02) 1, 3, 4, 5	52 186 03	15	Clamp, cable (2) 1, 4, 5, 6, 7, 8, 10, 14	235778
5	Screw, sems 10-24 x 3/8 (Used only with 51 237 01 Clamp) 1, 3, 4, 5, 6, 7, 8, 10, 14	X-131-1	15	Clamp, cable 3	235778
6	Nut, hex 1/4-20 1, 3, 4, 5, 6, 7, 8, 10, 14	X-81-1	16	Bracket, throttle cable 5, 8	52 126 02
7	Washer, plain 1/4 1, 3, 4, 5, 6, 7, 8, 10, 14	X-25-72	17	Nut, hex. hd. #10-32 (2) 3, 10	X-70-3
8	Spring, governor 1, 6, 10, 14	52 091 04	18	Arm, governor (Replaced by 52 187 02) 6, 7, 8, 10, 14	52 187 01
9	Spring, governor 4, 5, 7, 8, 10	52 091 05	19	Spring, governor 3	52 091 06
10	Clamp, governor (Replaced by 52 187 02) 1, 3, 4, 5, 6, 7, 8, 10, 14	51 237 01	20	Washer, wave 3	275690
11	Screw, R. H. 1/4-20 (Replaced by 52 211 04) 1, 3, 4, 5, 6, 7, 8, 10	X-795-1	21	Screw, H.C. 1/4-20 x 7/8 3	X-132-7
			22	Spacer 3	52 112 05

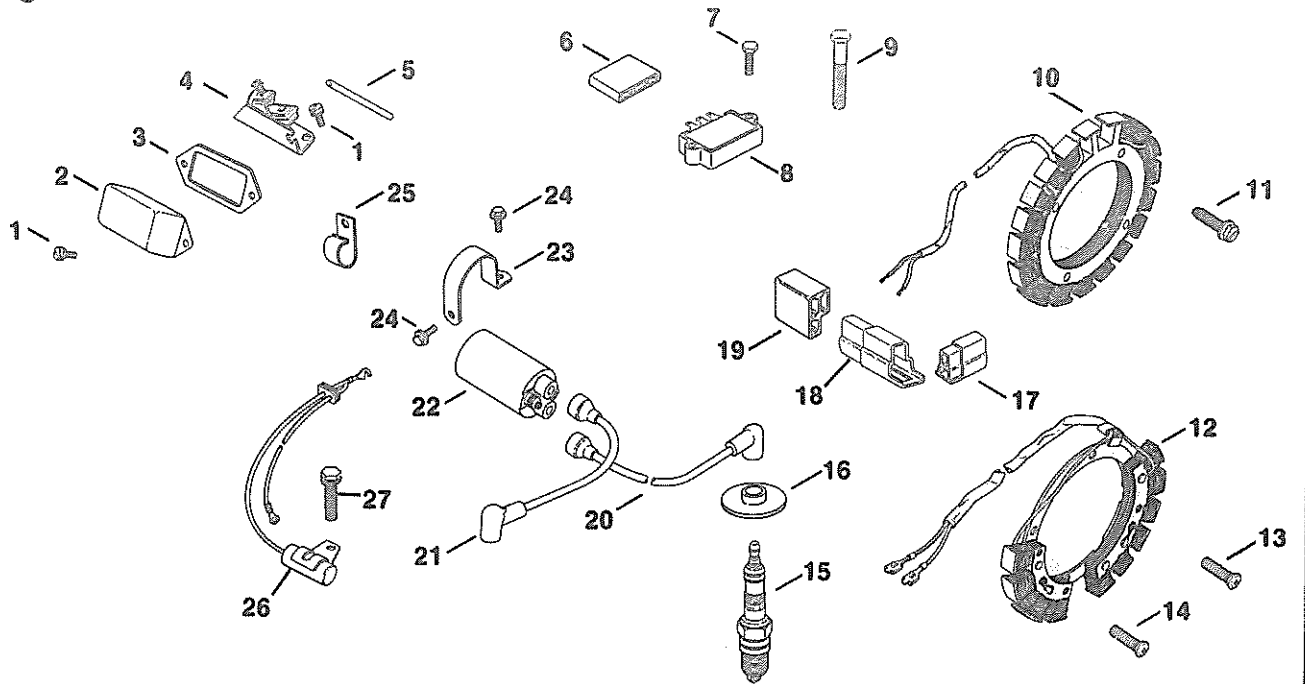


KT17-KT19-KT21

GROUP 17  
(Cont'd.)

Index Number	Description Variation Number	Part Number	Index Number	Description Variation Number	Part Number
24	Washer, plain 1/4 3	X-25-63	36	Washer, plain 1/4 (2) 1, 4, 5	X-25-102
25	Rod, ball joint 3	52 411 02	36	Washer, plain 1/4 6, 7, 8, 10, 14	X-25-102
26	Clip, ring 3	235278	37	Shaft, governor cross (Replaced by 52 078 04) 1, 4, 5, 6, 7, 8, 10	51 078 02
27	Lever, speed control 4, 7	52 119 02	37	Shaft, governor 14	52 078 04
28	Lever, speed control 5, 8	52 119 03	38	Pin, governor stop 1, 3, 4, 5, 6, 7, 8, 10, 14	231355
29	Screw, H.C. 1/4-20 x 5/8 1, 4, 5, 6, 7, 8, 14	X-5-1	39	Kit, governor gear 1, 4, 5, 6, 7, 8, 10, 14	A-235743-S
30	Lever, speed control 1, 6, 14	52 119 01	39	Gear, governor (Replaced by 52 042 03) 3	52 042 02
31	Stop, governor 1, 4, 5, 6, 7, 8, 14	234614	40	Screw, R.H.M. 8-32 x 3/8 (2) 3	X-51-12
32	Washer, internal/external tooth 1/4 1, 4, 5, 6, 7, 8, 14	X-22-12	41	Screw, R.H.M. 8-32 x 3/4 3	X-51-11
33	Shaft, governor cross 3	52 420 06	42	Washer, internal tooth #8 (2) 3	X-22-7
34	Washer, plain 1/4 1, 3, 4, 5, 6, 7, 8, 10, 14	X-25-12	43	Bracket, governor housing 3	52 126 01
34	Washer, plain 1/4 (2) 6, 7, 8, 10, 14	X-25-60			
35	Retainer, governor 1, 4, 5, 6, 7, 8, 10, 14	X-269-28			

# Ignition



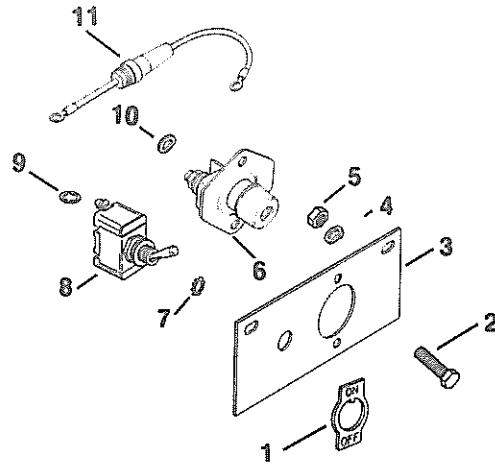
Index Number	Description Variation Number	Part Number	Index Number	Description Variation Number	Part Number
1	Screw, F. H. sems 10-24 x 3/8 (4) 1, 2, 4, 5, 6, 7, 8, 9, 10	X-131-1	13	Screw, fillister hd. 10-24 x 7/16 (3) 1	X-67-84
2	Cover, breaker 1, 2, 4, 5, 6, 7, 8, 9, 10	51 096 02	14	Screw, fillister hd. 10-24 x 15/16 1	X-67-85
3	Gasket, breaker cover (Replaced by 52 041 11) 1, 2, 4, 5, 6, 7	220174	15	Spark plug (2) 1, 2, 4, 5, 6, 7, 8, 9, 10	51 132 02
3	Gasket, breaker cover 8, 9, 10	52 041 11	16	Grommet, spark plug (2) 4, 6	47 313 01
4	Breaker (Replaced by 47 150 03) 1, 2, 4, 5, 6, 7	52 150 02	17	Connector - Male 2, 5, 7, 9, 10	48 155 02
4	Breaker 8, 9, 10	47 150 03	18	Connector - Female 10	48 155 03
5	Rod, breaker push 1, 2, 5, 6, 7, 8, 9, 10	52 411 01	19	Connector 1	236473
5	Rod, breaker push 4	52 411 05	20	Lead, hi-tension 19" 1, 2, 4, 5, 6, 7, 8, 9, 10	52 348 02
6	Connector 2, 5, 6, 7, 9, 10	236602	21	Lead, hi-tension 11" 1, 2, 4, 5, 6, 7, 8, 9, 10	52 348 01
7	Screw, hex. washer hd. 1/4-20 x 1 (2) 2, 6, 7	X-67-96	22	Coil, ignition (Replaced by 52 145 02) 1, 2, 4, 5, 6, 7	51 145 01
8	Rectifier - regulator 2, 5, 6, 7, 9, 10	41 403 05	22	Coil, ignition 8, 9, 10	52 145 02
9	Screw, H. C. 1/4-20 x 7/8 (2) 5, 9, 10	X-5-3	23	Strap, coil (Replaced by 52 445 03) 1, 2, 4, 5, 6, 7	52 445 01
10	Stator 2, 5, 6, 7, 9, 10	237878	23	Strap, coil 8, 9, 10	52 445 03
11	Screw, H. C. 10-24 x 3/4 (4) 2, 5, 6, 7, 9, 10	X-67-51	24	Screw, tapping 1/4-20 x 7/16 (2) 1, 2, 4, 5, 6, 7, 8, 9, 10	X-67-83
12	Stator 1	45 085 02	25	Clip, lead 1, 7	48 154 02

KT17-KT19-KT21

Index Number	Description Variation Number	Part Number	Index Number	Description Variation Number	Part Number
26	<b>Condenser</b> (Includes #26) 1, 2, 4, 5, 6, 7, 8 <i>Before Serial No. 11261523 use 52 755 13</i> <i>After Serial No. 11261522 use 52 147 01</i>			<u>Not Illustrated</u>	
26	<b>Condenser</b> (Includes #26) 9, 10	52 147 01		<b>Lead, coil (10" - 14 gauge - push on tab and insulated barrel eyelet terminals)</b> 1	25 518 07
27	<b>Screw, hex. washer hd. 1/4-20 x 3/4</b> (Use only after serial number 11261522) 1, 2, 4, 5, 6, 7, 8	X-67-62		<b>Lead, rectifier regulator (10" - 18 gauge - push on tab and uninsulated barrel eyelet terminals)</b> 2, 9, 10	25 518 05
27	<b>Screw, hex. washer hd. 1/4-20 x 3/4</b> 9, 10	X-67-62		<b>Lead, coil (16" - 14 gauge - push on tab and insulated barrel eyelet terminals)</b> 2, 9, 10	25 518 09
				<b>Lead, coil (6" - 14 gauge - push on tab and insulated barrel eyelet terminals)</b> 5, 7	25 518 06
				<b>Lead, rectifier regulator (16" - 14 gauge - push on tab terminals)</b> 5, 7	25 518 10

# KT17-KT19-KT21

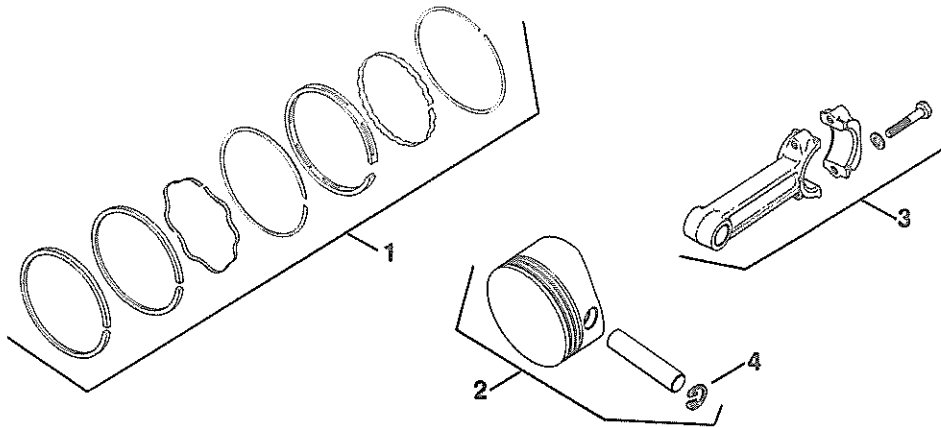
## GROUP 19 INSTRUMENT PANEL



Index Number	Description Variation Number	Part Number	Index Number	Description Variation Number	Part Number
1	Plate, instruction 200	220725	7	Washer, E.T. 1/4 200	X-22-38
2	Screw, H.C. 1/4-20 x 1/2 (2) 200	X-5-13	8	Switch, toggle 200	238011
3	Panel, control 200	237594	9	Washer, I.T. #6 (4) 200	X-22-6
4	Washer, split lock 1/4 (2) 200	X-20-1	10	Washer, plain 5/16 (2) 200	X-25-5
5	Nut, hex 1/4-20 (2) 200	X-81-1	11	Holder, fuse 200	41 323 02
6	Switch, push button 200	237851			

# KT17-KT19-KT21

## GROUP 22 Piston & Rod

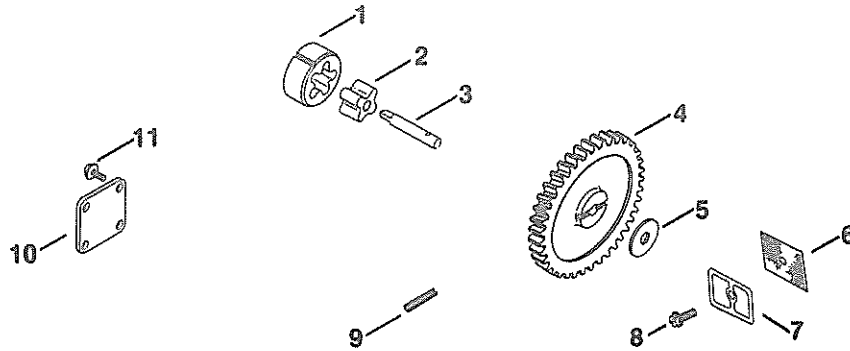


Index Number	Description Variation Number	Part Number	Index Number	Description Variation Number	Part Number
<b>Model KT17</b>			<b>Model KT19</b>		
1	Ring Set - Std. & .003 (2) 1, 5, 7, 11	52 108 01	1	Ring Set - Std. & .003 (2) 6	52 108 01
	Ring Set - .010 (2)	52 108 02		Ring Set - .010 (2)	52 108 02
	Ring Set - .020 (2)	52 108 03		Ring Set - .020 (2)	52 108 03
	Ring Set - .030 (2)	52 108 04		Ring Set - .030 (2)	52 108 04
2	Piston assembly - Std. (2) (Replaced by 52 074 67) 1, 5	52 074 19	2	Piston assembly - Std. (2) (Replaced by 52 074 72) 6	52 074 32
	Piston assembly - .003 (2) (Replaced by 52 074 68)	52 074 20		Piston assembly - .003 (2) (Replaced by 52 074 73)	52 074 33
	Piston assembly - .010 (2) (Replaced by 52 074 69)	52 074 03		Piston assembly - .010 (2) (Replaced by 52 074 74)	52 074 34
	Piston assembly - .020 (2) (Replaced by 52 074 70)	52 074 04		Piston assembly - .020 (2) (Replaced by 52 074 75)	52 074 35
	Piston assembly - .030 (2) (Replaced by 52 074 71)	52 074 05		Piston assembly - .030 (2) (Replaced by 52 074 76)	52 074 36
	Piston assembly - Std. (2) 7, 11	52 074 67	3	Connecting rod - Std. (2) (Replaced by 52 067 33) 6	52 067 21
	Piston assembly - .003 (2)	52 074 68		Connecting rod - .010 U. S. (2) (Replaced by 52 067 34)	52 067 22
	Piston assembly - .010 (2)	52 074 69	4	Retainer, piston pin (4) 6	52 141 01
	Piston assembly - .020 (2)	52 074 70	<b>Model KT21</b>		
	Piston assembly - .030 (2)	52 074 71	1	Ring Set - Std. & .003 (2) 2	52 108 05
3	Connecting rod - Std. (2) (Replaced by 52 067 29) 1, 5	52 067 02		Ring Set - .010 (2)	52 108 06
	Connecting rod - .010 U. S. (2) (Replaced by 52 067 30)	52 067 08		Ring Set - .020 (2)	52 108 07
	Connecting rod - Std. (2) (Replaced by 52 067 55) 7	52 067 29		Ring Set - .030 (2)	52 108 08
	Connecting rod - .010 U. S. (2) (Replaced by 52 067 56)	52 067 30	2	Piston assembly - Std. (2) 2	52 074 77
	Connecting rod - Std. (2) 11	52 067 61		Piston assembly - .003 (2)	52 074 78
	Connecting rod - .010 U. S. (2)	52 067 62		Piston assembly - .010 (2)	52 074 79
4	Retainer, piston pin (4) 1, 5, 7, 11	230004		Piston assembly - .020 (2)	52 074 80
				Piston assembly - .030 (2)	52 074 81
			3	Connecting rod - Std. (2) 2	52 067 41
				Connecting rod - .010 U. S. (2)	52 067 42
			4	Retainer, piston pin (4) 2	47 018 01

(Note: All piston assemblies contain piston, piston pins & retainers)

KT17-KT19-KT21

**GROUP 25**  
**Oil Pump**



Index Number	Description Variation Number	Part Number	Index Number	Description Variation Number	Part Number
1	Rotor, outer 1, 2	51 414 02	7	Clamp, oil screen 1	52 237 01
2	Rotor, inner 1, 2	51 414 01	8	Screw, tapping 10-32 x 3/8 1	X-67-64
3	Shaft, oil pump 1, 2	52 144 05	9	Pin, roll 1, 2	X-280-25
4	Gear, oil pump (Replaced by 52 043 05) 1, 2	52 043 03	10	Cover, oil pump 1, 2	52 096 03
5	Spacer (A.R. Max. 2) 1, 2	52 422 01	11	Screw, tapping 10-32 x 7/16 (4) 1, 2	X-67-64
6	Screen 1	52 162 04			

KT17-KT19-KT21

GROUP 39  
Gasket Set

Description Variation Number	Part Number	Description Variation Number	Part Number
<b>Model KT17</b>		<b>Model KT17 &amp; KT19</b>	
Gasket Set		Gasket Set	
1	52 755 01	12	52 755 12
<i>Set Includes</i>		<i>Set Includes</i>	
Seal, front oil	52 032 07	Seal, front oil	52 032 10
Seal, rear oil	X-583-5	Seal, rear oil 1-3/8" I.D.	X-583-5
Gasket, breaker cover	52 041 11	Seal, rear oil 1-1/2" I.D.	52 032 09
Gasket, elbow	277069	Gasket, breaker cover	52 041 11
Gasket, air cleaner	277093	Gasket, elbow	277069
Gasket, fuel pump	47 041 04	Gasket, air cleaner	277093
Gasket, intake (2)	52 041 09	Gasket, fuel pump	47 041 04
Gasket, closure plate	52 041 08	Gasket, intake (2)	52 041 09
Gasket, cylinder barrel (2)	52 041 04	Gasket, exhaust (2)	52 041 10
Gasket, carburetor	271030	Gasket, closure plate	52 041 08
Seal, valve stem (2)	52 032 05	Gasket, cylinder barrel (2)	52 041 04
Gasket, cylinder head (2)	52 052 03	Gasket, carburetor	271030
Gasket, valve cover (3)	52 055 01	Seal, valve stem (2)	52 032 05
Gasket, air cleaner	52 055 04	Gasket, cylinder head (2)	52 052 04
Seal, breather	52 032 04	Gasket, valve cover (3)	52 055 01
Gasket, exhaust (2)	52 041 10	Gasket, air cleaner	52 055 04
		Seal, breather	52 032 04
<b>Model KT21</b>			
Gasket Set			
10	52 755 10		
<i>Set Includes</i>			
Seal, front oil	52 032 10		
Seal, rear oil 1-3/8" I.D.	X-583-5		
Seal, rear oil 1-1/2" I.D.	52 032 09		
Gasket, breaker cover	52 041 11		
Gasket, carburetor	271030		
Gasket, elbow	277069		
Gasket, air cleaner	277093		
Gasket, fuel pump	47 041 04		
Gasket, intake (2)	52 041 09		
Gasket, exhaust (2)	52 041 10		
Gasket, closure plate	52 041 08		
Gasket, cylinder barrel (2)	52 041 04		
Seal, breather	52 032 04		
Seal, valve stem (2)	52 032 05		
Gasket, cylinder head (2)	52 052 02		
Gasket, valve cover (3)	52 055 01		
Gasket, air cleaner (2)	52 055 04		

# KOHLER engines

ENGINE DIVISION, KOHLER CO., KOHLER, WISCONSIN 53044