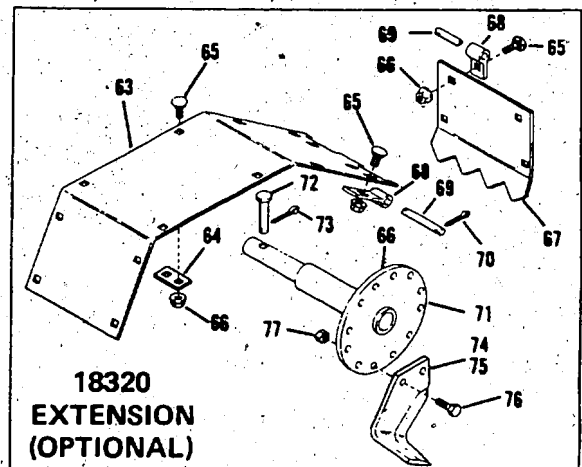
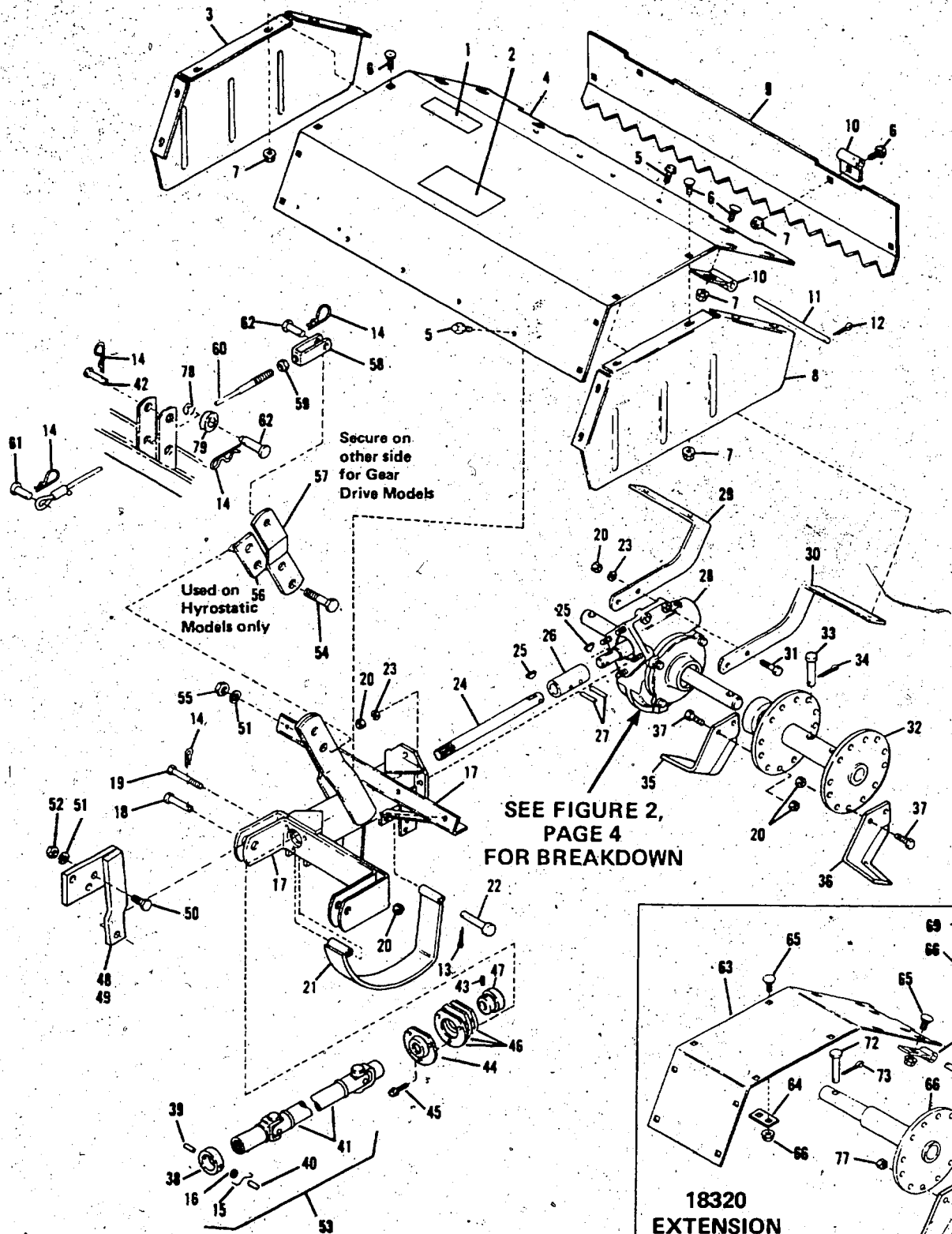


33 INCH TILLER ATTACHMENT



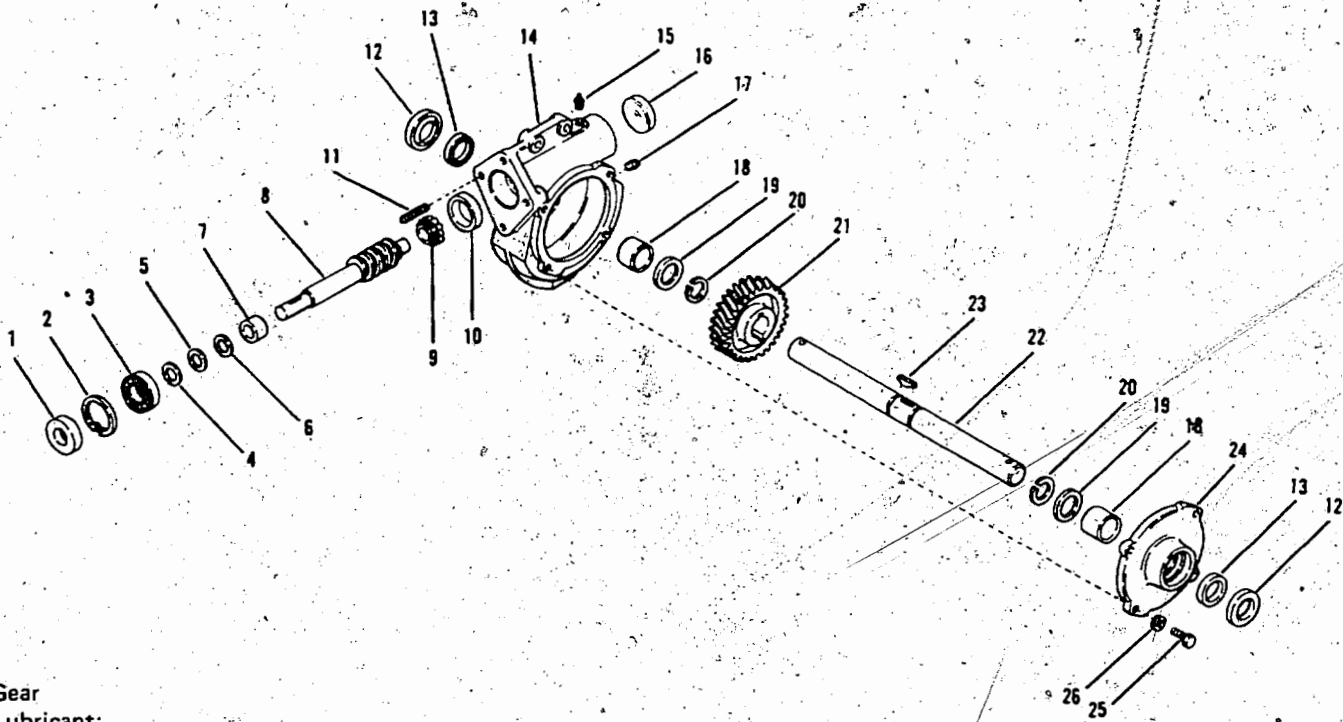
REF. NO.	PART NO.	DESCRIPTION	NO. REQ'D.	REF. NO.	PART NO.	DESCRIPTION	NO. REQ'D.
1	1745889	Decal, Logo	1	44	1734735	Bearing, Flange	1
2	1750712	Decal, Caution	1	45	• 1724492	Screw, Fl. Lock 1/4-20 x 1/2 (Thd. Form.)	3
3	1726850	Hood, Side LH	1	46	1733283	Spacer	3
4	1726854	Hood Top	1	47	1741640	Bearing Ball	1
5	• 1724491	Screw, Fl. Lock 5/16-18 x 3/4 (Thd. Form.)	8	48	1733855	R.H. Hitch Arm	1
6	• 1186469	Bolt-Short Neck Carriage 5/16-18 x 3/4	16	49	1733854	L.H. Hitch Arm	1
7	• 1186391	Nut, Fl. Lock 5/16-18	16	50	• 1100055	Screw, Hex 1/2-13 x 1-1/4	6
8	1726851	Hood, Side RH	1	51	• 1100245	Lock Washer 1/2	8
9	1723504	Board, Leveling	1	52	• 1186233	Nut, Hex 1/2-13	6
10	1718196	Hinge	4	53	1738559	Drive Shaft Assy. (Includes Items 15, 16, 38, 39, 40, & 41)	1
11	1723031	Pin, Hinge	1	54	• 1100080	Hex Screw 1/2-13 x 2-3/4	2
12	• 1100346	Pin, Cotter 3/32 x 3/4	2	55	• 1734514	Top Lock Nut 1/2-13	2
13	• 1100349	Pin, Cotter 1/8 x 3/4	1	56	1734949	Lift Arm Spacer	4
14	1723478	Pin, Hitch	6	57	1734557	Lift Arm Extension	1
15	1862341	Spring, Return	1	58	1734192	Yoke, Cable	1
16	1725334	Washer, Thrust	1	59	• 1186231	Hex Nut 3/8-16	1
17	1734756	Yoke Assembly	1	60	1734193	Lift Cable	1
18	1713501	Pin, Clevis 5/8 x 2-1/8	2	61	1706621	Clevis Pin	1
19	• 1100770	Screw, Hex. Hd. Cap 3/8-16 x 2-3/4	1	62	1730851	Clevis Pin 1/2 x 1-1/4	2
20	• 1733398	Nut, Top Lock 3/8-16	55	EXTENSION (OPTIONAL)			
21	1732018	Shoe Assembly	1	63	1729544	Extension, Hood	1
22	1732441	Pin, Clevis 3/8 x 2-5/8	1	64	1718207	Connector, Ext.	7
23	• 1100243	Washer, Lock 3/8	6	65	• 1186098	Bolt, Rd. Hd. Carriage 5/16-18 x 3/4	18
24	1726864	Shaft	1	66	1186391	Nut, Flange Whiz Lock 5/16-18	18
25	1200033	Key, Hi-Pro	2	67	1718204	Board, Leveling Ext.	1
26	1726865	Coupling	1	68	1718197	Hinge	4
27	1185533	Pin, Drive 1/4 x 1-1/2	2	69	1718199	Pin, Hinge	1
28	1732401	Case Assembly, Gear	1	70	• 1100346	Pin, Cotter 3/32 x 3/4	2
29	1726855	Support, Hood (LH)	1	71	1732481	Extension, Hub Assembly	1
30	1726856	Support, Hood (RH)	1	72	1732053	Pin, Clevis 5/8 x 2	1
31	• 1100048	Screw, Hex. Hd. Cap 3/8-16 x 2	2	73	• 1100350	Pin, Cotter 1/8 x 1	1
32	1731843	Hub Assembly, Tine	2	74	1709388	Tine, L.H. Bend	3
33	1732053	Pin, Clevis 5/8 x 2	2	75	1709387	Tine, R.H. Bend	3
34	• 1100350	Pin, Cotter 1/8 x 1	2	76	• 1100913	Screw, Hex. Hd. Cap 3/8-16 x 7/8	12
35	1709388	Tine, LH Bend	12	77	• 1110108	Nut, Hex. Lock 3/8-16	12
36	1709387	Tine, RH Bend	12	78	1734509	Spacer	1
37	• 1100043	Screw, Hex. Hd. Cap 3/8-16 x 1-1/4	48	79	1734508	Roller	1
38	1723781	Collar, Locking	1	NI	1736796	Spray Paint, Dark Green	
39	1187762	Pin, Groove 3/16 x 1/2	1				
40	1118922	Pin, Groove 3/16 x 1/2	1				
41	1738560	Drive Shaft Assembly	1				
42	1890227	Clevis Pin 3/8 x 1-1/4	1				
43	• 1103437	Set Screw, Hex. Soc. Hd. 1/4-20	1				

• Common Hardware - Purchase Locally - (Grade 5 where applicable)

33 INCH TILLER ATTACHMENT

MODEL 18322

Figure 2.
GEAR CASE ASSEMBLY



Gear
Lubricant:
Approx. 20 oz. Required

REF. NO.	PART NO.	DESCRIPTION	NO. REQ'D.
1	1728829	Seal, Oil.	1
2	1728830	Ret. Ring, Int.	1
3	1100749	Ball Bearing	1
4	1701449	Shim.	AR
5	1718193	Shim.	AR
6	1800751	Shim.	AR
7	1728831	Spacer.	1
8	1726860	Shaft, Worm.	1
9	1185275	Cone, Tapered Roller Bearing	1
10	1185276	Cup, Tapered Roller Bearing	1
11	1733522	Stud, Threaded 3/8-16	4
12	1185630	Seal, Oil.	2
13	1185777	Seal, Oil.	2
14	1732400	Case, Gear	1

REF. NO.	PART NO.	DESCRIPTION	NO. REQ'D.
15	1721442	Valve, Pressure Relief.	1
16	1731808	Plug, Expansion	1
17	1105620	Plug, 1/4-18 NPT.	1
18	1187206	Bearing, Needle	2
19	1720529	Washer, Thrust	2
20	1118816	Ring, Retaining, Ext	2
21	1732396	Gear, Worm	1
22	1732394	Shaft, Tine.	1
23	1186063	Ret., Hi Pro (Type H-F-708)	2
24	1732398	Cover, Gear Case	1
25	● 1100045	Capscrew - 5/16-18 x 3/4	4
26	● 1100242	Washer, Lock - 5/16	4
NI	1722788	Lube, Worm Gear, H.D. 8 oz. Tube	

● Common Hardware - Purchase Locally (Grade 5 where applicable).