

Operator's Manual

TracPac™

For FastAttach™ Compatible Lawn Tractors & Garden Tractors

Model
OEM-190-604

MTD PRODUCTS INC. P.O. BOX 368022 CLEVELAND, OHIO 44136-9722

PRINTED IN U.S.A.

FORM NO. 770-10206A
(7/98)

SECTION 1: TO THE OWNER

The Model 604 TracPac™ is designed for use on FastAttach™ Compatible Lawn Tractors and Garden Tractors only.

NOTE: References to LEFT and RIGHT indicate the left and right sides of the tractor when facing forward in the operator's position. Reference to the FRONT indicates the grille end; to the REAR the drawbar end.

SECTION 2: CONTENTS OF CARTON

Before beginning installation, remove all parts from the carton to make sure everything is present. Carton contents are listed below and shown in Figure 1. Hardware part number are shown in parentheses.

One Plastic Tool Box
One Bracket Assembly w/ Clevis Pin (711-0309A)
& Hairpin Clip (714-0117) in place.

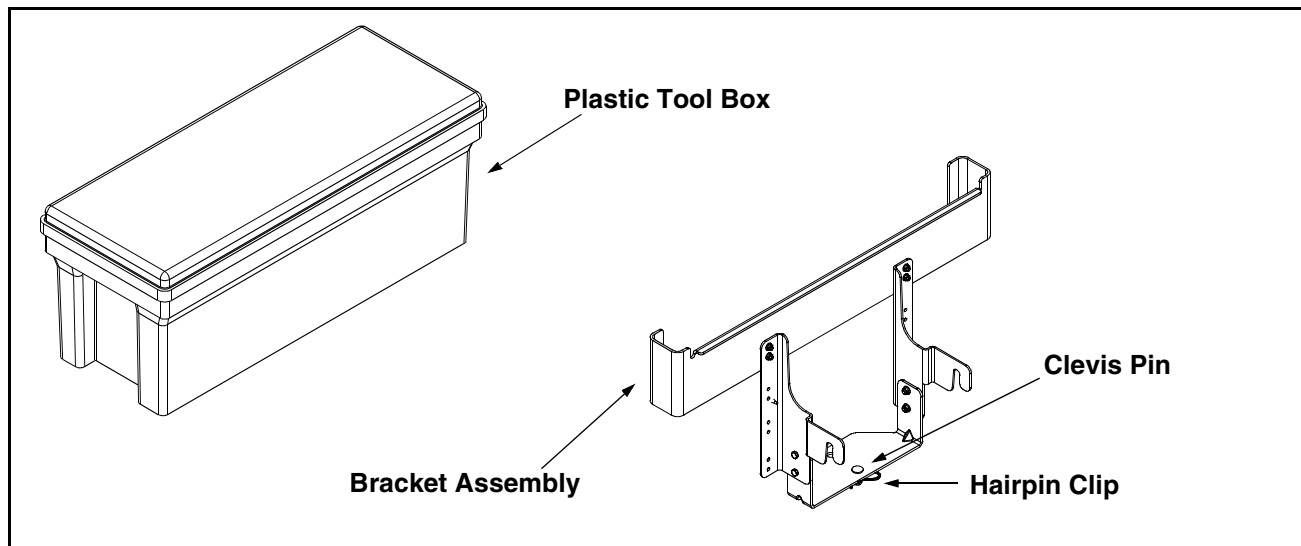


Figure 1

SECTION 3: ASSEMBLY



Warning: Before beginning installation, place the tractor on a firm and level surface. Place the PTO in the disengaged (OFF) position, stop the tractor engine and set the parking brake.

MOUNTING THE BRACKET ASSEMBLY & TOOL BOX

1. Pivot the seat of the tractor seat forward.
2. Remove the hairpin clip and clevis pin from the hole in the rear of the bracket assembly.
3. Position the hooked ends of the bracket assembly to the outside of the hitch plate and over the shoulder bolts. Refer to Figure 2.
4. Reinsert the clevis pin through the aligned holes provided in both the bracket assembly and the hitch plate. Affix with the hairpin clip. Refer to Figure 2.

IMPORTANT: There are two holes found in the clevis pin. Be certain to insert the hairpin clip in the UPPER hole to properly secure the bracket assembly to the hitch plate

5. Slide the plastic tool box down onto the bracket assembly so that the opening of the box is facing the rear of the tractor.

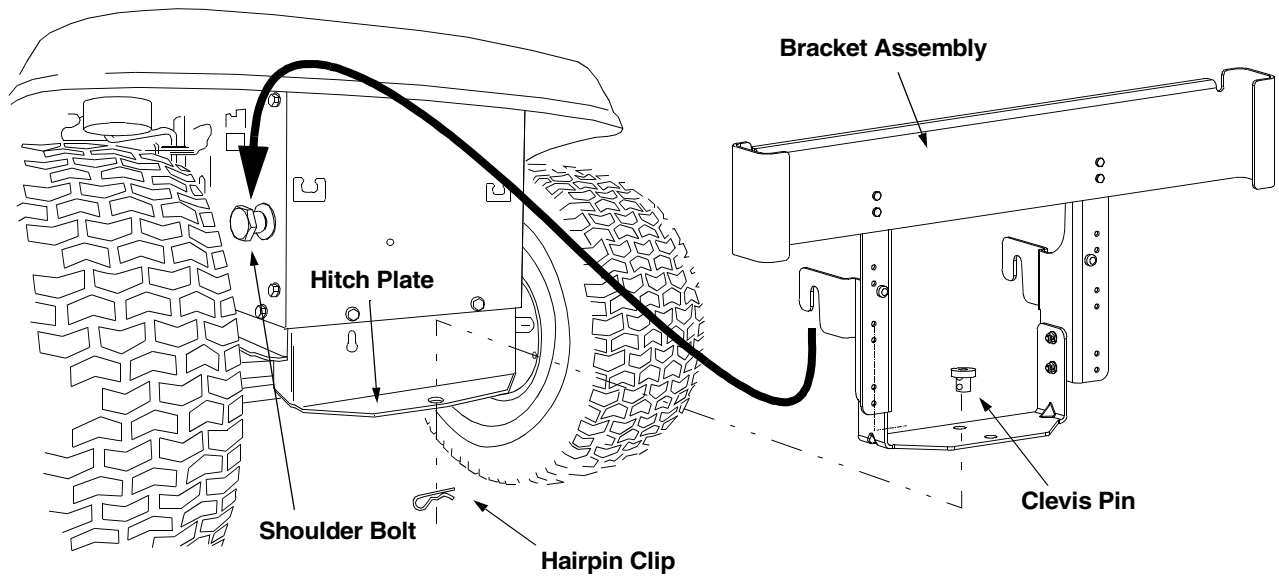
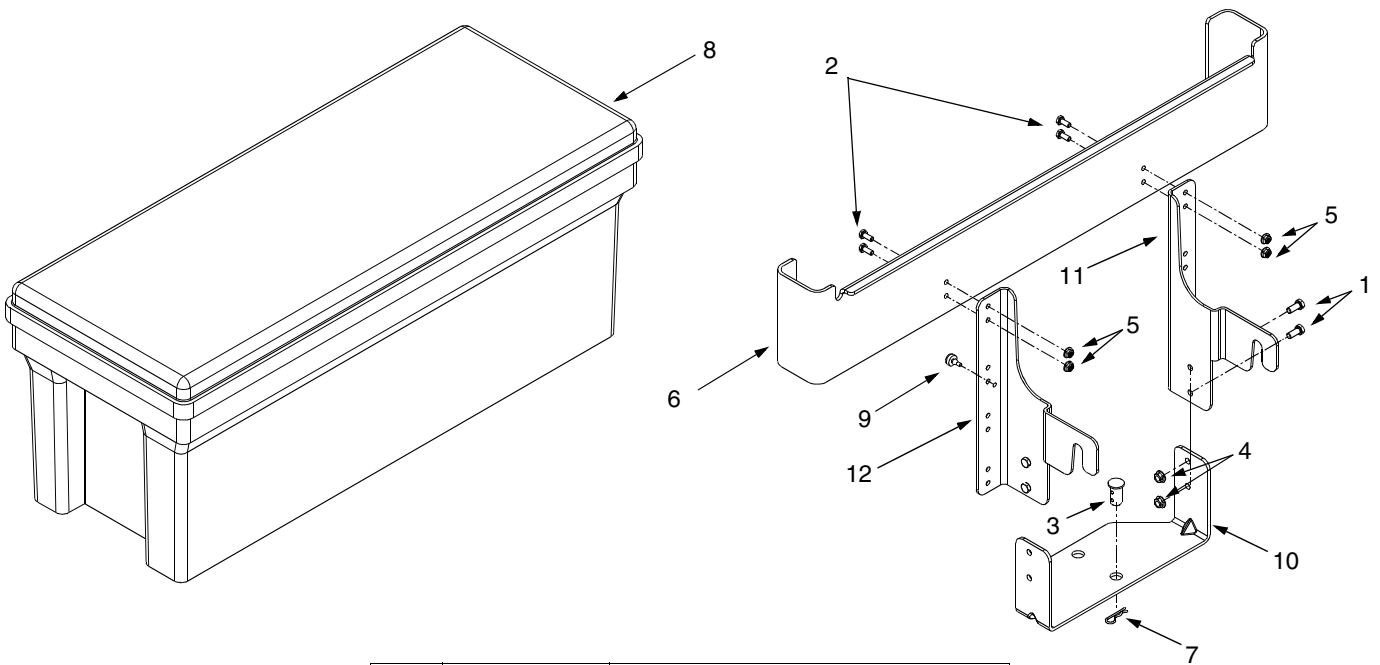


Figure 2

SECTION 4: PARTS LIST



REF. NO.	PART NO.	DESCRIPTION
1	710-3008	Hex Cap Screw, 5/16-18 x .75
2	710-0751	Hex Cap Screw, 1/4-20 x .62
3	711-0309A	Clevis Pin
4	712-3004A	Hex Flange Lock Nut, 5/16-18
5	712-3027	Hex Flange Lock Nut, 1/4-20
6	783-0777	Tool Box Support Bracket
7	714-0117	Internal Cotter Pin, .148 x 3
8	731-2110	Plastic Tool Box
9	735-0271	Bumper, .62 Dia. x .3
10	783-0765	Cross Support Bracket
11	783-0764	LH Support Bracket
12	783-0673	RH Support Bracket

MANUFACTURER'S LIMITED WARRANTY

The limited warranty set forth below is given by MTD PRODUCTS INC ("MTD") with respect to new merchandise purchased and used in the United States, its possessions and territories.

MTD warrants this product against defects in material and workmanship for a period of two (2) years commencing on the date of original purchase and will, at its option, repair or replace, free of charge, any part found to be defective in material or workmanship. This limited warranty shall only apply if this product has been operated and maintained in accordance with the Operator's Manual furnished with the product, and has not been subject to misuse, abuse, commercial use, neglect, accident, improper maintenance, alteration, vandalism, theft, fire, water or damage because of other peril or natural disaster. Damage resulting from the installation or use of any accessory or attachment not approved by MTD Products Inc. for use with the product(s) covered by this manual will void your warranty as to any resulting damages.

Normal wear parts or components thereof are subject to separate terms as follows: All normal wear part or component failures will be covered on the product for a period of 90 days regardless of cause. After 90 days, but within the two year period, normal wear part failures will be covered ONLY IF caused by defects in material or workmanship of OTHER component parts. Normal wear parts and components include, but are not limited to, belts, blades, blade adapters, grass bags, rider deck wheels, seats, snow thrower skid shoes, shave plates and tires. Batteries are covered by a 90-day limited replacement warranty.

HOW TO OBTAIN SERVICE: Warranty service is available, WITH PROOF OF PURCHASE THROUGH YOUR LOCAL AUTHORIZED SERVICE DEALER. To locate the dealer in your area, please check for a listing in the Yellow Pages or contact the Customer Service Department of MTD PRODUCTS INC by calling 1-800-800-7310 or writing to P.O. Box 368022, Cleveland, Ohio 44136-9722.

This limited warranty does not provide coverage in the following cases:

- a. The engine or component parts thereof. These items carry a separate manufacturer's warranty. Please refer to the applicable manufacturer's warranty on these items.
- b. Log splitter pumps, valves and cylinders have a separate one year warranty.

- c. Routine maintenance items such as lubricants, filters, blade sharpening and tune-ups, or adjustments such as brake adjustments, clutch adjustments or deck adjustments; and normal deterioration of the exterior finish due to use or exposure.
- d. MTD does not extend any warranty for products sold or exported outside of the United States of America, its possessions and territories, except those sold through MTD's authorized channels of export distribution.

No implied warranty, including any implied warranty of merchantability or fitness for a particular purpose, applies after the applicable period of express written warranty above as to the parts as identified. No other express warranty or guaranty, whether written or oral, except as mentioned above, given by any person or entity, including a dealer or retailer, with respect to any product shall bind MTD. During the period of the Warranty, the exclusive remedy is repair or replacement of the product as set forth above. (Some states do not allow limitations on how long an implied warranty lasts, so the above limitation may not apply to you.)

The provisions as set forth in this Warranty provide the sole and exclusive remedy arising from the sales. MTD shall not be liable for incidental or consequential loss or damages including, without limitation, expenses incurred for substitute or replacement lawn care services, for transportation or for related expenses, or for rental expenses to temporarily replace a warranted product. (Some states do not allow the exclusion or limitation of incidental or consequential damages, so the above exclusion or limitation may not apply to you.)

In no event shall recovery of any kind be greater than the amount of the purchase price of the product sold. Alteration of the safety features of the product shall void this Warranty. You assume the risk and liability for loss, damage, or injury to you and your property and/or to others and their property arising out of the use or misuse or inability to use the product.

This limited warranty shall not extend to anyone other than the original purchaser, original lessee or the person for whom it was purchased as a gift.

How State Law Relates to this Warranty: This limited warranty gives you specific legal rights, and you may also have other rights which vary from state to state.