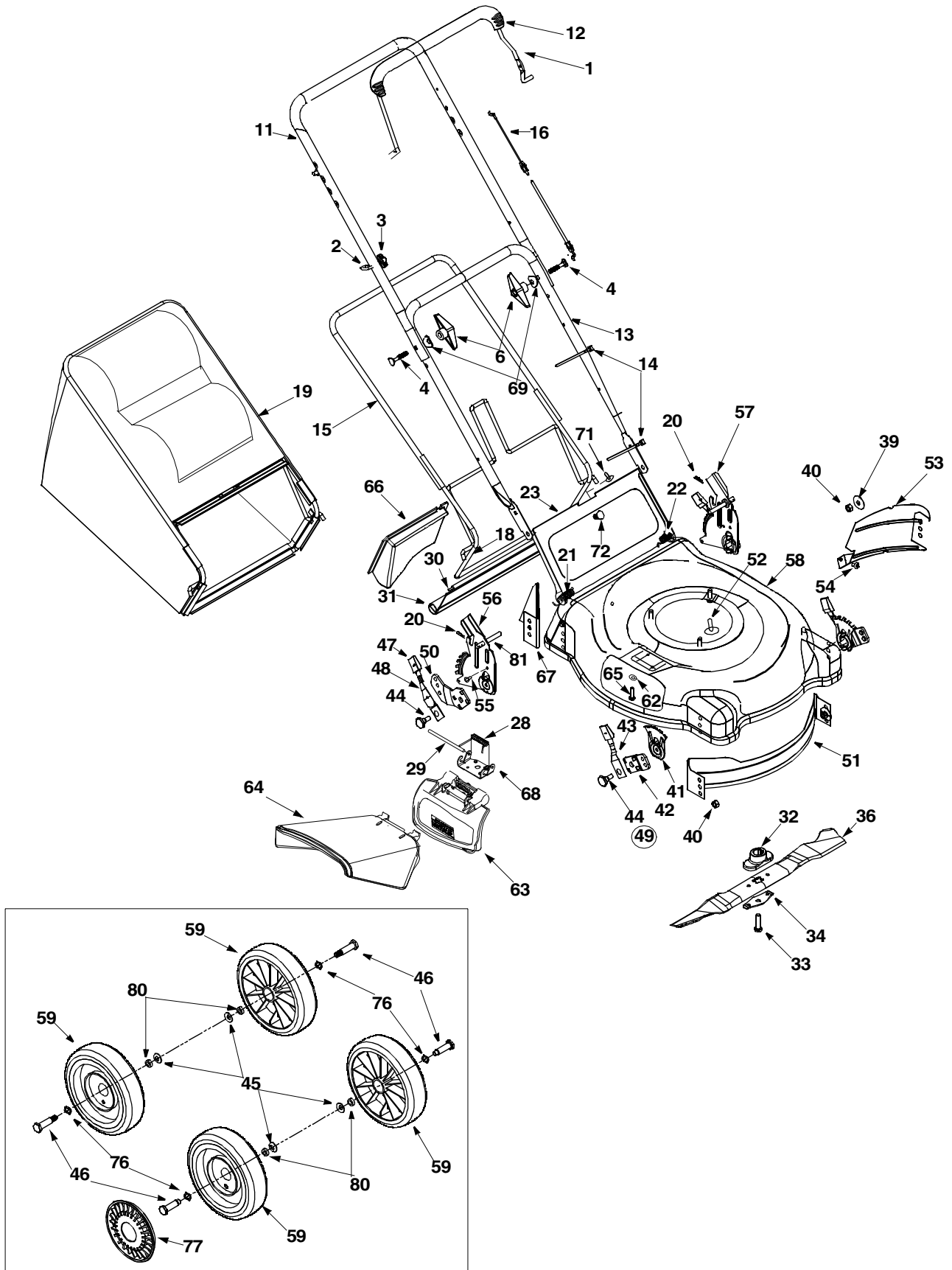


PARTS LIST FOR MODEL 11A-436N



Model 436

Ref. No	Part No.	Description	Ref. No	Part No.	Description
1	747-1161A	Control Handle	46	738-0213	Axle Bolt
2	710-1205	Rope Guide	47	720-0426	Spring Lever Knob
3	720-0279	Handle Knob 1/4-20 Thd.	48	732-0404	Rear Spring Lever
4	710-1174	Curved Hd. Bolt 5/16-18 x 2"	49	14578	Height Adj. Assy. Comp. - RH
6	720-0284	Hand Knob		14579	Height Adj. Assy. Comp. - LH ‡
11	749-1092A	Upper Handle	50	14765	Pivot Bar R.H.
12	731-2626	Bail Cover	N/I	14766	Pivot Bar L.H.
13	749-0928	Lower Handle	51	782-5002	Front Baffle
14	726-0240	Cable Tie	52	710-0654A	Hex L-Wash.Scr. 3/8-16 x 1"
15	764-0310	Rear Catcher Frame	53	782-5003	Rear Baffle
16	746-1130	Control Cable - 40"	54	710-1017	Torx Mach AB-Tap Scr. 1/4 x .62"
18	764-0311	Front Catcher Frame	55	710-0896	HexIndWash. Scr. 1/4-14: .625
19	664-0176	Grass Bag Assembly: Half Sail	56	682-0516A	Handle Brkt. Ass'y.—RH
20	714-0104	Int. Cotter Pin 5/16" Dia.	57	682-0515A	Handle Brkt. Ass'y.—LH
21	732-0678	Door Spring - R.H.	58	782-0047A	Cutting Deck
22	732-0677	Door Spring - L.H.	59	734-2004A	Wheel
23	782-7000	Rear Discharge Door	62	736-0270	Bell Washer 1/4" I.D.
28	732-0731	Torsion Spring	63	731-1404A	Hinged Mulching Plug
29	747-0710	Hinge Pin	64	731-1409	Chute Deflector: Side Discharge
30	732-0700	Wire Rod	65	710-0599	Hex Hd Self-Tp Scr. 1/4-20 x .5"
31	731-1236	Rear Flap	66	782-5007A	Mulching Baffle Plug
32	753-0588	Blade Adapter (Kit includes 32-34)	67	782-5004	Mulching Baffle - R.R.
	748-0376C	Blade Adapter	68	782-7006	Mounting Bracket
33	710-1044	Hex Bolt 3/8-24 x 1.5" Lg.	69	736-0451	Saddle Washer
34	736-0524A	Blade Bell Support	71	710-0192	Truss Scr. #10-24 x .38" Lg.
36	742-0741	21" Mulching Blade	72	720-0275	Knob
40	712-0431	Flange Nut 3/8-16 Thd.*	76	736-0504	Wave Washer
41	15261A	Height Adj. Plate	77	731-0981A	Hub Cap:Grey
42	15262B	Pivot Bar	80	750-0535	Spacer
43	14832	Front Spring Lever Ass'y. w/Knob	81	710-1248	Weld Pin
44	738-0507B	Shld. Bolt .5" Dia. x .357"	—	735-0639	Spark Plug Boot ‡
45	736-0105	Bell Washer .38" I.D. x .88" O.D.			

‡ Not shown

Safety & Decorative Labels 436

