

REF. NO.	PART NO.	DESCRIPTION	NO. REQ'D.
1	1733901	Hitch Assembly.	1
2	1107386	● Washer, Flat 5/8.	10
3	1186233	● Nut, Hex. 1/2-13.	2
4	1723478	Pin, Hitch	2

REF. NO.	PART NO.	DESCRIPTION	NO. REQ'D.
5	1724639	Pin, Clevis 5/8 x 1-1/2.	2
6	1730809	Pin, Hitch	1
7	1731147	Plate, Stabilizer.	1
8	1731412	● Screw, Hex. Hd. Cap 1/2-13x2	2

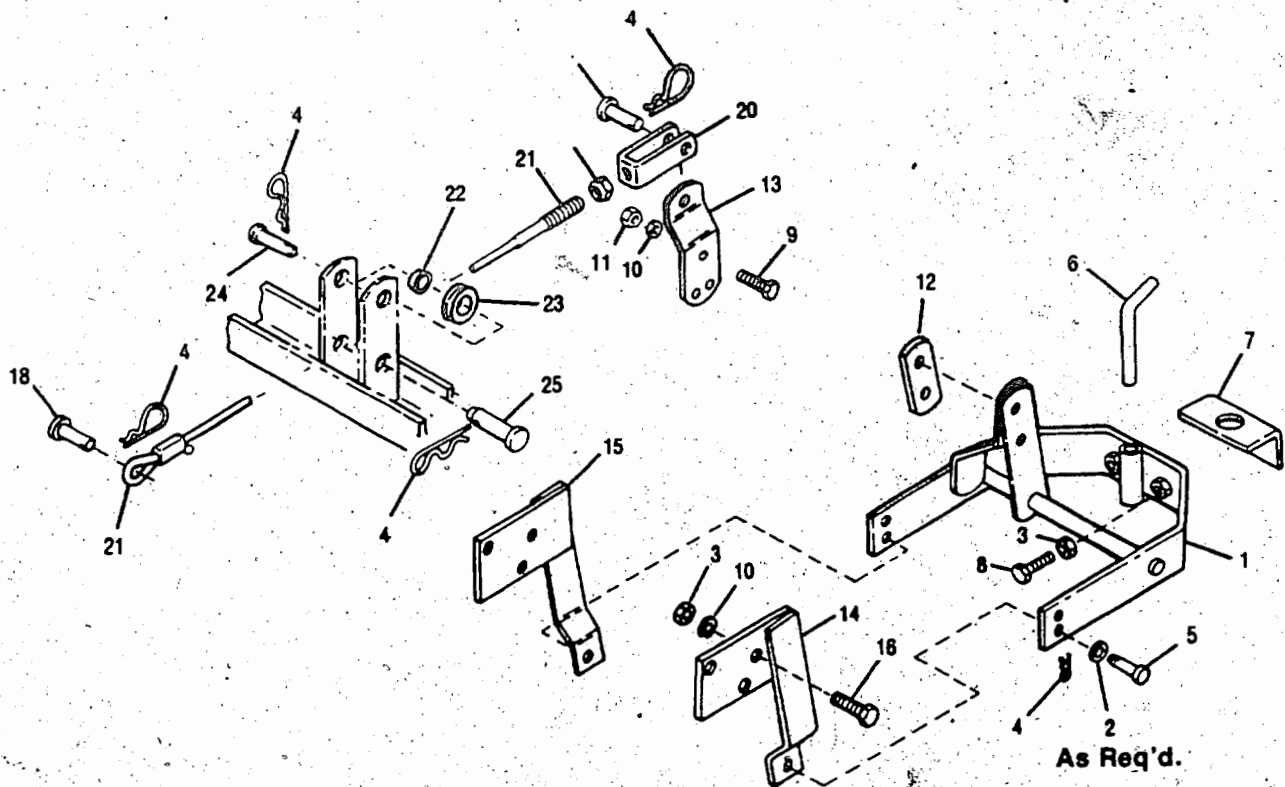
● Common Hardware - Purchase Locally (Grade 5 where applicable).

Figure 1 MODEL 18330.

Bolens

Sleeve Hitch Kit Parts List

Model 18330-03



REF. NO.	PART NO.	DESCRIPTION	NO. REQ'D
1	1734952	Hitch Assembly	1
2	• 1107386	Washer, Flat 5/8	10
3	• 11862323	Nut, Hex, 1/2-13	8
4	1723478	Pin, Hitch	6
5	1724639	Pin, Clevis 5/8 x 1-1/2	2
6	1730809	Pin, Hitch	1
7	1731147	Plate, Stabilizer	1
8	• 1731412	Screw, Hex. Hed. Cap 1/2-13 x 2	2
9	1100080	Hex. Screw 1/2-13 x 2-3/4	2
10	1100245	Lock Washer 1/2	8
11	1734514	Hex. Lock Nut 1/2-13	2
12	1734949	Lift Arm Spacer	3
13	1734557	Lift Arm	1

REF. NO.	PART NO.	DESCRIPTION	NO. REQ'D
14	1733854	Arm Assembly, Hitch LH	1
15	1733855	Arm Assembly, Hitch RH	1
16	• 1100055	Secrew, Hex. Hd. 1/2-13 x 1-1/4	6
17	• 1186231	Nut, Hex 3/8-16	1
18	1706621	Pin, Clevis 1/2 x 2-3/4	1
19	1730851	Pin, Clevis 1/2 x 1-1/4	1
20	1734192	Bracket	1
21	1734193	Cable, Lift	1
22	1734509	Spacer	1
23	1754508	Roller	1
24	1890227	Clevis Pin	1
25	1730851	Clevis Pin	1

* Common Hardware - Purchase Locally (Grade 5 where applicable)