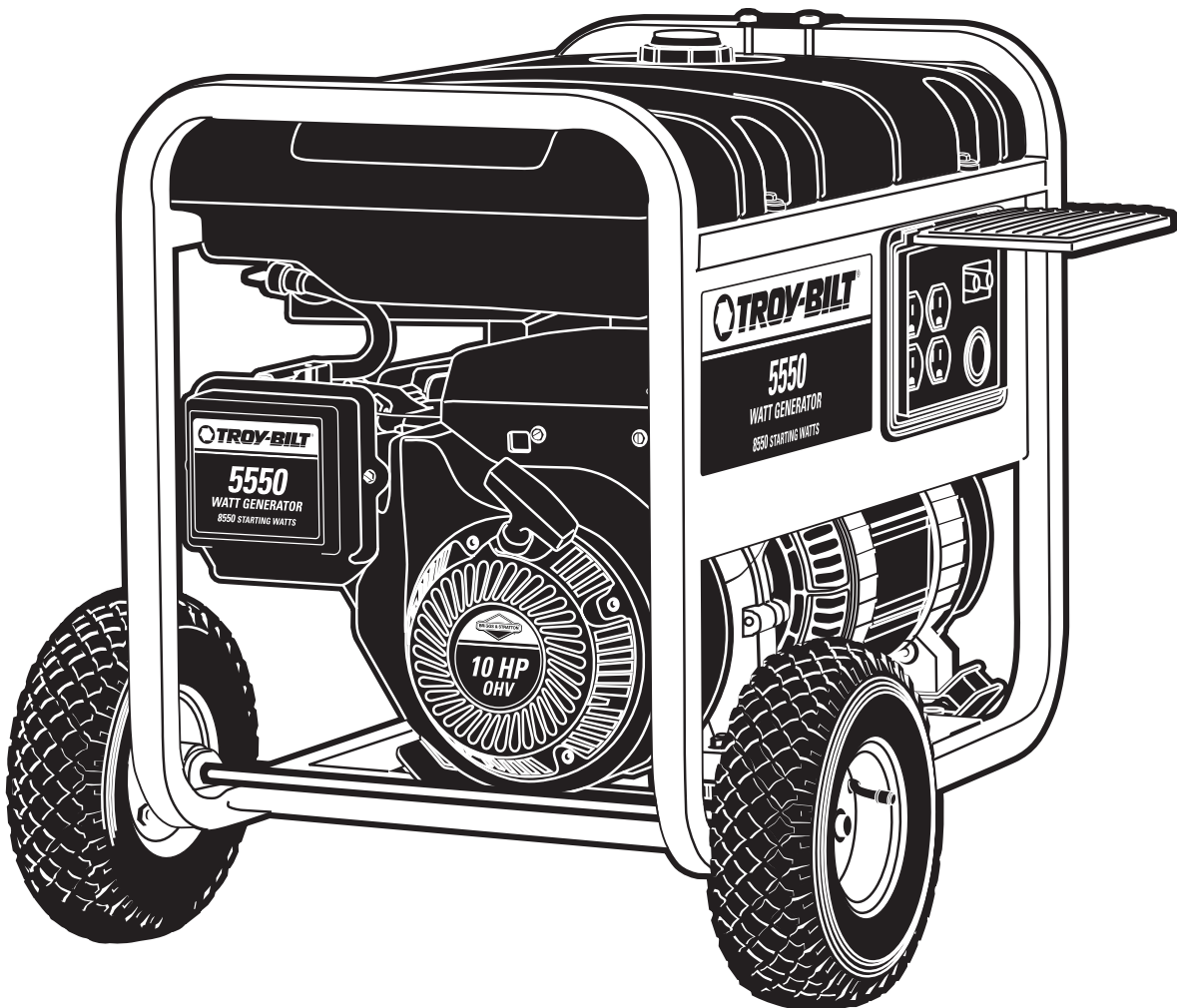




Illustrated Parts List

Portable Generator
Model 01919



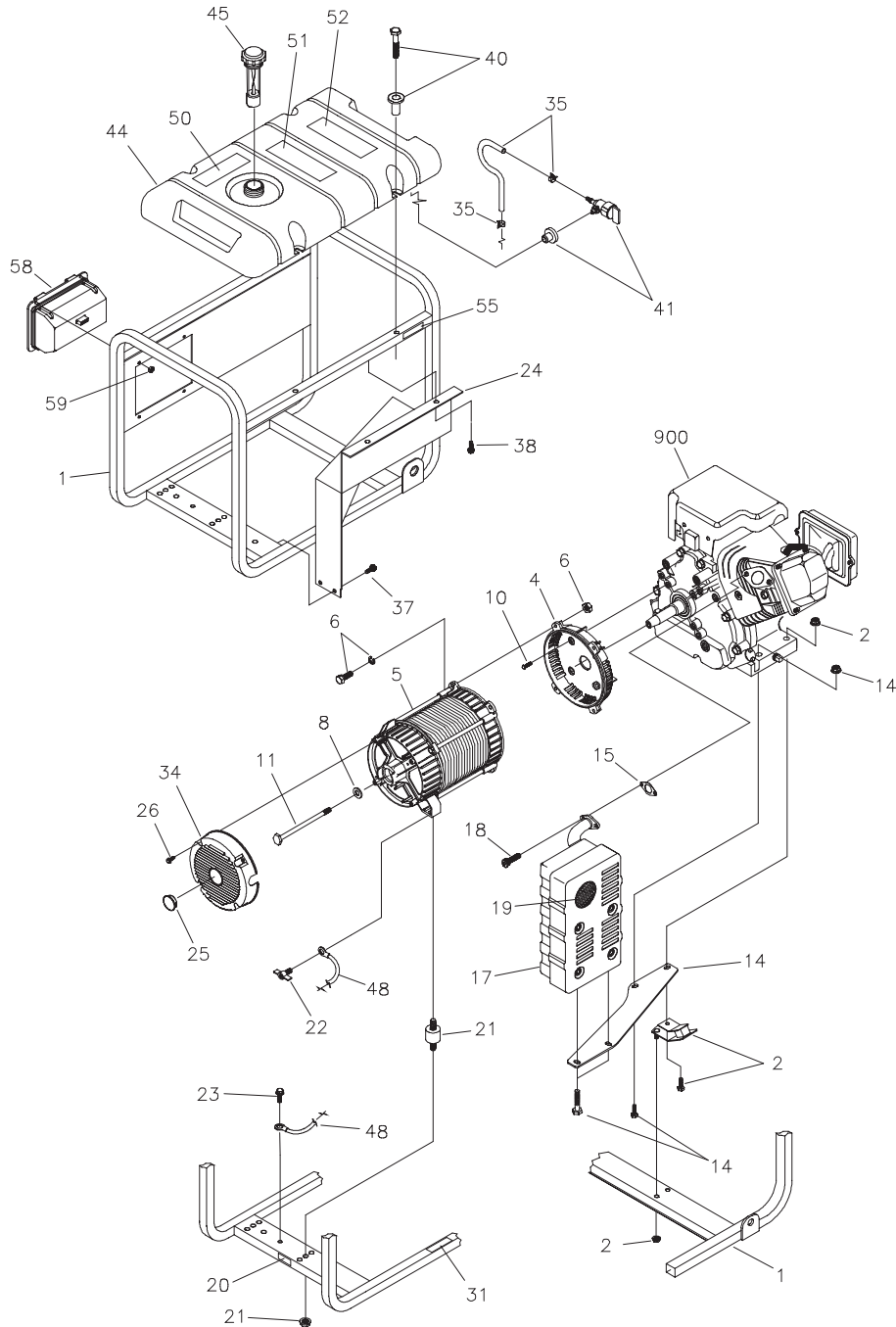
Troy-Bilt® is a registered trademark of Troy-Bilt, LLC and is used under license to Briggs & Stratton Power Products.

Troy-Bilt® es una marca registrada de Troy-Bilt, LLC y se usa abajo licencia a Briggs & Stratton Power Products.

BRIGGS & STRATTON POWER PRODUCTS GROUP, LLC
JEFFERSON, WISCONSIN, U.S.A.

Exploded Views and Parts Lists

EXPLODED VIEW - MAIN UNIT



Copyright © 2005 Briggs & Stratton Power Products Group, LLC. All rights reserved. No part of this material may be reproduced or transmitted in any form by any means without the express written permission of Briggs & Stratton Power Products Group, LLC.

Section 1: Exploded Views and Parts Lists

PARTS LIST - MAIN UNIT

Item	Part #	Description
1	P194766GS	CRADLE
2	194150GS	KIT,Vibration, Mount, 45°
4	190220GS	HOUSING, Engine Adapter
5	NSP	ASSY,Alternator (see page 5)
6	194151GS	KIT, Hrdwr Mounting Adapter
8	96796GS	WASHER, M8 Flat
10	*	SBHCS, 3/8-16 x 1.0 Lg.
11	187365FGS	HHCS, 5/16-24 x 7.44
14	194729GS	KIT, Muffler Bracket w/ Hardware
15	695398	GASKET, Exhaust
17	189008GS	MUFFLER
18	*	SCREW, 5/16 - 18 x 3/4"
19	83083GS	SCREEN, Spark Arrest
20	B4986GS	DECAL, Ground, Green
21	194153GS	KIT,Vibration Mount
22	86494GS	SCREW,Wing M6 - 1.0 x 16
23	86292GS	SCREW, 10 - 16 x 3/4, Self Drill
24	192794GS	SHIELD, Heat
25	191190GS	CAP
26	74908GS	SCREW, M5-0.8 x 10, Taptite
31	191436GS	DECAL, Hot Muffler
34	195422GS	COVER, Bearing Carrier
35	194397GS	KIT, Fuel Hose, Formed w/ Clamps
37	192376GS	SCREW, 12-24 x 1/2 Thrd forming
38	56893GS	CRIMPTITE, 10 - 24 x 1/2
40	194398GS	KIT, Fuel Tank Hardware
41	192980GS	KIT,Valve, Fuel Tank
44	193668GS	ASSY, Tank, Fuel (Includes Items 41, 50, 51 & 52)
45	B4363GS	CAP, Fuel Gauge
48	195373GS	WIRE, Ground
50	188333GS	DECAL, Gas Fill
51	194799GS	DECAL, Danger
52	189235GS	DECAL, Start Instructions
55	191435GS	DECAL, Shut-Off, Fuel
58	190355GS	ASSY, Control Panel (see page 4)
59	*	NUT, Palnut, 3/16"
900	§	ENGINE

Parts Not Illustrated

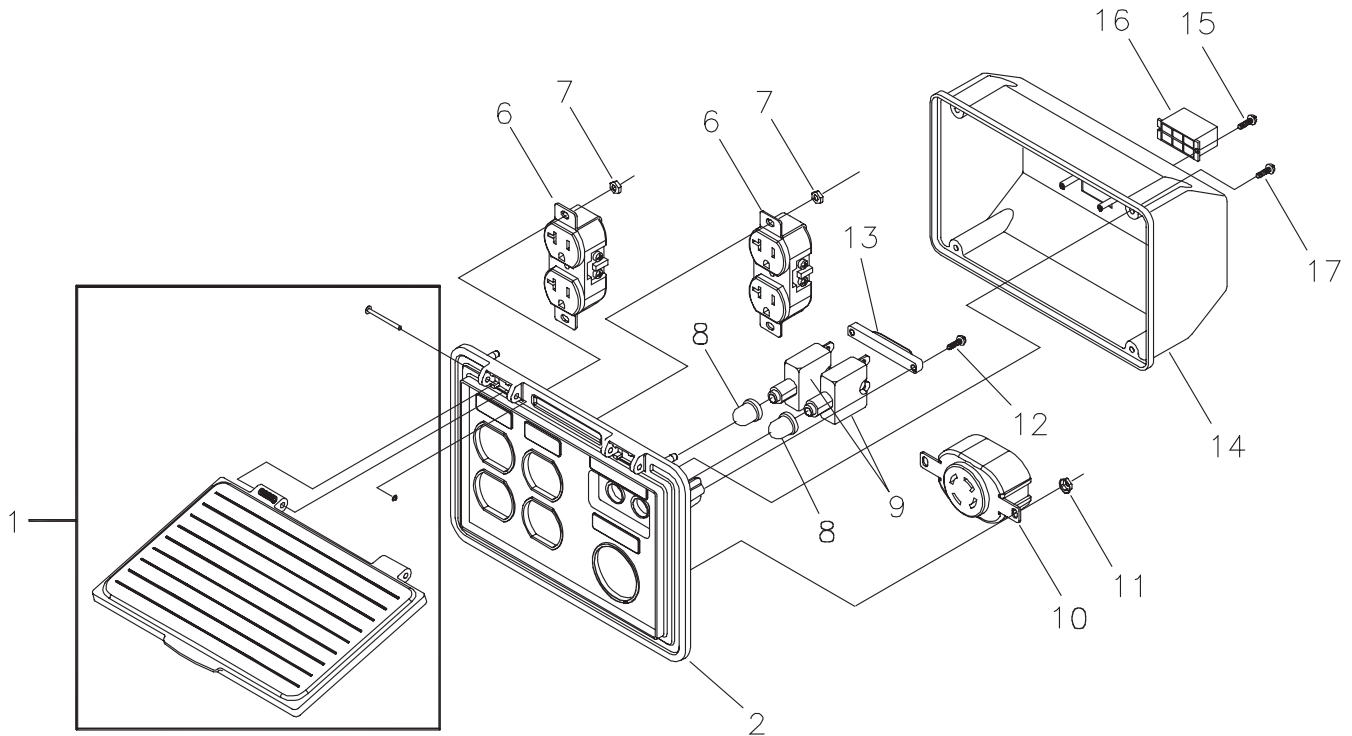
MS5242	MANUAL, Engine
192258GS	MANUAL, Owners
BB3061GS	BOTTLE, Oil
188971GS	CORD, Extension, 120/240V, 30A
193667GS	KIT, Decals

* - Items shown without part numbers are common fasteners found at your local hardware store.

§ - Contact Engine Manufacturer

Section 1: Exploded Views and Parts Lists

CONTROL PANEL EXPLODED VIEW & PARTS LIST

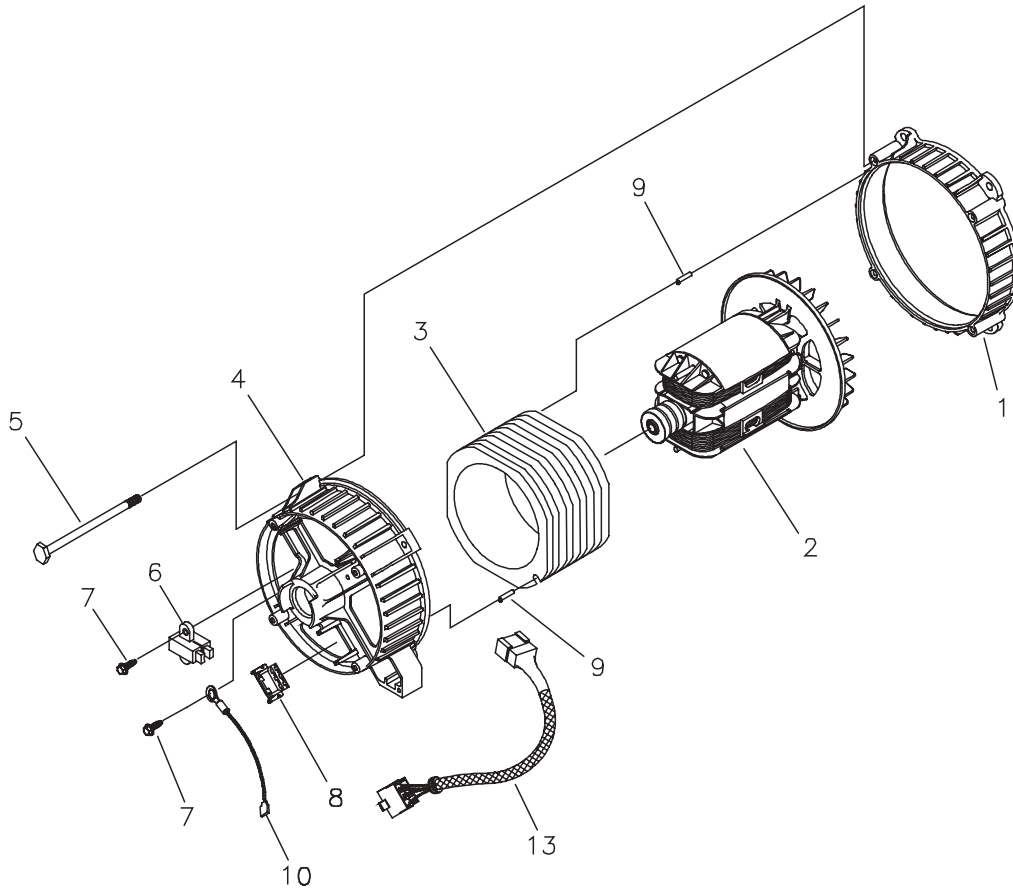


Item	Part #	Description
1	195112GS	KIT, Control Panel Lid
2	188889GS	CONTROL PANEL, Compact
6	68759GS	OUTLET, 120V, 20Amp, Duplex
7	*	NUT, Palnut, Pushnut, 5/32
8	84198GS	CAP, Circuit Breaker
9	75207GS	BREAKER, Circuit
10	43437GS	OUTLET, 120/240V Locking, 30A
11	*	NUT, Palnut, Pushnut, 3/16
12	*	SCREW, Phillips, Head 3.5 x 18
13	93857GS	BAR, Retaining
14	188890GS	COVER, Back, Control Panel
15	82308GS	SCREW, Self Tapping, STC 3 x 18
16	22694GS	HOUSING, Receptacle
17	*	SCREW, Phillips, 3.5 x 14

* - Items shown without part numbers are common fasteners found at your local hardware store.

Section 1: Exploded Views and Parts Lists

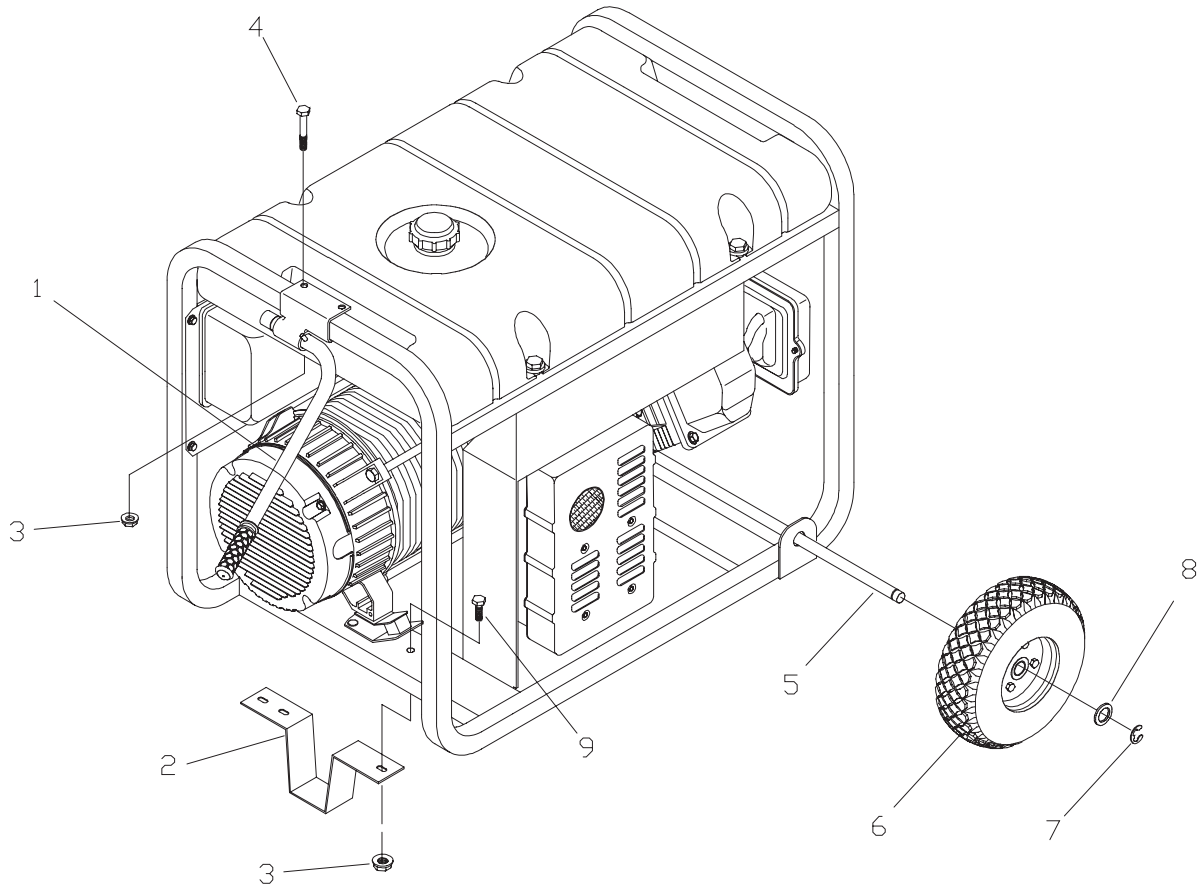
ALTERNATOR EXPLODED VIEW AND PARTS LIST



Item	Part #	Description
1	186059GS	ADAPTER, Mounting, Alternator
2	190032GS	ROTOR
3	190079AGS	STATOR
4	186060GS	RBC, with O-Ring (p/n 189197GS)
5	86308HGS	HHCS, M6 - 1.0 x 140 SEMS
6	91825GS	ASSY, Holder, Rectifier/Brush
7	66849GS	TAPTITE, M5 - 0.8 x 16
8	22694GS	RECEPTACLE, 6 pin
9	81917GS	PIN, Roll, 4mm x 10
10	193428AGS	ASSY, Wire, Ground
13	194274GS	HARNESS, Wire, Power

Section 1: Exploded Views and Parts Lists

WHEEL KIT EXPLODED VIEW AND PARTS LIST



Item	Part #	Description
1	189715GS	ASSY, Handle
2	B1764GS	LEG, Mounting
3	52858GS	NUT, Locking Hex M8 - 1.25
4	*	HHCS, M8 - 1.25 x 45
5	191267HGS	AXLE, 5/8" x 22.87"
6	B4966GS	WHEEL
7	191265GS	E-RING
8	*	WASHER, Flat 5/8
9	*	HHCS, M8 - 1.25 x 16

Parts Not Illustrated

189718GS	GRIP
189716GS	CAP, Handle End

* - Items shown without part numbers are common fasteners found at your local hardware store.