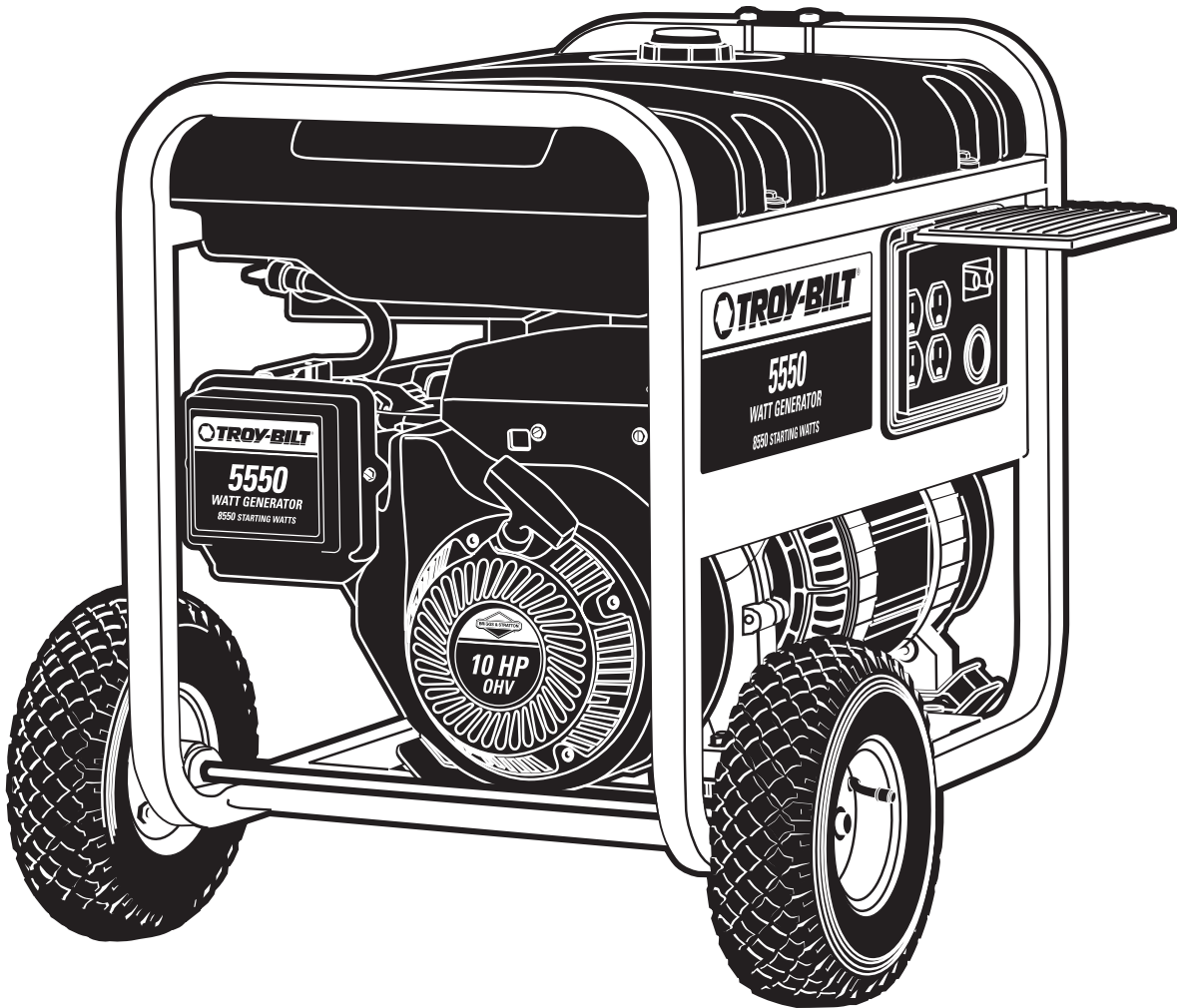




Illustrated Parts List

Portable Generator
Model 01919-1



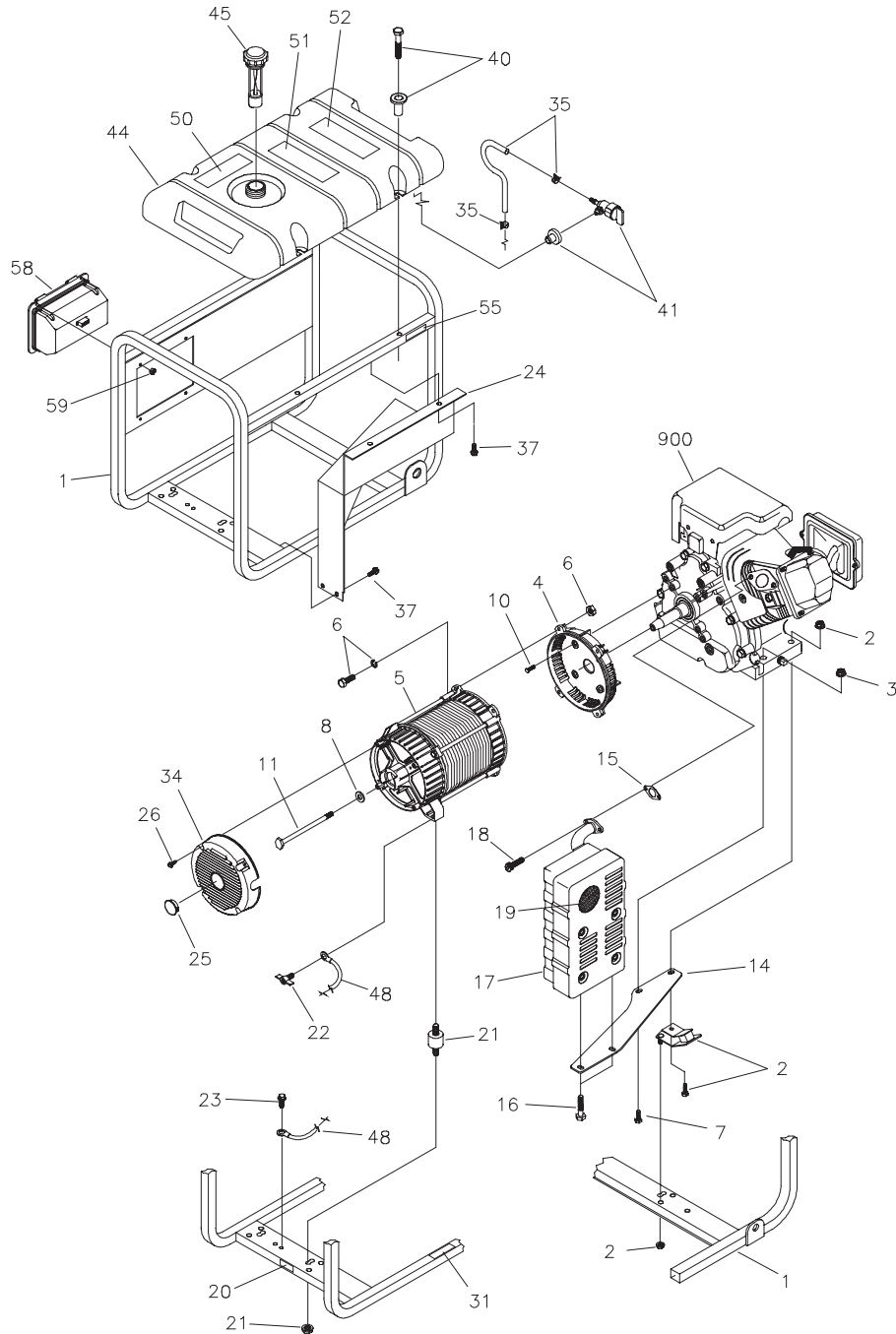
Troy-Bilt® is a registered trademark of Troy-Bilt, LLC and is used under license to Briggs & Stratton Power Products.

Troy-Bilt® es una marca registrada de Troy-Bilt, LLC y se usa abajo licencia a Briggs & Stratton Power Products.

BRIGGS & STRATTON POWER PRODUCTS GROUP, LLC
JEFFERSON, WISCONSIN, U.S.A.

Exploded Views and Parts Lists

EXPLODED VIEW - MAIN UNIT



Copyright © 2005 Briggs & Stratton Power Products Group, LLC. All rights reserved. No part of this material may be reproduced or transmitted in any form by any means without the express written permission of Briggs & Stratton Power Products Group, LLC.

Section 1: Exploded Views and Parts Lists

PARTS LIST - MAIN UNIT

Item	Part #	Description	Item	Part #	Description
1	P197628GS	CRADLE	37	192376GS	SCREW, 12-24 x 1/2 Thrd forming
2	197564GS	KIT,Vibration, Mount, 45°	40	194398GS	KIT, Fuel Tank Hardware
3	67989GS	NUT, M8 Flange Serrated	41	192980GS	KIT, Valve, Fuel Tank
4	190220GS	HOUSING, Engine Adapter	44	193668GS	ASSY, Tank, Fuel (Includes Items 41, 50, 51 & 52)
5	NSP	ASSY, Alternator (see page 5)	45	B4363GS	CAP, Fuel Gauge
6	194151GS	KIT, Hrdwr Mounting Adapter	48	195373GS	WIRE, Ground
7	*	PPHMS, M8 - 1.25 x 40	50	188333GS	DECAL, Gas Fill
8	96796GS	WASHER, M8 Flat	51	194799GS	DECAL, Danger
10	*	SBHCS, 3/8-16 x 1.0 Lg.	52	189235GS	DECAL, Start Instructions
11	47480GS	HHCS, 5/16-24 x 7	55	191435GS	DECAL, Shut-Off, Fuel
14	189009GS	BRACKET, Muffler	58	190355GS	ASSY, Control Panel (see page 4)
15	695398	GASKET, Exhaust	59	*	NUT, Palnut, 3/16"
16	*	HHCS, M6 - 1.0 x 12 w/LW	900	§	ENGINE
17	189008GS	MUFFLER			
18	*	SCREW, 5/16 - 18 x 3/4"			
19	83083GS	SCREEN, Spark Arrest			
20	B4986GS	DECAL, Ground, Green			
21	194153GS	KIT,Vibration Mount			
22	86494GS	SCREW,Wing M6 - 1.0 x 16			
23	86292GS	SCREW, 10 - 16 x 3/4, Self Drill			
24	192794GS	SHIELD, Heat			
25	191190GS	CAP			
26	74908GS	SCREW, M5-0.8 x 10, Taptite			
31	196830GS	DECAL, Hot Muffler			
34	195422GS	COVER, Bearing Carrier			
35	194397GS	KIT, Fuel Hose, Formed w/ Clamps			

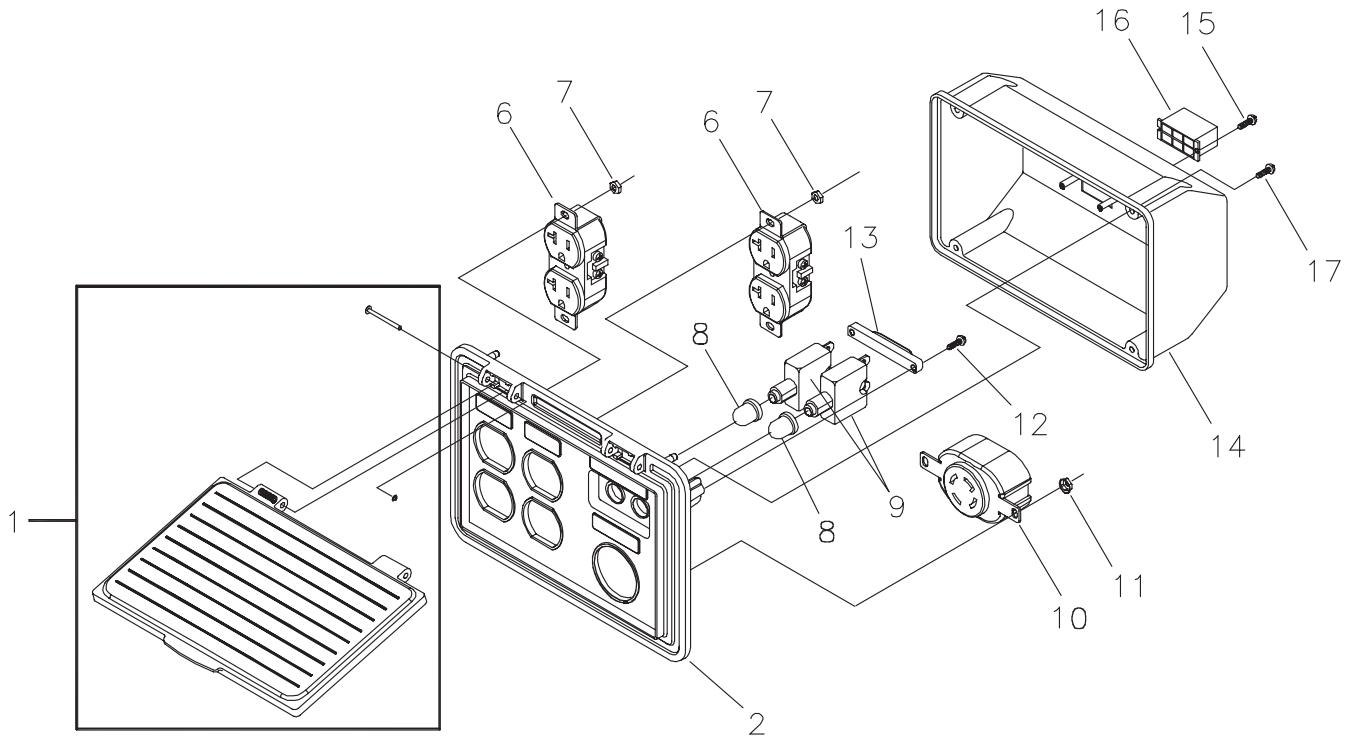
Parts Not Illustrated	
MS5242	MANUAL, Engine
197126GS	MANUAL, Owners
BB3061GS	BOTTLE, Oil
188971GS	CORD, Extension, 120/240V, 30A
197266GS	DECAL, Ratings Label
193667GS	KIT, Decals

* - Items shown without part numbers are common fasteners found at your local hardware store.

§ - Contact Engine Manufacturer

Section 1: Exploded Views and Parts Lists

CONTROL PANEL EXPLODED VIEW & PARTS LIST

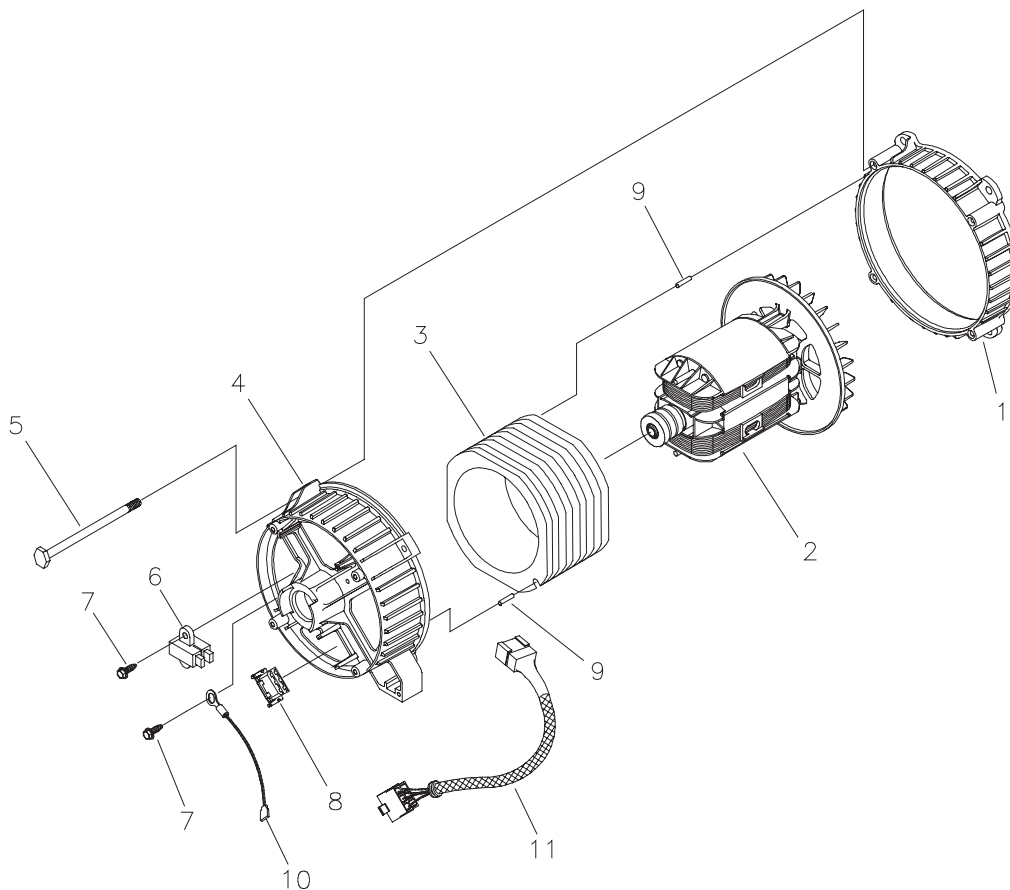


Item	Part #	Description
1	195112GS	KIT, Control Panel Lid
2	188889GS	CONTROL PANEL, Compact
6	68759GS	OUTLET, 120V, 20Amp, Duplex
7	*	NUT, Palnut, Pushnut, 5/32
8	84198GS	CAP, Circuit Breaker
9	75207GS	BREAKER, Circuit
10	43437GS	OUTLET, 120/240V Locking, 30A
11	*	NUT, Palnut, Pushnut, 3/16
12	*	SCREW, Phillips, Head 3.5 x 18
13	93857GS	BAR, Retaining
14	188890GS	COVER, Back, Control Panel
15	82308GS	SCREW, Self Tapping, STC 3 x 18
16	22694GS	HOUSING, Receptacle
17	*	SCREW, Phillips, 3.5 x 14

* - Items shown without part numbers are common fasteners found at your local hardware store.

Section 1: Exploded Views and Parts Lists

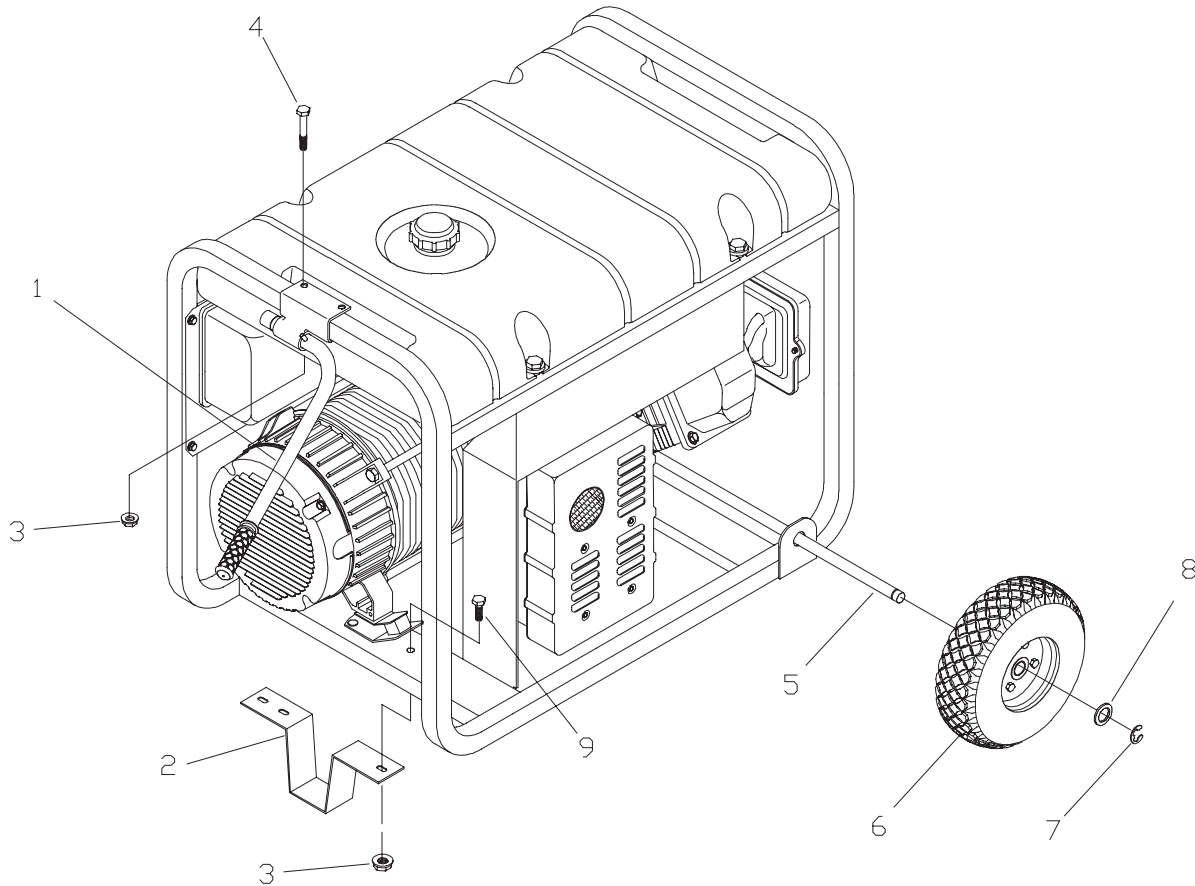
ALTERNATOR EXPLODED VIEW AND PARTS LIST



Item	Part #	Description
1	186059GS	ADAPTER, Mounting, Alternator
2	191043GS	ROTOR
3	191042AGS	STATOR
4	186060GS	RBC, with O-Ring (p/n 189197GS)
5	86308CGS	HHCS, M6 - 1.0 x 130 SEMS
6	91825GS	ASSY, Holder, Rectifier/Brush
7	66849GS	TAPTITE, M5 - 0.8 x 16
8	22694GS	RECEPTACLE, 6 pin
9	81917GS	PIN, Roll, 4mm x 10
10	193428AGS	ASSY, Wire, Ground
11	194274GS	HARNESS, Wire, Power

Section 1: Exploded Views and Parts Lists

WHEEL KIT EXPLODED VIEW AND PARTS LIST



Item	Part #	Description
1	189715GS	ASSY, Handle
2	B1764GS	LEG, Mounting
3	52858GS	NUT, Locking Hex M8 - 1.25
4	*	HHCS, M8 - 1.25 x 45
5	191267HGS	AXLE, 5/8" x 22.87"
6	B4966GS	WHEEL
7	191265GS	E-RING
8	*	WASHER, Flat 5/8
9	*	HHCS, M8 - 1.25 x 16

Parts Not Illustrated

189718GS	GRIP
189716GS	CAP, Handle End

* - Items shown without part numbers are common fasteners found at your local hardware store.