
Bolens[®]

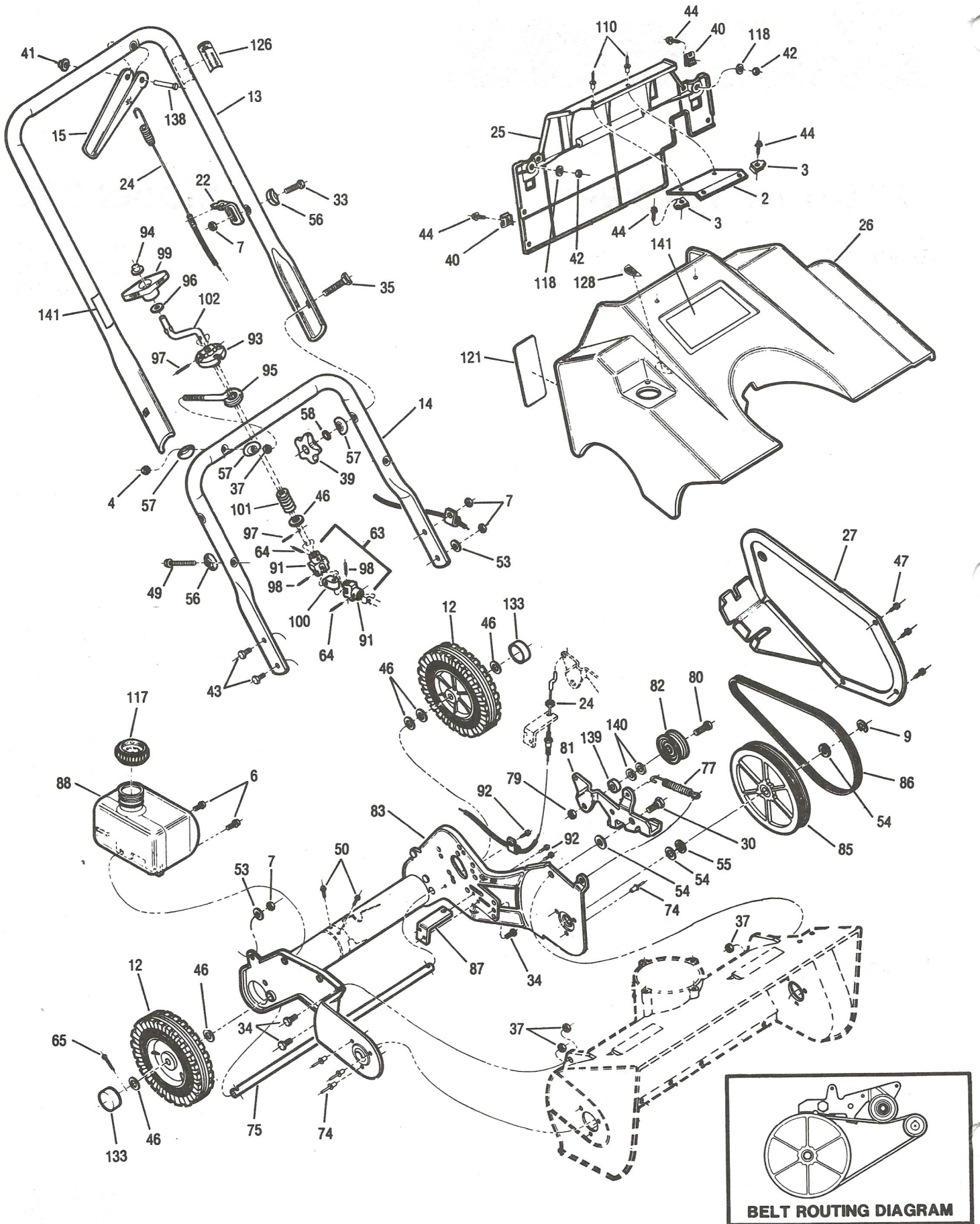
**22" Snow Thrower
3 H.P.**

Model 322

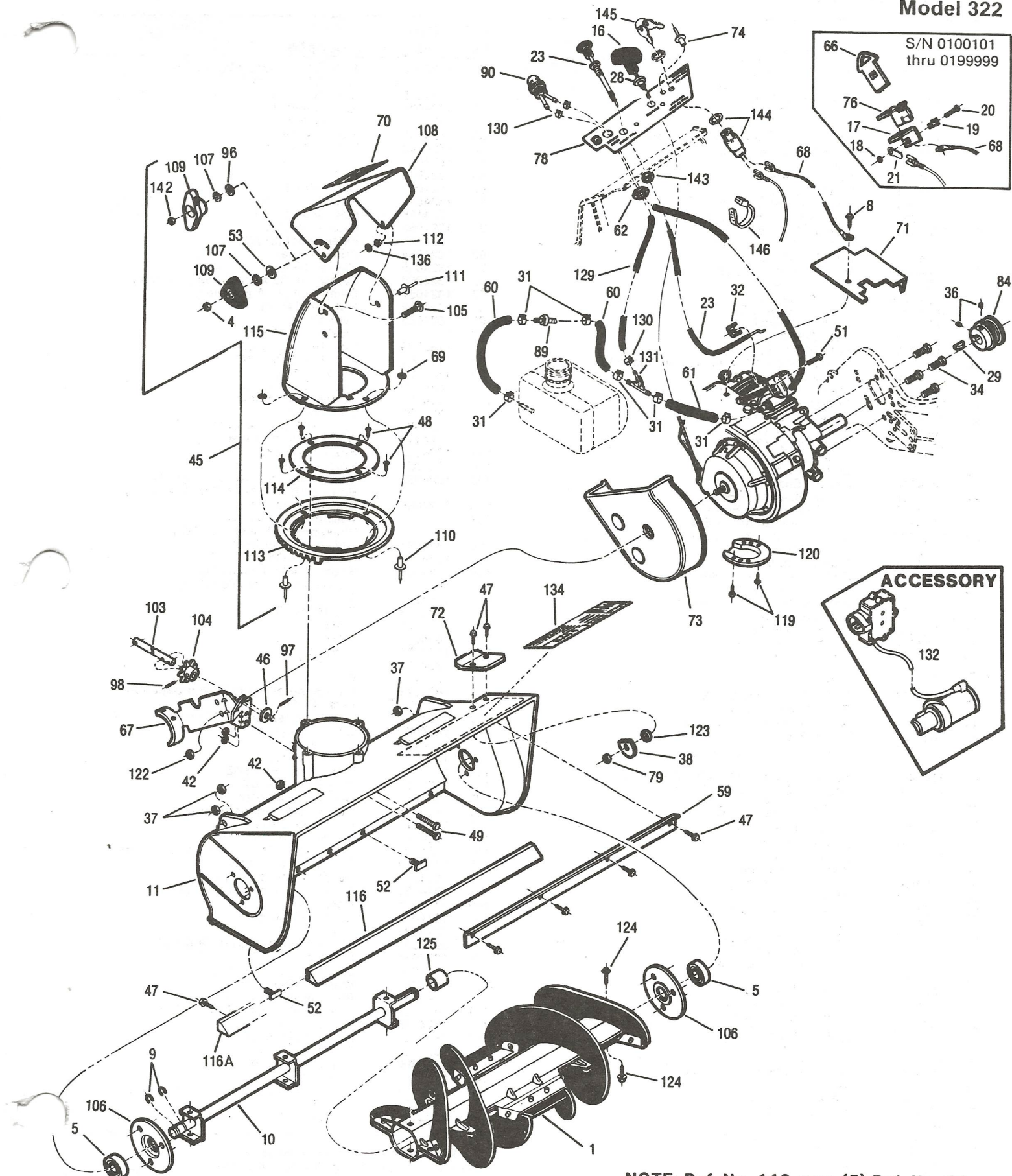
Serial Number
0100101 thru
0399999

Parts List

22" Snow Thrower



Model 322



S/N 0100101
thru 0199999

ACCESSORY

**NOTE: Ref. No. 116 uses (5) Ref. No. 52
Ref. No. 116A uses (5) Ref. No. 47**

| Ref. No. | Part No. | Description |
|----------|------------|--|
| 1 | 1824000 | Auger Assembly |
| 2 | 1824001 | Support Bracket - Panel |
| 3 | 1739919 | Nut - Tinnerman |
| 4 | 1734398 | Nut - 1/4-20 Eslock |
| 5 | 1824002 | Bearing - Auger |
| 6 | 1738693 | Bolt - 1/4-20 x 3/4 Thread Forming |
| 7 | 1734398 | Nut - 1/4-20 Top Lock |
| 8 | 1824110 | Screw - 8-18 x 9/16 |
| 9 | 1824003 | Retaining Ring |
| 10 | 1824004 | Shaft Assembly (1) |
| | 1824090 | Shaft Assembly (2) (3) |
| 11 | 1824005 | Housing - Collector/Auger |
| 12 | 1824006 | Wheel - 6" Plastic |
| 13 | 1824007 | Handle - Upper (1) (2) |
| | 1824118 | Handle - Upper (3) |
| 14 | 1824008 | Handle - Lower (1) (2) |
| | 1824119 | Handle - Lower (3) |
| 15 | 1741394BDG | Handle - Control |
| 16 | 1824009 | Handle - Engine Start |
| 17 | 1824010 | Bracket - Switch (1) |
| 18 | 1185869 | Nut - 8-32 Keps (1) |
| 19 | 1824011 | Nut - Plastic (1) |
| 20 | 1110600 | Screw - 8-32 x 5/8 Phillips Pan Head (1) |
| 21 | 1824012 | Connector - Leg (1) |
| 22 | 1824013 | Bracket - Cable Mounting |
| 23 | 1824014 | Control - Choke |
| 24 | 1824015 | Cable - Clutch Control |
| 25 | 1824016 | Panel - Back (1) |
| | 1824094 | Panel - Back (2) |
| | 1824112 | Panel - Back (3) |
| 26 | 1824017 | Cover - Engine (1) (2) |
| | 1824113 | Cover - Engine (3) |
| 27 | 1824018 | Cover Assembly - Belt |
| 28 | 1824019 | Bushing - Starter Rope |
| 29 | 1100275 | Key - Wookruff 5/32 x 5/8 |
| 30 | 1824020 | Bolt - Shoulder 3/8-16 x 1 |
| 31 | 1718185 | Clamp - Hose 1/2 |
| 32 | 1824021 | Clamp - Choke |
| 33 | * | Bolt - 1/4-20 x 1-1/4 Hex |
| 34 | * | Bolt - 5/16-18 x 5/8 |
| 35 | 1824024 | Bolt - 5/16-18 x 2-1/4 Curved |
| 36 | * | Set Screw 5/16 |
| 37 | 1732499 | Nut Eslock 5/16-18 |
| 38 | 1824026 | Washer - Back Up |
| 39 | 1731030 | Knob - Plastic |
| 40 | 1739919 | Nut - Tinnerman |
| 41 | 1728072 | Palnut - 1/4 |
| 42 | 1737938 | Nut - 10 x 24 Hex Nylok |
| 43 | * | Bolt - 1/4-20 x 1/2 Hex |
| 44 | 1185054 | No. 10 x 5/8 Special Screw |
| 45 | 1824028 | Chute Assembly (1) |
| | 1824097 | Chute Assembly (2) (3) |
| 46 | * | Washer - 3/8 |
| 47 | 1741454 | Screw - 10-9 x 5/8 Hex Washer Head |
| 48 | 1824030 | Screw - 10-9 x 5/8 Flat Head |
| 49 | * | Screw - 10-24 x 1-1/2 Hex |
| 50 | * | Screw - 10-24 x 1/2 Hex |
| 51 | 1824033 | Screw - Engine Choke |
| 52 | 1824034 | Screw - Scraper Bar (1) |
| 53 | * | Washer - 1/4 |
| 54 | * | Washer - Hardened 1/2 |
| 55 | 1824037 | Screw - Spring 1/2 |
| 56 | 1824038 | Washer - 1/4 Curved |
| 57 | 1824039 | Washer - 5/16 Curved |
| 58 | 1110645 | Washer - 5/16 Shakeproof |
| 59 | 1824040 | Baffle - Auger Housing |
| 60 | 1734941 | Fuel Line - Short 4" |
| 61 | 1734942 | Fuel Line - Long 11.5" |
| 62 | 1824041 | Nut - Primer |
| 63 | 1824042 | U-Joint Assembly |
| 64 | 1824043 | Pin - Roll 5/32 x 5/8 |
| 65 | 1100346 | Cotter Pin 3/32 x 3/4 |
| 66 | 1824044 | Key - Switch (1) |
| 67 | 1824045 | Bracket - Engine Support |
| 68 | 1824046 | Wire - Magneto Ground (1) |
| | 1824101 | Wire - Magneto Ground (2) (3) |
| 69 | * | Washer - .129 ID |
| 70 | 1750692 | Decal - Deflector |
| 71 | 1824022 | Shield - Heat Engine |
| 72 | 1824023 | Tab |
| 73 | 1824025 | Shield - Blower Engine Plastic |
| 74 | 1728772 | Pop Rivet 3/16 x 3/8 |
| 75 | 1824027 | Axle |
| 76 | 1824029 | Bracket - Switch (1) |
| 77 | 1824031 | Spring - Idler Arm |
| 78 | 1824032 | Decal - Control Panel (1) |
| | 1824102 | Decal - Control Panel (2) (3) |

| Ref. No. | Part No. | Description |
|----------|----------|--|
| 79 | 1185506 | Nut - 3/8-16 Center Lock Jam |
| 80 | * | Bolt - 3/8 x 1 Hex |
| 81 | 1824035 | Idler Arm |
| 82 | 1824036 | Idler Pulley (1) |
| | 1824103 | Idler Pulley (2) (3) |
| 83 | 1824047 | Frame Assembly |
| 84 | 1824048 | Pulley - Engine |
| 85 | 1824049 | Pulley - Auger |
| 86 | 1824050 | Belt |
| 87 | 1824051 | Cable Bracket |
| 88 | 1824052 | Gas Tank (1) (2) |
| | 1824115 | Gas Tank (3) |
| 89 | 1824053 | Filter - Fuel (1) |
| | 1824104 | Filter - Fuel (2) (3) |
| 90 | 1824054 | Primer - Fuel |
| 91 | 1824055 | Clevis - U-Joint |
| 92 | 1824056 | Screw - 10-32 x 1/2 Thread Forming |
| 93 | 1824057 | Detent - Chute Adjustment |
| 94 | 1727342 | Nut - 5/16 Push |
| 95 | 1824058 | Eyebolt |
| 96 | * | Washer - 5/16 Flat |
| 97 | 1185389 | Pin - Roll 5/32 x 3/4 |
| 98 | 1185961 | Pin - Roll 5/32 x 7/8 |
| 99 | 1824059 | Knob - 5/16 (1) |
| | 1824105 | Knob - 5/16 (2) (3) |
| 100 | 1824060 | Connector - U-Joint |
| 101 | 1824061 | Spring - Detent |
| 102 | 1824062 | Crank - Chute Deflector (1) (2) |
| | 1824116 | Crank - Chute Deflector (3) |
| 103 | 1824063 | Shaft - Sprocket |
| 104 | 1824064 | Sprocket - Drive |
| 105 | 1824065 | Bolt - 1/4-20 x 1-1/2 Carriage (1) |
| | * | Bolt - 5/16-18 x 1-3/4 Carriage (2) (3) |
| 106 | 1824066 | Retainer - Bearing |
| 107 | * | Washer - 1/4 Star (1) |
| | * | Shakeproof Washer 5/16 (2) (3) |
| 108 | 1824067 | Deflector - Chute (1) |
| | 1824106 | Deflector - Chute (2) (3) |
| 109 | 1824068 | Knob - 1/4-20 Female (1) |
| | 1824107 | Knob - 1/4-20 Female (2) (3) |
| 110 | 1186059 | Rivet - 1/8 |
| 111 | 1185879 | Pop Rivet - 3/16 |
| 112 | 1824069 | Eyelet |
| 113 | 1824070 | Gear - Chute |
| 114 | 1824071 | Ring - Chute |
| 115 | 1824072 | Chute (1) |
| | 1824108 | Chute (2) (3) |
| 116 | 1824073 | Bar - Scraper (early 1986 production) (w/slot) (1) |
| 116A | 1824074 | Bar - Scraper (late 1986 prod.) (1) (2) (3) |
| 117 | 1824080 | Cap - Fuel (1) |
| | 1824109 | Cap - Fuel (2) |
| | 1824117 | Cap - Fuel (3) |
| 118 | * | Washer #10 Flat SAE |
| 119 | 1185555 | Screw - 8-32 x 1/2 |
| 120 | 1824075 | Deflector - Muffler |
| 121 | 1824076 | Decal - Starting Instructions |
| 122 | 1185912 | Nut - 1/4-20 Keps |
| 123 | 1824077 | Spacer - 5/8-.385 x .187 |
| 124 | 1731124 | Screw - #10-24 x 3/8 Thread Forming |
| 125 | 1824078 | Spacer - 1/2 x .065 x 1" |
| 126 | 1824079 | Decal - Auger Control |
| 128 | 1824081 | Decal - 2 Cycle Certified Oil |
| 129 | 1737931 | Hose - 10" |
| 130 | 1824082 | Clamp - Hose 1/8 |
| 131 | 1824083 | 'Y' Nipple |
| 132 | 396750** | Electric Starter ES116 Optional |
| 133 | 1824084 | Hub Cap |
| 134 | 1737985 | Decal - Auger Housing |
| 136 | 1824085 | Washer - Back-up |
| 138 | 1743687 | Pin - Clevis 1/4 x 1-1/2 |
| 139 | 1824087 | Spacer - Wheel 5/16 x 3/8 ID (1) |
| 140 | 1824086 | Washer - 7/8 x 13/32 |
| 141 | 1824089 | Decal, Bolens (1) |
| | 1824098 | Decal, Bolens (2) (3) |
| 142 | 1732499 | Nut 5/16-18 Top Lock |
| 143 | * | Hex Nut 3/8 |
| 144 | 1824111 | Ignition Switch (Incl. Ref. 145) (2) (3) |
| 145 | 1824100 | Key (2) (3) |
| 146 | 1824114 | Tie Cable (3) |

* Standard hardware purchase locally
 ** Contact nearest Briggs & Stratton dealer

(1) Serial Number 0100101 thru 0199999
 (2) Serial Number 0200101 thru 0299999
 (3) Serial Number 0300101 thru 0399999