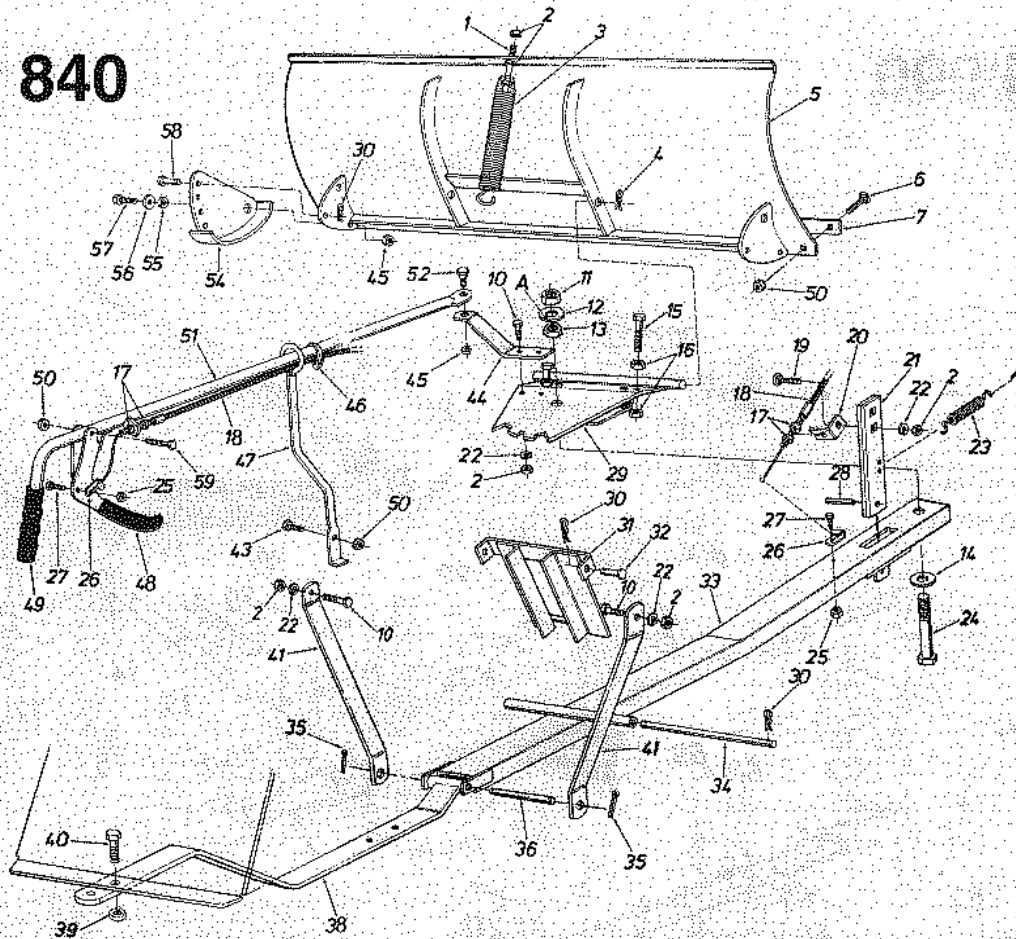


Model 840



PARTS LIST FOR MODEL 840 48" SNOW BLADE

REF. NO.	PART NO.	CODE	DESCRIPTION	REF. NO.	PART NO.	CODE	DESCRIPTION
1	710-0693		Hex Bolt 3/8-16 x 4.5" Lg.*	32	711-0310		Clevis Pin 1/2" Dia. x 1.0" Lg.
2	712-0798		Hex Nut 3/8-16 Thd.*		711-0309		Clevis Pin 5/8" Dia. x 1.25" Lg.
3	732-0359		Blade Adjustment Spring	33	05744		Push Bar Ass'y.
4	714-0117		Hairpin Clip 5/32" Dia.	34	738-0454		Lift Shaft
5	05741		48" Blade Ass'y.	35	714-0121		Cotter Pin 5/32" Dia. x 1.0" Lg.*
6	710-0451		Carriage Bolt 5/16-18 x .75" Lg.*	36	738-0638		Pivot Shaft
7	05754		Wear Plate 48"	37	710-0342		Hex Bolt 3/8-16 x 1.25" Lg.*
10	710-0253		Hex Bolt 3/8-16 x 1.0" Lg.*	38	05749A		Hanger Bracket Ass'y.
11	712-0205		Hex L-Nut 3/4-10 Thd.	39	712-0261		Hex L-Nut 5/8-11 Thd.
12	736-0306		Fl-Wash. .81" I.D. x 2" (Special)	40	710-0367		Hex Bolt 5/8-11 x 1.5" Lg.*
13	712-0301		Hex Jam Nut 3/4-10 Thd.*	41	16367		Hanger Link
14	736-0305		Fl-Wash. .81" I.D. x 2" O.D.	43	710-0376		Hex Bolt 5/16-18 x 1.0" Lg.*
15	710-0489		Hex Bolt 1/2-13 x 2.0" Lg.*	44	05757		Blade Pivot Bracket
16	712-0206		Hex Nut 1/2-13 Thd.*	45	712-0375		Hex L-Nut 3/8-16 Thd.
17	712-0256		Hex Jam Nut 5/16-24 Thd.*	46	726-0178		Nylon Cable Tie
18	746-0366		Control Cable Ass'y.	47	05761		Tube Guide Ass'y.
19	710-0305		Carriage Bolt 3/8-16 x 1.25" Lg.*	48	05639		Clutch Grip Ass'y.
20	05762		Cable Guide Bracket	49	07071		Grip—3/4" Handle
21	05665		Angle—Lock Bar	50	712-0158		Hex L-Nut 5/16-18 Thd.
22	736-0169		L-Wash. 3/8" I.D.*	51	05758		Tube Handle Ass'y.
23	732-0360		Angle Lock Spring	52	738-0234		Shld. Bolt—Special 3/8-16 Thd.
24	710-0764		Hex Bolt 3/4-10 x 4" Lg. (Special)	54	05655		Skid Assembly
25	712-0107		Hex L-Nut 1/4-20 Thd.	55	750-0437		Spacer
26	746-0260		Clevis Lanyard Fitting	56	736-0258		Fl-Wash. .385" I.D. x 1.0" O.D.
27	710-0252		Hex Bolt 1/4-20 x .75" Lg.*	57	710-0216		Hex Bolt 3/8-16 x 4.75" Lg.*
28	715-0114		Roll Pin 1/4" Dia. x 1.0" Lg.	58	711-0686		Clevis Pin 5/16" Dia. x .75" Lg.
29	05764		Pivot Plate Ass'y.	59	710-0442		Hex Bolt 5/16-18 x 1.5" Lg.*
30	714-0101		Hairpin Clip 3/32" Dia.	60	05755		Mounting Brkt.—L.H.
31	05751A		Guide Bracket Ass'y.	61	05756		Mounting Brkt.—R.H.

* For faster service obtain standard nuts, bolts and washers locally. If these items cannot be obtained locally, order by part number and size as shown on parts list.