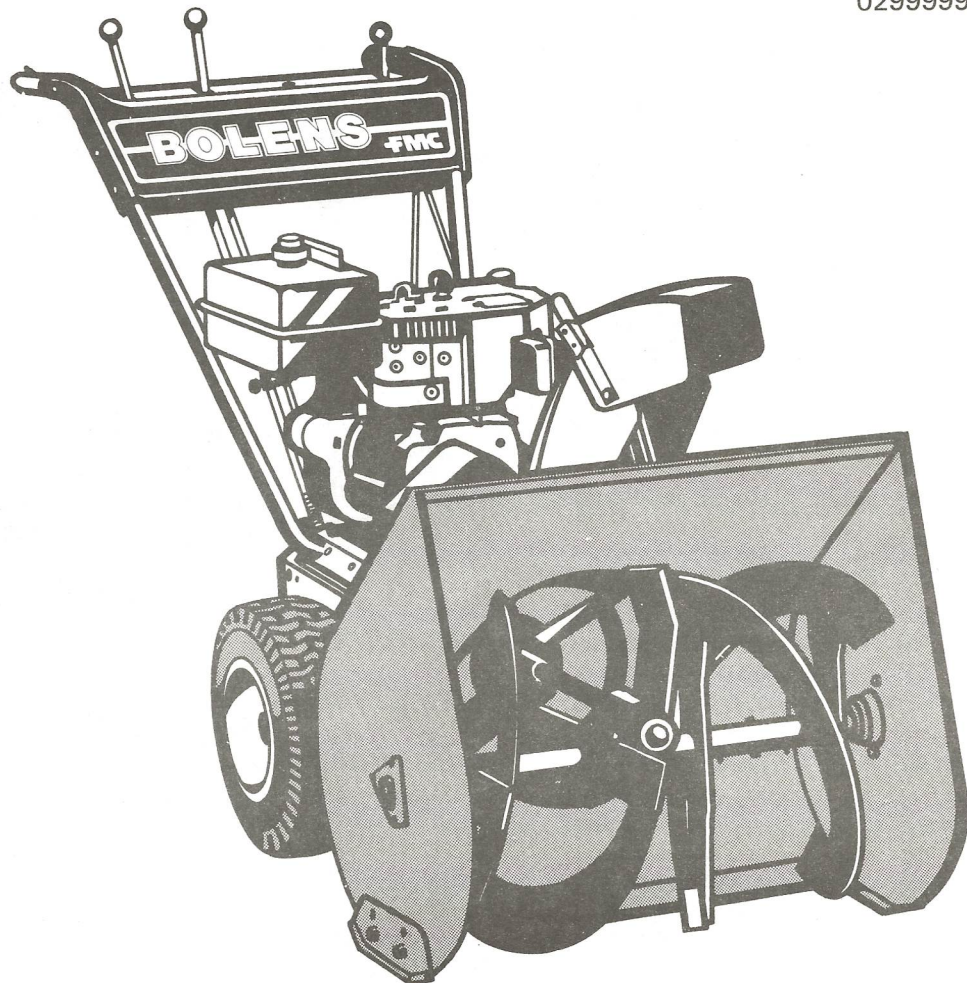


Bolens[®]

Snow Thrower

Model 724

Serial Number
0100101
thru
0299999



Parts List

BOLENS 24 INCH SNOW THROWER

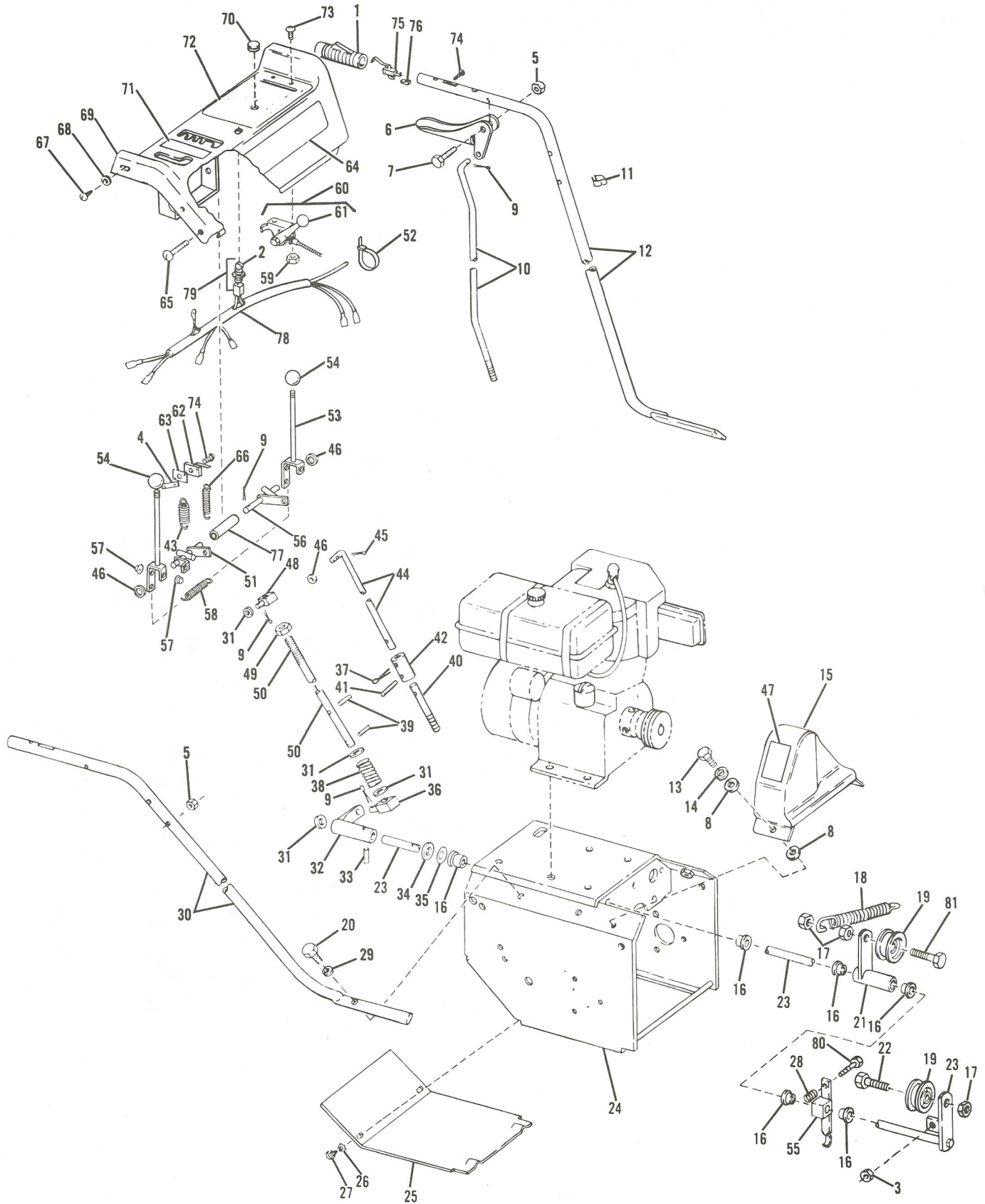


Figure 1 TRIM, CONTROL AND FRAME ASSEMBLY

REF. NO.	PART NO.	DESCRIPTION	NO. REQ'D.	REF. NO.	PART NO.	DESCRIPTION	NO. REQ'D.
1	1737240	Handle Grip	2	45	● 1100349	Cotter Pin, 1/8 x 3/4	1
2	1727326	Key Only	1	46	● 1107383	Flat Washer, 3/8	4
3	● 1110107	Lock Nut, 5/16-18.	1	47	1736380	Decal	1
4	1727777	Speed Nut, No. 4-40	1	48	1725264	Swivel Block.	1
5	● 1110106	Hex Lock Nut, 1/4-20	5	49	● 1186230	Hex Nut, 5/16-18	1
6	1732537	Clutch Handle.	1	50	1725267	Auger Control Rod	1
7	● 1100811	Hex Head Capscrew, 1/4-20 x 1-1/2	1	51	1735697	Pivot, RH.	1
8	● 1107381	Flat Washer, 1/4	2	52	1735531	Tie Cable	1
9	● 1100346	Cotter Pin, 3/32 x 3/4	4	53	1735701	Control Lever.	2
10	1732538	Clutch Control Rod	1	54	1715817	Knob	2
11	149925	Cable Clip	1	55	1730264	Brake Arm Assy.	1
12	1735916	Left Hand Handle	1	56	1735693	Pivot, LH.	1
13	● 1100805	Hex Head Capscrew, 1/4-20 x 3/4	2	57	1710146	Push Nut	4
14	● 1100241	Lockwasher, 1/4	2	58	1735843	Extension Spring.	1
15	1736006	Belt Guard	1	59	● 1185985	External Lockwasher Nut, No. 10	2
16	1715716	Bushing	6	60	1725297	Throttle Control (Incl. Ref. 61)	1
17	1185506	Self Locking Jam Nut, 3/8-16	3	61	1724527	Control Knob.	1
18	1725263	Extension Spring.	1	62	1728199	Interlock Switch	1
19	1729440	Idler	2	63	1725551	Switch Plate	1
20	● 1100046	Hex Head Capscrew, 3/8-16 x 1.	4	64	1736361	Decal (Logo)	1
21	1730261	Idler Arm.	1	65	● 1115987	Round Head Machine Screw, 1/4-20 x 1-1/2	4
22	● 1100043	Hex Head Capscrew, 3/8-16 x 1-1/4	1	66	1725826	Extension Spring.	1
23	1730256	Idler Arm.	1	67	● 1185549	Thread Cutting Screw, No. 10-24 x 5/8	2
24	1735800	Frame (1).	1	68	● 1103959	Flat Washer, No. 10.	2
	1739040	Frame (2)	1	69	1735686	Console	1
25	1725148	Bottom Cover.	1	70	1185585	Flip Grommet.	1
26	● 1185489	Shakeproof Washer, No. 10	2	71	1735841	Decal (Wheel & Auger Drive).	1
27	● 1185750	Self Drilling Screw, No. 10-24 x 1/2	2	72	1735842	Decal (Instructions)	1
28	1807317	Compression Spring	1	73	● 1115815	Round Head Phillips Screw, No. 10-24 x 5/8	2
29	● 1100243	Lockwasher, 3/8	4	74	1725552	Thread Cutting Screw, No. 4-40 x 3/4	4
30	1730186	Right Hand Handle	1	75	1728198	Interlock Switch	2
31	● 1107382	Flat Washer, 5/16	4	76	1727802	Connector	1
32	1728167	Control Arm.	1	77	1735698	Tube.	1
33	1185389	Drive Pin, 5/32 x 3/4	1	78	1736071	Wiring Harness	1
34	1890234	Flat Washer, 1/2	1	79	1727321	Ignition Switch (Incl. Ref. 2	1
35	1706782	Bowed Washer	1	80	● 1100808	Hex Head Capscrew, 5/16-18 x 1-1/4	1
36	1725265	Swivel Block.	1	81	● 1100086	Hex Screw, 3/8-16 x 1-3/4	1
37	● 1100350	Cotter Pin, 1/8 x 1.	1	NI	1734846	Spray Paint, Red	
38	1713781	Compression Spring	1	NI	1735222	Spray Paint, Black	
39	1724885	Drive Pin, 3/32 x 3/4	2				
40	1727159	Shift Rod Extension	1				
41	1177625	Roll Pin, 1/8 x 3/4.	1				
42	1721782	Coupling	1				
43	1728258	Extension Spring.	1				
44	1727024	Speed Control Rod	1				

● Common Hardware - purchase locally (Grade 5 where applicable)

(1) Serial Number 0100101 thru 0199999
 (2) Serial Number 0200101 and later

BOLENS 24 INCH SNOW THROWER

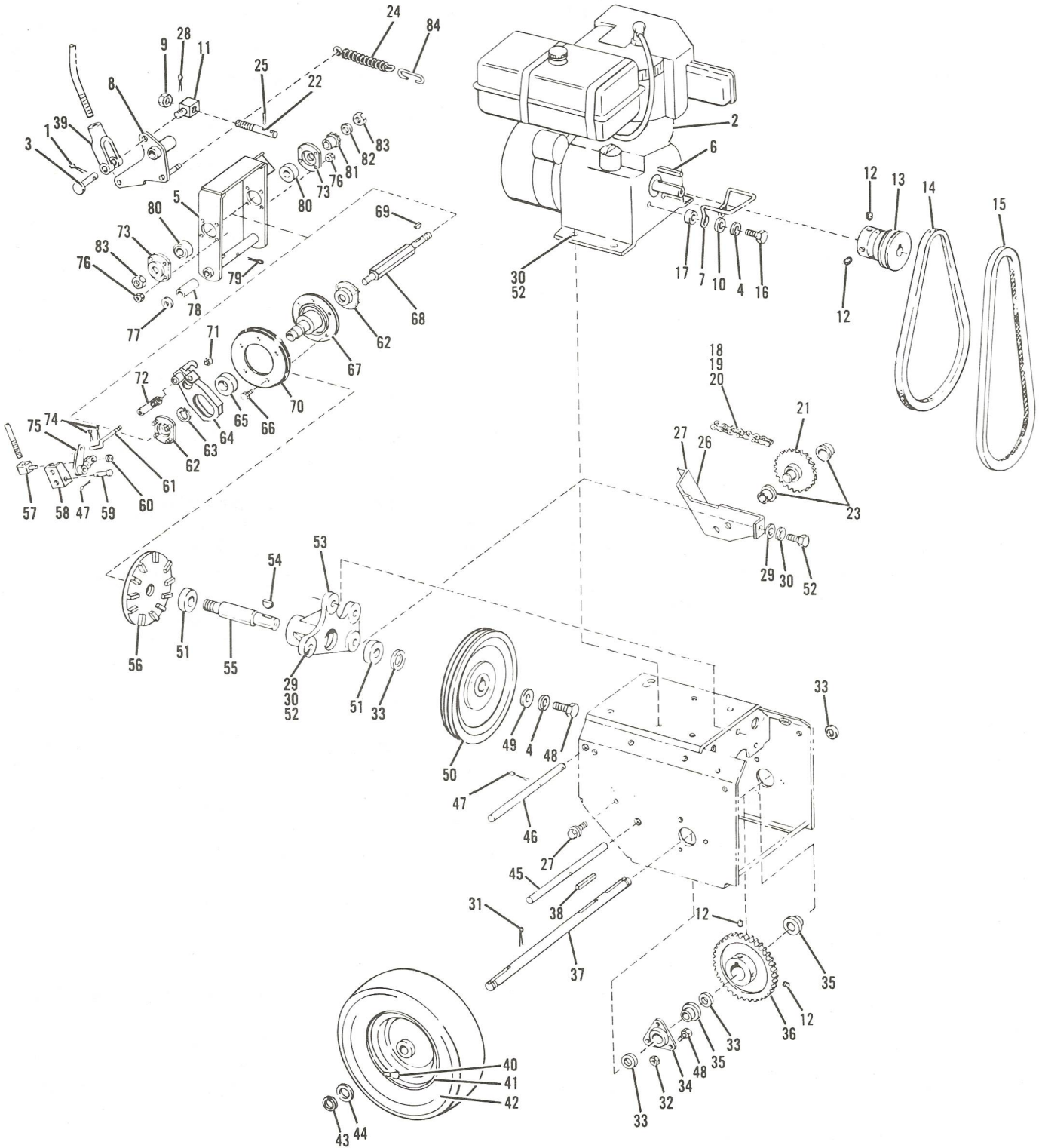


Figure 2 ENGINE AND DRIVE ASSEMBLY

REF. NO.	PART NO.	DESCRIPTION	NO. REQ'D.	REF. NO.	PART NO.	DESCRIPTION	NO. REQ'D.
1	● 1187385	Cotter Pin, 1/16 x 1/2	1	42	1725299	Tire 4.10/3.50 x 6	2
2	*	Tecumseh Engine HSK 70. . .	1	43	1113527	Retaining Ring	2
3	1710348	Clevis Pin.	1	44	121898	Washer, Thrust	2
4	● 1100242	Lockwasher, 5/16	3	45	1720870	Bracket Pin	1
5	1735730	Bracket Assy.	1	46	1727049	Fork Shaft	1
6	1187474	Key, 1/4 Square x 1-1/4 . . .	1	47	● 1100350	Cotter Pin, 1/8 x 1.	3
7	1735911	Belt Guide	1	48	● 1100044	Capscrew, 5/16-18 x 3/4. . .	4
8	1727048	Pivot Arm Assy.	1	49	1713233	Washer, Flat Special.	1
9	● 1186231	Hex Nut, 3/8-16	1	50	1725281	Sheave.	1
10	● 1107382	Flat Washer, 5/16	2	51	1185809	Ball Bearing	2
11	1727053	Pivot Block	1	52	● 1103212	Capscrew, 3/8-16 x 5/8. . . .	8
12	● 1182554	Set Screw, 5/16-18 x 5/16. .	4	53	1720906	Bearing Housing	1
13	1726780	Engine Sheave.	1	54	1185885	Woodruff Key, 3/16 x 5/8. . .	1
14	1894272	V-belt	1	55	1725188	Spindle	1
15	1725253	V-belt, 34".	1	56	1720918	Drive Plate	1
16	● 1100005	Capscrew, 5/16-24 x 1	2	57	1721146	Pivot.	1
17	1803327	Spacer.	2	58	1720797	Lever Bracket	1
18	182087	Offset Link (Half Link)	1	59	1720869	Clevis Pin.	1
19	1185013	Conn. Link, No. 41 Chain. . .	1	60	1185257	Retaining Ring	1
20	1720939	Drive Chain, 1/2 Pitch, ASA No. 41.	1	61	1720856	Connecting Link	1
21	1735709	Pinion and Sprocket.	1	62	1720810	Flange Bearing Assy.	2
22	1735732	Adjusting Rod	1	63	1736561	Snap Ring	1
23	1185802	Flange Bearing	2	64	1736758	Sliding Fork Assy.	1
24	1727011	Extension Spring.	1	65	1185806	Thrust Bearing	1
25	1177625	Roll Pin, 1/8 x 3/4.	2	66	1186327	Screw, 5/16-18 x 1/2	5
26	1735812	Support Bracket	1	67	1736562	Friction Disc Hub	1
27	1186327	Flange Whiz Lock Screw, 5/16-18 x 1/2.	4	68	1720862	Hex Shaft	1
28	● 1100349	Cotter Pin, 1/8 x 3/4	1	69	1104435	Woodruff Key.	1
29	● 1107383	Flat Washer, 3/8	4	70	1720859	Molded Friction Disc	1
30	● 1100243	Lockwasher, 3/8	8	71	● 1110149	Lock Nut, 5/16-24.	1
31	● 1100351	Cotter Pin, 1/8 x 1-1/4.	1	72	1720925	Ball Joint.	1
32	1186391	Flange Nut, 5/16-18.	3	73	1720811	Flange Bearing	1
33	1185830	Special Washer	As Req'd.	74	● 1100346	Cotter Pin, 3/32 x 3/4	2
34	1735747	Bearing Plate	1	75	1727026	Transfer Lever	1
35	1739036	Flange Bearing	2	76	● 1185460	Lock Nut, No. 10-24	8
36	1721763	Gear, 48T	1	77	1185831	Shim Washer.	As Req'd.
37	1736005	Axle Shaft	1	78	1720872	Spacer Hub	1
38	1104333	Key, 3/16 Square x 1.	1	79	● 1100351	Cotter Pin, 1/8 x 1-1/4. . . .	1
39	1715927	Clevis	1	80	1185808	Ball Bearing	2
40	1718086	Valve Stem.	2	81	1720861	Sprocket, 9T	1
41	1725314	Wheel Disc.	2	82	1890234	Flat Washer, 1/2	1
				83	● 1110152	Lock Nut, 1/2-20	2
				84	1727289	Spring Hook.	1

*Purchase Parts from your Tecumseh, Lauson-Power Products Outlet
 ●Common Hardware - purchase locally (Grade 5 where applicable)

BOLENS 24 INCH SNOW THROWER

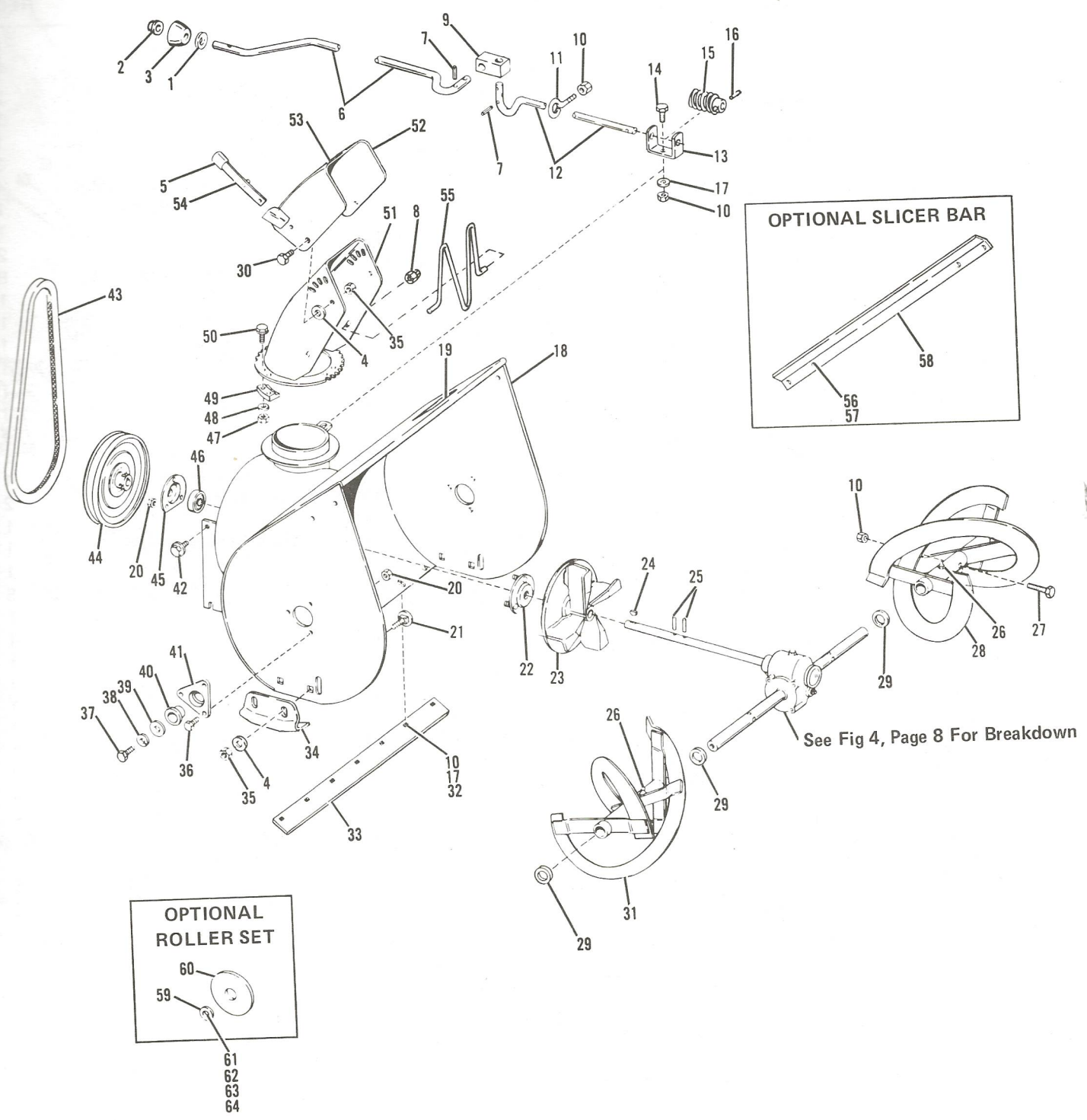


Figure 3 BLOWER HOUSING ASSEMBLY

REF. NO.	PART NO.	DESCRIPTION	NO. REQ'D.	REF. NO.	PART NO.	DESCRIPTION	NO. REQ'D.
1	1890945	Flat Washer, 3/8	1	37	● 1100053	Hex Head Capscrew, 1/2-13 x 3/4	2
2	1710146	Cap, Push On	1	38	● 1100245	Lockwasher, 1/2	2
3	1735868	Knob	1	39	● 1100257	Flat Washer, 1/2	2
4	● 1107383	Flat Washer, 3/8	6	40	1185846	Flange Bushing	2
5	1730214	Grip	1	41	1720922	Bearing Support	2
6	1736691	Chute Control Crank	1	42	1185798	Flange Whiz Lock Screw, 3/8-16 x 1/2	2
7	1177625	Roll Pin, 1/8 x 3/4	4	43	1725253	V-Belt, 34"	1
8	1186048	Push Nut	2	44	1725282	Auger Sheave	1
9	1714782	Swivel Block	1	45	1734735	Flange Bearing	1
10	● 1110107	Lock Nut, 5/16-18	9	46	1185809	Ball Bearing	1
11	1725199	Eye Bolt	1	47	1185985	Keps Nut, No. 10-24	6
12	1730549	Chute Control Shaft	1	48	● 1103959	Flat Washer, No. 10	As Req'd.
13	1735869	Gear Support	1	49	1724869	Clip	3
14	● 1100044	Hex Head Capscrew, 5/16-18 x 3/4	1	50	● 1185130	Hex Head Sems Machine Screw, No. 10-24	6
15	1724870	Worm, 6 Thread, L.H.	1	51	1724867	Duct Assembly	1
16	1724885	Drive Pin, 3/32 x 3/4	1	52	1723746	Deflector Cap	1
17	● 1107382	Flat Washer, 5/16	6	53	1735924	Decal (Caution)	1
18	1735877	Housing	1	54	1723643	Adjusting Lever	1
19	1735925	Decal (Warning)	1	55	1722501	Guard, Chute	1
20	● 1110106	Lock Nut, 1/4-20	9	NI	1723284	Grease Gun	
21	● 1186126	Carriage Bolt, 3/8-16 x 3/4	4	NI	1723479	Grease, Multi-purpose	
22	1734872	Bearing Flange	1				
23	1720785	Fan	1				
24	1104436	Woodruff Key, 3/16 x 3/4	1				
25	1185348	Roll Pin, 1/4 x 1-1/4	2				
26	1185803	Grease Fitting	4				
27	1720867	Shear Bolt	2	56	● 1110107	Lock Nut, 5/16-18	2
28	1725116	Auger, Left Hand	1	57	● 1106874	Capscrew, 5/16-18 x 3/4	2
29	1185816	Special Washer, 1-1/64 Diameter	6	58	1715427	Drift Slicer	1
30	● 1103212	Hex Head Capscrew, 3/8-16 x 5/8	2				
31	1725117	Auger, Right Hand	1	59	1708754	Spacer	2
32	1712059	Carriage Bolt, 5/16-18 x 1/2	5	60	1716972	Roller	2
33	1721716	Scraper Blade	1	61	● 1100243	Lockwasher, 3/8	2
34	1728567	Runner	2	62	● 1100256	Flat Washer, 3/8	6
35	● 1110108	Lock Nut, 3/8-16	6	63	● 1103840	Hex Nut, 3/8-16	2
36	● 1111599	Hex Head Capscrew, 1/4-20 x 5/8	6	64	● 1106919	Capscrew, 3/8-16 x 1	2

OPTIONAL SLICER BAR

OPTIONAL ROLLER SET

● Common Hardware - purchase locally (Grade 5 where applicable)

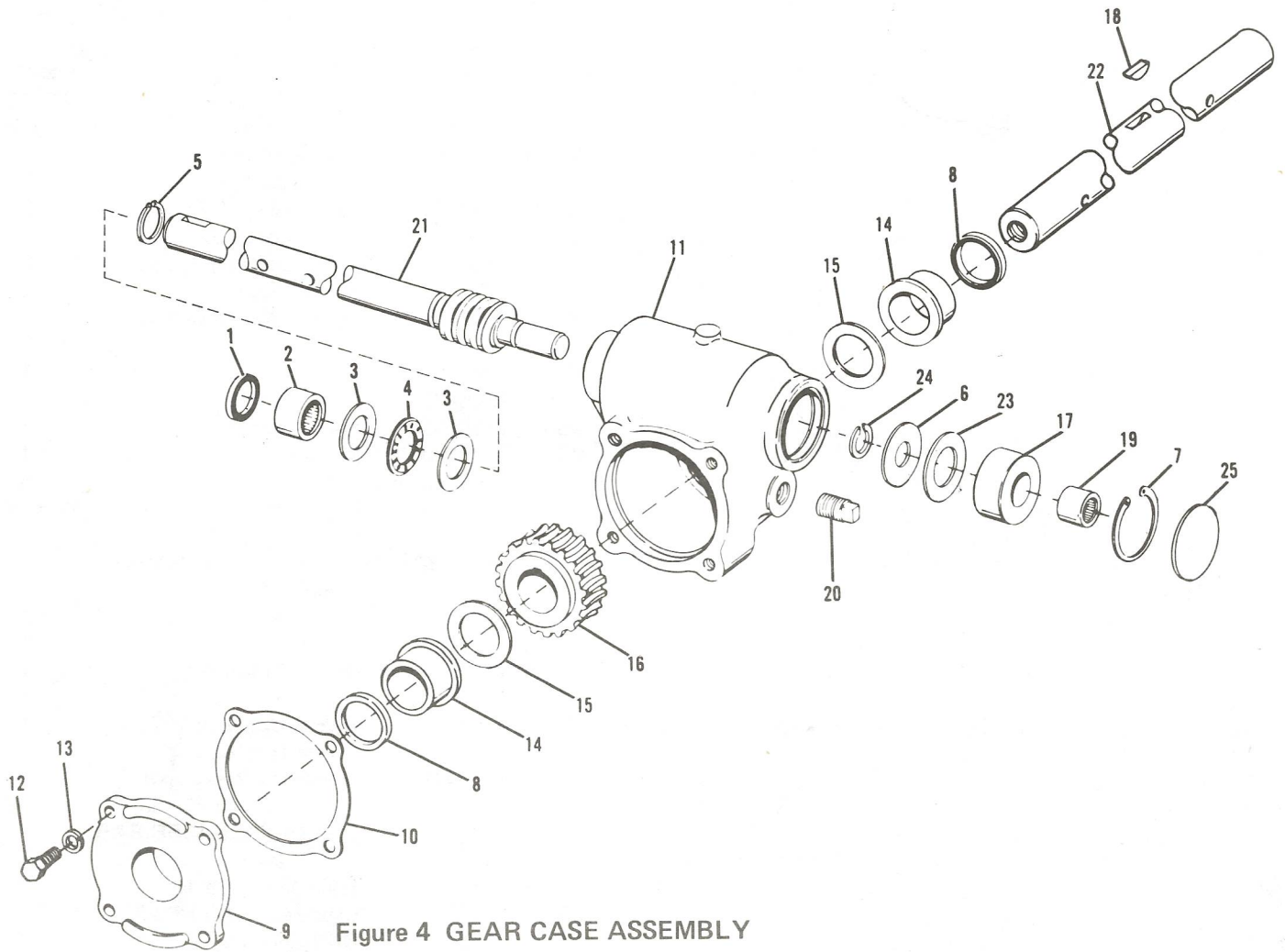


Figure 4 GEAR CASE ASSEMBLY

REF. NO.	PART NO.	DESCRIPTION	NO. REQ'D.	REF. NO.	PART NO.	DESCRIPTION	NO. REQ'D.
1	1185224	Oil Seal	1	15	1185815	Thrust Race	2
2	1185374	Needle Bearing	1	16	1720933	Worm Gear, 20T	1
3	1185841	Thrust Race	2	17	1720763	Spacer	1
4	1185431	Thrust Bearing	1	18	1100276	Woodruff Key, 1/4 x 7/8 . .	1
5	1185649	Retaining Ring	1	19	1185568	Needle Bearing	1
6	1185842	Washer	1	20	1105620	Square Head Plug, 1/4-18 NPT	1
7	1118726	Retaining Ring, Internal . .	1	21	1735706	Impeller Shaft.	1
8	1185266	Oil Seal	2	22	1721715	Auger Shaft	1
9	1720910	Gear Case Cover	1	23	1185840	Thrust Race	1
10	1720941	Cover Gasket	1	24	1185843	Retaining Ring, External. . .	1
11	1735894	Gear Case Only	1	25	1112634	Expansion Plug	1
12	● 1111599	Capscrew, 1/4-20 x 5/8. . . .	4	NI	1723456	Gear Lube, EP 90	
13	● 1100241	Lockwasher, 1/4	4				
14	1185728	Flange Bearing	2				

● Common Hardware - purchase locally (Grade 5 where applicable)