

# TWIN BAG GRASS COLLECTOR MOUNTING KIT

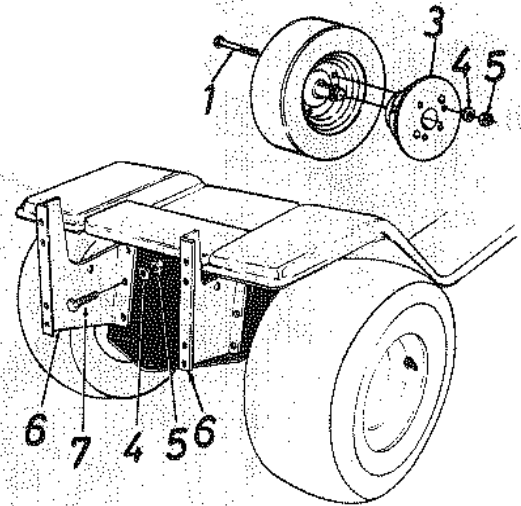
**Model Number  
190-084-000**

Mounts the 063 Grass Collector to a  
300 or 400 Series Front Engine Lawn Tractor  
with 32", 36" or 38" Deck

## PARTS LIST FOR MODEL 084 GRASS COLLECTOR MOUNTING KIT

REF. NO.	PART NO.	DESCRIPTION	QTY.
1	710-0190	Hex Bolt 5/16-18 x 4" Lg.	4
3	723-0414B	Wheel Weight	2
4	736-0119	L-Wash. 5/16" I.D.*	12
5	712-0267	Hex Nut 5/16-18 Thd.*	12
6	16672A	Catcher Support Brkt.	2
7	710-0118	Hex Bolt 5/16-18 x .75" Lg.*	6

\* For faster service obtain standard nuts, bolts and washers locally. If these items cannot be obtained locally, order by part number and size as shown on parts list.

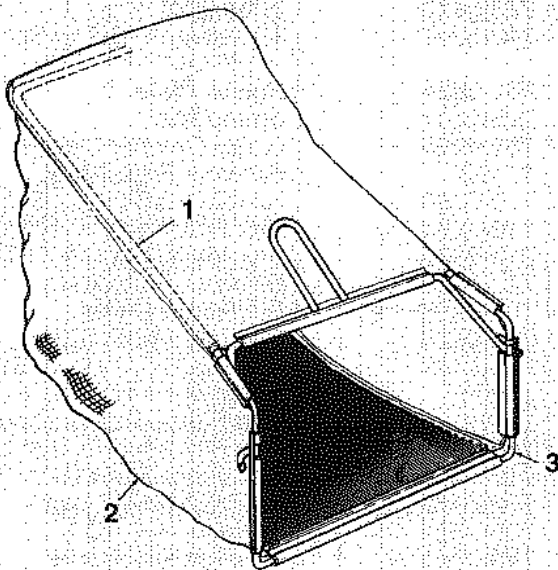


# GRASS CATCHER

**Model Numbers**

**190-088-000** (for 21" Mower)

**190-098-000** (for 19" Mower)



## PARTS LIST FOR MODELS 088 AND 098 GRASS CATCHERS

REF. NO.	Model 088 (21" Mower) Part No.	Model 098 (19" Mower) Part No.	DESCRIPTION
1	764-0310	764-0325	Rear Catcher Frame
2	764-0309	764-0446	Grass Bag
3	764-0311	764-0326	Front Catcher Frame

NOTE: Specifications subject to change without notice or obligation.