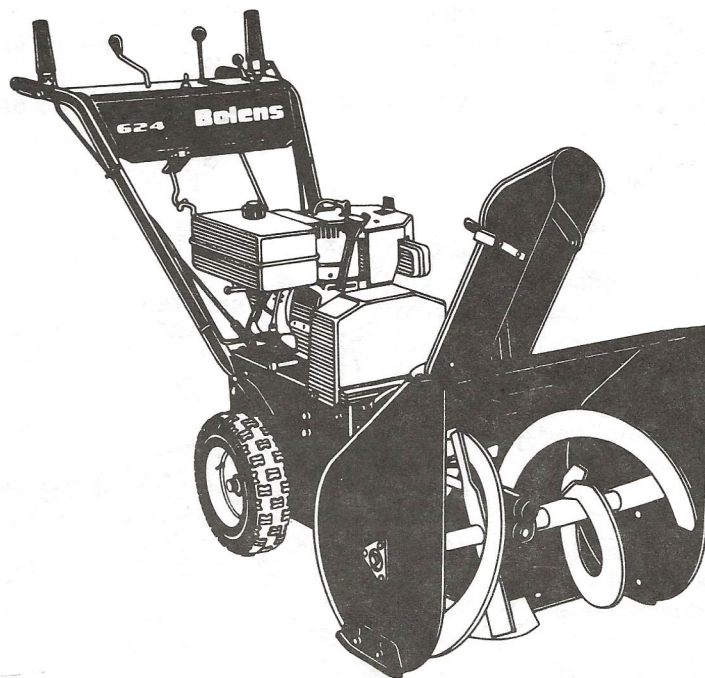

Bolens[®]

Snow Thrower

Model 624

Serial Number
0100101 thru
0399999



Parts List

24 INCH SNOW THROWER

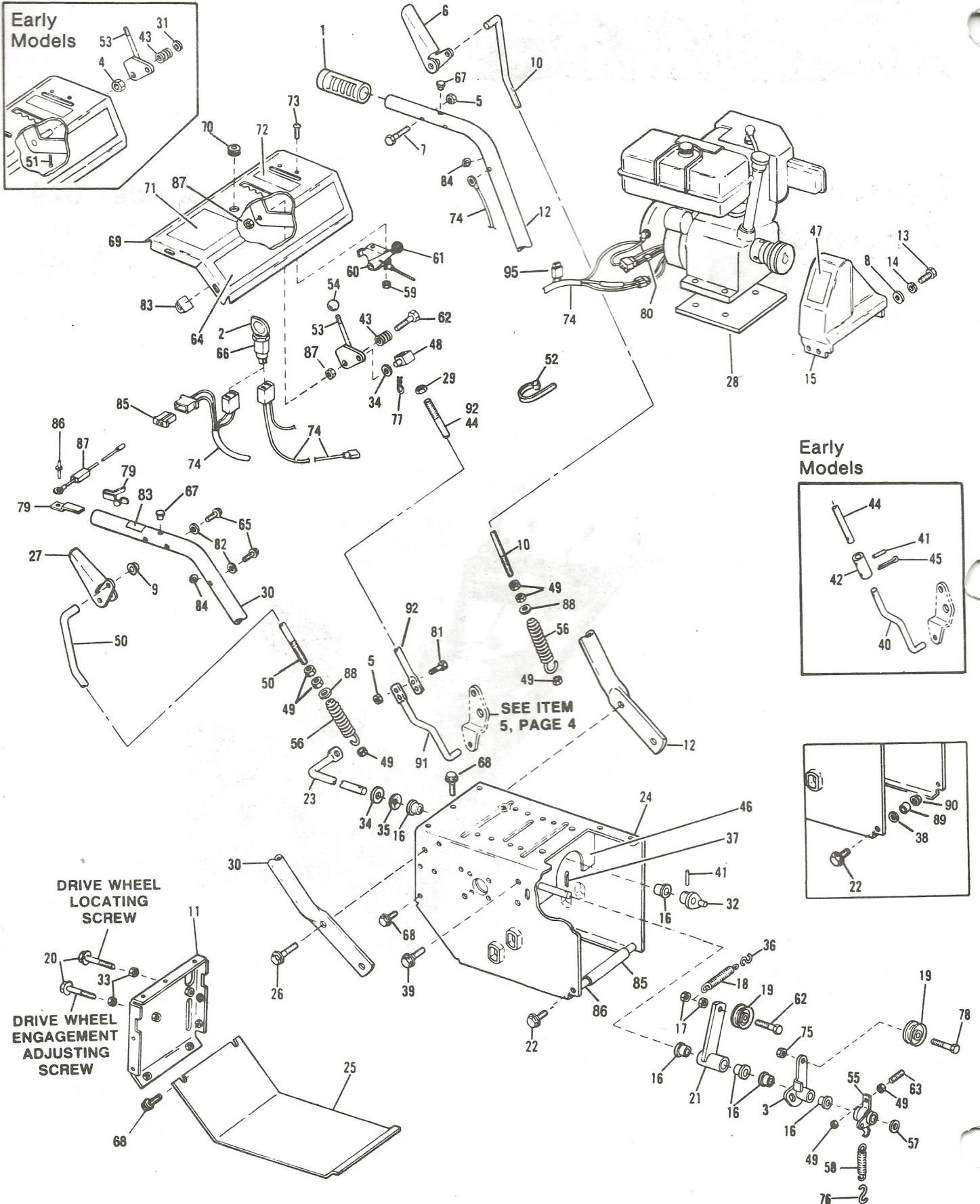


Figure 1. TRIM, CONTROL AND FRAME ASSEMBLY

MODEL 624

REF. NO.	PART NO.	DESCRIPTION	NO. REQ'D
1	1744471	Handle Grip (1) (2) (3)	2
	1745576	Handle Grip (4)	2
2	1727326	Key Only	1
3	1739937	Idler Arm	1
4	• 1186213	Nut, 7/16-20 (1) (2)	1
5	• 1734398	Hex Lock Nut, 1/4-20	4
6	1745672	L.H. Control Handle (1) (2) (3)	1
	1745672BDG	L.H. Control Handle (4)	1
7	• 1111601	Hex Capscrew, 1/4-20 x 1-3/4	2
8	• 1107382	Flat Washer, 5/16	2
9	1728072	Push Nut	2
10	1739734	Clutch Control Rod	1
11	1739757	Back Plate (1) (2) (3)	1
	1739757BDG	Back Plate (4)	1
12	1750909	Left Hand Handle (1) (2) (3)	1
	1750909BDG	Left Hand Handle (4)	1
13	• 1100044	Hex Capscrew 5/16-18 x 3/4	2
14	• 1100242	Lockwasher, 5/16	2
15	1740030	Belt Guard (1) (2) (3)	1
	1755775	Belt Guard (4)	1
16	1715716	Bushing	6
17	1185506	Self Locking Jam Nut, 3/8-16	2
18	1740011	Extension Spring	1
19	1729440	Idler	2
20	• 1186334	Fl. Hd. Screw, 5/16-18 x 1-3/4	2
21	1739935	Idler Arm	1
22	• 1186329	Fl. Hd. Screw, 5/16-18 x 3/4	2
23	1739942	Control Arm	1
24	1745858	Frame (1) (2) (3)	1
	1745858BDG	Frame (4)	1
25	1739838	Bottom Cover (1) (2) (3)	1
	1739838BDG	Bottom Cover (4)	1
26	• 1186345	Flange Screw, 3/8-16 x 3/4	4
27	1745673	R.H. Control Handle (1) (2) (3)	1
	1745673BDG	R.H. Control Handle (4)	1
28	1741734	Engine Mtg. Plate (1) (2) (3)	1
29	• 1186231	Hex Nut, 3/8-16	1
30	1750910	R.H. Handle (1) (2) (3)	1
	1750910BDG	R.H. Handle (4)	1
31	• 1107383	Flat Washer, 3/8 (1) (2)	1
32	1739932	Control Arm	1
33	• 1186258	Hex Nut, 5/16-18	2
34	1890234	Flat Washer, 1/2	2
35	1706782	Bowed Washer	1
36	1740989	Hook	1
37	• 1100356	Cotter Pin, 3/32 x 1	1
38	1177548	Lock Washer 5/16 (1) (2)	2
39	• 1186328	Flange Screw, 5/16-18 x 5/8	6
40	1739726	Control Rod (1)	1
41	1743493	Drive Pin, 1/8 x 3/4	2
42	1721782	Coupling (1)	1
43	1713167	Compression Spring	1
44	1741447	Speed Control Rod (1)	1
45	• 1100350	Cotter Pin, 1/8 x 1 (1)	1
	1740442	Support Assembly (1) (2)	1
	1754272	Support Assembly (3) (4)	1
47	1750521	Decal (1) (2) (3)	1
48	1727053	Swivel Block	1

REF. NO.	PART NO.	DESCRIPTION	NO. REQ'D
49	• 1186229	Hex Nut, 1/4-20	8
50	1740027	Auger Control Rod	1
51	• 1100349	Cotter Pin, 1/8 x 3/4 (1) (2)	1
52	1735531	Tie Cable	4
53	1739715	Control Lever	1
54	1715817	Knob	1
55	1739941	Brake Arm Assembly	1
56	1739745	Extension Spring	2
57	• 1107385	Flat Washer 1/2"	1
58	1740990	Extension Spring	1
59	• 1185985	Ext. Lockwasher/Nut, # 10	2
60	1741648	Throttle Control (Incl. Ref. 61) ...	1
61	1724527	Control Knob (1) (2) (3)	1
	1737118	Control Knob (4)	1
62	• 1100086	Hex Screw, 3/8-16 x 1-3/4	2
63	1741847	Socket Screw, 1/4-20 x 1-1/4	1
64	1748619	Decal (Logo) (1) (2) (3)	1
	1755863	Decal (Logo) (4)	1
65	1754128	Fl. Lock Screw, 1/4-20 x 5/8	4
66	1727321	Ignition Switch (Incl. Ref. 2)	1
67	1750796	Wear Button	2
68	1724491	Thd. Form Screw 5/16-18 x 3/4 ...	9
69	1745472	Console Assembly (1) (2)	1
	1754331	Console Assembly (3)	1
	1754331BDG	Console Assembly (4)	1
70	1185585	Flip Grommet	1
71	1740559	Decal Instructions (1) (2)	1
	1754325	Decal Instructions (3)	1
	1755810	Decal Instructions (4)	1
72	1740558	Decal Throttle Control (1) (2)	1
	1754326	Decal Throttle Control (3)	1
	1755804	Decal Throttle Control (4)	1
73	• 1115815	Round Head Screw, 10-24 x 5/8 ..	2
74	1740404	Lead	1
75	• 1733398	Lock Nut, 3/8-16	1
76	1742250	Hook	1
77	1703011	Spring Clip	1
78	• 1100047	Hex Screw, 3/8-16 x 1-1/2	1
79	1745674	Snap Button (3) (4)	1
80	1721038	Connector (3)	1
81	• 1100805	Hex Screw 1/4-20 x 3/4 (2) (3) ...	2
82	• 1107381	Flat Washer, 1/4	4
83	1754327	Decal Interlock (3)	1
	1755199	Decal Interlock (4)	1
84	1748835	Bushing	2
85	1746607	Tube, Plastic (3) (4)	1
86	• 1186424	Pop Rivet .125 Dia.	2
87	• 1733398	Lock Nut 3/8-16 (3) (4)	2
88	• 1100241	Lock Washer, 1/4	2
89	1721790	Spacer (1) (2)	2
90	• 1186391	Flange Nut 5/16-18 (1) (2)	2
91	1752107	Lower Control Rod (2) (3) (4)	1
92	1752106	Upper Control Rod (2) (3) (4)	1
93	1746515	Resister Assembly	2
94	1746516	Clamp	2
95	•	7.5 Amp. ato fuse	1

- (1) 624 S/N 0100101 thru 0101556
- (2) 624 S/N 0101557 thru 0199999
- (3) 624 S/N 0200101 thru 0299999
- (4) 624 S/N 0300101 thru 0399999

• Common Hardware - Purchase Locally

24 INCH SNOW THROWER

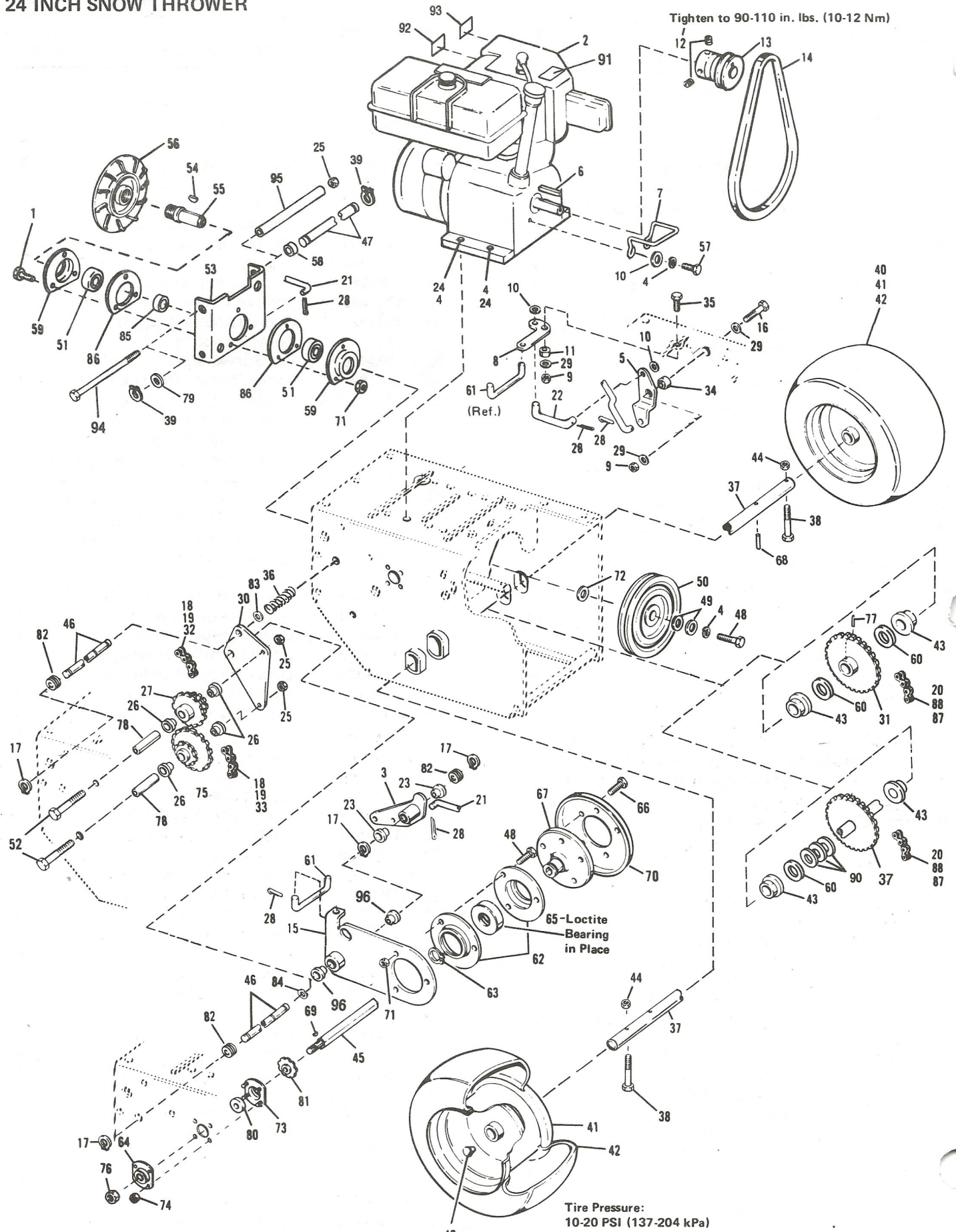


Figure 2 ENGINE AND DRIVE ASSEMBLY
4

24 INCH SNOW THROWER

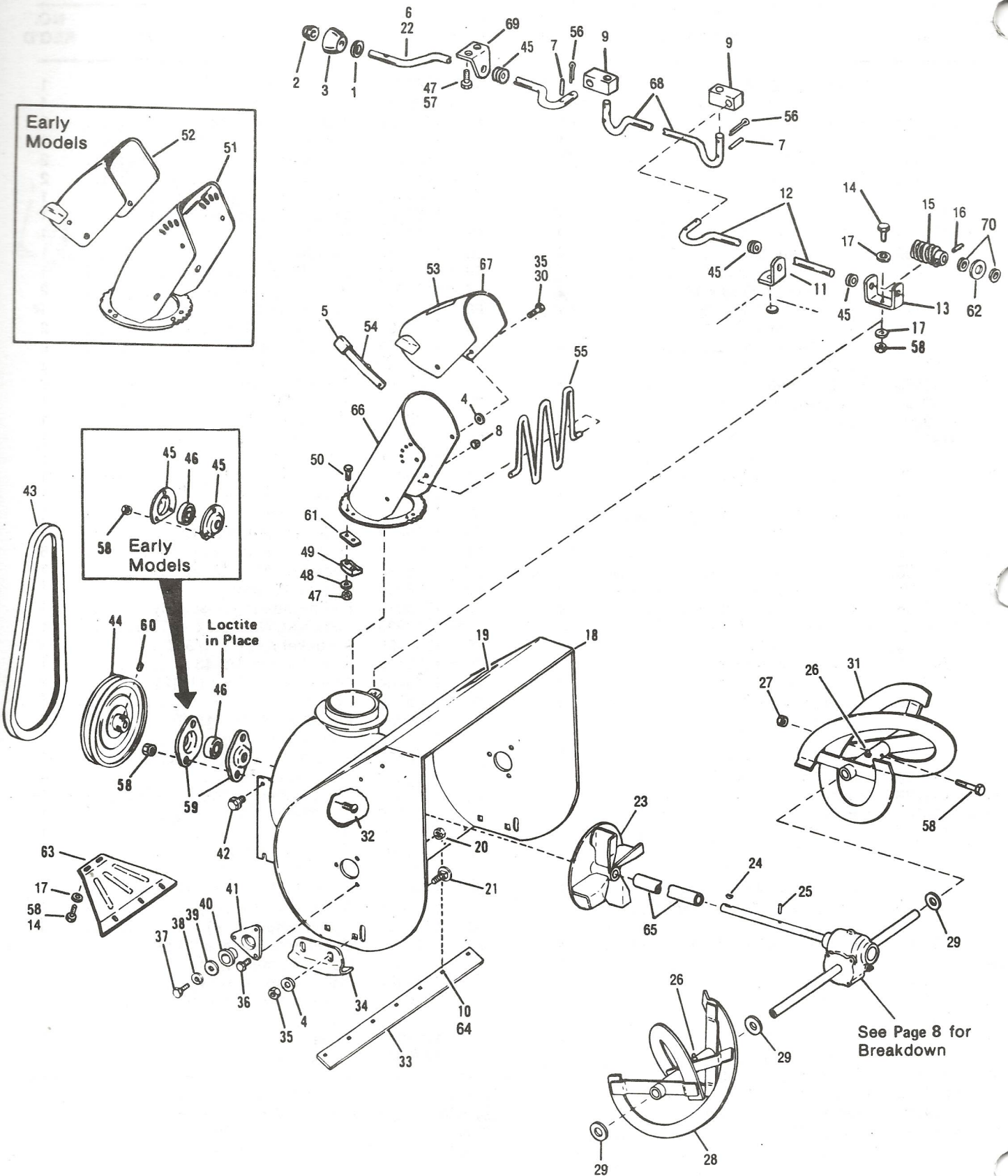


Figure 3 BLOWER HOUSING ASSEMBLY

REF. NO.	PART NO.	DESCRIPTION	NO. REQ'D
1	1890945	Flat Washer, 3/8	1
2	1724791	Cap, Push On	1
3	1735868	Knob	1
4	• 1107383	Flat Washer, 3/8	6
5	1730214	Grip (1) (2) (3)	1
	1737497	Grip (4)	1
6	1736691	Chute Control Crank (1) (2)	1
7	• 1177625	Roll Pin, 1/8 x 3/4	6
8	1186048	Push Nut	2
9	1714782	Swivel Block (1) (2)	1
	1714782	Swivel Block (3) (4)	2
10	• 1186391	Lock Nut, 5/16-18	5
11	1745417	Crank Support (1) (2)	1
	1754424	Crank Support (3) (4)	1
12	1739795	Chute Control Shaft (1) (2)	1
	1754432	Chute Control Shaft (3)	1
	1756141	Chute Control Shaft (4)	1
13	1735869	Gear Support	1
14	• 1100044	Hex Head Capscrew, 5/16-18 x 3/4	4
15	1724870	Worm, 6 Thread, L.H	1
16	1724855	Drive Pin, 3/32 x 3/4	1
17	• 1107382	Flat Washer, 5/16	4
18	1745815	Housing (1)	1
	1751086	Housing w/Decal (2) (Incl. Ref. 19)	1
	1754871	Housing w/Decal (3) (Incl. Ref. 19)	1
	1756645 BDG	Housing w/Decal (4) (Incl. Ref. 19)	1
19	1750691	Decal (Warning)	1
20	• 1734398	Lock Nut, 1/4-20	6
21	• 1186126	Carr. Bolt, 3/8-16 x 3/4	4
22	1754434	Chute Control Rod (3) (4)	1
23	1745799	Fan	1
24	1104436	Woodruff Key, 3/16 x 3/4	1
25	• 1185348	Roll Pin, 1/4 x 1-1/4	2
26	• 1185803	Grease Fitting	4
27	1720867	Shear Bolt	2
28	1725116	Auger, Left Hand	1
29	1185816	Special Washer, 1-1/64 Diameter	6
30	• 1100068	Hex Head Capscrew, 3/8-16 x 3/4	2
31	1725117	Auger, Right Hand	1
32	• 1186098	Carriage Bolt, 5/16-18 x 3/4	2
33	1740553	Scraper Blade	1
34	1728567	Runner	2
35	1733398	Lock Nut, 3/8-16	6
36	• 1111599	Hex Head Capscrew, 1/4-20 x 5/8	6
7	• 1100053	Hex Head Capscrew, 1/2-13 x 3/4	2

REF. NO.	PART NO.	DESCRIPTION	NO. REQ'D
38	• 1100245	Lockwasher, 1/2	2
39	• 1100257	Flat Washer, 1/2	2
40	1185846	Flange Bushing	2
41	1720922	Bearing Support	2
42	1185798	Flange Whiz Lock Screw, 3/8-16 x 1/2	2
43	1739944	V-Belt, 38"	1
44	1725282	Auger Sheave	1
45	1714243	Nylon Bushing (2)	1
	1714243	Nylon Bushing (3) (4)	3
46	1741640	Ball Bearing	1
47	1737938	Lock Nut, No. 10-24	6
48	• 1103959	Flat Washer, No. 10	AR
49	1724869	Clip	3
50	1752461	Hex Head Sems Machine Screw, No. 10-24 x 7/8	8
51	1724867	Duct Assembly (1) (2)	1
52	1751087	Deflector Cap w/Decal (Incl. Ref. 53) (1) (2)	1
53	1750692	Decal (Warning)	1
54	1723643	Adjusting Lever	1
55	1722501	Guard, Chute (1) (2)	1
	1743387	Guard, Chute (3) (4)	1
56	• 1185147	Cotter Pin, 3/32 x 1/2	3
57	1737940	Truss Screw 10-24 x 3/8 (3) (4)	2
58	1732499	Lock Nut 5/16-28	8
59	1185838	Flange Bearing	2
60	1737419	Set Screw 5/16-18 x 3/4	2
61	1752460	Shim (2) (3) (4)	4
62	1724892	Bowed Washer (2) (3)	1
63	1754572	Support Housing (3) (4)	1
64	• 1186097	Carriage Bolt 5/16-18 x 5/8	5
65	1753357	Sleeve (3)	1
	1755749	Sleeve (4)	1
66	1753935BDG	Discharge Chute Ass'y (3)	1
	1753935	Discharge Chute Ass'y (4)	1
67	1754799	Discharge Cap w/Decal (3)	1
	1756642	Discharge Cap w/Decal (4)	1
68	1754433	Chute Control Crank (3) (4)	1
69	1754369	Chute Control Support (3) (4)	1
70	1737957	Nylon Washer (4)	2

- (1) 624 S/N 0100101 thru 0101556
- (2) 624 S/N 0101557 thru 0199999
- (3) 624 S/N 0200101 thru 0299999
- (4) 624 S/N 0300101 thru 0399999

• Common Hardware - Purchase Locally

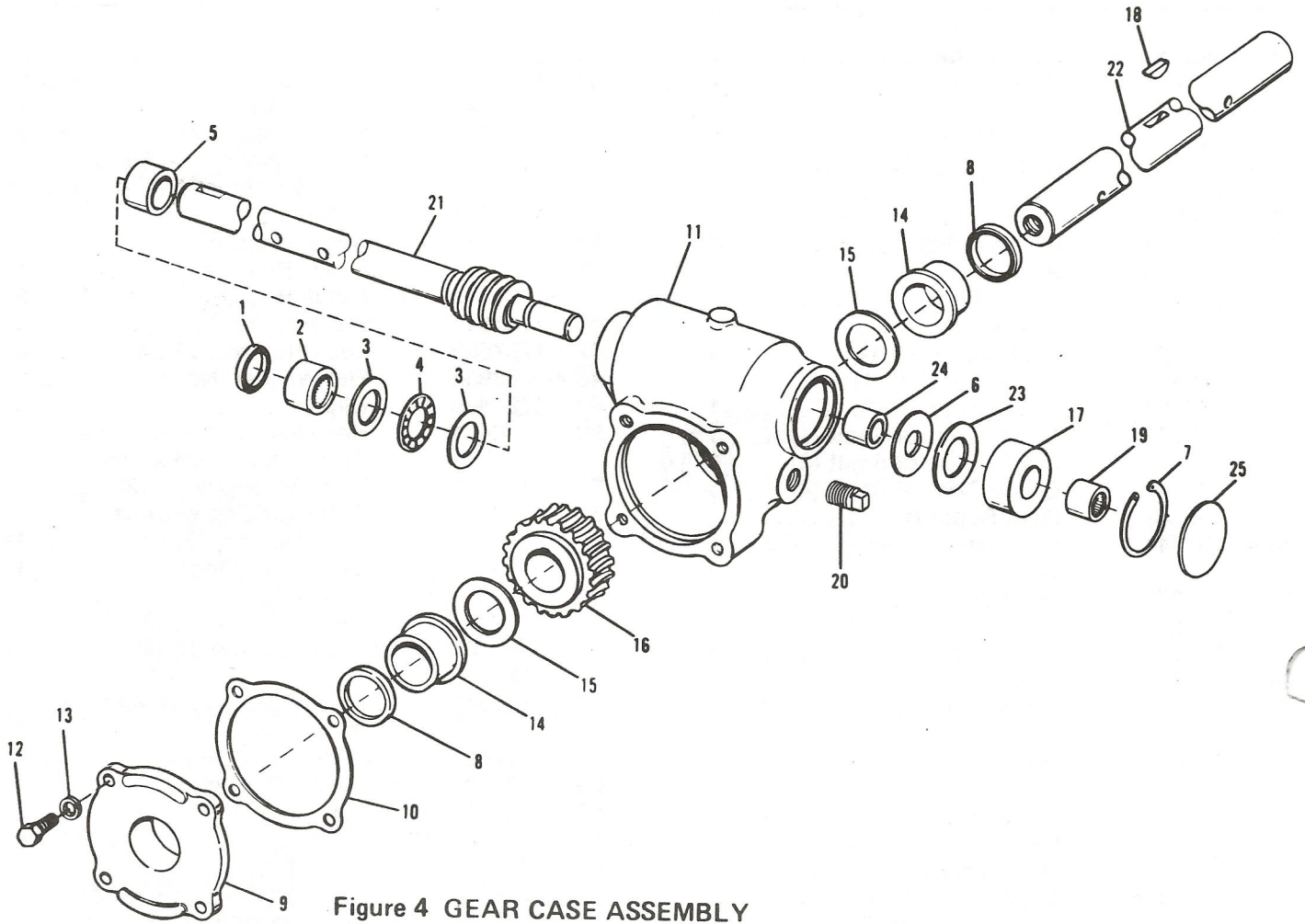


Figure 4 GEAR CASE ASSEMBLY

REF. NO.	PART NO.	DESCRIPTION	NO. REQ'D.	REF. NO.	PART NO.	DESCRIPTION	NO. REQ'D.
1	1185224	Oil Seal	1	15	1185815	Thrust Race	2
2	1185374	Needle Bearing	1	16	1720933	Worm Gear, 20T	1
3	1185841	Thrust Race	2	17	1720763	Spacer	1
4	1185431	Thrust Bearing	1	18	1100276	Woodruff Key, 1/4 x 7/8	1
5	1741774	Spacer	1	19	1185568	Needle Bearing	1
6	1185842	Washer	1	20	1105620	Square Head Plug, 1/4-18 NPT	1
7	1118726	Retaining Ring, Internal	1	21	1729790	Impeller Shaft	1
8	1185266	Oil Seal	2	22	1721715	Auger Shaft	1
9	1720910	Gear Case Cover	1	23	1185840	Thrust Race	1
10	1720941	Cover Gasket	1	24	1741775	Spacer	1
11	1735894	Gear Case Only	1	25	1112634	Expansion Plug	1
12 •	1111599	Capscrew, 1/4-20 x 5/8	4				
13 •	1100241	Lockwasher, 1/4	4				
14	1185728	Flange Bearing	2				

• Common Hardware - purchase locally