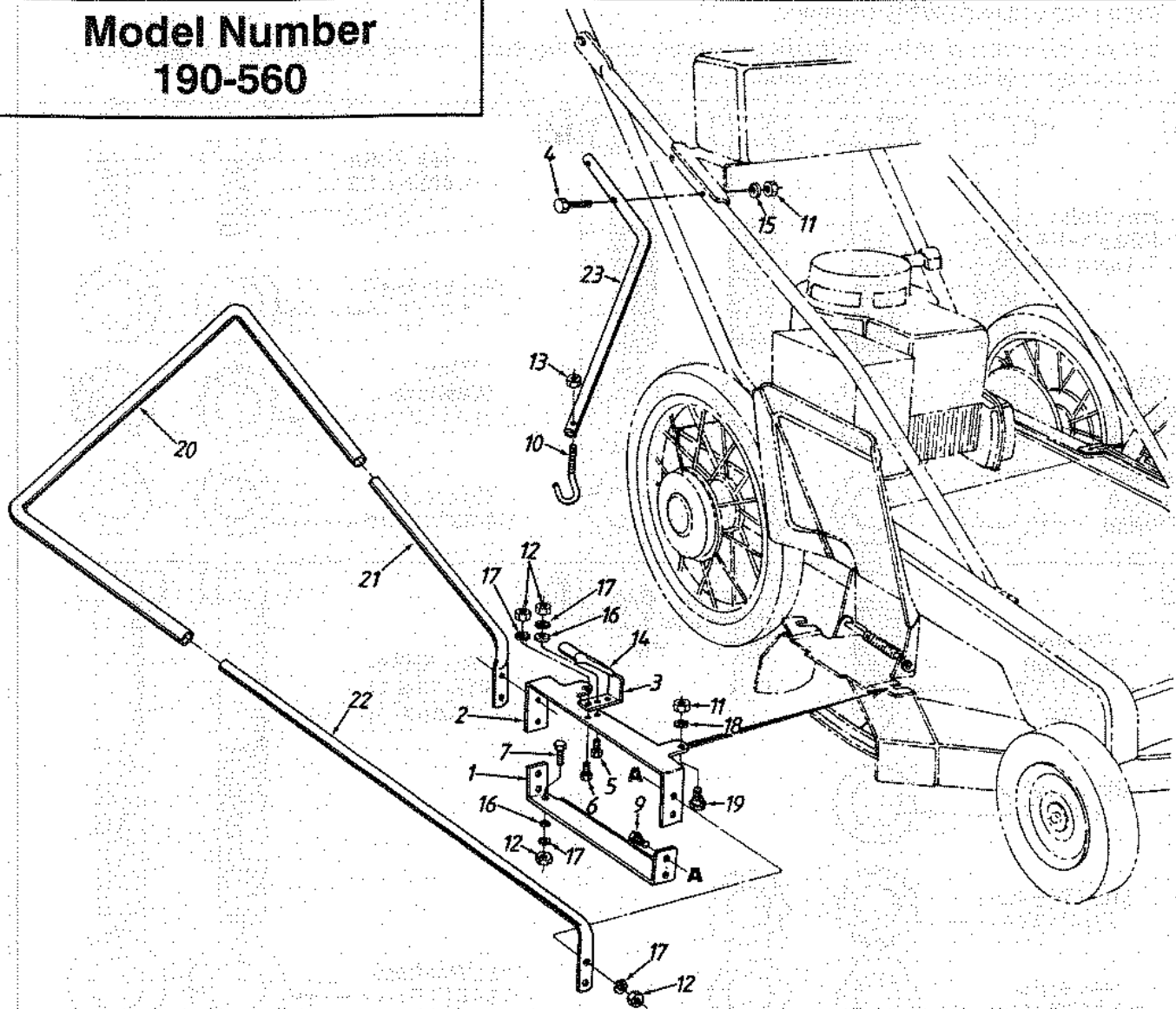


OWNER'S GUIDE

**Model Number
190-560**



PARTS LIST FOR MODEL 560 GRASS CATCHER

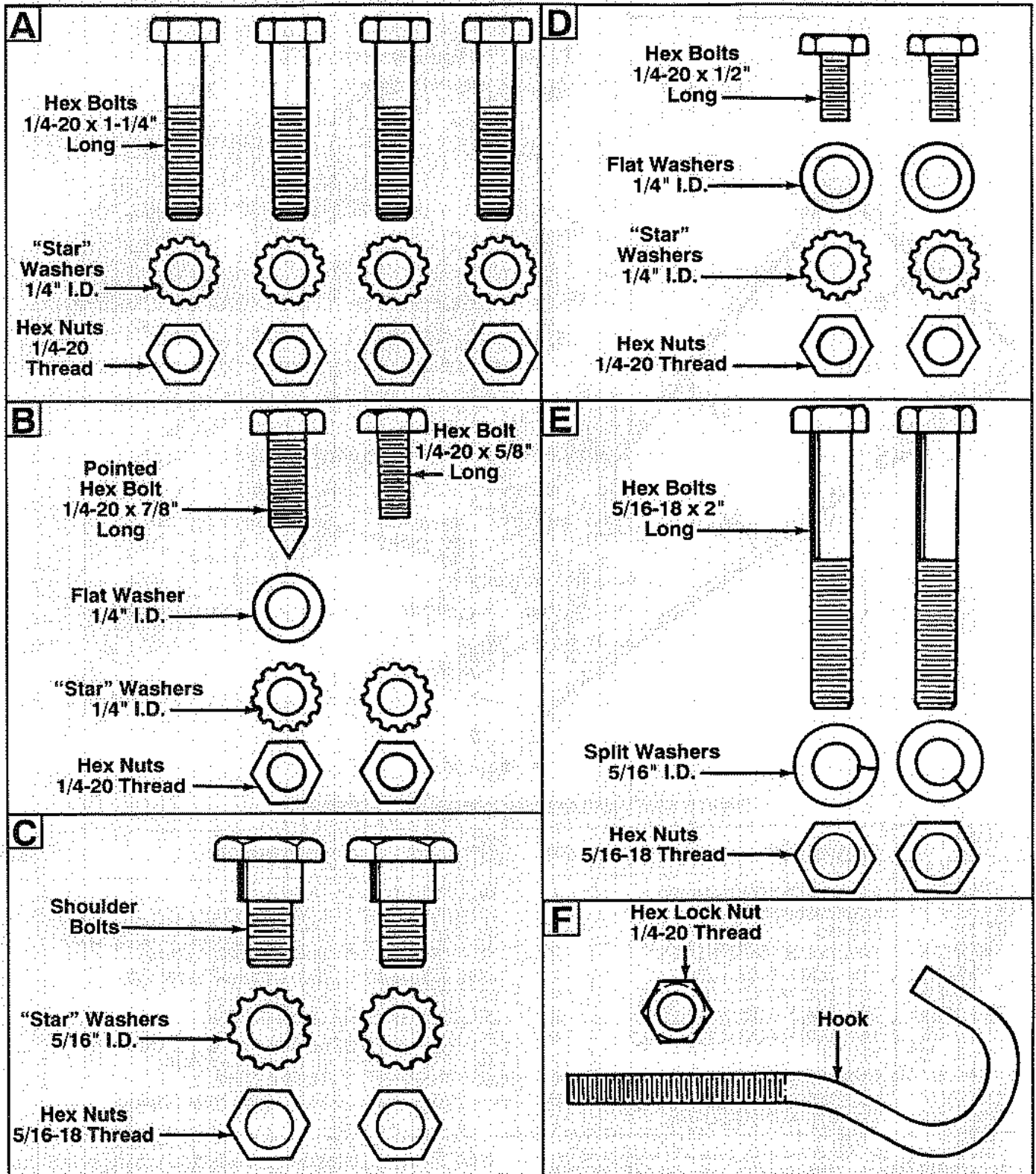
REF. NO.	PART NO.	DESCRIPTION	QTY.	REF. NO.	PART NO.	DESCRIPTION	QTY.
1	11702	Lower Opening Support	1	14	720-0142	Grip	1
2	11703	Upper Opening Support	1	15	736-0119	L-Wash. 5/16" I.D.*	2
3	11707	Handle	1	16	736-0142	Fl-Wash. .281" I.D. x .5" O.D.	3
4	710-0116	Hex Bolt 5/16-18 x 2" Lg.*	2	17	736-0222	Ext. L-Wash. 1/4" I.D.	8
5	710-0252	Hex Bolt 1/4-20 x .85" Lg.	1	18	736-0607	Ext. L-Wash. 5/16" I.D.	2
6	710-0258	Hex Bolt 1/4-20 x .62" Lg.*	1	19	738-0141	Shoulder Bolt	2
7	710-0289	Hex Bolt 1/4-20 x .5" Lg.*	2	20	749-0728	Upper Frame	1
9	710-0106	Hex Bolt 1/4-20 x 1.25" Lg.*	4	21	749-0729	Lower Frame	1
10	711-0576	Hook	1	22	749-0730	Lower Frame Arm	1
11	712-0267	Hex Nut 5/16-18 Thd.*	4	23	749-0731	Holding Arm	1
12	712-0287	Hex Nut 1/4-20 Thd.*	8	—	764-0241	Grass Bag (Not Shown)	1
13	712-0324	Hex Ins. Nut 1/4-20 Thd.	1				

*For faster service obtain standard nuts, bolts and washers locally. If these items cannot be obtained locally, order by part number and size as shown on parts list.

NOTE: Specifications subject to change without notice or obligation.

UNPACKING/CONTENTS OF HARDWARE PACK

1. Remove the grass catcher from the carton. Make certain all parts and literature have been removed from the carton before the carton is discarded.
2. Lay out the contents of the hardware pack according to the illustration for identification. (Hardware pack may contain extra items which are not used on your unit.)



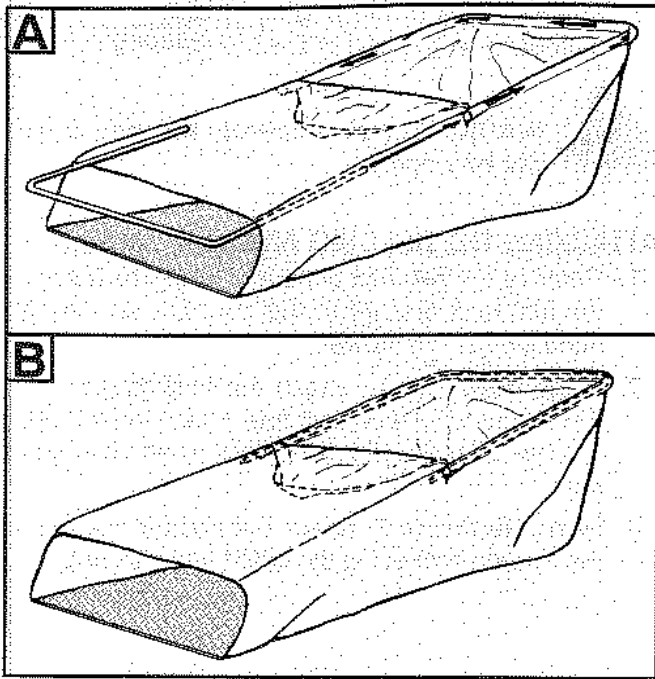


FIGURE 1.

ASSEMBLY INSTRUCTIONS

NOTE: Refer to illustration on page 1 when assembling.

ASSEMBLING THE GRASS CATCHER

1. Attach the grass bag to the upper frame (Ref. 20) as follows. See figure 1A.

- a. Place the end of the upper frame inside the grass catcher bag.
- b. Insert one end of the frame into the cloth channel inside the grass catcher bag. Feed all the material on one side of the frame before working it around the frame.

When this step is completed, both ends of the upper frame should be inside the bag. See figure 1B.

2. Slide the ends of the upper frame over the ends of the lower frame (Ref. 21) and lower frame arm (Ref. 22). The lower frame arm is the longer part and goes to the longer side of the bag.

When this step is completed, both lower frames should be inside the bag.

3. Using **Hardware A**, attach the upper opening support (Ref. 2) and lower opening support (Ref. 1) to the frame and grass bag as shown in figure 2. Insert hex bolt 1-1/4" long through upper and lower opening supports, lower frame and eyelet on grass bag. Secure with 1/4" star washer and hex nut. Secure both bolts on one side first, then the other side. Tighten finger tight only at this time.

4. Using **Hardware B**, attach the handle (Ref. 14) to the upper opening support as follows, using the holes shown in figure 2.

- a. Using the hole in the upper opening support closest to the grass bag, secure the handle with the 5/8" long hex bolt, 1/4" star washer and hex nut as shown in figure 2. Tighten securely.
- b. Insert the pointed hex bolt (7/8" long) up through opening support, handle and eyelet on grass bag as shown. Secure with 1/4" flat washer, star washer and hex nut. Tighten securely.

5. Attach **Hardware C** to the edge of the upper opening support as shown in figure 2. Tighten securely.

6. Using **Hardware D**, attach the lower opening support to the bottom of the grass bag as shown in illustration on page 2. Tighten securely.

7. Tighten the four bolts and nuts on the sides of the grass bag.

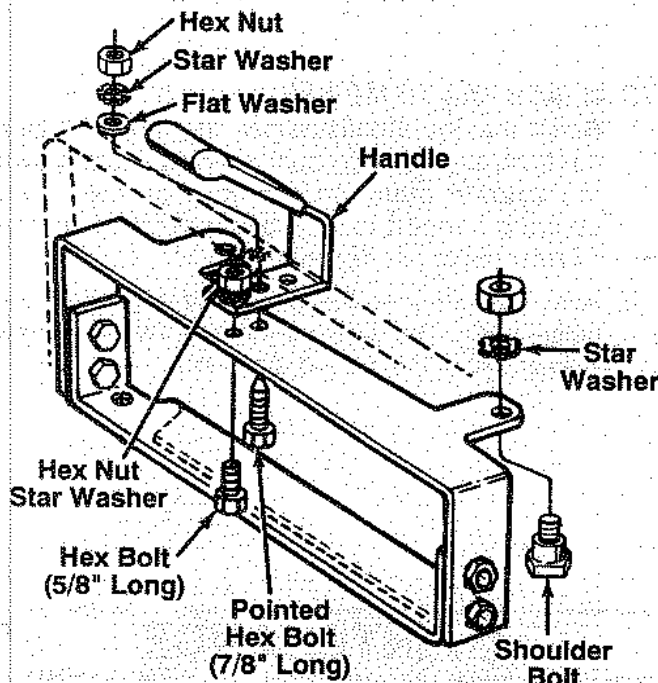


FIGURE 2.

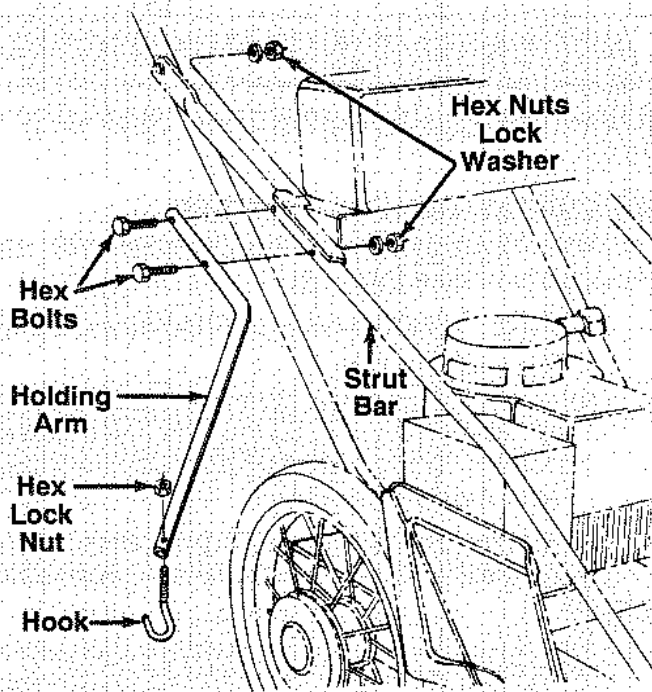


FIGURE 3.

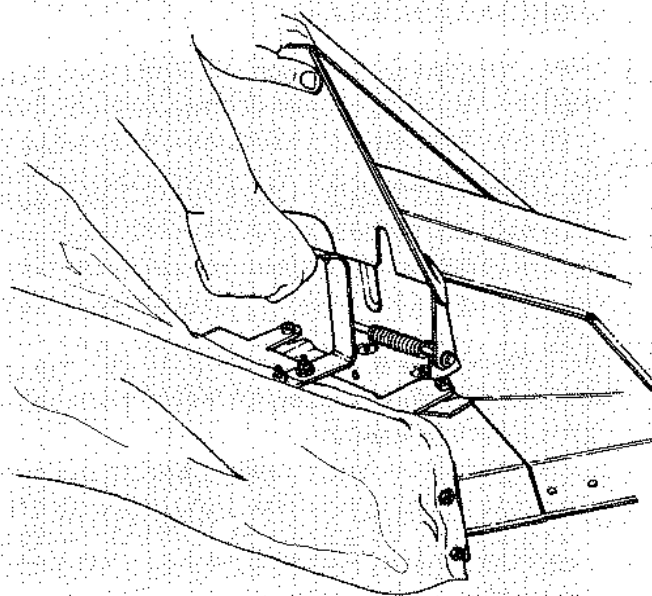


FIGURE 4.

- Close the top of the bag by stretching the loose material over the end of the upper frame.



WARNING: Never operate the mower with the bag open.

ATTACHING THE HOLDING ARM (See figure 3)

- Remove the two hex bolts and nuts which secure the fuel tank bracket to the strut bar on the right hand side of the mower.
- Using **Hardware E**, attach the holding arm (Ref. 23) to the strut bar and fuel tank bracket using two hex bolts 2" long, 5/16" lock washers and hex nuts.
- Using **Hardware F**, attach the hook to the end of the holding arm using the 5/16" hex lock nut.

TO ATTACH BAG TO MOWER

- Raise the chute deflector on the mower. Place the front edge of the upper opening support over the adapter plate, so the bolts on the upper opening support lock into the notches on the adapter plate. See figure 4.
- Attach the strap on the grass bag to hook on the holding arm. The different holes in the strap allow adjustment of the ground clearance.

MAINTENANCE

Wash grass bag periodically with water. Allow to dry thoroughly in the shade. **Do not** use heat.

NOTE: Under normal usage, the grass catcher is subject to wear and should be checked periodically. Be certain any replacement complies with the mower manufacturer's recommendations.