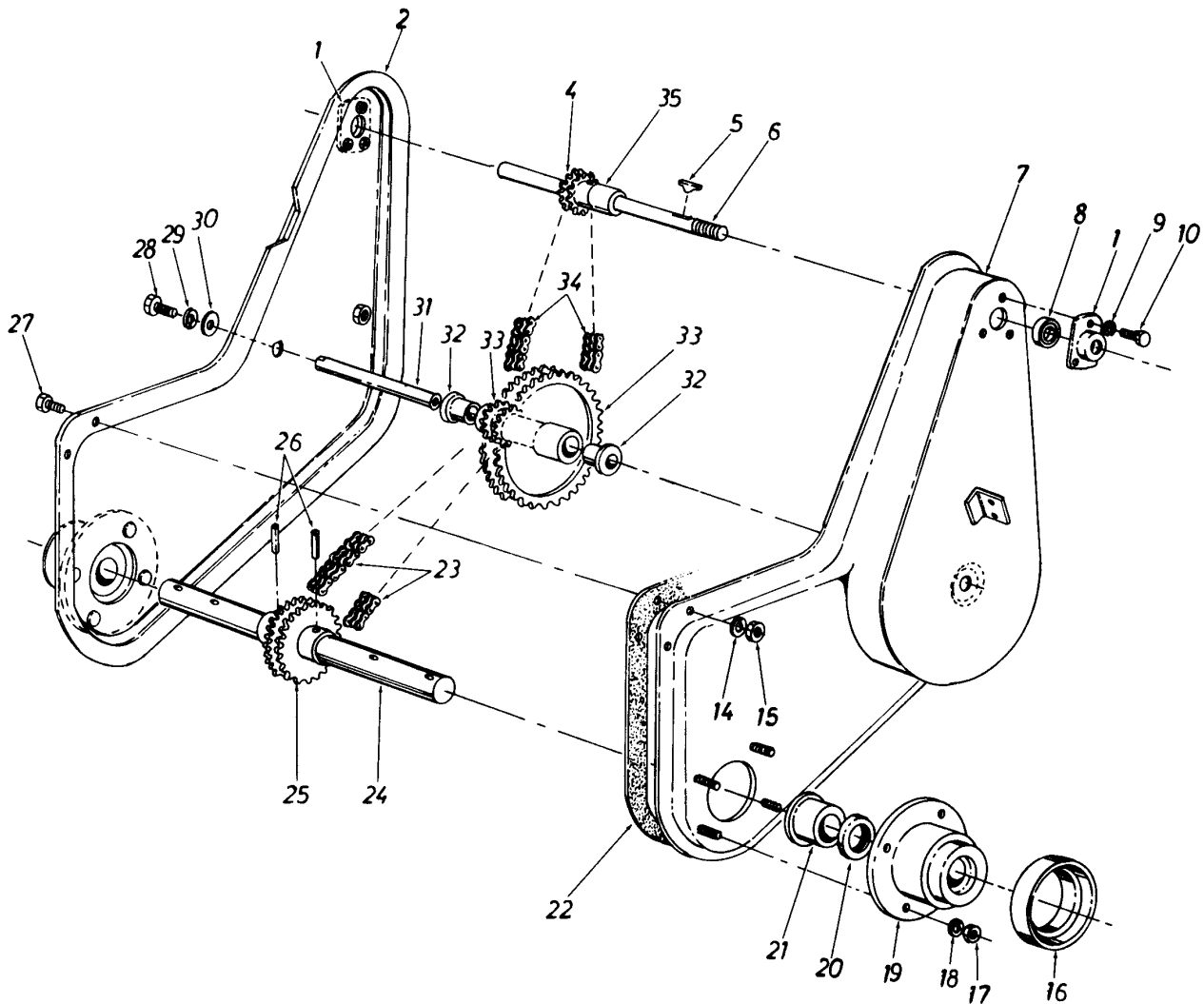


## SECTION 6: OPTIONAL EQUIPMENT

<b>ACCESSORIES</b>	<b>PART NUMBER</b>
Agricultural Traction Tires	OEM-190-859 OEM-190-865*
100 lb. Wheel Weights (2 per set / 50 lbs. each)	OEM-190-784
Electric Lift Kit	OEM-190-749

\*For use with 1997 or newer tractor.

# Model 758



## PARTS LIST FOR CHAIN CASE ASSEMBLY COMPLETE 04991

Ref. No.	Part No.	Code	Description	Ref. No.	Part No.	Code	Description
1	05034		Bearing Housing 1.375" Dia.	22	721-0119		Gasket
2	14895		Housing Assembly—R.H.	23	713-0150		Roller Chain #40-2 x 34.0" Lg.
5	714-0136		#6 Hi-Pro Key 5/32" x .62" Lg.	24	711-0506		Tine Shaft
6	14892		Input Shaft Assembly	25	717-0189		Double Sprocket T24-2 Teeth 1/2" Pitch
7	14894		Housing Assembly—L.H.	26	715-0125		Spiral Pin 3/8" Dia. x 2.00" Lg.
8	741-0155		Ball Bearing .62" I.D. x 1.38" O.D.	27	710-0258		Hex Bolt 1/4-20 x .62" Lg.*
9	736-0329		L-Wash. 1/4" I.D.*	28	710-0118		Hex Bolt 5/16-18 x .75" Lg.
10	710-0258		Hex Bolt 1/4-20 x .62" Lg.*	29	736-0119		L-Wash. 5/16" I.D.*
14	736-0329		L-Wash. 1/4" I.D.	30	736-0195		FI-Wash. 5/16" I.D.
15	712-0287		Hex Cent. L-Nut 1/4-20 Thd.	31	711-0504		Sprocket Shaft
16	04973		Dust Cap Cover	32	748-0855		Flange Bearing .62" I.D. x .75" O.D.
17	712-0158		Hex Cent. L-Nut 5/16-18 Thd.	33	04529		Double Sprocket Assembly
18	736-0119		L-Wash. 5/16" I.D.*	34	713-0149		Roller Chain #35-2 x 36.75" Lg.
19	04530		Cast Bearing Housing	35	748-0192		Spacer 5/8" I.D. x 7/8" O.D.
20	721-0117		Oil Seal				
21	748-0194		Flange Bearing 1.25" I.D. x 1.75" O.D.				



# Model 758

Ref. No.	Part No.	Description	Ref. No.	Part No.	Description
1	725-0713	Safety Switch	48	754-0253	"V"-Belt (Kevlar)
2	725-1290	Wire Harness	49	756-0351	1/2" "V"-Pulley 4.75" O.D. x .625" Bore
3	725-1393	Adapter Harness			
5	714-0147	Internal Cotter Pin	50	736-0158	L-Wash. 5/8" I.D.*
6	736-0179	Fl-Wash. 1/2" I.D. x .93" O.D.	51	712-0221	Hex Ins. L-Nut 5/16-16 Thd.
7	638-0016	Link Rod Assembly	52	712-0375	Hex Cent. L-Nut 3/8-16 Thd.
8	732-0390	Extension Spring 1.25" O.D. x 12.75" Lg.	53	736-0140	Fl-Wash. 3/8" I.D.
			54	756-0293A	Idler Pulley 4.0" O.D.
9	714-0114	Sq. Key 1/4" x 1/4" x 2.00" Lg.	55	710-0314	Hex Bolt 7/16-20 x 1" Lg.
10	689-0004	Hitch Bar Assembly	56	736-0171	L-Wash. 7/16" I.D.*
11	712-0138	Hex Nut 1/4-28 Thd.*	57	736-0319	Fl-Wash. 7/16" I.D. x 1.38"
12	736-0329	L-Wash. 1/4" I.D.*	58	756-0350	1/2" "V"-Pulley .475" O.D. x 1.00" Bore
13	710-0195	Hex Bolt 1/4-28 x .62" Lg.			
14	04966	Support Frame Assembly	59	13819	Belt Guard
15	710-0429	Hex Hd. "B"-Tap Scr. #10 x .62" Lg.	60	710-0520	Hex Bolt 3/8-16 x 1.50" Lg.*
			61	712-0158	Hex Cent. L-Nut 5/16-18 Thd.
16	727-0225	#2 Dog Chain x 20" Lg. (2 Req'd.)	62	710-0780	Hex Bolt 7/16-14 x 2.00" Lg.
17	710-0623	Hex Wash. Hd. Self-Tap Scr. 3/8-24 x .75" Lg.	63	04970	Tine Adapter Assembly
			64	742-0243	Tine—L.H.
18	736-0169	L-Wash. 3/8" I.D.*	65	731-0374	Flange Bearing 1.00" I.D.
19	04978	Swivel Wheel Support	66	748-0276	Spacer
20	736-0188	Fl-Wash. 3/4" I.D. x 1.50" O.D.	67	736-0281	Thrust Wash. 1/2" I.D. x 1.55"
21	741-0382	Flange Bearing 3/4" I.D. x 1.00" O.D.	68	742-0244	Tine—R.H.
			69	04995	Tine Assembly Comp.—L.H.
22	04981	Swivel Wheel Caster	70	712-0241	Hex Nut 3/8-24 Thd.*
23	734-0979	Wheel Assembly 10.0 x 2.75	71	736-0119	L-Wash. 5/16" I.D.*
24	738-0476	Shoulder Bolt .623" I.D. x 3.62" Lg.	72	710-0459	Hex Bolt 3/8-24 x 1.5" Lg.*
25	712-0290	Hex Cent. L-Nut 7/16-14 Thd.	73	712-0290	Hex Cent. L-Nut 7/16-14 Thd.
26	04985	L.H. Shield Hinge Flap	74	04991	Chain Case Ass'y. Comp.
	04986	R.H. Shield Hinge Flap (Not Shown)	75	04996	Tine Assembly Comp.—R.H.
			76	710-0376	Hex Bolt 5/16-18 x 1.00" Lg.*
27	714-0115	Cotter Pin 1/8" Dia. x 1.00" Lg.*	77	712-0267	Hex Nut 5/16-18 Thd.*
28	747-0340	L.H. Flap Rod	78	710-0237	Hex Bolt 5/16-24 x .62"
	747-0339	R.H. Flap Rod (Not Shown)	80	04988A	Clutch Support Bracket
29	710-0258	Hex Bolt 1/4-20 x .62" Lg.*	81	738-0296	Shld. Bolt .435" Dia. x .265" 5/16-18 Thd.
30	736-0173	Fl-Wash. 1/4" I.D.			
31	14891	Brace—Tine Shield	82	710-0412	Hex Bolt 1/4-28 x .75" Lg.
32	712-0287	Hex Nut 1/4-20 Thd.*	83	720-0142	Plastic Grip
33	710-0776A	Hex Wash. Hd. Self-Tap Scr. 1/4" x .62" Lg.	84	738-0183	Shoulder Bolt .498" Dia. x .212" Lg.
34	14890	Stabilizer Link	85	747-0378	Clutch Handle
35	710-0342	Hex Bolt 3/8-16 x 1.25" Lg.*	86	14298	Clutch Support Shroud
36	711-0469	Spacer .752" I.D. x 1.25" O.D.	87	04519	Engine Mounting Bracket
37	712-0158	Hex Cent. L-Nut 5/16-18 Thd.	90	710-0201	Hex Bolt 3/8-16 x .62" Lg.
38	04987	Clutch Lever	92	04975	L.H.—Side Plate
39	747-0379	Clutch Rod		04976	R.H.—Side Plate (Not Shown)
40	738-0140	Shoulder Bolt 7/16" Dia. x 1.75"	93	04983	L.H.—Tine Shield
41	04992	Idler Bracket	94	04984	R.H.—Tine Shield
42	711-0310	Clevis Pin	95	710-0116	Hex Bolt 5/16-18 x 2.00" Lg.*
43	747-0342	Clutch Link 3.62" Lg.	96	—	8 H.P. Engine
44	738-0155	Shoulder Bolt .435" Dia. x .160"	97	738-0992	Hitch Rod
45	736-0273	Fl-Wash. .50" I.D. x 1.0" O.D. x .06	98	750-0336	Push Bar Sleeve .503" I.D. x .624" O.D.
46	732-0384	Extension Spring .62" O.D. x 6.12" Lg.	99	711-0770	Ferrule
47	712-0214	Hex Crown Nut 3/8-24 Thd.	100	736-0187	Flat Wash 5/8 ID x 1 1/4 OD
			101	714-0145	Hairpin clip