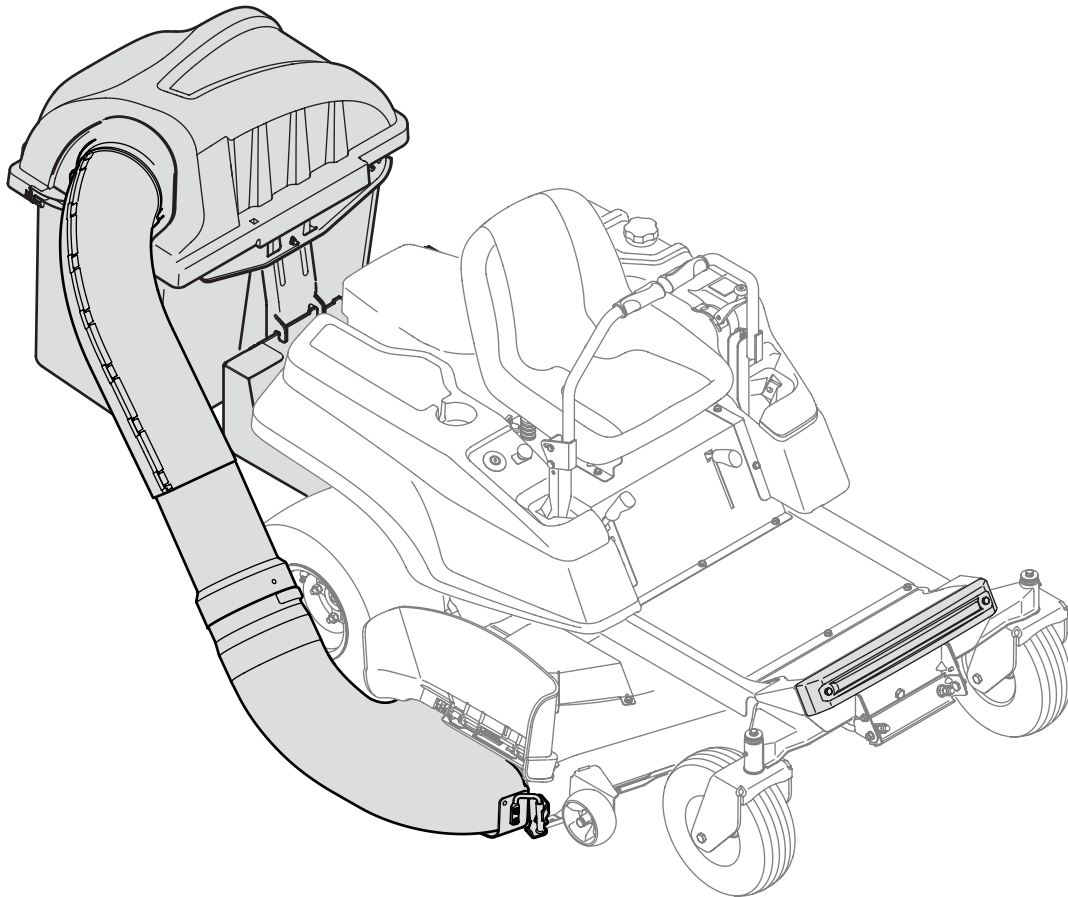


---

# OPERATOR'S MANUAL

---



## Twin Rear Bagger - Model No. 19A70004OEM

### **⚠ WARNING**

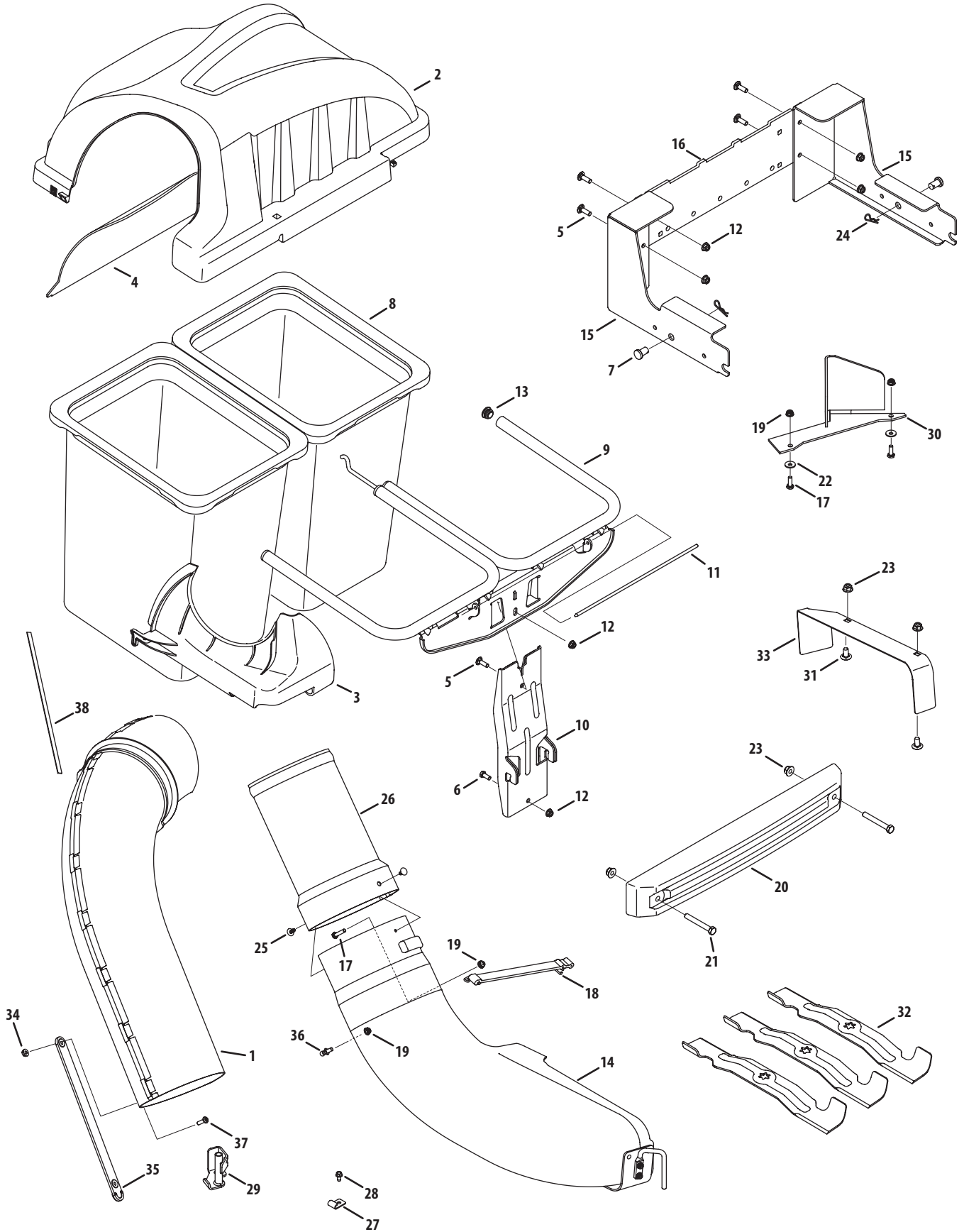
**READ AND FOLLOW ALL SAFETY RULES AND INSTRUCTIONS IN THIS MANUAL  
BEFORE ATTEMPTING TO OPERATE THIS MACHINE.  
FAILURE TO COMPLY WITH THESE INSTRUCTIONS MAY RESULT IN PERSONAL INJURY.**

---

MTD LLC, P.O. BOX 361131 CLEVELAND, OHIO 44136-0019

---

# 19A700040EM Parts List



<b>Ref.</b>	<b>Part Number</b>	<b>Description</b>
1.	631-04295A	Upper Chute Assembly
2.	931-04292	Twin Bagger Cover Assembly
3.	731-06497	Upper Chute Support
4.	731-06504	Bagger Cover Screen
5.	710-0276	Carriage Screw, 5/16-18 x 1.00"
6.	710-3008	Hex Head Screw, 5/16-18 x .75"
7.	911-0332	Clevis Pin, .50" Dia.
8.	964-04096	Grass-bag Assembly
9.	683-04461-0637	Twin Bag Support Assembly
10.	683-04519-0637	Vertical Support Bracket
11.	711-04988	Cover Hinge Pin
12.	712-04063	Flange Lock Nut, 5/16-18
13.	735-0246A	End Plug
14.	631-04300A	Discharge Chute Elbow
15.	689-00111	RZT Hitch Bracket Kit (RH & LH)
16.	783-06168-0637	Universal Cross Bracket
17.	710-3015	Hex Head Screw, 1/4 - 20 x .75
18.	723-0476	Chute Strap
19.	712-04064	Flange Lock Nut, 1/4 - 20
20.	719-04271A	Bagger Weight
21.	710-3022	Hex Head Screw, 3/8 - 16 x 2.75
22.	736-0270	Belleville Washer
23.	712-04065	Flange Lock Nut, 3/8 - 16
24.	914-04023	Cotter Pin, .080 x 1.5625 Internal
25.	726-3046	Ratchet Clip, .250
26.	731-06611	Bagger Chute Adapter, 8 x 13.5
27.	96606	Retainer Hook Bracket
28.	710-0599	Self-Tap Screw, 1/4-20 x .500
29.	683-0617A-0637	Chute Stop Bracket
30.	703-05783-0637	Deck Baffle, 50"
31.	710-3168	Carriage Bolt, 3/8-16 x 1.00
32.	742-04056C-0637	Bagging Blade, 17.90 Lg. Star
33.	783-06694-0637	Chute Discharge Plate
34.	912-3027	Flange Lock Nut, 1/4-20
35.	723-04009A	Chute Strap
36.	911-04069	Grass-catcher Pin
37.	710-0924	Machine Screw, 1/4-20
38.	721-04388	Adhesive Strip