

Operator's Manual

Sleeve Hitch with Electric Lift

For FastAttach™ Compatible Garden Tractors

Model
OEM-190-824

For Use With

OEM-190-804	42-inch Heavy Duty Rear Blade
OEM-190-825	28-inch tiller
OEM-190-978	10-inch Mulboard Plow
OEM-190-980	Single-disc Harrow
OEM-190-984	Row Crop Cultivator

MTD PRODUCTS INC. P.O. BOX 368022 CLEVELAND, OHIO 44136-9722

PRINTED IN U.S.A.

FORM NO. 770-10210A
(2/99)

SECTION 1: FINDING YOUR MODEL NUMBER

This Operator's Manual is an important part of your new Sleeve Hitch attachment. Please read and understand what it says.

Before you start to prepare your attachment for its first use, please locate the model plate and copy the information from it in this Operator's Manual. The information on the model plate is very important if you need help from your dealer or the MTD customer support department.

- Every attachment has a model plate. You can locate it by looking at the upper, right portion of the Sleeve Hitch Bracket Assembly. See Figure 1.

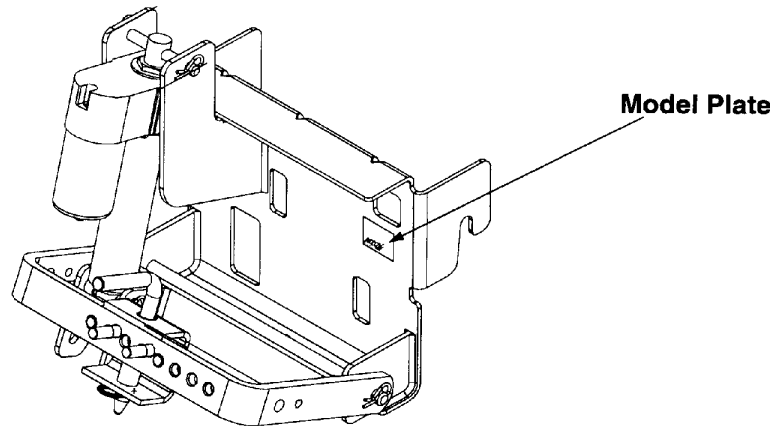


Figure 1

- An example of what the model plate will look like is shown below .

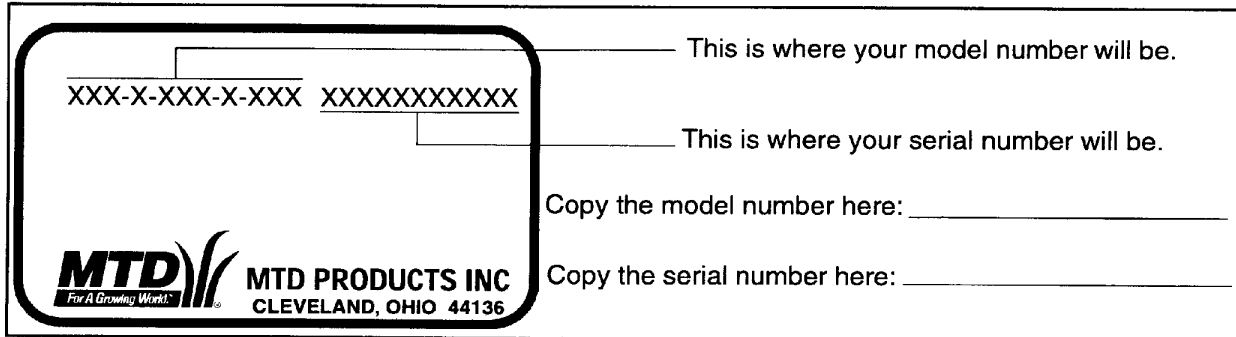


Figure 2

SECTION 2: CALLING CUSTOMER SUPPORT

- **LOCATE YOUR MODEL NUMBER AND SERIAL NUMBER** — Record this information in the space provided. To find your unit's specific model number and serial number, see SECTION 1: FINDING YOUR MODEL NUMBER.
- If you are having difficulty assembling this product or if you have any questions regarding the controls, operation or maintenance of this unit, please call the Customer Support Department.
- Customer Support can be reached by dialing: **1- (330) 220-4MTD (4683)**

or

1- (800)-800-7310

- Please have your model number and serial number ready when you call.
- Although both numbers are important, you will be asked to enter only your **serial** number before your call can be processed.

SECTION 3: TO THE OWNER

The Model 824 Sleeve Hitch is designed for use on FastAttach compatible™ Garden Tractors only. It is for use with the OEM attachments listed below.

Model Number	Description
OEM-190-825	28-inch tiller
OEM-190-984	Row Crop Cultivator
OEM-190-980	Single-disc Harrow
OEM-190-978	10-inch Mulboard Plow
OEM-190-804	42-inch tiller Heavy Duty Rear Blade

NOTE: References to LEFT and RIGHT indicate the left and right sides of the tractor when facing forward in the operator's position. Reference to the FRONT indicates the grille end; to the REAR the drawbar end.

SECTION 4: CONTENTS OF CARTON

Before beginning installation, remove all parts from the carton to make sure everything is present. Carton contents are listed below and shown in Figure 3. Hardware part number are shown in parentheses.

One Sleeve Hitch Assembly
 One Wire Harness with Toggle Switch
 One Hardware Pack containing the following:
 A: Two Shoulder Bolts (738-1020)
 B: Two Bell Washers (736-0407)

C: Two Flange Lock Nuts (712-0459)
 D: One Clevis Pin (711-0309)
 E: One Hairpin Clip (714-0117)
 F: Five Cable Ties (725-0157)

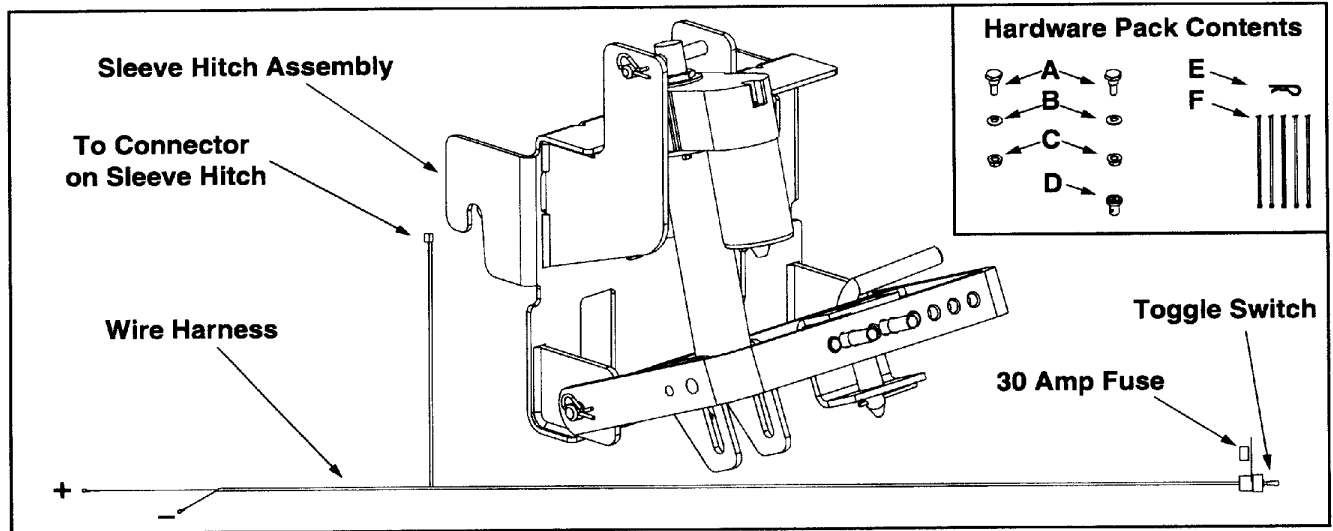


Figure 3

SECTION 5: ASSEMBLY



Warning: Before beginning installation, place the tractor on a firm and level surface. Place the PTO in the disengaged (OFF) position, stop the tractor engine and set the parking brake.

MOUNTING THE SLEEVE HITCH ASSEMBLY

1. Pivot the tractor's seat forward to expose the battery. Disconnect the cables from the battery and remove it, and the battery tray found beneath it, from the tractor.

IMPORTANT: Disconnect the NEGATIVE (Black) wire from its terminal first, followed by the POSITIVE (Red) wire. When re-installing, connect the POSITIVE (Red) wire first followed by the NEGATIVE (Black) wire.

2. Attach the shoulder bolt, bell washer and hex flange nut to the left side of hitch plate as show in Figure 4.
3. Repeat on the right side of the hitch plate.

NOTE: Your tractor may already be equipped with the shoulder bolts installed at the factory.

4. Position the hooked ends of the sleeve hitch assembly to the outside of the hitch plate and over the shoulder bolts. Refer to Figure 4.
5. Insert the clevis pin through the aligned holes provided in both the sleeve hitch assembly and the tractor hitch plate. Affix with the hairpin clip. Refer to Figure 4.

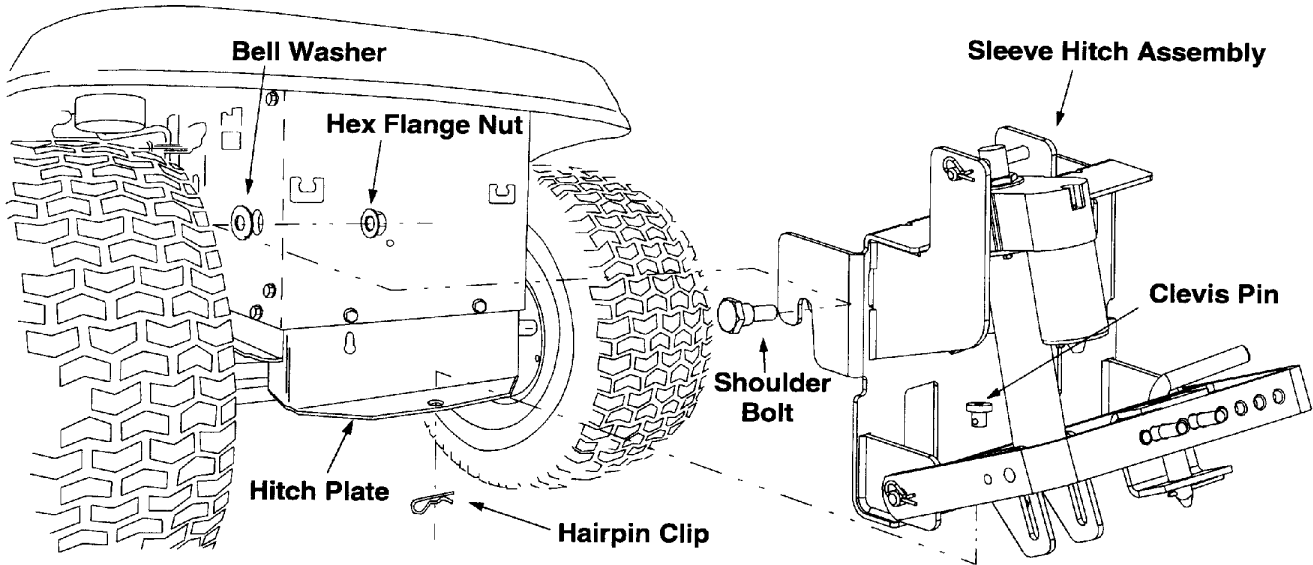


Figure 4

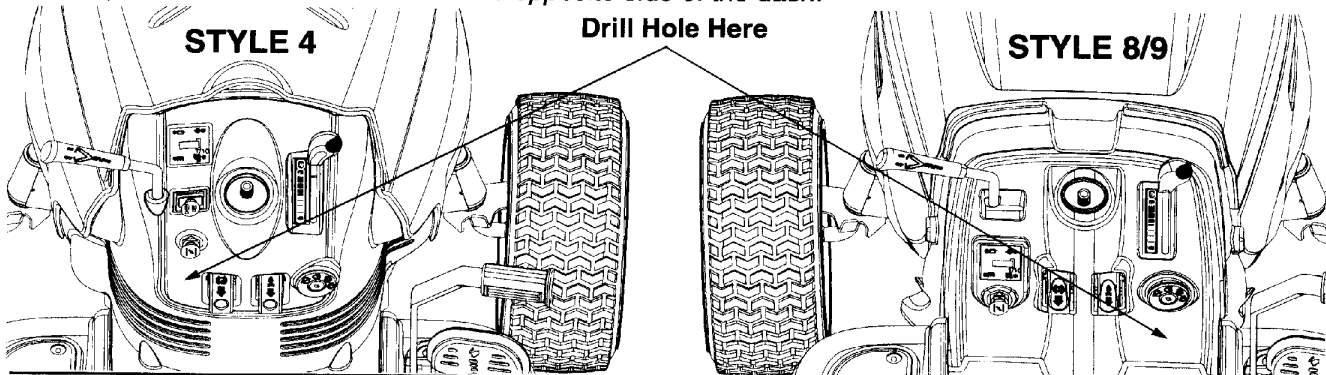
ATTACHING THE TOGGLE SWITCH & ROUTING THE WIRE HARNESS



WARNING: Turn the tractor's engine off, remove the key from the ignition switch to prevent accidental starting and apply the tractor's parking brake before performing the following steps.

1. Determine what style of dash your tractor has. Refer to Figure 5.
2. With the hood raised, mark a 1/2-inch diameter drill bit with masking tape at a depth of 1-1/2 inches and drill a hole through the front of the dash where the toggle switch will be mounted. Do NOT allow the bit to penetrate the dash beyond the taped mark.
 - On Style 4 dashes, drill approximately three inches below the choke knob (or plastic plug on units without a choke knob) to the left of the parking brake button. See Figure 5.
 - On Style 8/9 dashes, drill approximately two inches below the ignition switch on the right side of the dash. See Figure 5.

IMPORTANT: Be very cautious NOT to allow the drill bit to penetrate either the fuel tank or tractor wire harness, both of which are located on the opposite side of the dash.



NOTE: Both tractor dashes are shown with all available options. Yours may differ slightly.

Figure 5

3. Unthread and remove the jam nut from the toggle switch. Insert the toggle switch from the backside of the dash so that the threaded portion is exposed through the front. Position the switch so that the lettering stamped in the side of it is facing toward the left (from the operating position). Reattach the jam nut.

NOTE: On units equipped with a manual PTO, step 3 may be more easily performed if the fuel tank is first drained and removed.

4. Route the wire harness downward between the fuel tank and the dash toward the left side of the tractor's fender/running board. Use a cable tie (included in the hardware pack) to fasten the harness loosely to the dash support tube below the fuel tank. Do NOT fully tighten until after installation is complete.
5. Continue to route the wire harness beneath the left side of the fender/running board along the tractor's frame. Use additional cable ties to fasten the harness loosely to the frame utilizing holes found at various points along the frame.

NOTE: Hole locations in the tractor's frame will vary slightly with style.

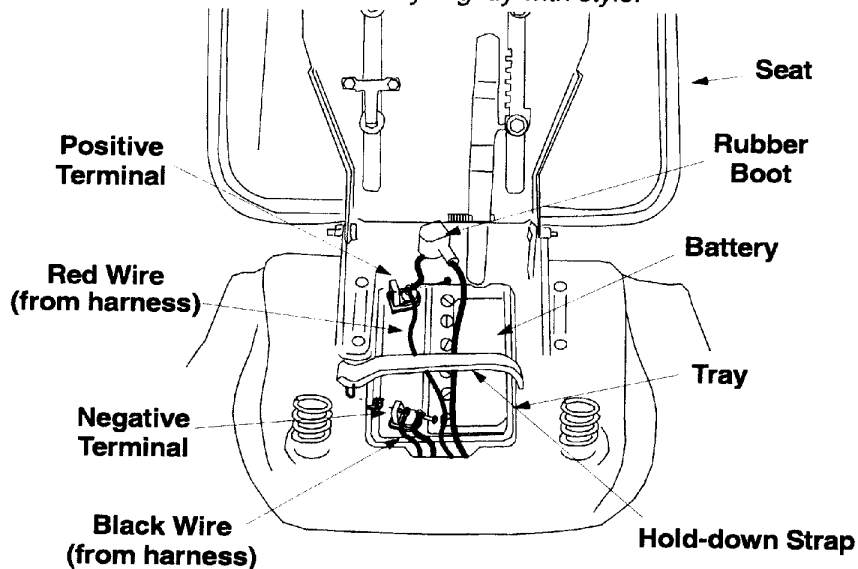


Figure 6

6. Once the battery and battery tray have been removed, route the harness up the side of the hitch plate and through the opening in the left side of it. The opening can be found to the right of the cup holder. See Figure 7.

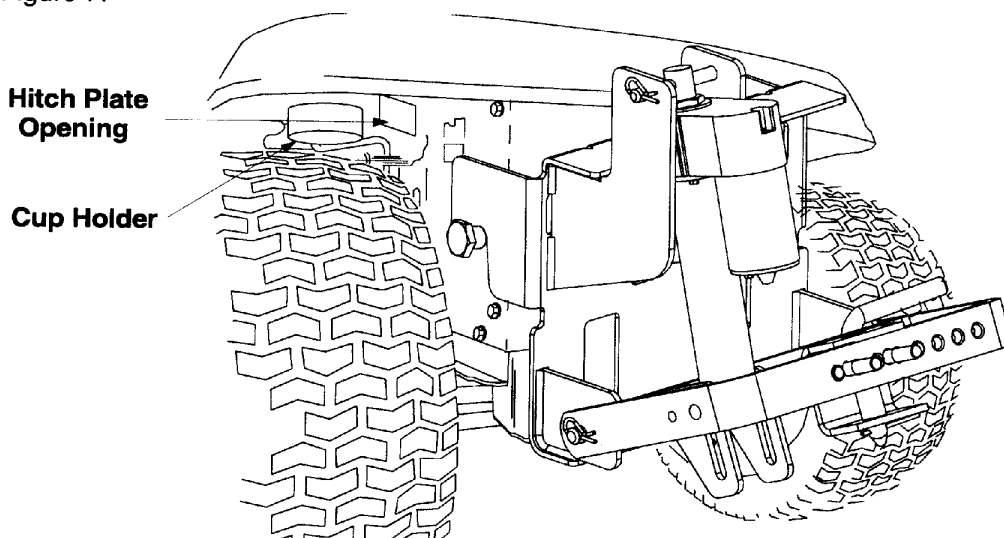


Figure 7

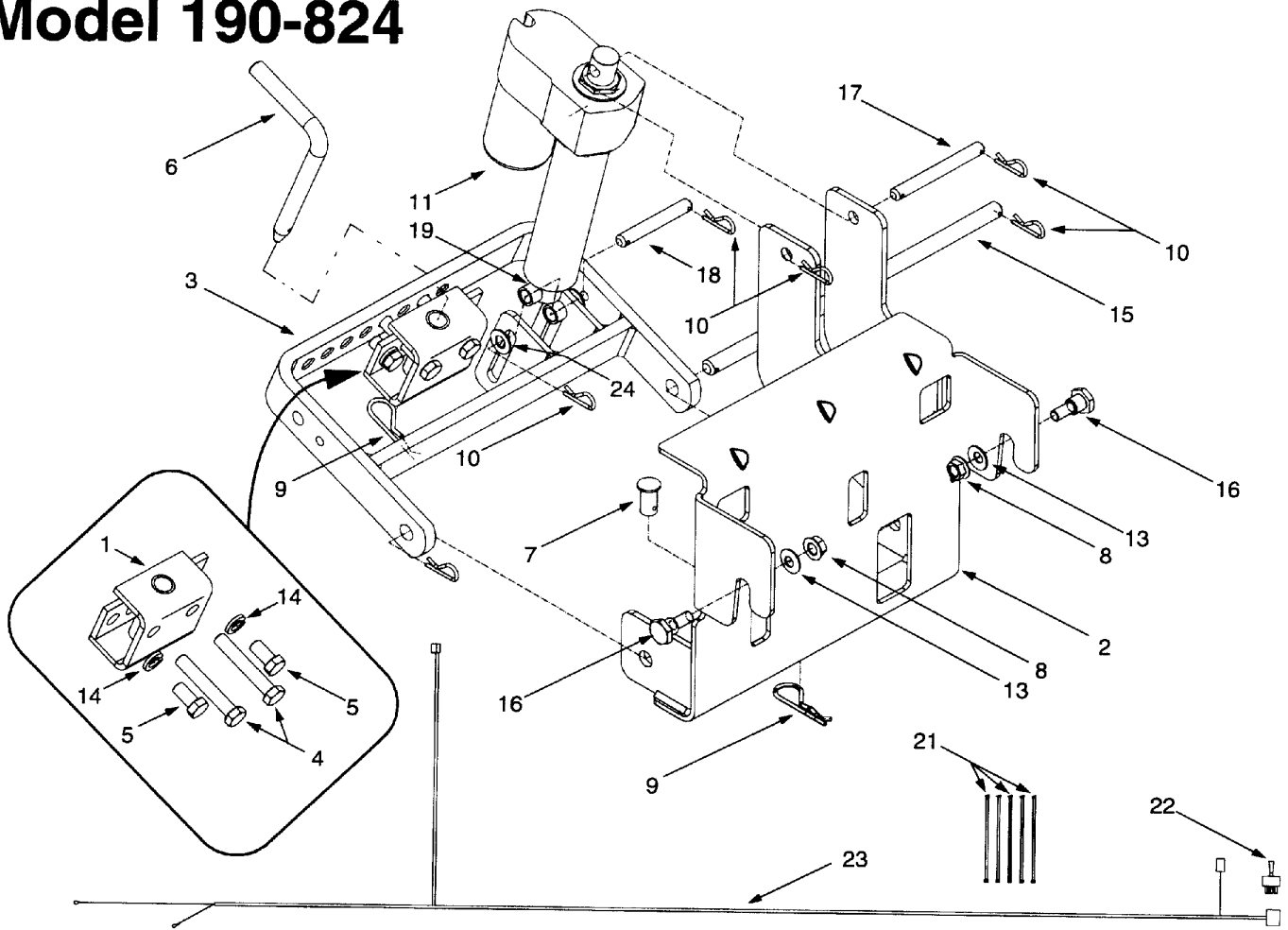
7. Reach through the battery tray opening and grasp the portion of the sleeve hitch wire harness containing the black wire and the red wire. Pull it up and toward the rear of the tractor and fasten it to the tractor's existing wire harness with a cable tie before replacing the battery tray and the battery. See Figure 6.

8. Reconnect the battery by first placing the red wire from the sleeve hitch wire harness on the hex screw of the Positive battery terminal followed by the thick red wire removed earlier. Use the hex nut removed earlier to affix both wires to the terminal before sliding the protective rubber boot down. See Figure 6.
9. Follow by placing the black wire from the sleeve hitch wire harness on the hex screw of the Negative battery terminal followed by the thick black wire removed earlier. Use the wing nut removed earlier to affix both wires to the terminal. See Figure 6.

IMPORTANT: *Be certain that all wires are connected to the proper terminal. Both Red wires should be affixed to the Positive (+) terminal and both Black wires should be affixed to the Negative (-) terminal. Reversing the tractor's wires could result in a polarity change and damage your engine's alternating system.*

10. The remaining portion of the sleeve hitch wire harness has a connector at its end. Attach this connector to the corresponding connector on the sleeve hitch assembly and use a cable tie to affix this portion of the harness to the frame BEHIND the rear left tire.
11. Gently pull any excess portion of the sleeve hitch wire harness toward the front of the tractor. Tuck excess between the dash and the side panel of the tractor beneath the fuel tank to prevent it from snagging on anything while operating the tractor.
12. Tighten all cable ties fastened to the harness during installation.

Model 190-824



REF. NO.	PART NO.	DESCRIPTION
1	13269	Hitch Bracket Assembly
2	683-0272	Sleeve Hitch Bracket Assembly
3	683-0273	Sleeve Hitch Assembly
4	710-0182	Hex Cap Screw, 1/2-13 x 3 (Grade 5)
5	710-3131	Hex Cap Screw, 1/2-13 x 1 (Grade 5)
6	711-0282	Hitch Pin
7	711-0309	Clevis Pin
8	712-0459	Hex Flange Lock Nut, 7/16-20
9	714-0117	Internal Cotter Pin, .148 x 3
10	714-0149B	Internal Cotter Pin
11	717-0620	Electromechanical Linear Actuator
12	736-0272	Flat Washer, .51 x 1.0 x .06
13	736-0407	Bell Washer, .45 x 1.0 x .062
14	736-0921	Lock Washer, 1/2
15	738-0482	Hitch Rod
16	738-1020	Shoulder Screw, .625 x .5, 7/16-20
17	747-1170	Upper Cylinder Support Rod
18	747-1171	Lower Cylinder Support Rod
19	750-1206	Spacer, .542 x .750 x .5
20	783-0668	Hitch Plate
21	725-0157	Cable Tie
22	725-1053	Toggle Switch
23	629-0919	Wire Harness
24	736-3084	Flat Washer, .51 x 1.12 x .060

MANUFACTURER'S LIMITED WARRANTY

For TWO YEARS from the date of retail purchase within the United States of America, its possessions and territories, the manufacturer will, at its option, repair or replace, for the original purchaser, free of charge, any part or parts found to be defective in material or workmanship. This warranty covers units which have been operated and maintained in accordance with the operating instructions furnished with the unit, and which have not been subject to misuse, abuse, commercial use, neglect, accident, improper maintenance or alteration.

Normal wear parts or components thereof are subject to separate terms as noted below in the "No Fault Ninety Day Consumer Warranty" clause.

All normal wear part failures will be covered on this product for a period of 90 days regardless of cause. After 90 days, but within the two year period, normal wear parts failures will be covered ONLY IF caused by defects in material or workmanship of OTHER component parts. Normal wear parts are defined as batteries*, belts, blades, blade adapters, grass bags, rider deck wheels, seats, snow thrower skid shoes, shave plates and tires.

How to obtain service: Warranty service is available, with proof of purchase, through your local authorized service dealer. To locate the dealer in your area, please check the yellow pages or contact the Customer Support Department of the manufacturer, P. O. Box 368022, Cleveland, Ohio 44136-9722. Phone 1-330-273-4683. The return of a complete unit will not be accepted by the factory unless prior written permission has been extended by the service department of the manufacturer.

Transportation charges: Transportation charges for the movement of any power equipment unit or attachment are the responsibility of the purchaser.

Units exported out of the United States: The manufacturer does not extend any warranty for products sold or exported outside of the United

States of America, its possessions and territories, except those sold through the manufacturer's authorized channels of export distribution.

Other Warranties:

1. The engine or component parts thereof carry separate warranties from their manufacturers. Please refer to the applicable manufacturer's warranty on these items.
2. *Batteries are covered by a 90-day replacement warranty.
3. Log splitter pumps, valves and cylinders or component parts thereof are covered by a one year warranty.
4. All other warranties, express or implied, including any implied warranty of merchantability or fitness for a particular purpose, are hereby expressly disclaimed in their entirety.
5. The provisions as set forth in this warranty provide the sole and exclusive remedy of the manufacturer's obligations arising from the sales of its products. The manufacturer will not be liable for incidental or consequential loss or damage.

How state law relates to this warranty: This limited warranty gives you specific legal rights, and you may also have other rights which vary from state to state. Certain disclaimers are not allowed in some states and therefore they may not apply to you under all circumstances.

NOTE: This warranty does not cover routine maintenance items such as lubricants, filters, blade sharpening and tune-ups, or adjustments such as brake adjustments, clutch adjustments or deck adjustments. Nor does this warranty cover normal deterioration of the exterior finish due to use or exposure.